



US00D389647S

United States Patent [19] White

[11] Patent Number: **Des. 389,647**
[45] Date of Patent: ****Jan. 27, 1998**

[54] TRAVEL CASE

[75] Inventor: **Kenneth E. White**, Long Grove, Ill.

[73] Assignee: **Travel Caddy/Champion, Inc.**,
Chicago, Ill.

[**] Term: **14 Years**

[21] Appl. No.: **55,851**

[22] Filed: **Jun. 14, 1996**

[51] LOC (6) Cl. **03-01**

[52] U.S. Cl. **D3/301; D3/285**

[58] Field of Search **D3/283, 284, 285,**
D3/286, 289, 301, 303; 190/100, 109, 110,
112, 115

[56] References Cited

U.S. PATENT DOCUMENTS

D. 320,308	10/1991	Whitworth	D3/284
D. 330,456	10/1992	Lehman	D3/301
D. 359,163	6/1995	Summerfield et al.	D3/295
D. 360,977	8/1995	Katz	D3/905
1,915,007	6/1933	Weiss	190/109
1,980,714	11/1934	Brady	190/109
2,554,215	5/1951	Schell et al.	190/109
2,631,632	3/1953	Leachman	190/109
2,674,288	4/1954	Laidlaw	190/109
4,386,642	6/1983	Durbin	190/110

Primary Examiner—Philip S. Hyder
Attorney, Agent, or Firm—Fitch, Even, Tabin & Flannery

[57] CLAIM

The ornamental design for a travel case, as shown and described.

DESCRIPTION

FIG. 1 is a perspective view of a travel case embodying my new design;
 FIG. 2 is a front elevational view thereof;
 FIG. 3 is an end elevational view from one end thereof;
 FIG. 4 is an end elevational view from the other end thereof;
 FIG. 5 is a bottom plan view thereof;
 FIG. 6 is a top plan view thereof;
 FIG. 7 is a rear elevational view thereof;
 FIG. 8 is a perspective view thereof showing the travel case in an open position;
 FIG. 9 is a top elevational view thereof;
 FIG. 10 is an end elevational view thereof;
 FIG. 11 is a rear elevational view similar to that of FIG. 7 but showing a second embodiment of the travel case with a handle attached;
 FIG. 12 is a perspective view thereof;
 FIG. 13 is a top elevational view of an alternative embodiment of a travel case, similar to that of FIG. 9, but with the removable pockets rearranged on the top lid and with the removable pocket removed on the bottom lid;
 FIG. 14 is a top elevational view similar to that of FIG. 13 but with the removable pockets shown in a different position; and,
 FIG. 15 is a top elevational view of a further alternative embodiment with the removable pockets rearranged on the top lid.

1 Claim, 4 Drawing Sheets

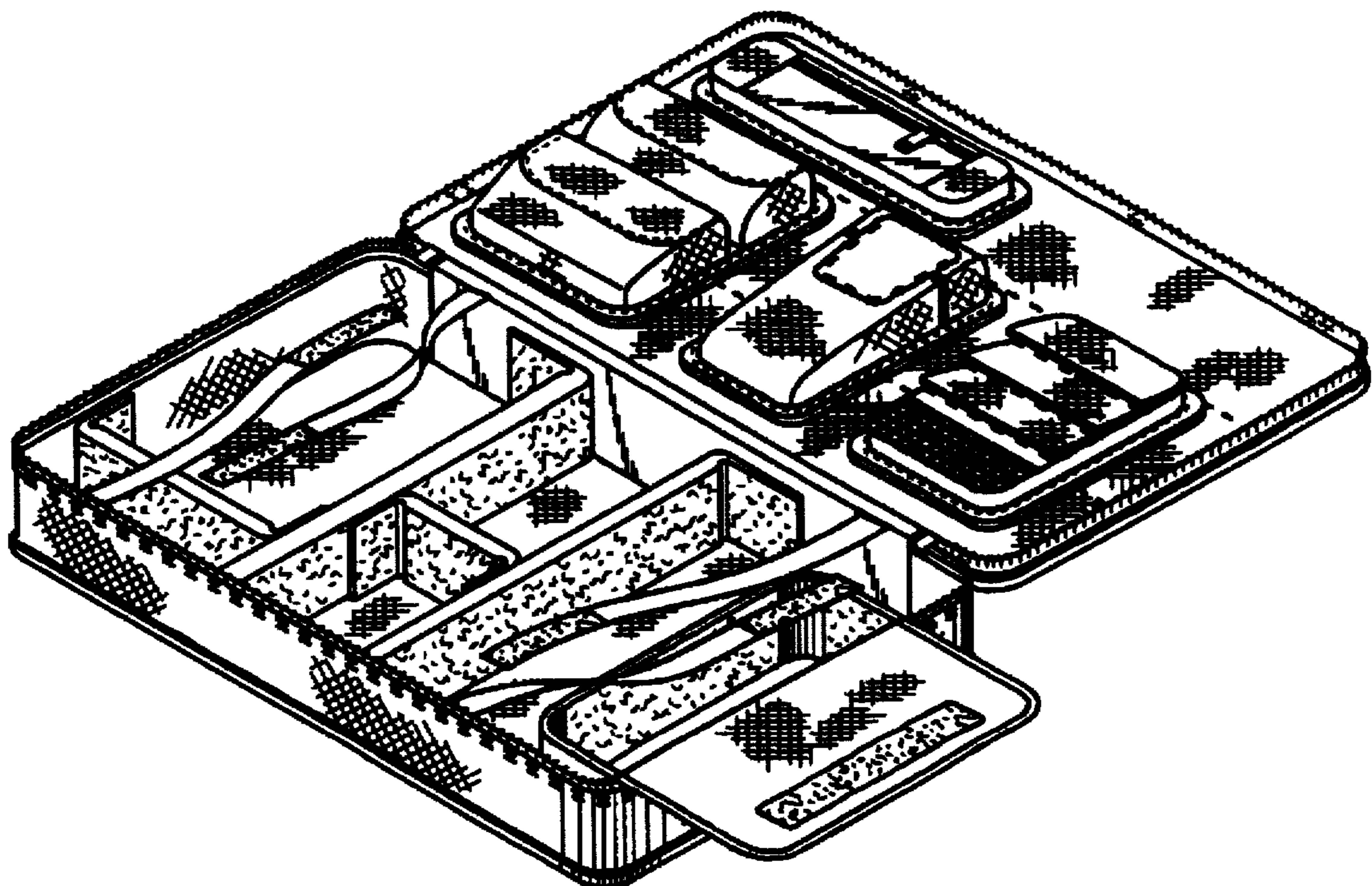


Fig. 1

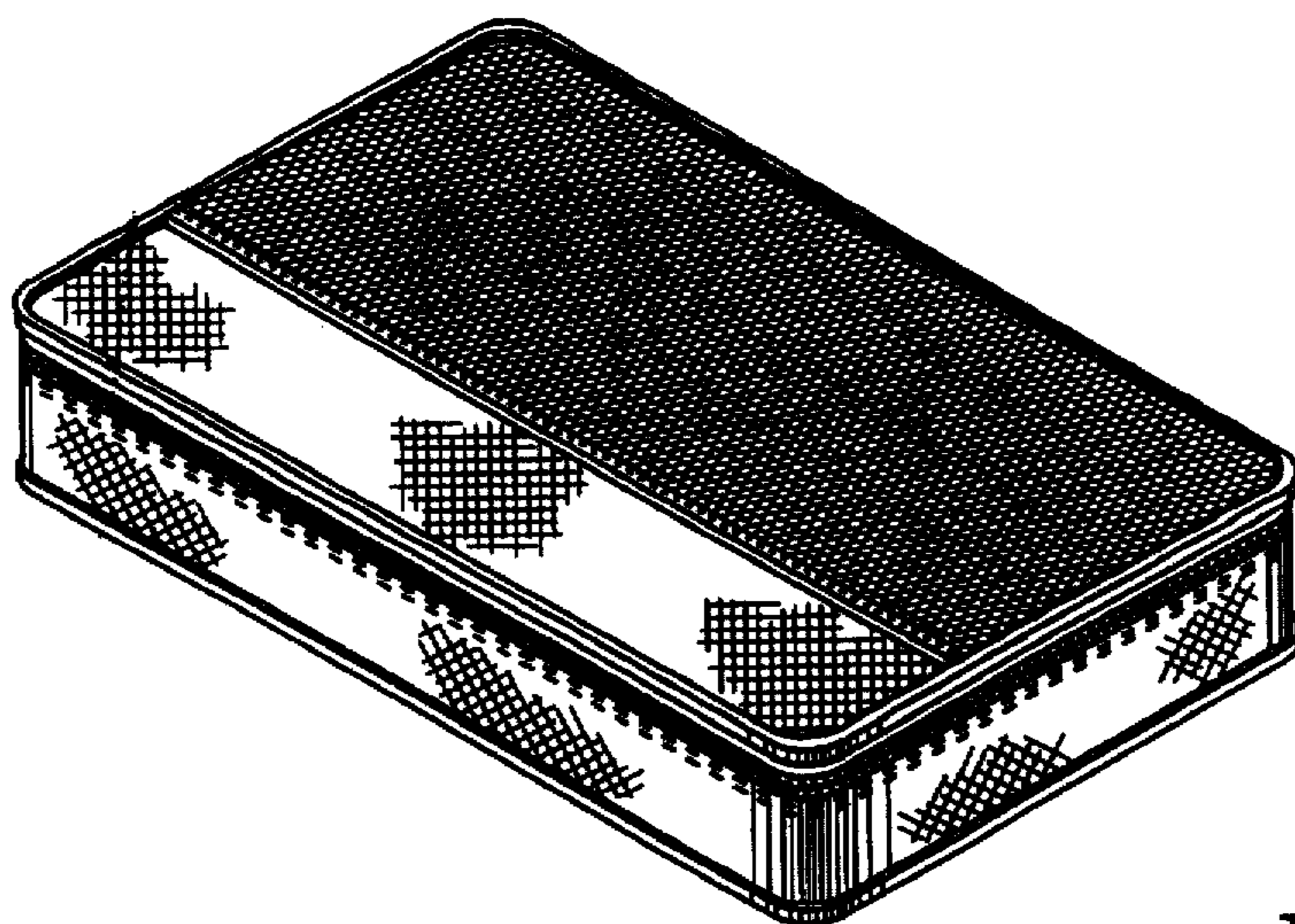


Fig. 5

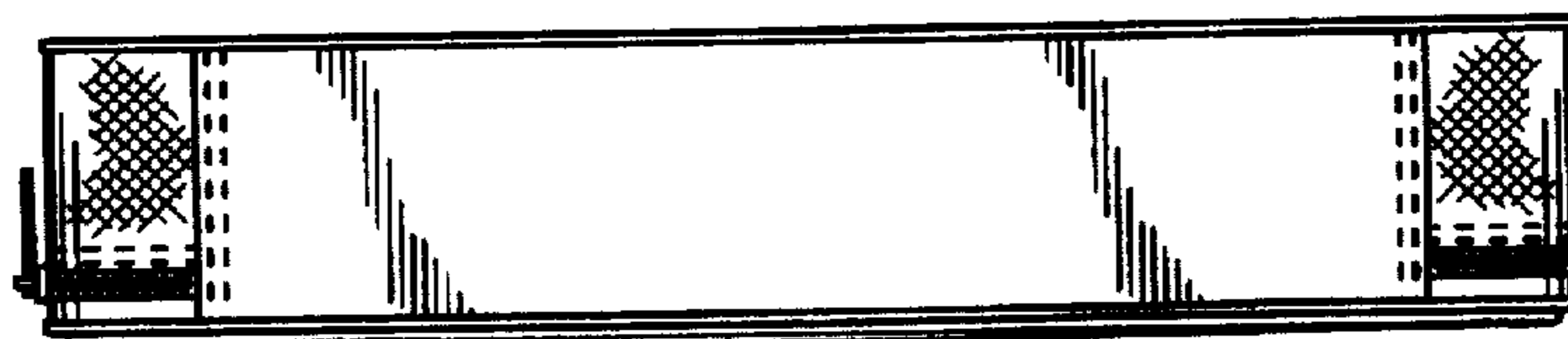


Fig. 3

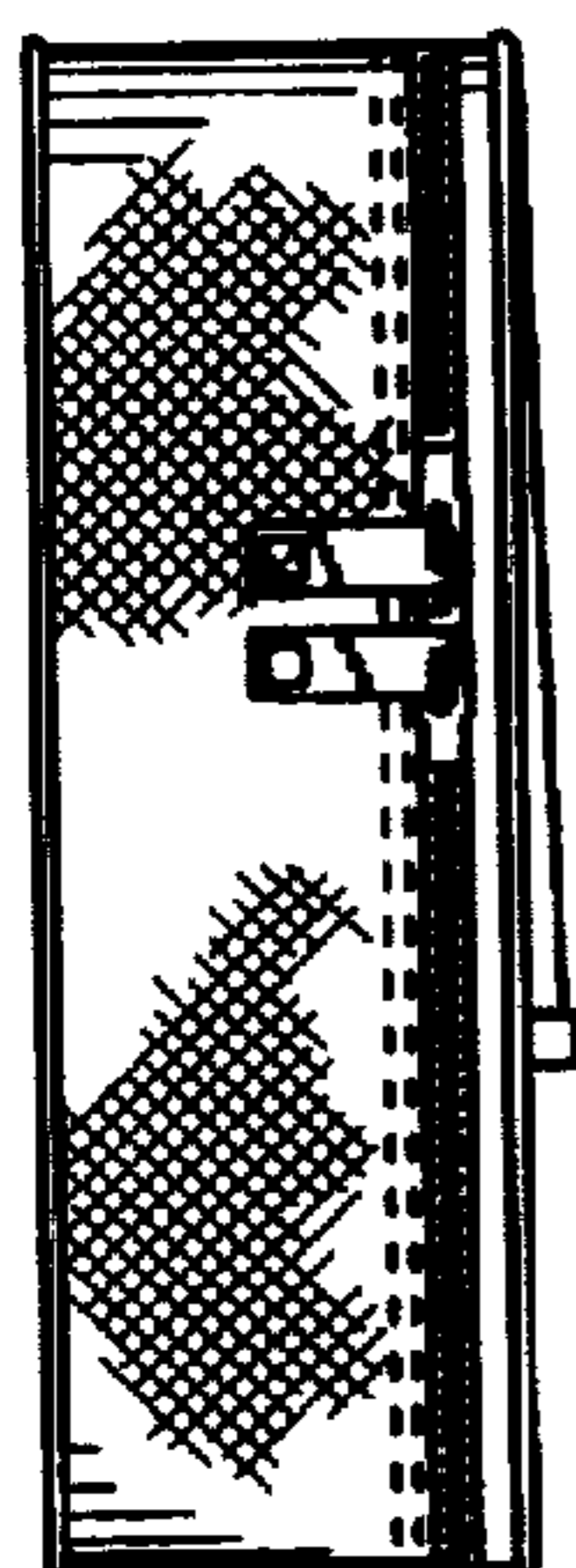


Fig. 2

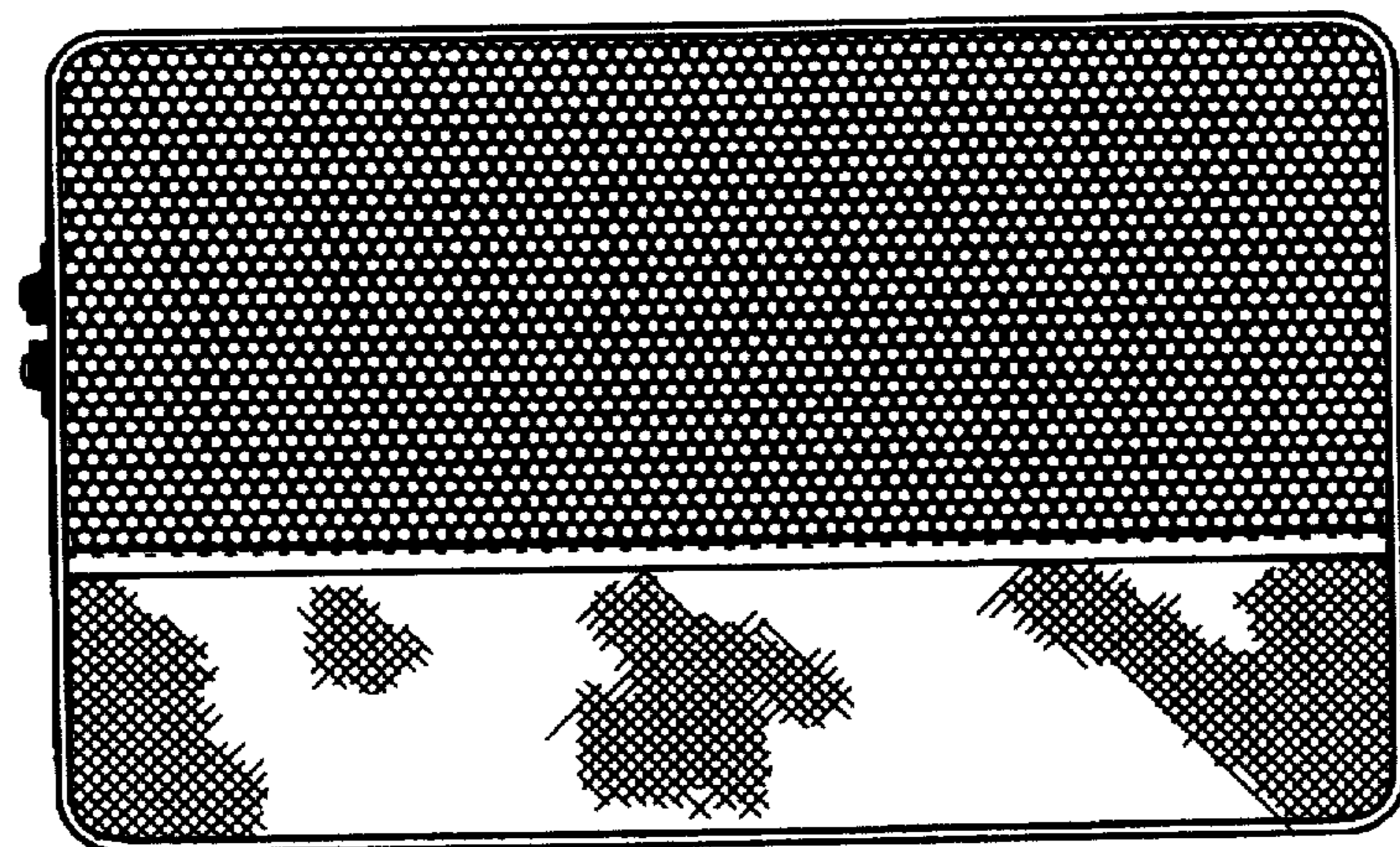


Fig. 4

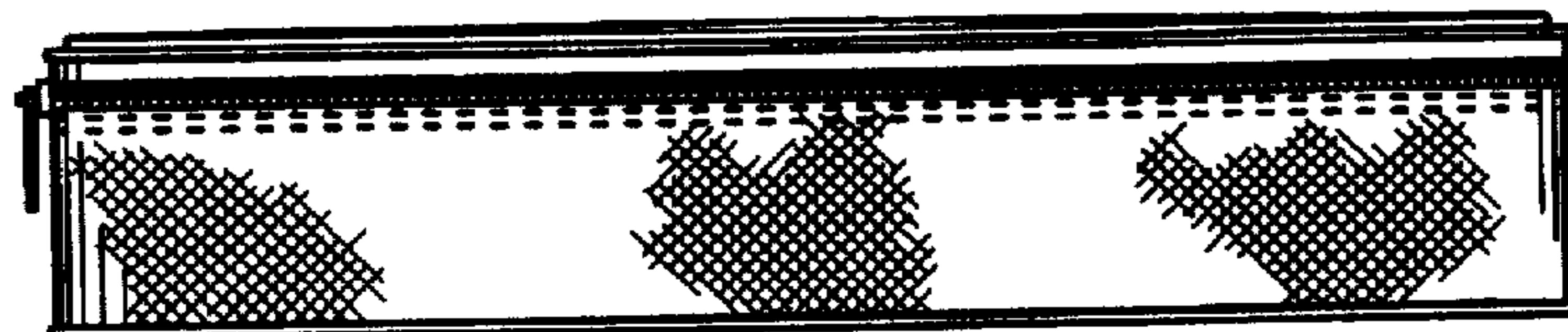
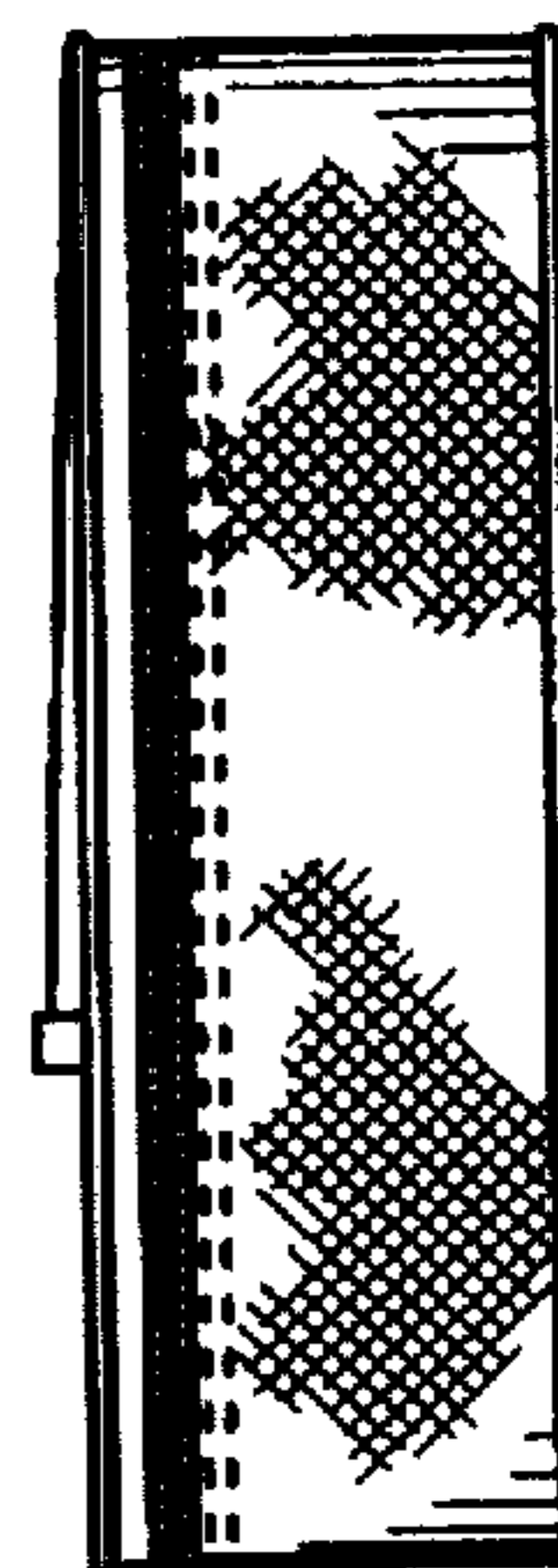


Fig. 6

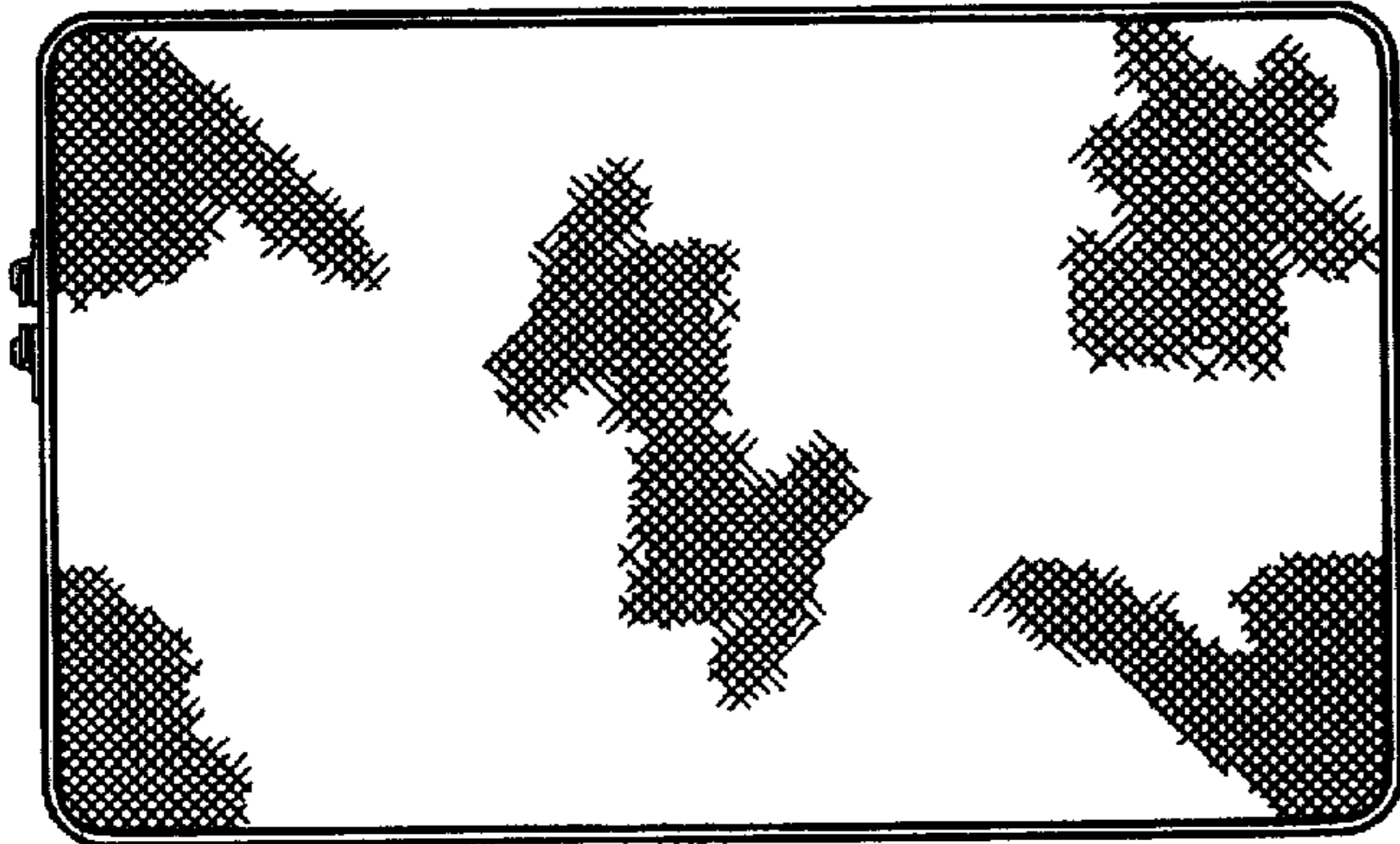


Fig. 7

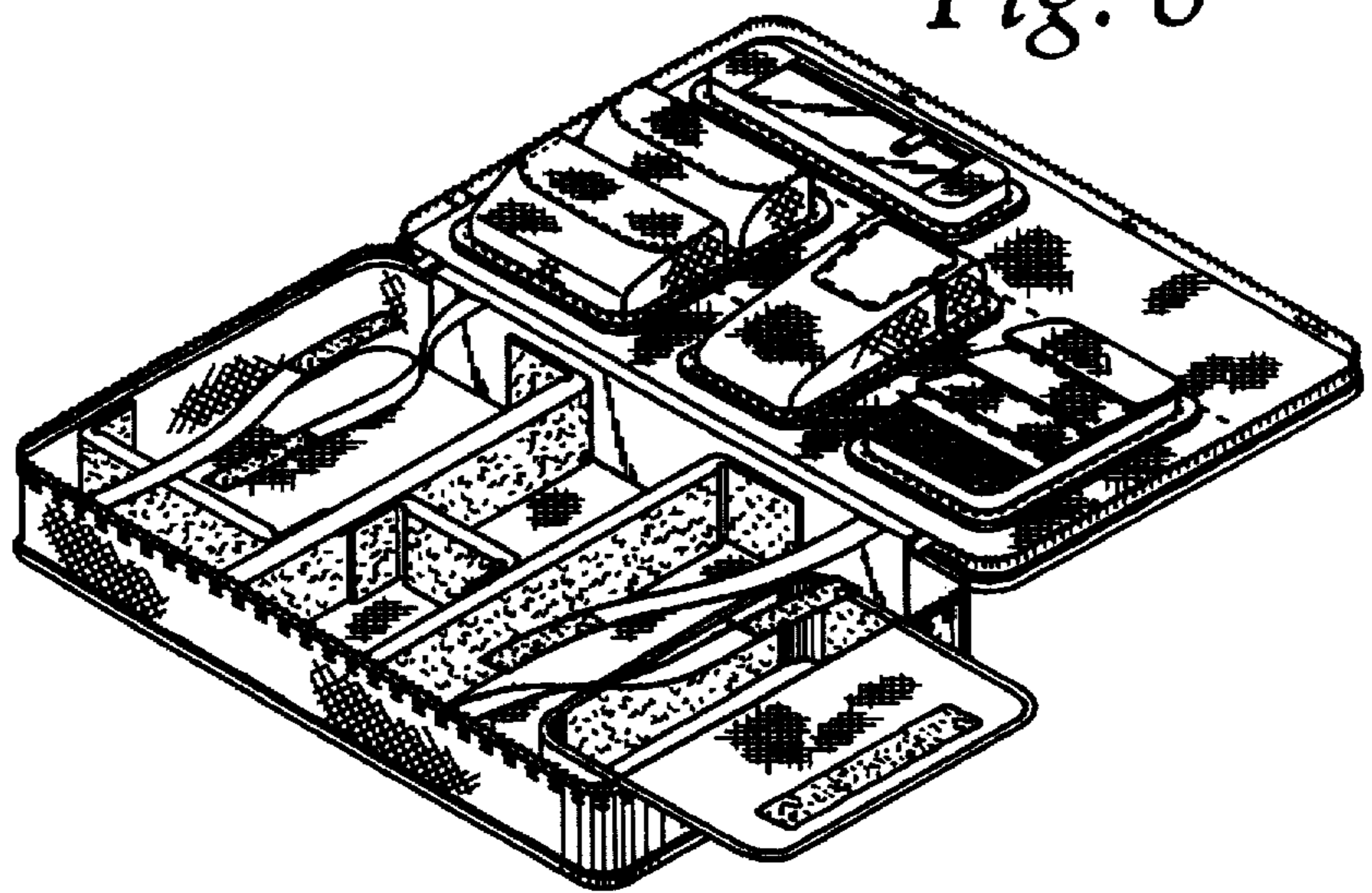


Fig. 8

Fig. 9

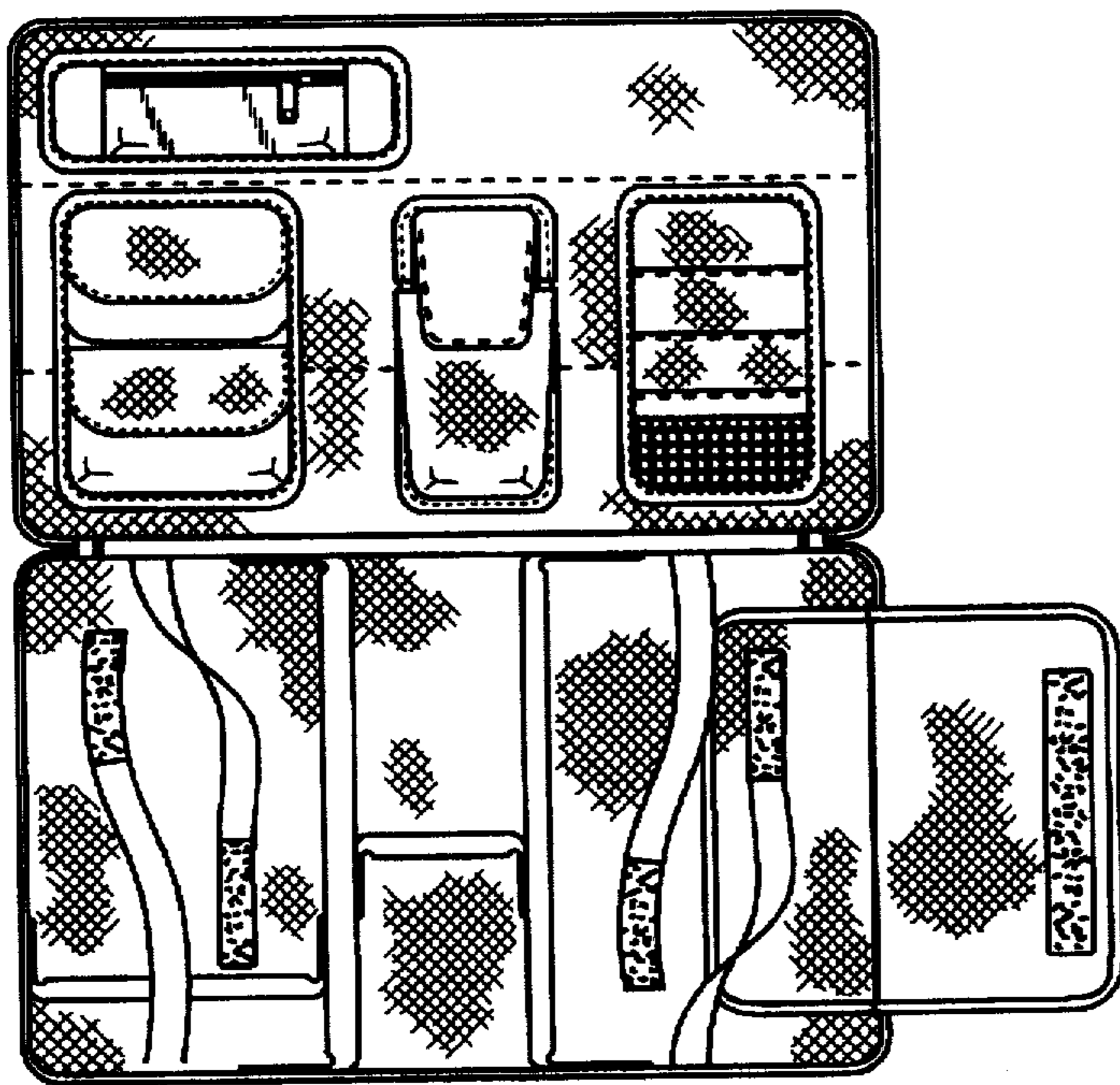


Fig. 10

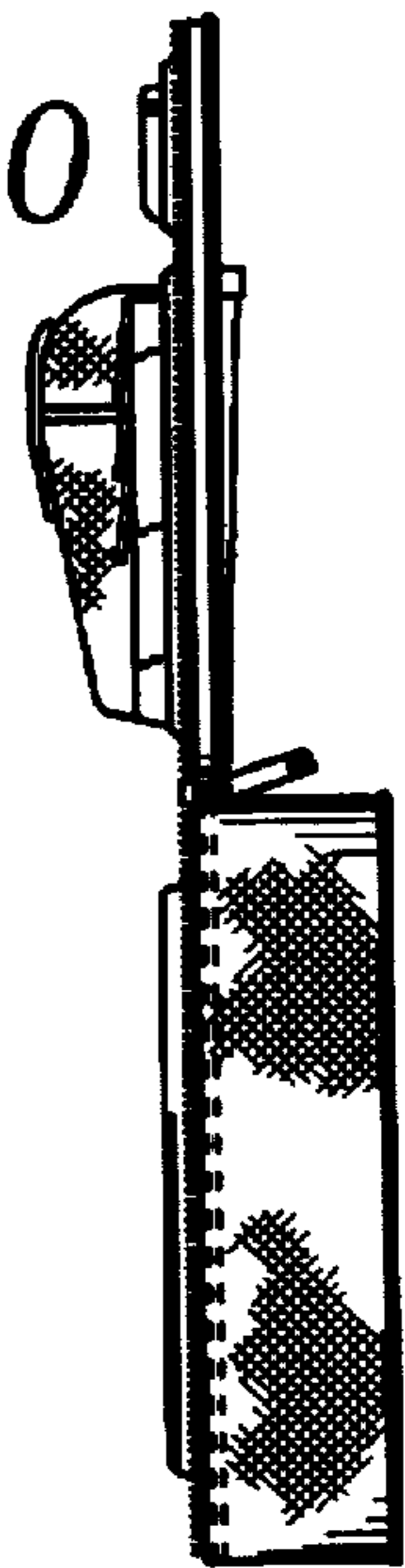


Fig. 11

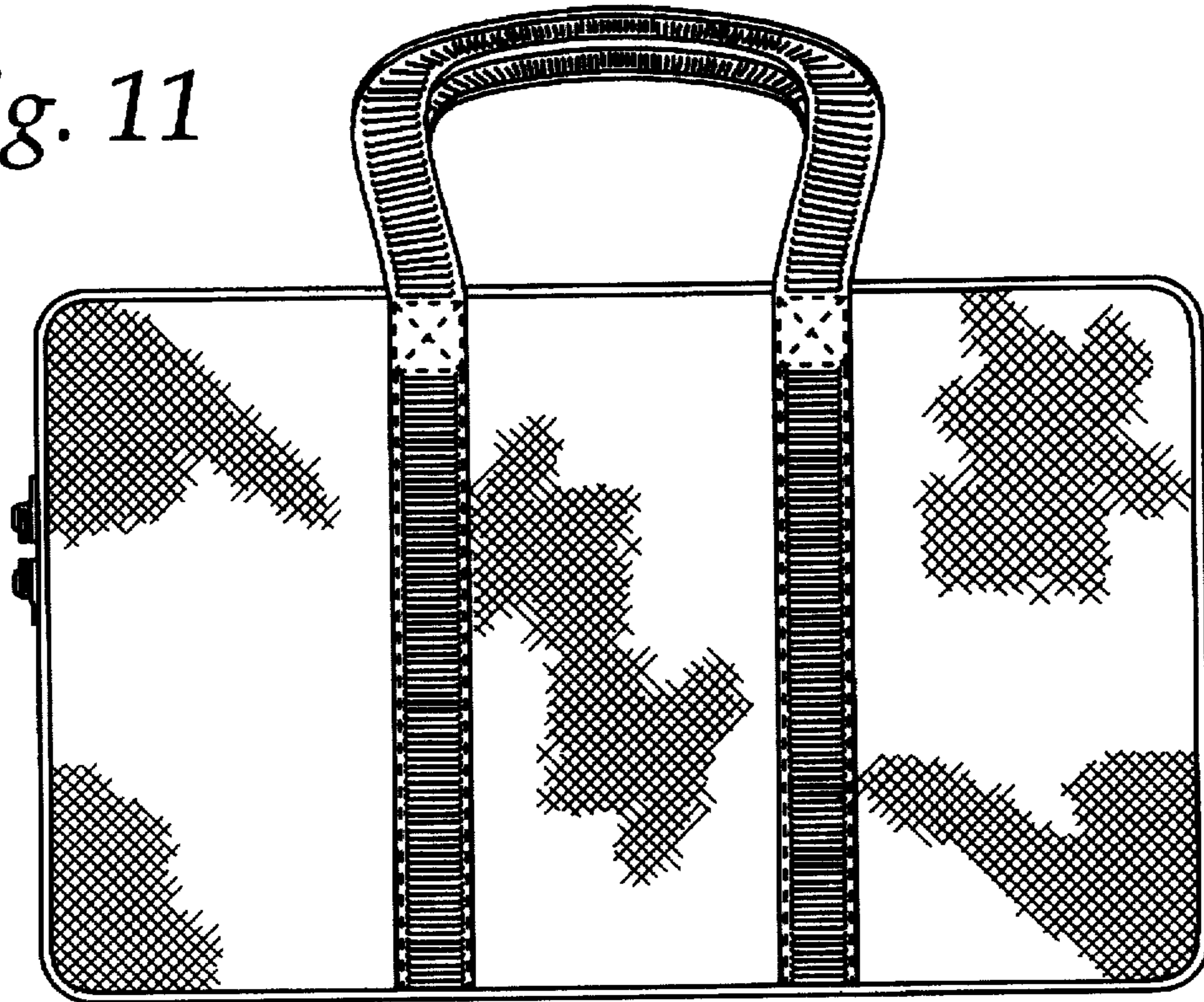


Fig. 12

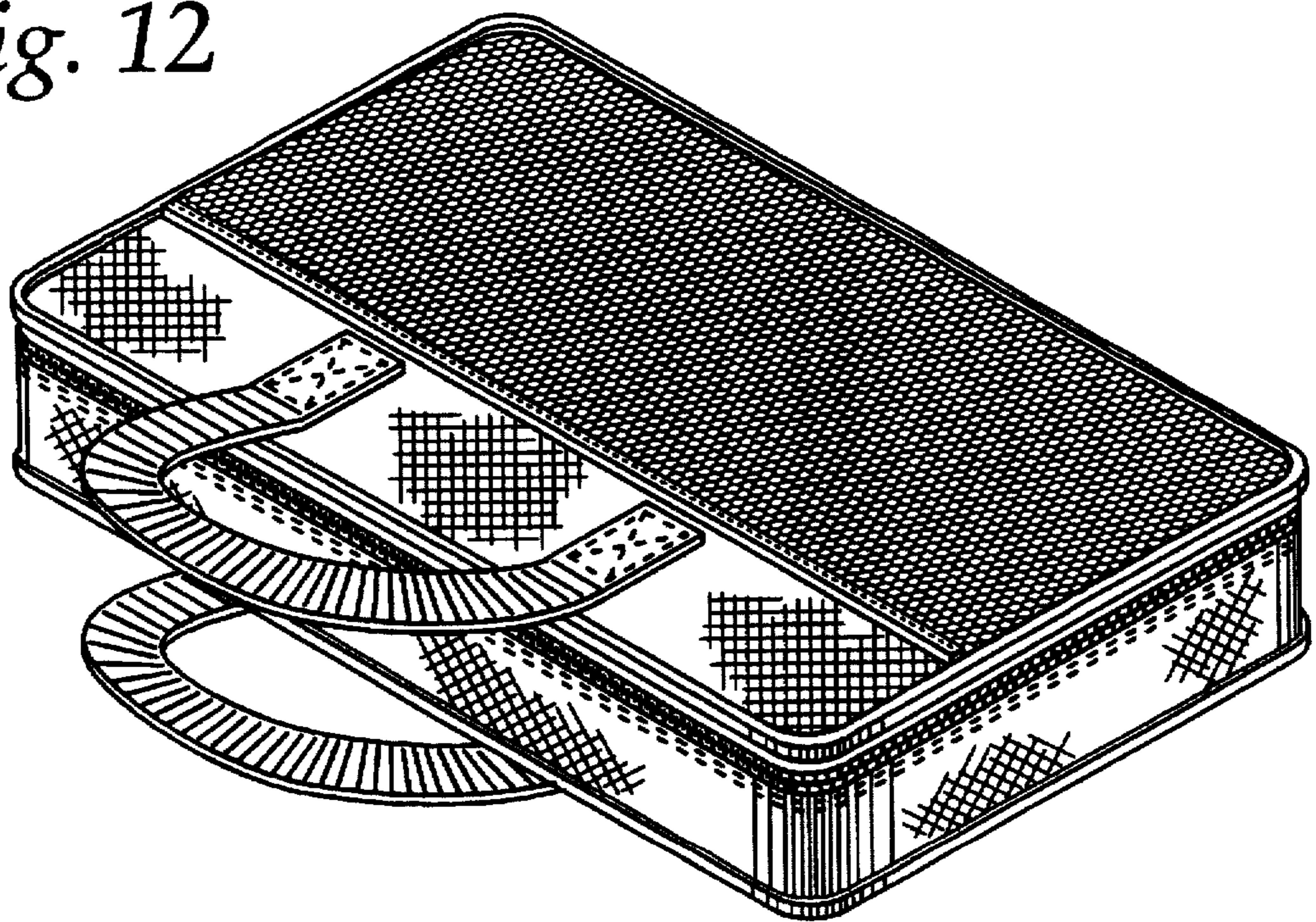


Fig. 13

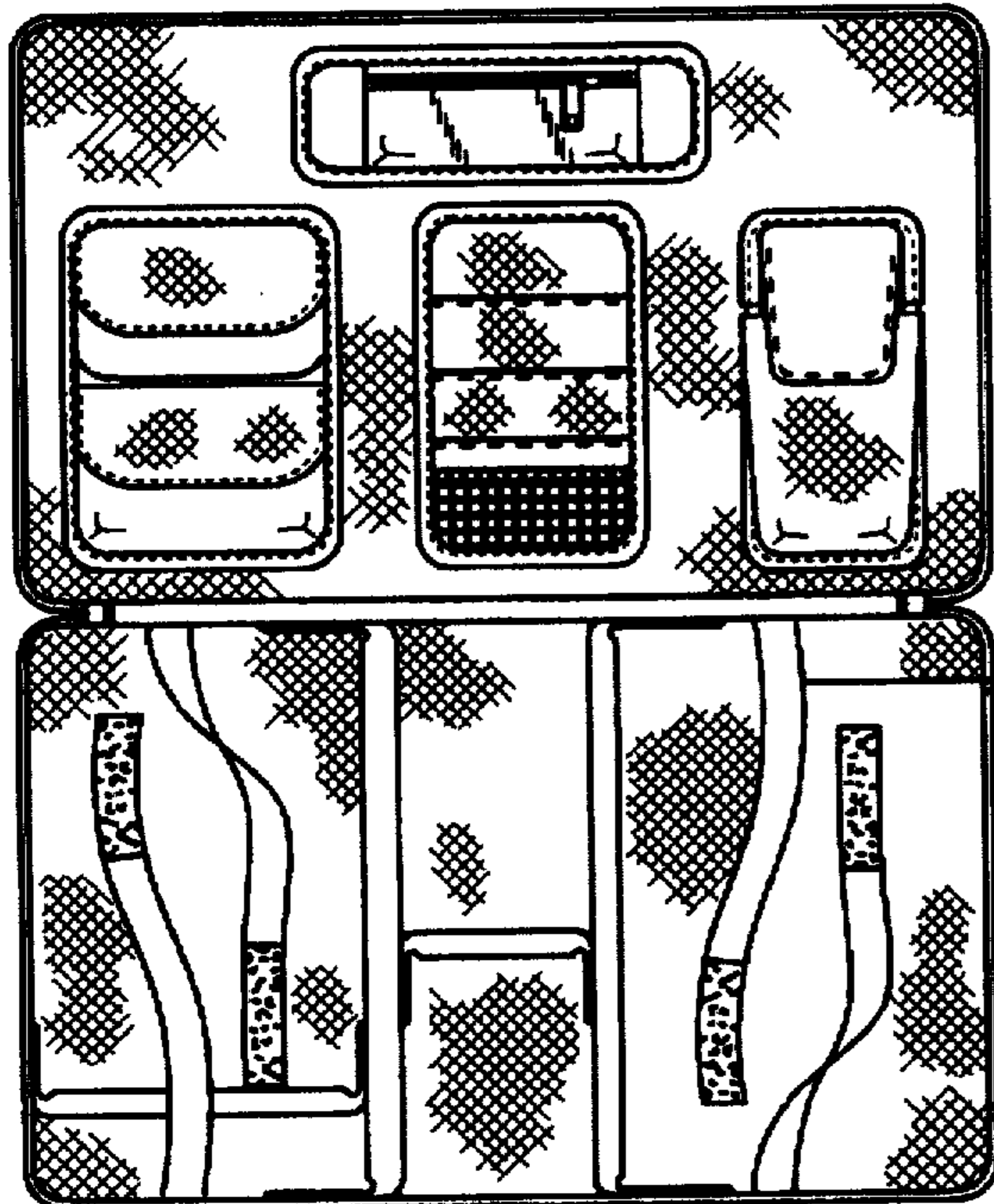


Fig. 14

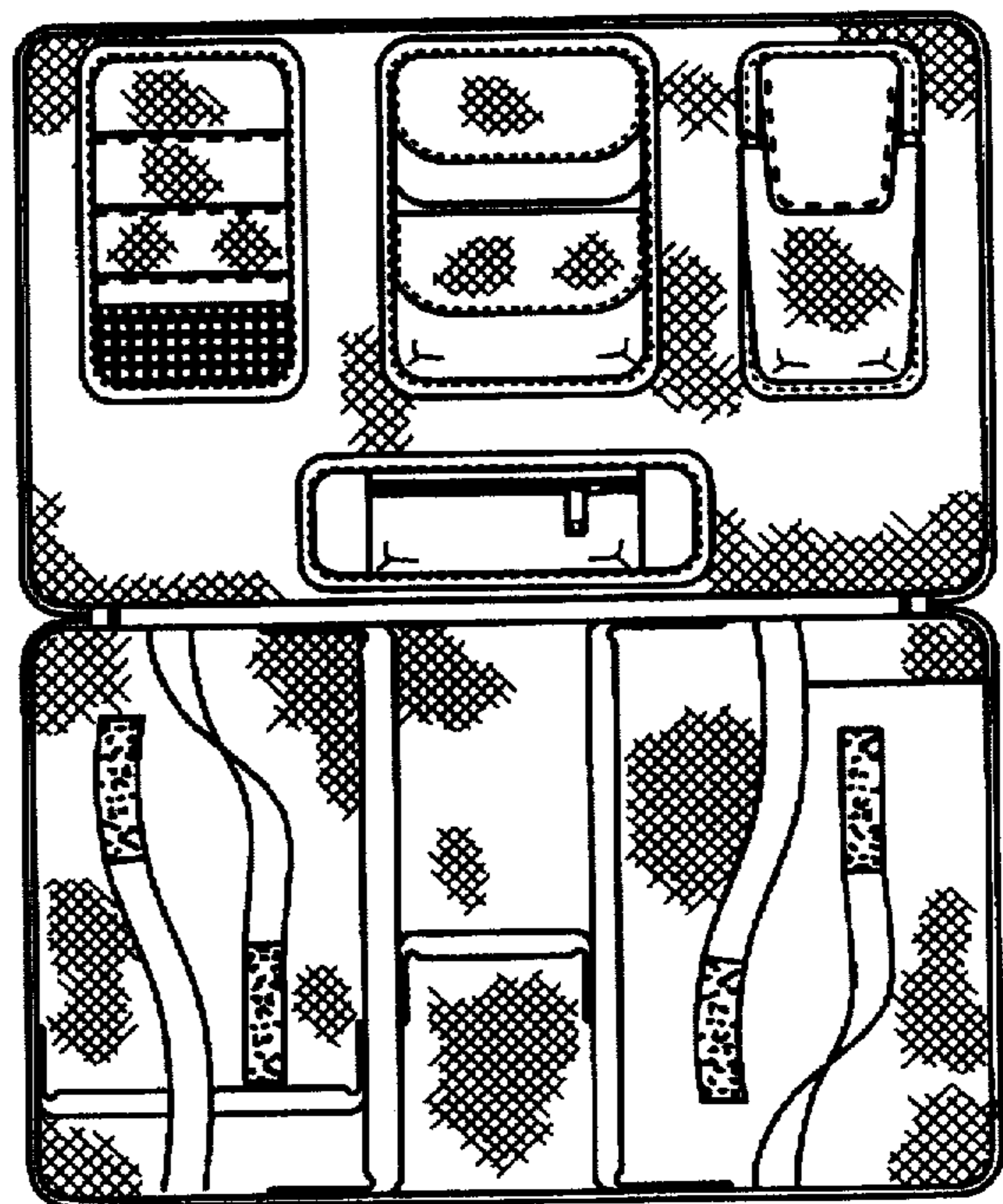


Fig. 15

