



US00D389646S

United States Patent [19]

Sankey et al.

[11] Patent Number: Des. 389,646

[45] Date of Patent: **Jan. 27, 1998

[54] STORAGE BIN

[75] Inventors: **James K. Sankey**, Hudson; **Craig Sauders**, Rocky River; **Jesse P. Carlson**, Cleveland; **Jeffrey M. Kalman**, Cleveland Heights, all of Ohio

[73] Assignee: **Alpha Enterprises**, North Canton, Ohio

[**] Term: **14 Years**

[21] Appl. No.: **64,586**

[22] Filed: **Jan. 6, 1997**

[51] LOC (6) Cl. **03-01**

[52] U.S. Cl. **D3/294; D6/440**

[58] Field of Search **D3/294, 295, 273, D3/305; D6/440, 448, 432; 206/425; 312/290, 327, DIG. 33, 320; D9/424**

[56] **References Cited**

U.S. PATENT DOCUMENTS

D. 246,854	1/1978	Baker	D22/18
D. 289,351	4/1987	Jenkins	D6/440
D. 306,234	2/1990	Fersl	D19/75
D. 330,328	10/1992	DiSesa, Jr.	D3/294

D. 332,745	1/1993	Koloski	D9/424
D. 360,778	8/1995	Apt, III et al.	D6/448
D. 363,396	10/1995	Licari	D6/448
D. 365,154	12/1995	Maple	D6/440
D. 372,378	8/1996	Kruger	D6/448
3,383,009	5/1968	Weikert	D9/425
4,582,219	4/1986	Mortensen et al.	220/326

Primary Examiner—Philip S. Hyder
Attorney, Agent, or Firm—Sand & Sebolt

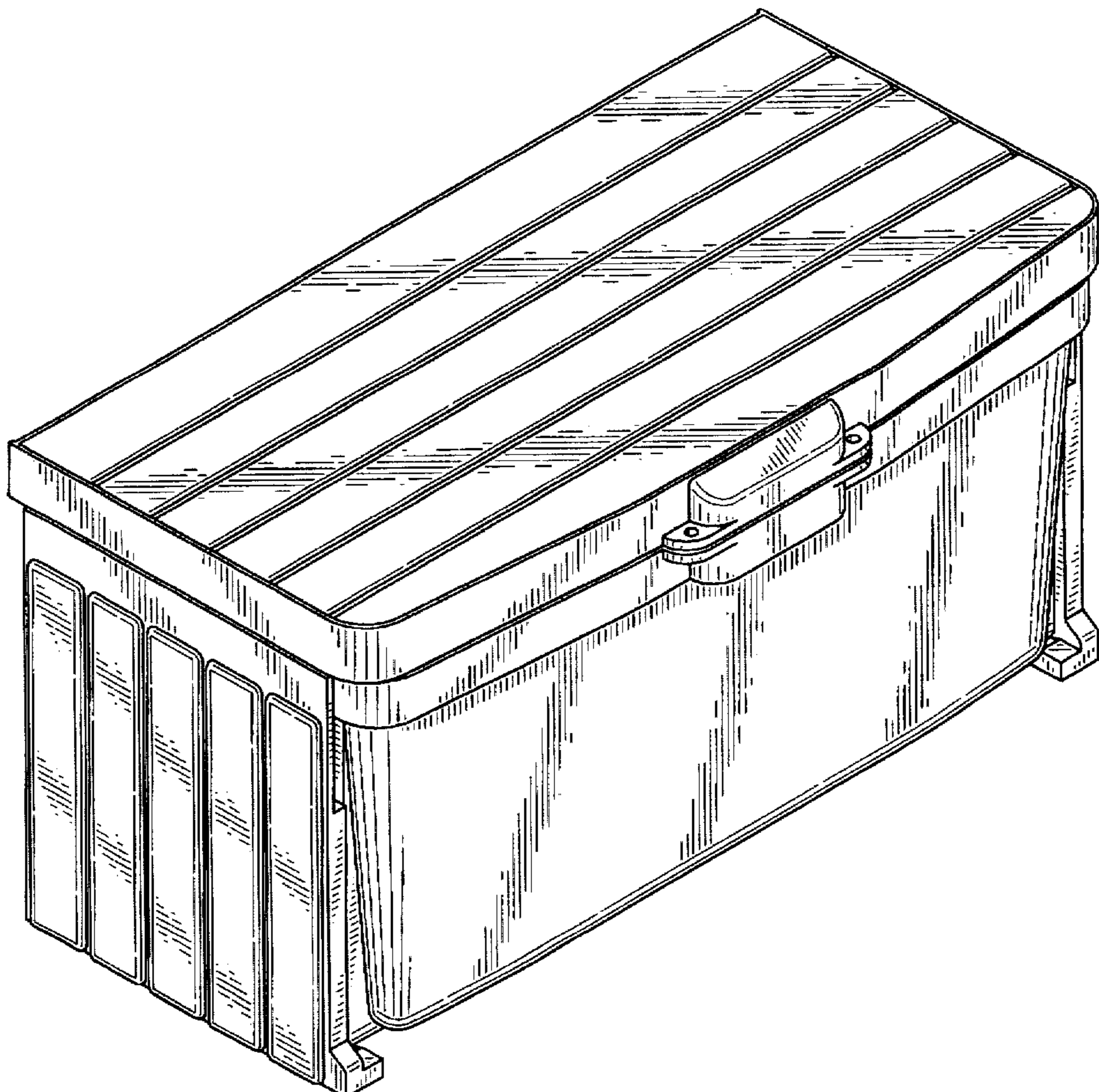
[57] **CLAIM**

The ornamental design for a storage bin, as shown and described.

DESCRIPTION

FIG. 1 is a top perspective view of a storage bin showing our new design;
FIG. 2 is a top plan view of the storage bin of FIG. 1;
FIG. 3 is a front elevational view of FIG. 2;
FIG. 4 is a right side elevational view of FIG. 2; the left side being a mirror image thereof;
FIG. 5 is a rear elevational view of FIG. 2;
FIG. 6 is a bottom plan view of FIG. 2; and
FIG. 7 is a perspective view similar to FIG. 1 with the storage bin in an open position.

1 Claim, 5 Drawing Sheets



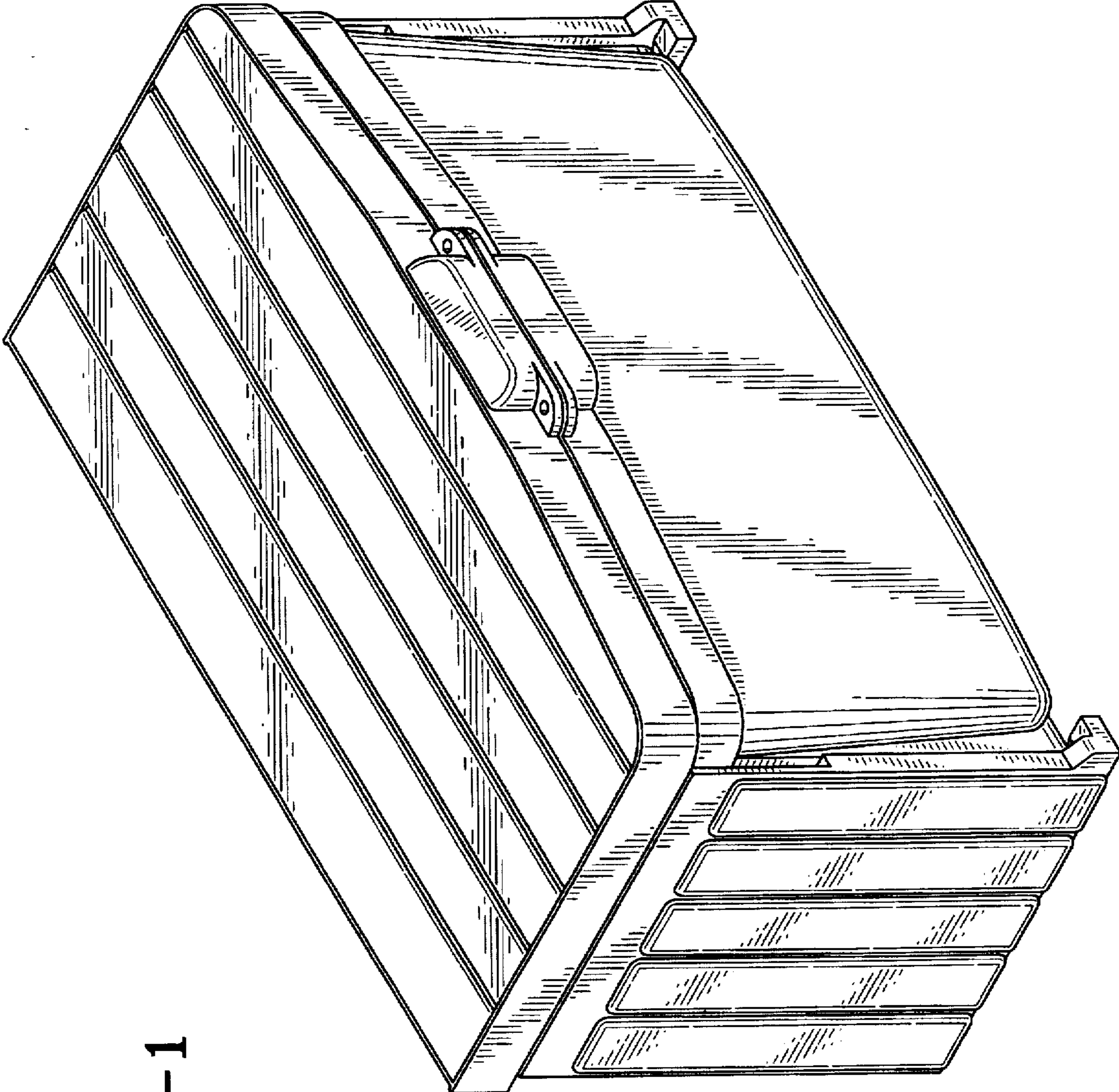


FIG-1

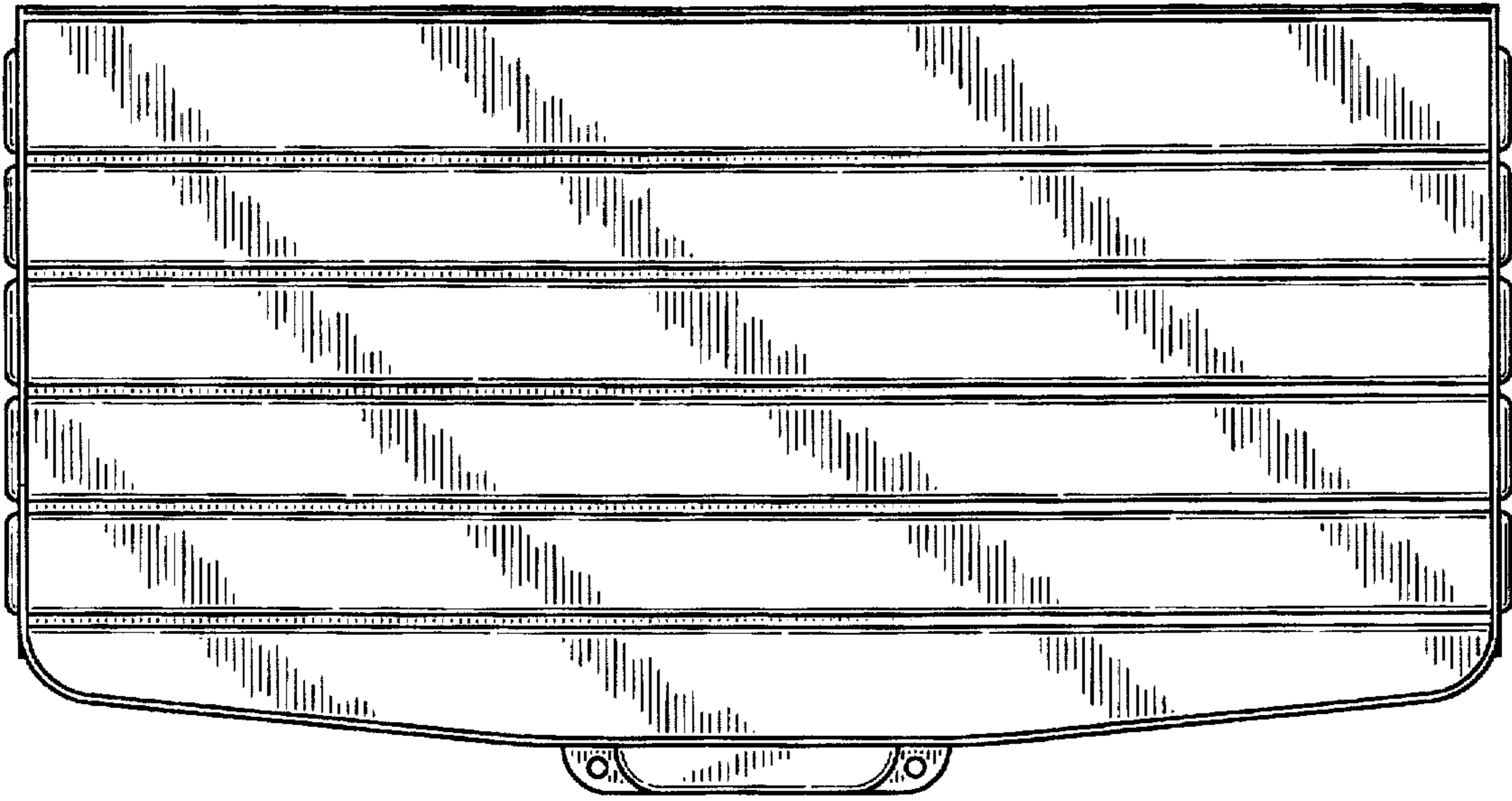


FIG-2

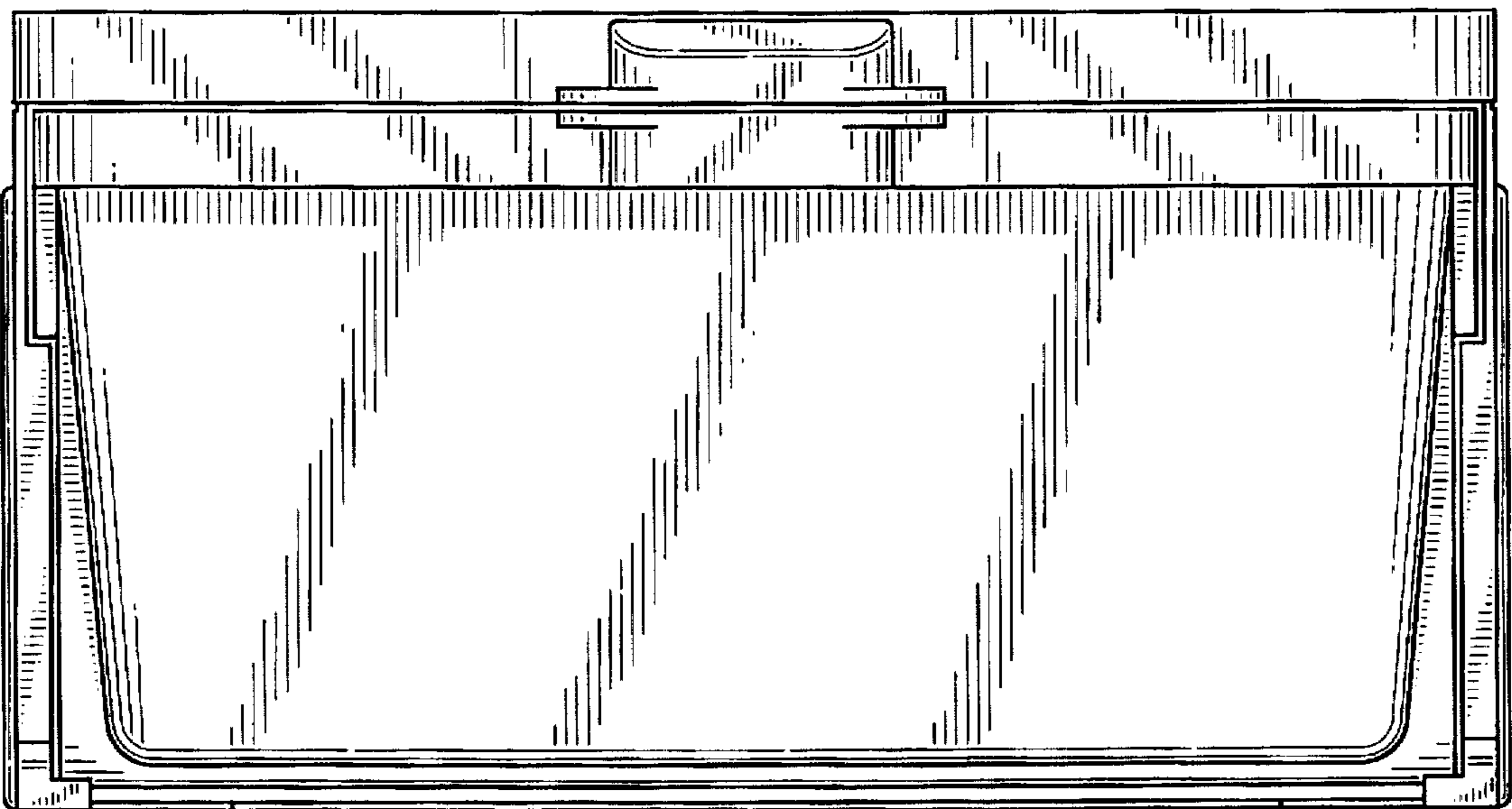


FIG-3

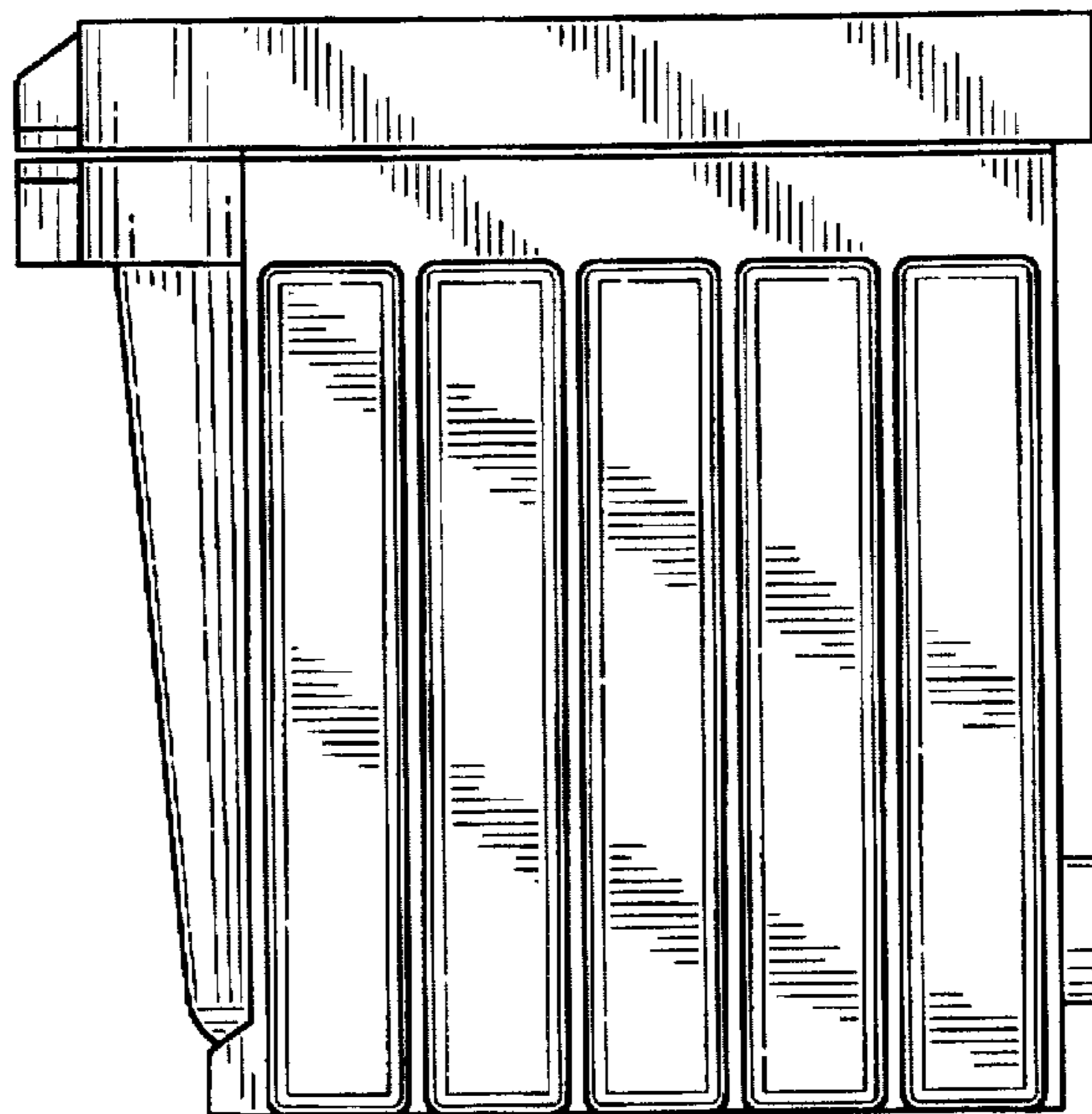


FIG-4

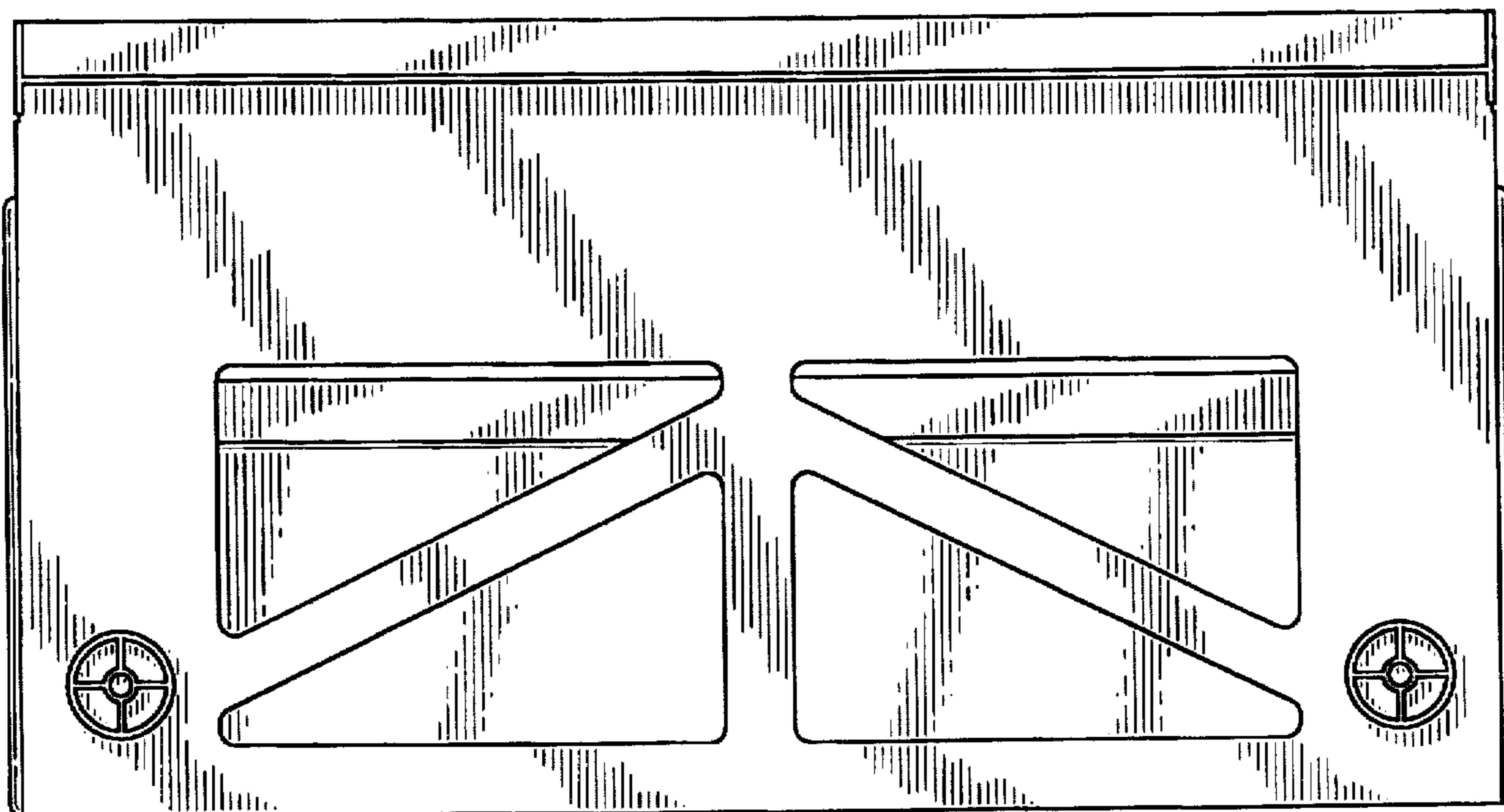


FIG-5

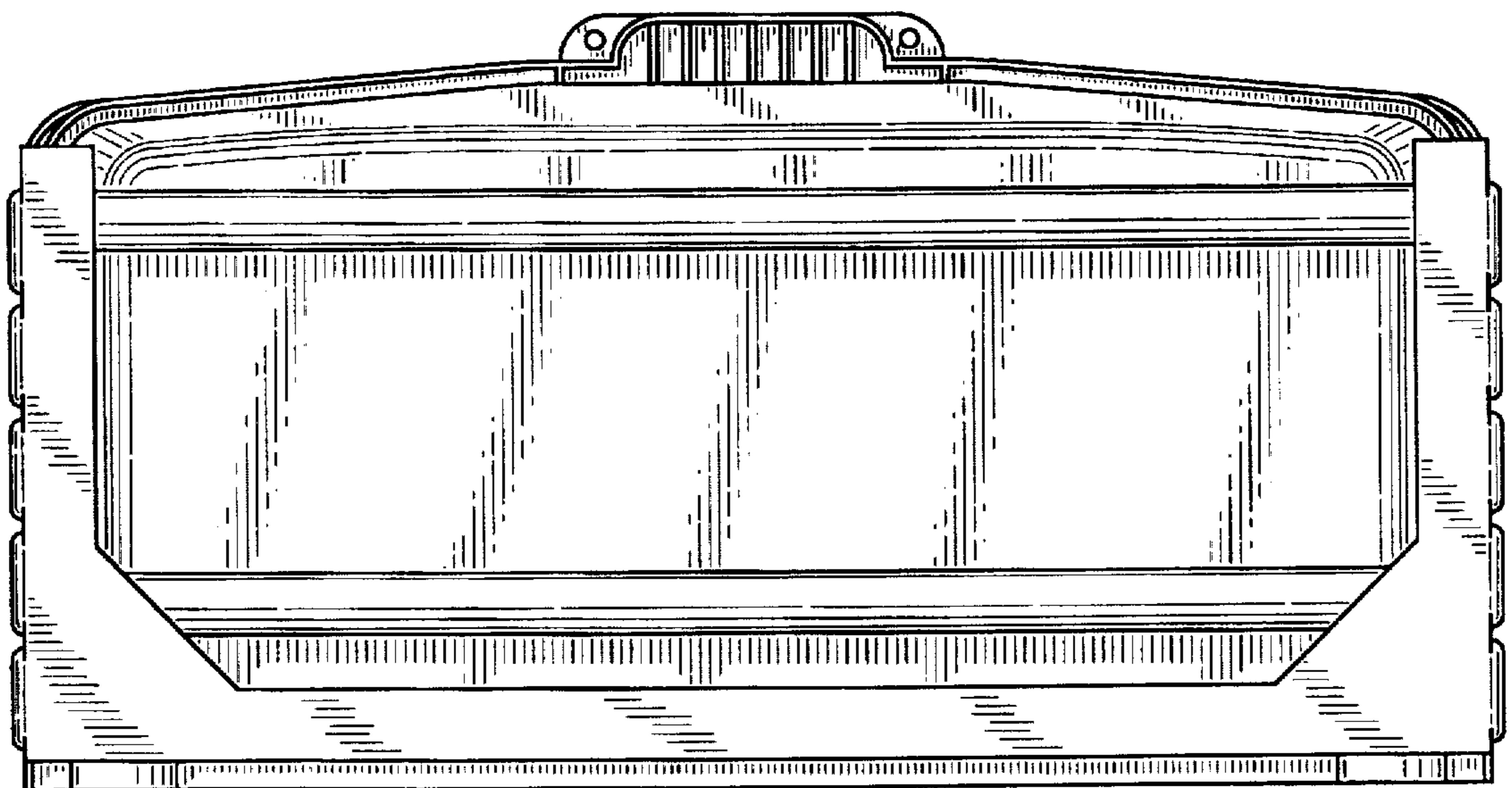


FIG-6

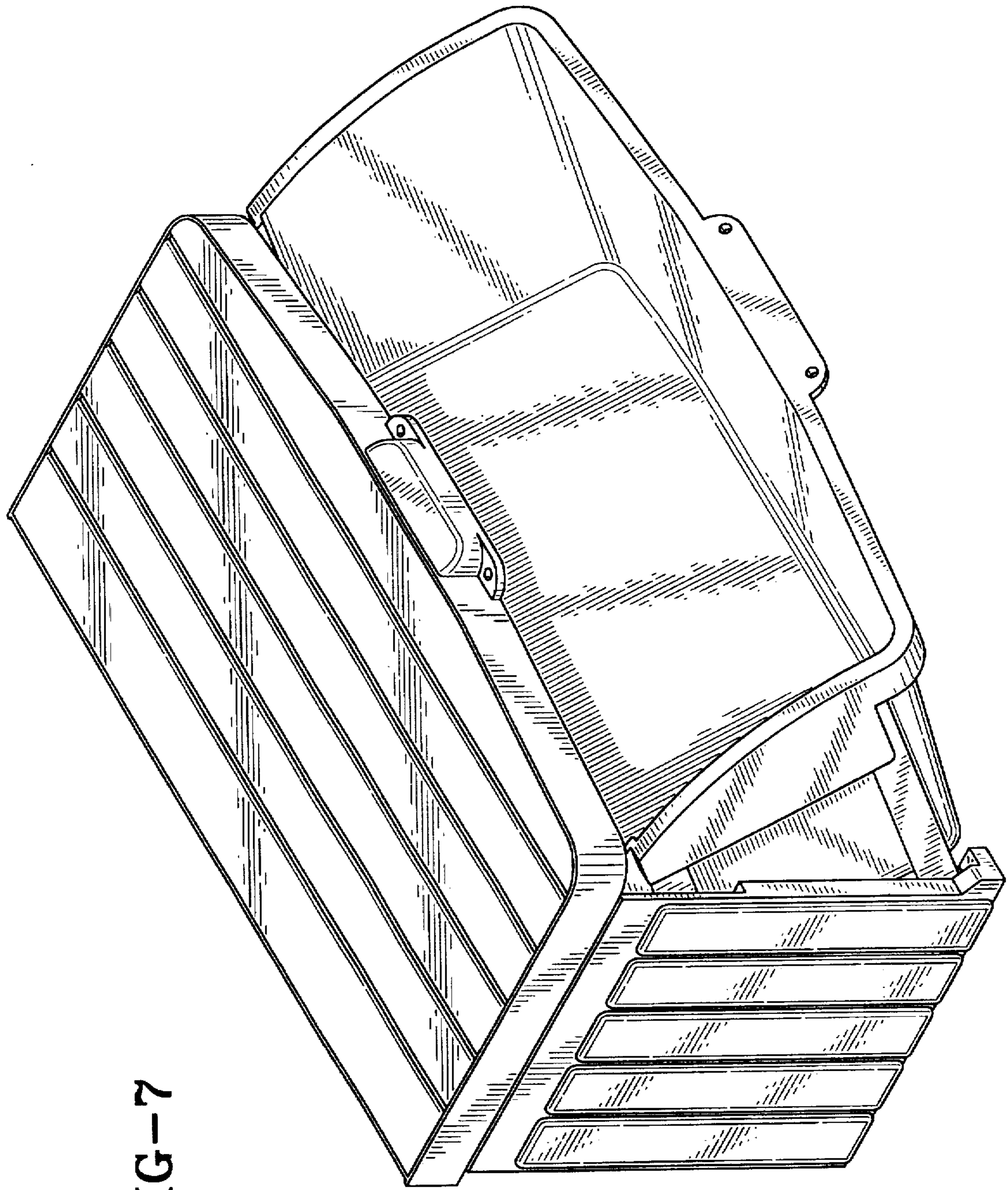


FIG-7