



US00D389641S

United States Patent [19]

McCutcheon et al.

[11] Patent Number: **Des. 389,641**

[45] Date of Patent: ****Jan. 27, 1998**

[54] **CASE FOR PORTABLE COMMUNICATION EQUIPMENT**

[75] Inventors: **David John McCutcheon**, Wheeling; **John Francis Hannon**, Gurnee; **Scott Michael Kouri**, Chicago; **Albert Leo Nagele**, Wilmette, all of Ill.

[73] Assignee: **Motorola, Inc.**, Schaumburg, Ill.

[**] Term: **14 Years**

[21] Appl. No.: **60,187**

[22] Filed: **Sep. 24, 1996**

[51] LOC (6) Cl. **03-01**

[52] U.S. Cl. **D3/218**

[58] Field of Search D3/218, 215; D14/138, D14/250, 251, 253; 224/250, 251, 236, 240, 267, 268, 269, 904, 913

[56] **References Cited**

U.S. PATENT DOCUMENTS

- D. 339,690 9/1993 Takahashi D3/218
- D. 346,275 4/1994 Hayaska et al. D3/218

- D. 348,355 7/1994 Scheid et al. D3/218
- D. 366,957 2/1996 Scheid et al. D3/218
- 4,479,596 10/1984 Swanson D3/218 X
- 4,896,805 1/1990 Klaczak et al. D3/218 X
- 4,901,852 2/1990 King 224/240 X

Primary Examiner—Doris V. Coles
Assistant Examiner—Catherine R. Oliver
Attorney, Agent, or Firm—Mark D. Patrick

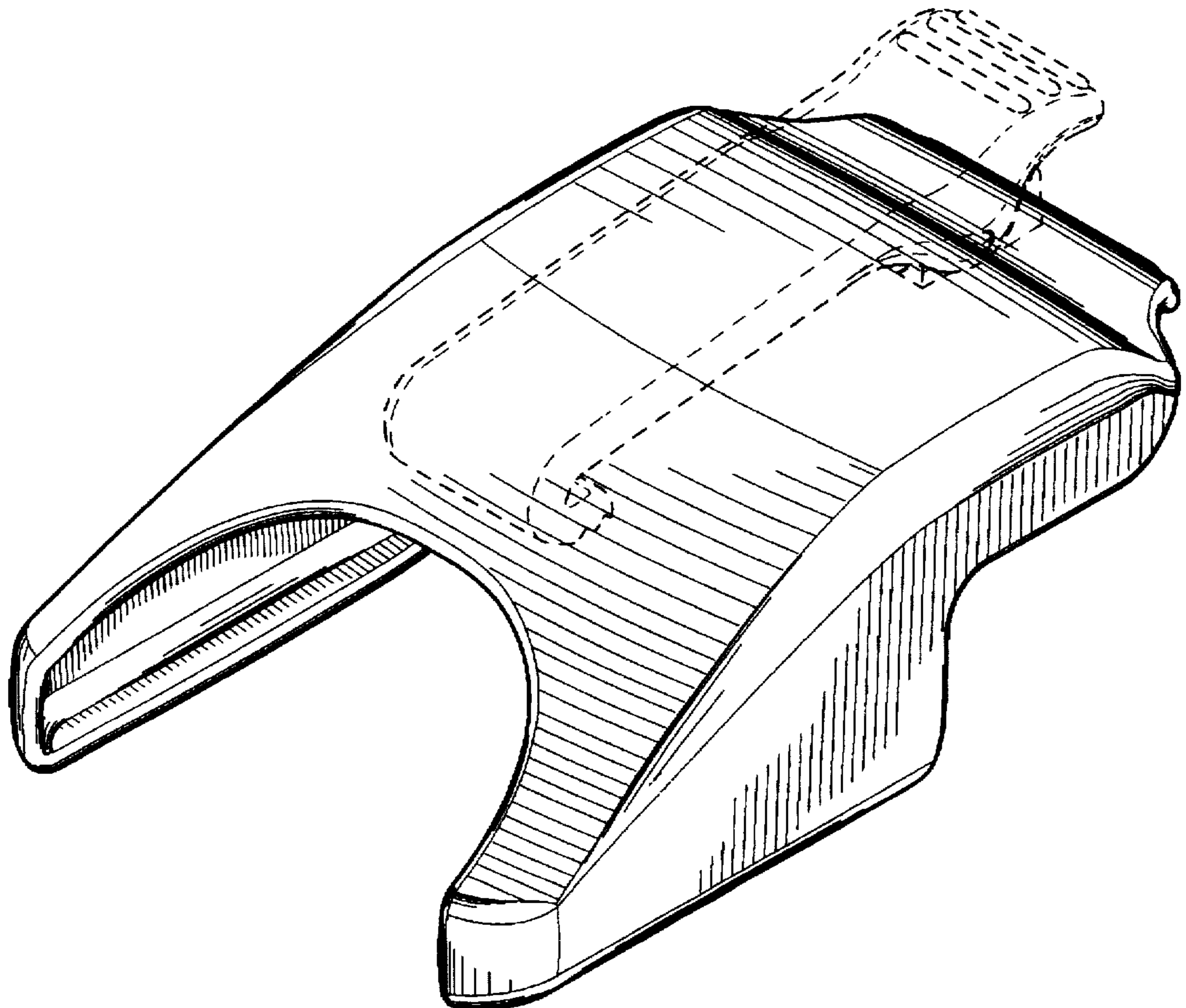
[57] **CLAIM**

The ornamental design for a case for portable communication equipment, as shown and described.

DESCRIPTION

FIG. 1 is a rear, bottom, and left side perspective view showing our new design for a case for portable communication equipment;
FIG. 2 is a top plan view thereof;
FIG. 3 is a right side elevational view thereof;
FIG. 4 is a front elevational view thereof; and
FIG. 5 is the rear, bottom, and left side perspective view of FIG. 1 with the broken lines removed.
The broken line showings in FIGS. 1-3 are for illustrative purposes only and form no part of the claimed design.

1 Claim, 3 Drawing Sheets



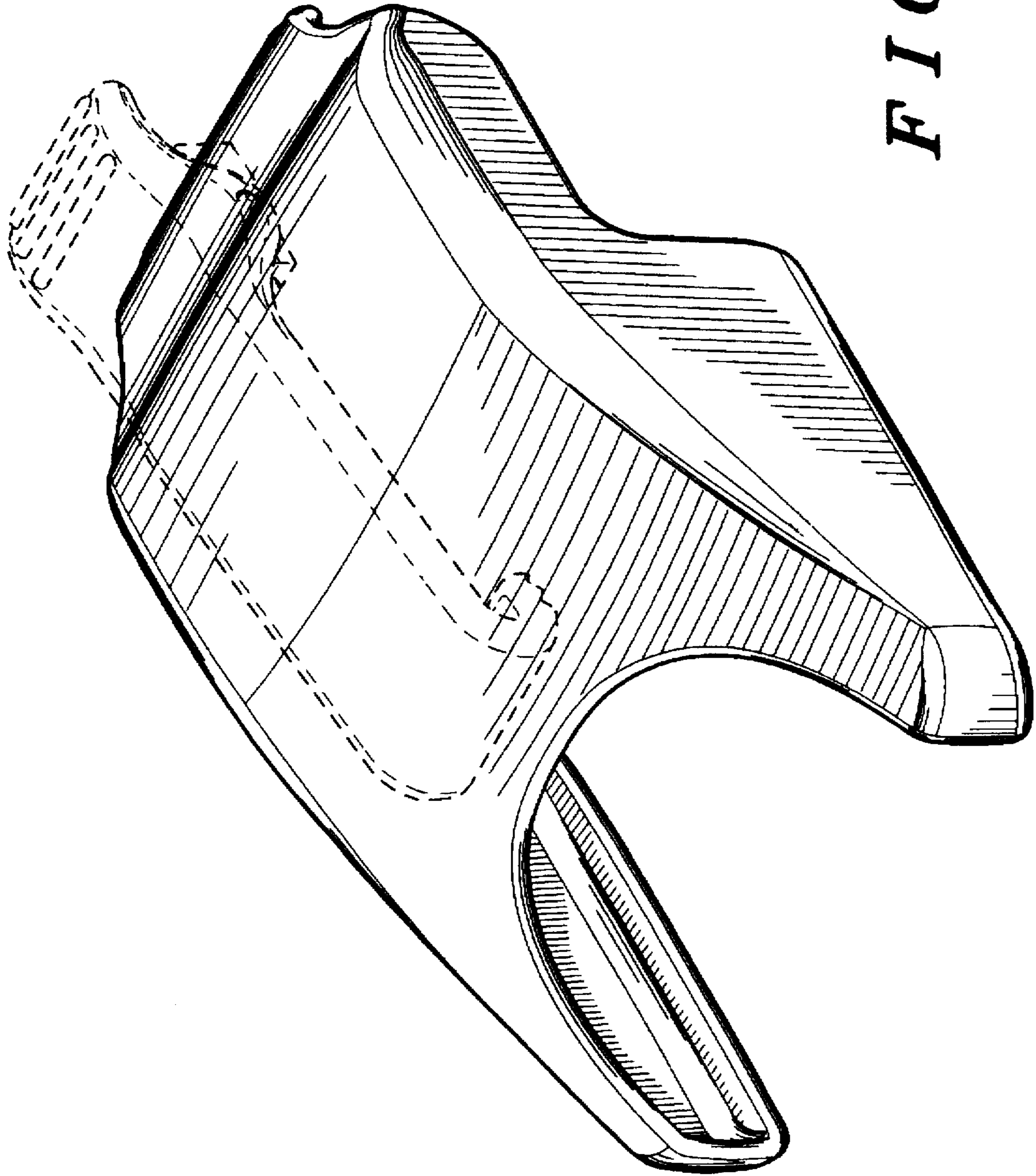


FIG. 1

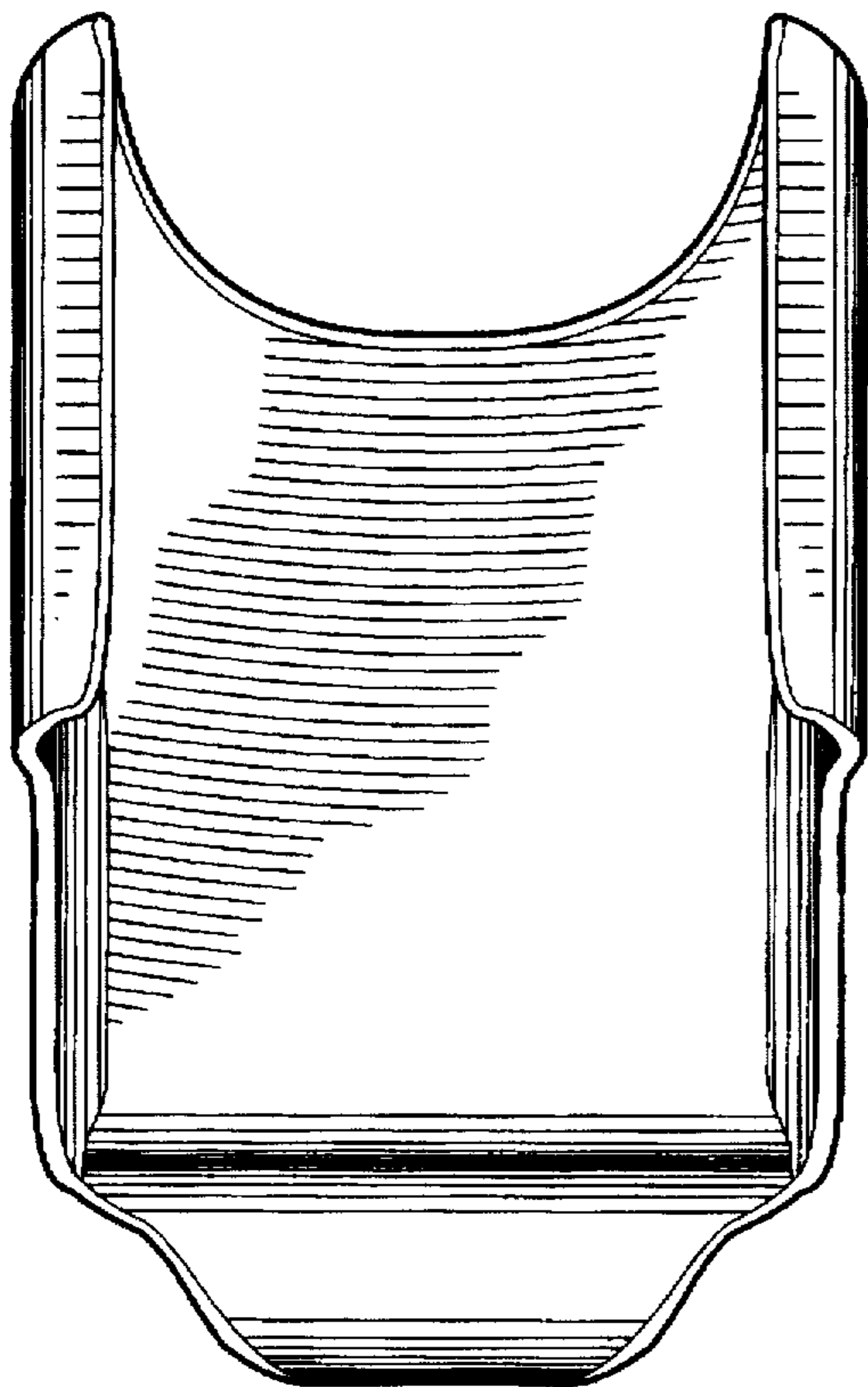


FIG. 4

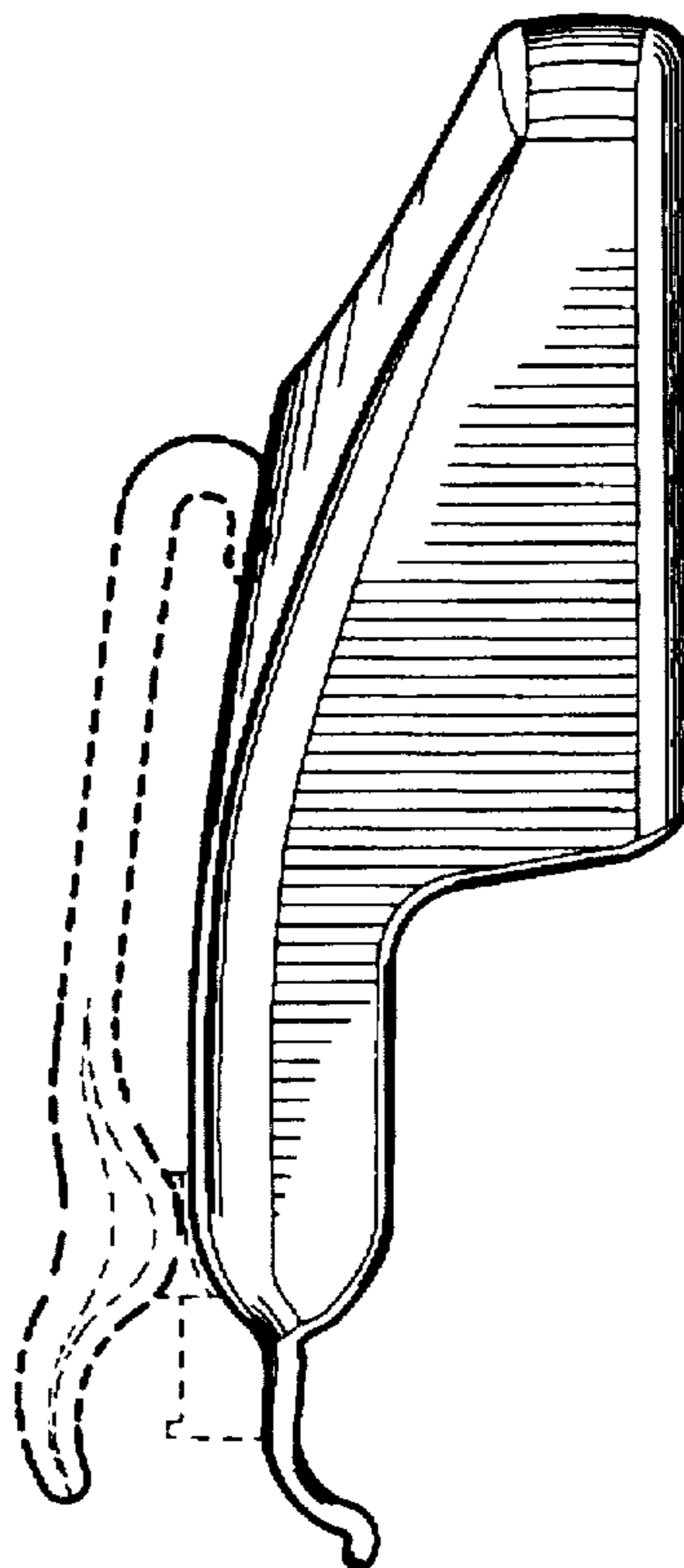


FIG. 3

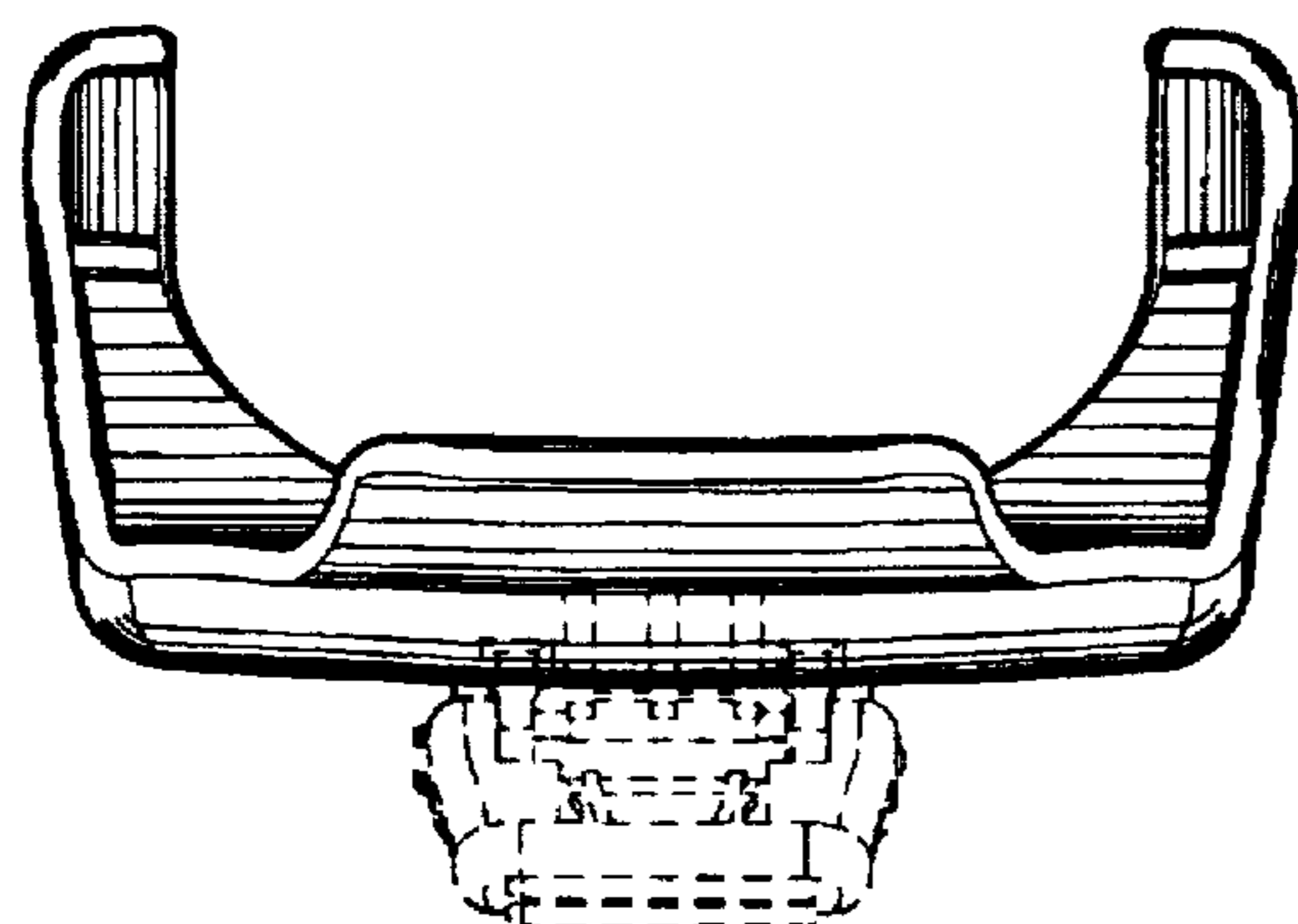


FIG. 2

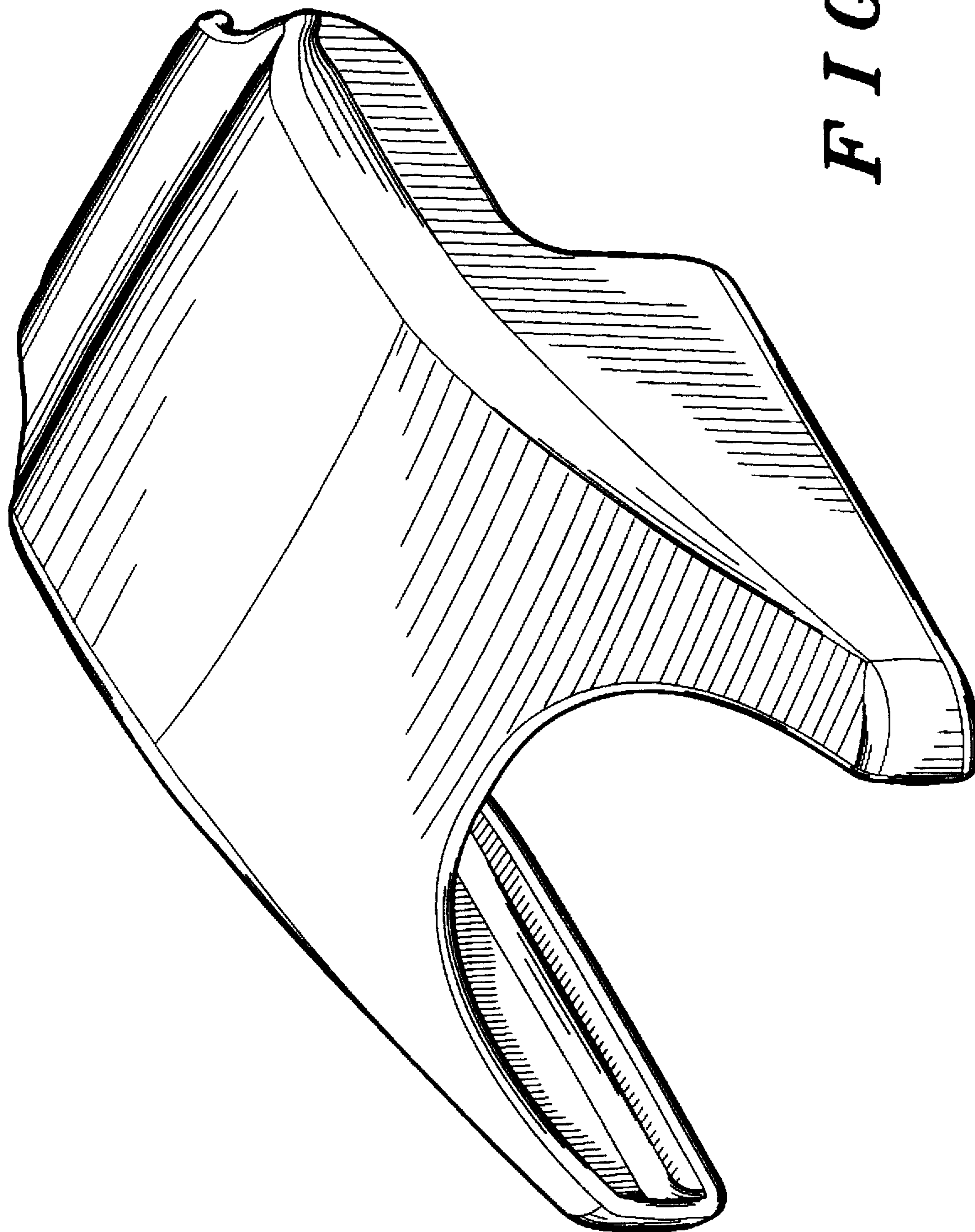


FIG. 5