



US00D389639S

# United States Patent [19] Priebe

[11] Patent Number: **Des. 389,639**  
[45] Date of Patent: **\*\*Jan. 27, 1998**

[54] **INSULIN CARRYING CASE**  
[75] Inventor: **Robert N. Priebe**, Bloomington, Minn.  
[73] Assignee: **Apothecary Products, Inc.**, Burnsville, Minn.  
[\*\*] Term: **14 Years**

*Primary Examiner*—Prabhakar G. Deshmukh  
*Attorney, Agent, or Firm*—Merchant, Gould, Smith, Edell, Welter & Schmidt, P.A.

### [57] CLAIM

The ornamental design for insulin carrying case, as shown and described.

### DESCRIPTION

FIG. 1 is a perspective view of an insulin carrying case as viewed from the front and side thereof;  
FIG. 2 is an elevational view of one end of the insulin carrying case, the opposite end being identical;  
FIG. 3 is a bottom plan view of the insulin carrying case;  
FIG. 4 is an elevational view of the side of the insulin carrying case, the opposite side being identical;  
FIG. 5 is a perspective view of the top portion of the insulin carrying case as viewed from the front and side thereof;  
FIG. 6 is an elevational view of one end of the top portion of the insulin carrying case, the opposite end being identical;  
FIG. 7 is a top plan view of the insulin carrying case;  
FIG. 8 is a bottom plan view of top portion of the insulin carrying case;  
FIG. 9 is an elevational view of one side of the insulin carrying case, the opposite side being identical;  
FIG. 10 is a perspective view of the bottom portion of the insulin carrying case as viewed from the front and side thereof;  
FIG. 11 is an elevational view of one end of the bottom portion of the insulin carrying case, the opposite end being identical;  
FIG. 12 is a top plan view of the bottom portion of the insulin carrying case;  
FIG. 13 is an elevational view of one side of the bottom portion of the insulin carrying case, the opposite side being identical; and,  
FIG. 14 is a bottom plan view of the bottom portion of the insulin carrying case.

[21] Appl. No.: **65,619**  
[22] Filed: **Jan. 30, 1997**  
[51] **LOC (6) Cl.** ..... **03-01**  
[52] **U.S. Cl.** ..... **D3/203; D9/347; D9/432**  
[58] **Field of Search** ..... **D3/203, 201, 900, D3/905; D9/420-424, 432, 337, 414, 341.347; 206/366, 364, 370, 438, 528, 539, 564, 563, 557; 220/8, 253, 354, 376, 4.21, 4.24; D24/107, 114, 121, 127**

### [56] References Cited

#### U.S. PATENT DOCUMENTS

D. 280,059	8/1985	Otto	.....	D9/347	X
D. 339,983	10/1993	Breton et al.	.....	D9/347	
1,381,487	6/1921	Maruny et al.	.....	206/528	
4,372,445	2/1983	Keffler	.....	206/538	X
4,429,793	2/1984	Ehmann	.....	206/570	
4,436,205	3/1984	Horii	.....	206/528	X
5,320,223	6/1994	Allen	.....	206/564	X
5,522,503	6/1996	Halbich	.....	206/366	

#### OTHER PUBLICATIONS

Undated promotional sheet of Jordan Enterprises.  
Modern Packaging, p. 639 1958.  
Modern Packaging, p. 227 1967.  
Packaging Review, p. 27 Sep. 1981.

**1 Claim, 8 Drawing Sheets**

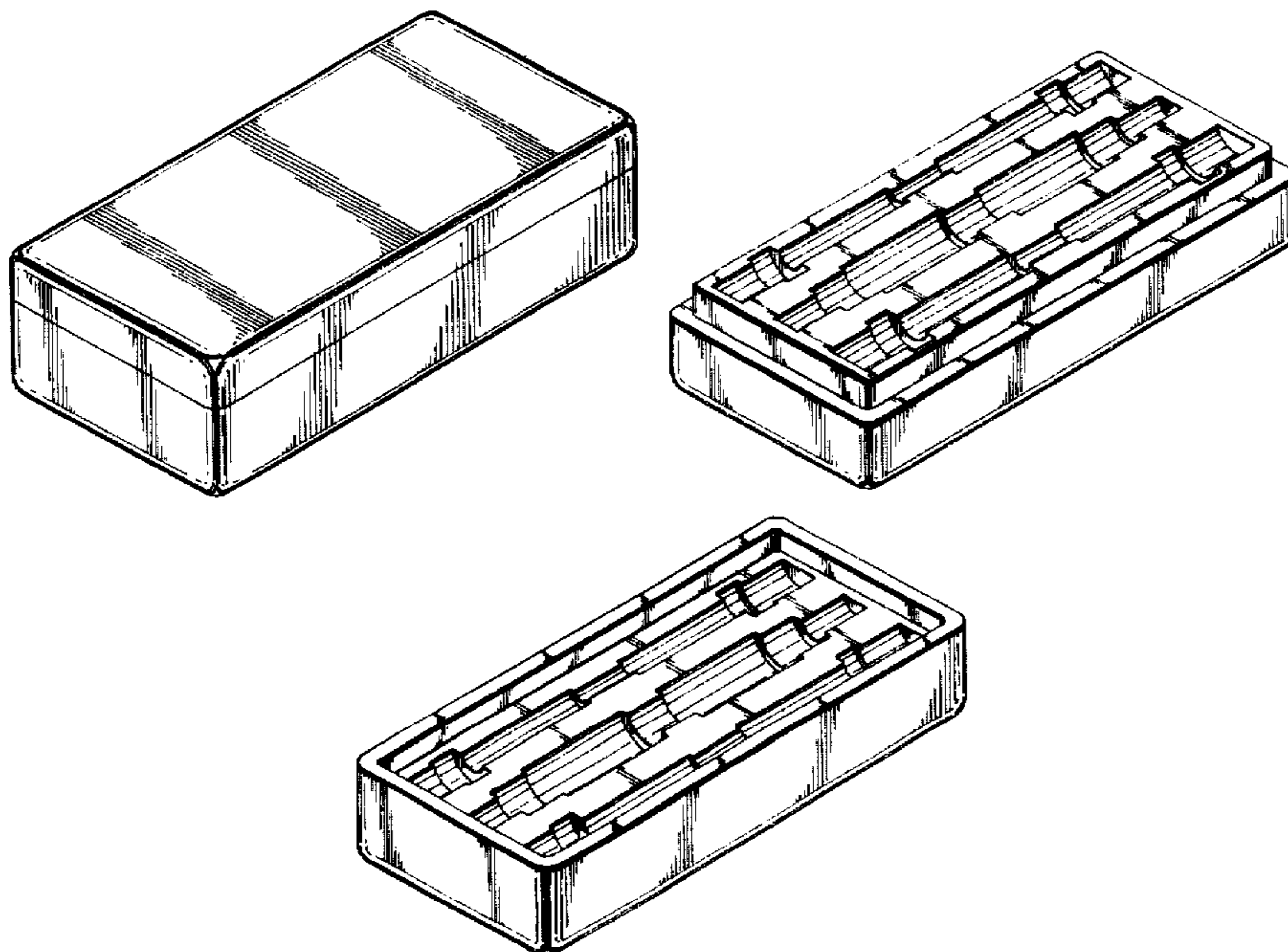


FIG. 1

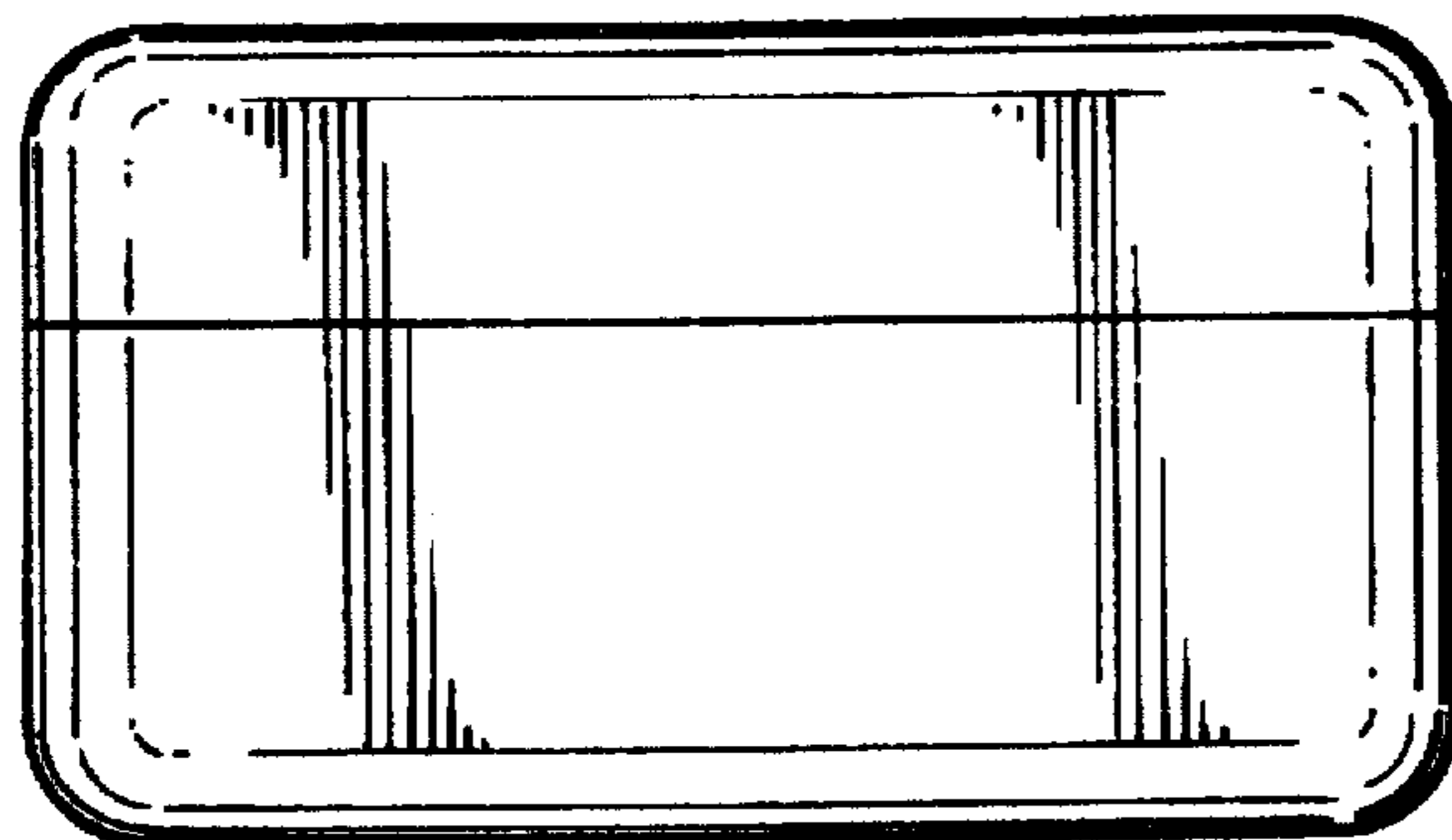
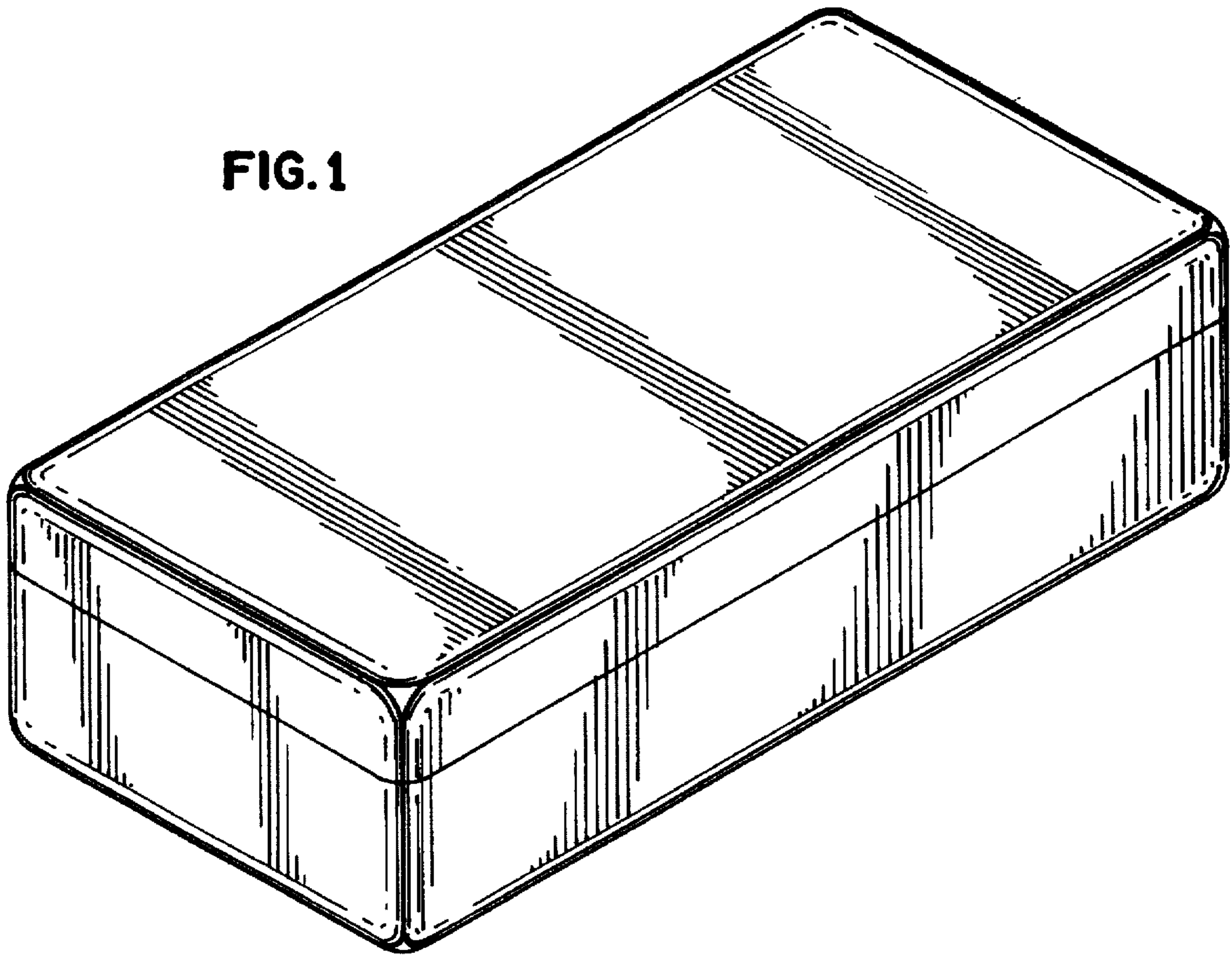
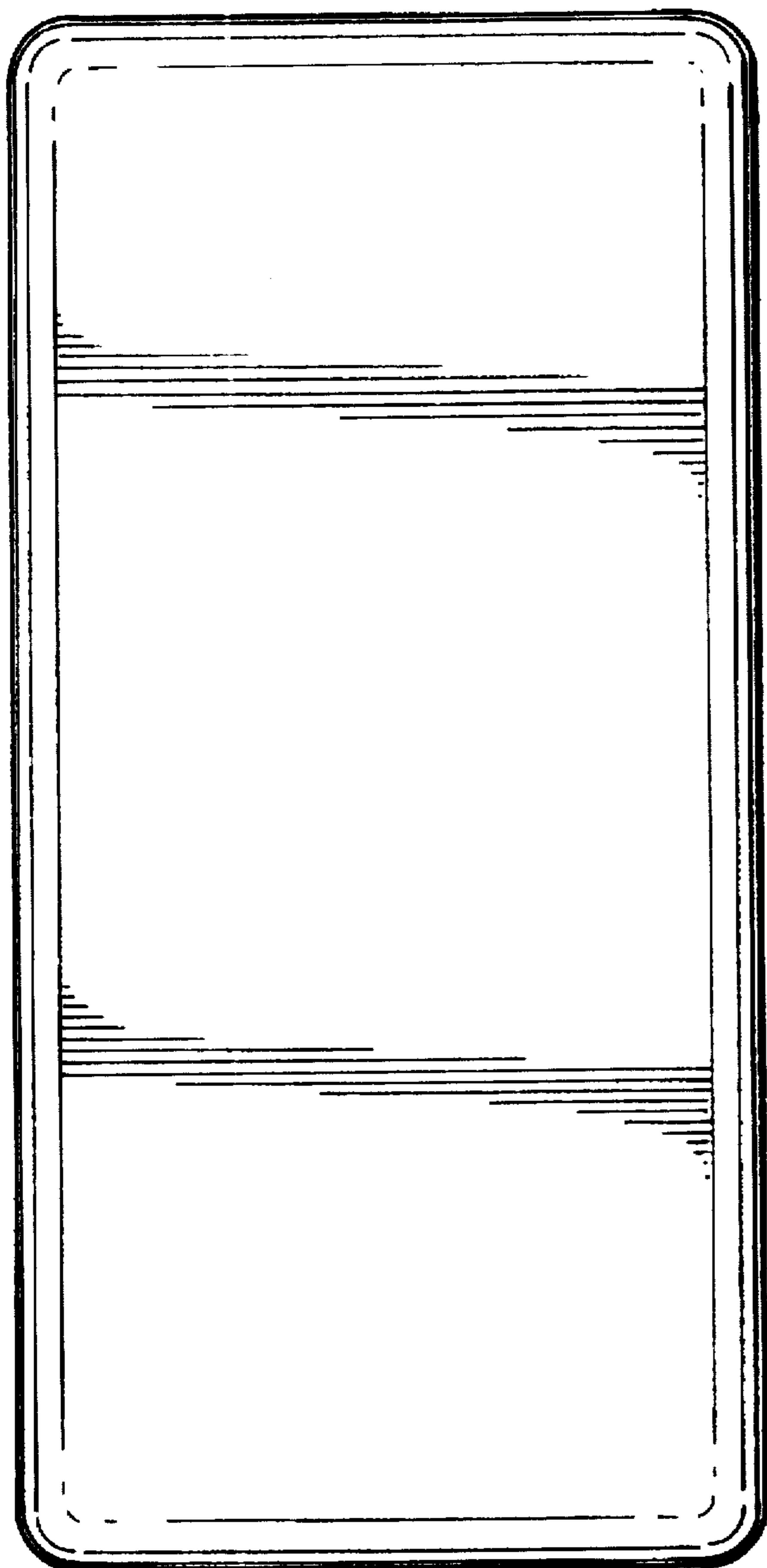


FIG. 2

**FIG. 3**



**FIG. 4**

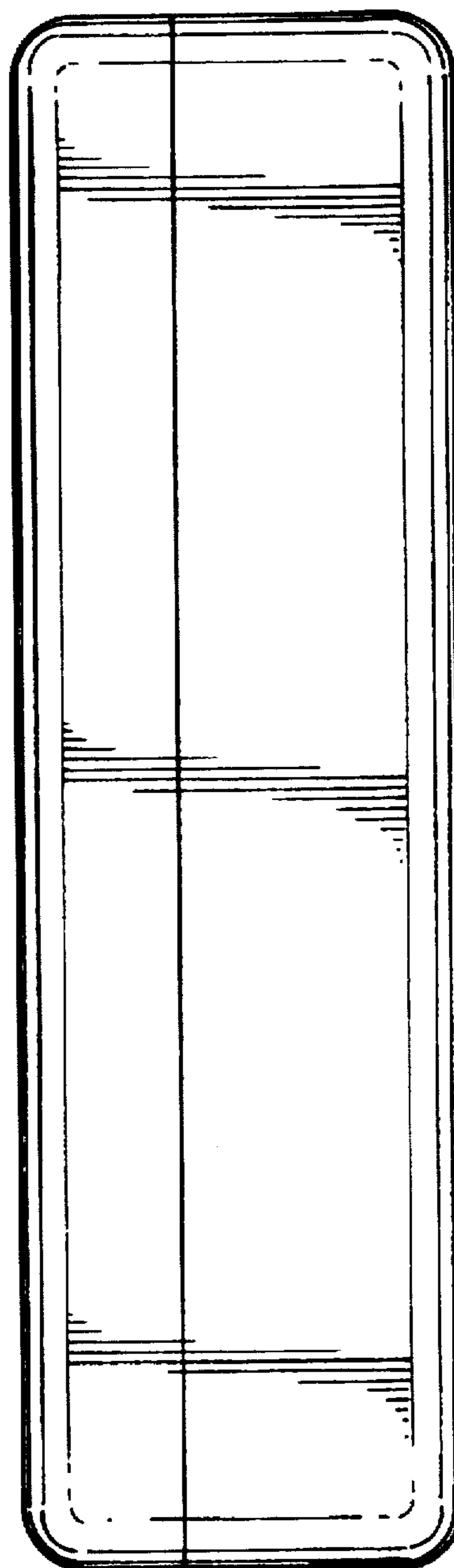




FIG. 5

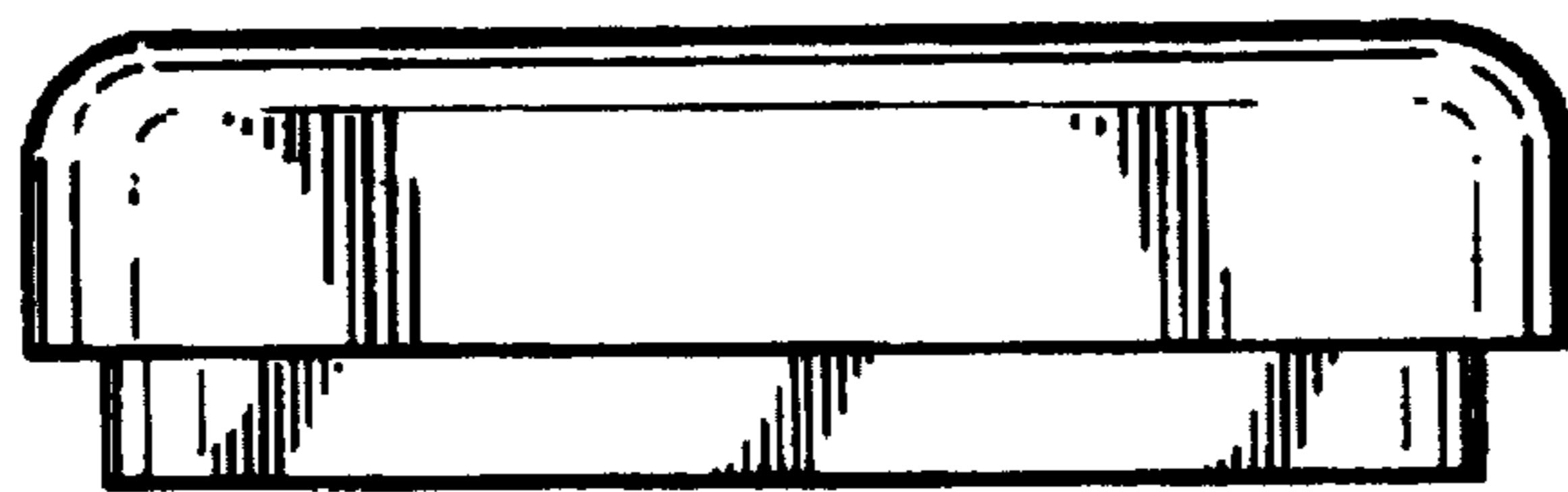
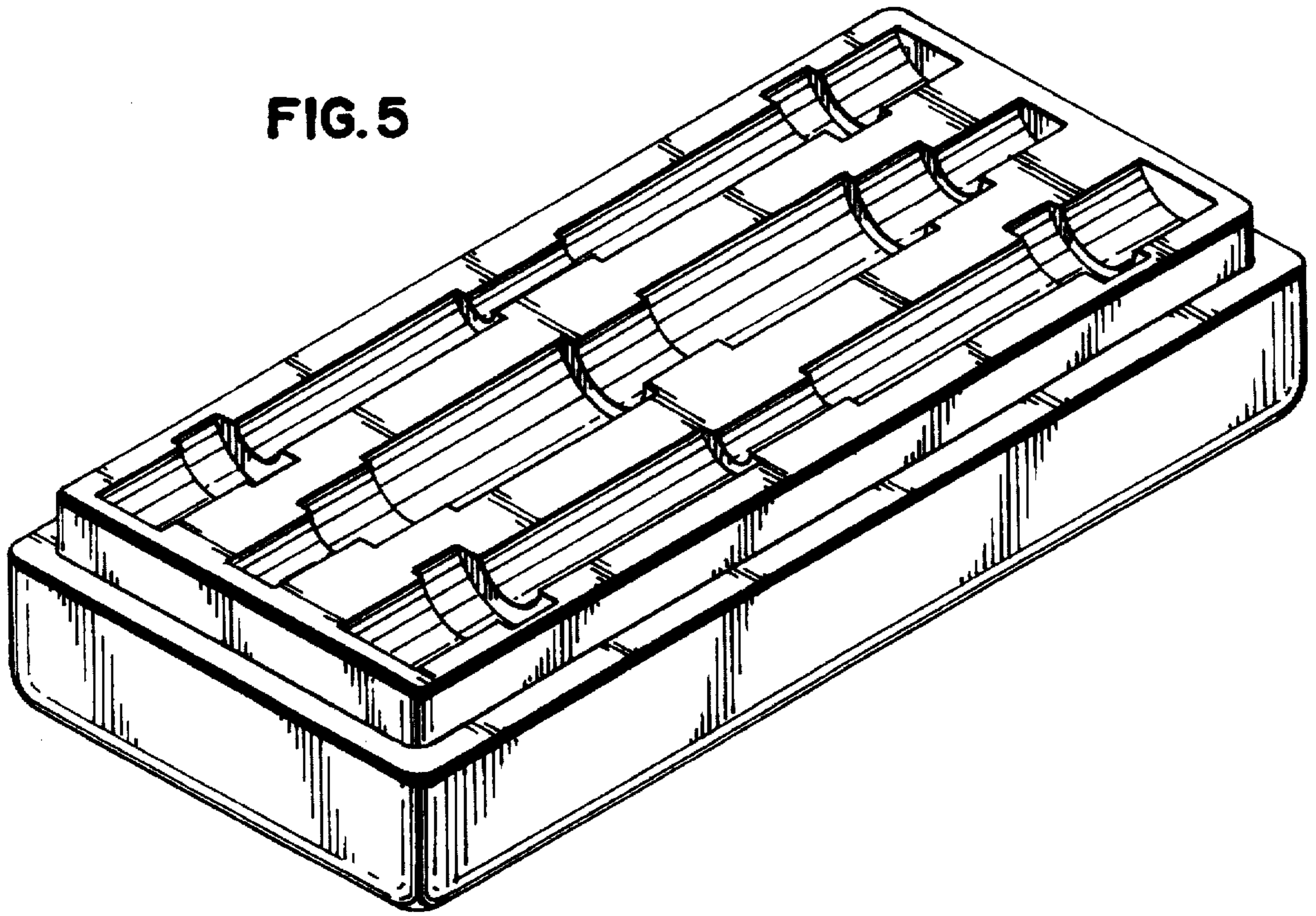


FIG. 6

**FIG. 7**

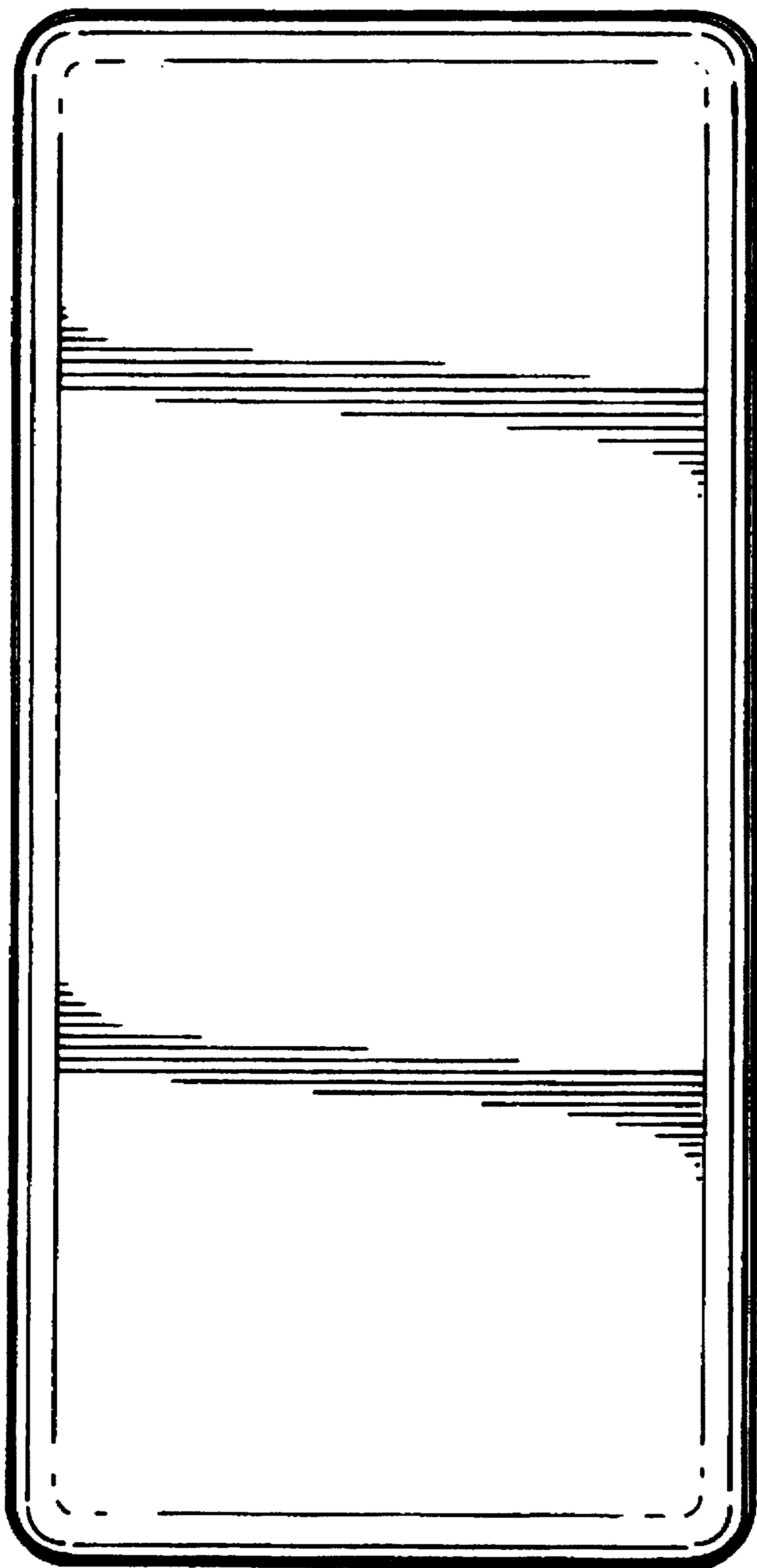


FIG. 8

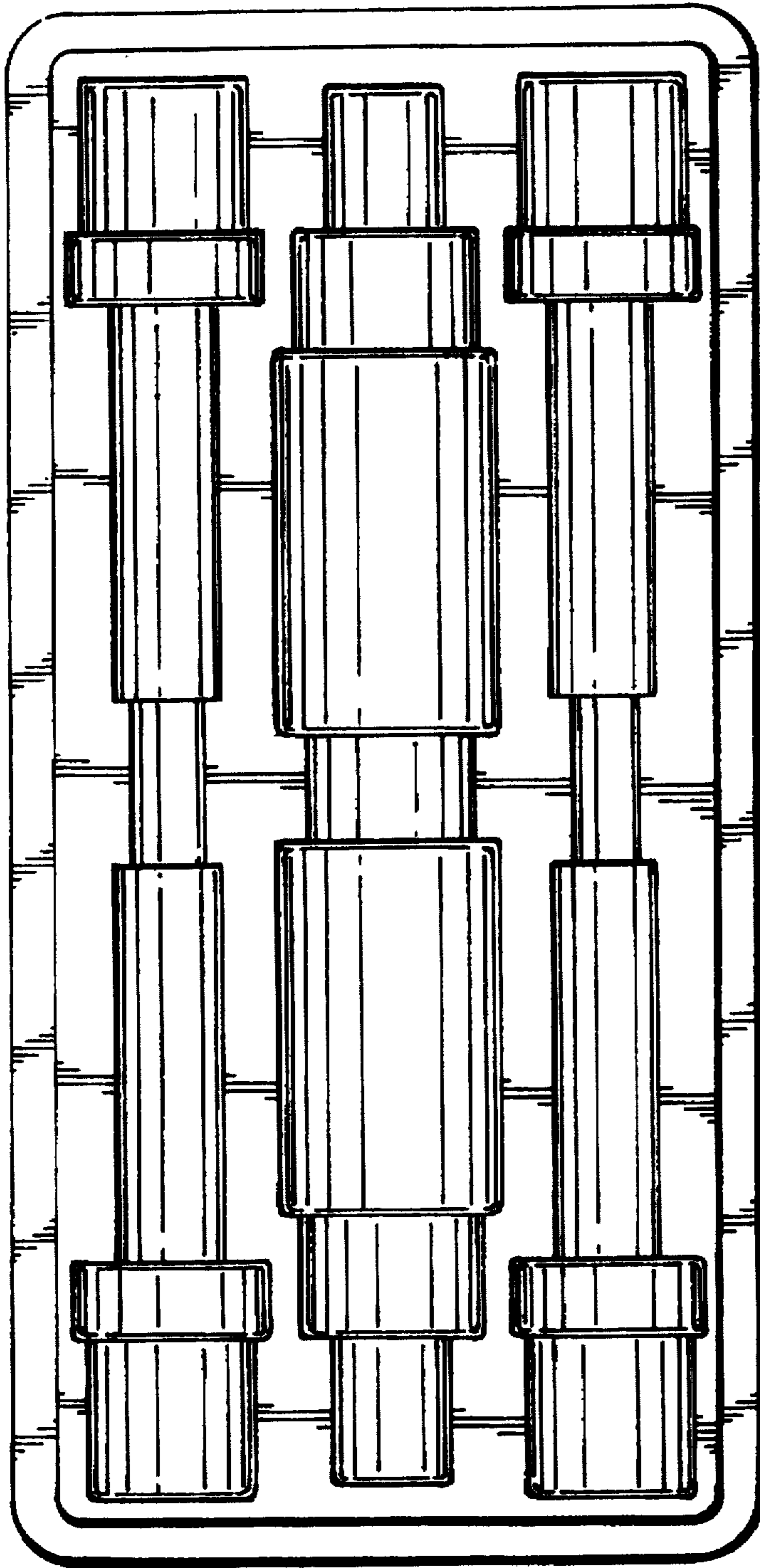


FIG. 9

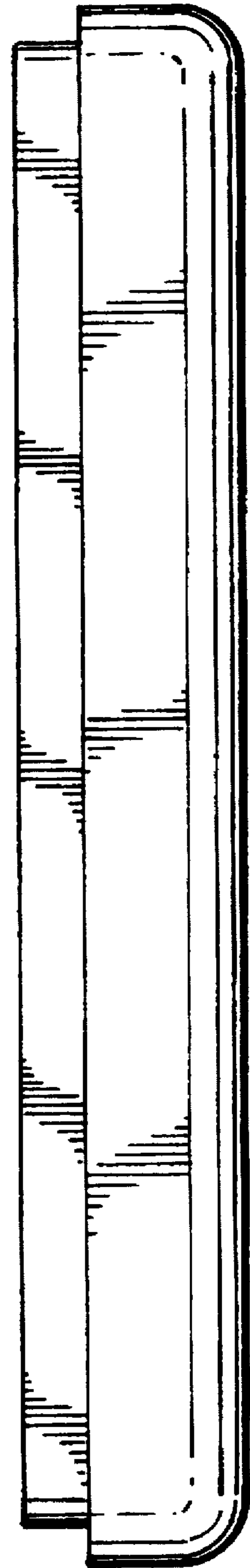


FIG. 10

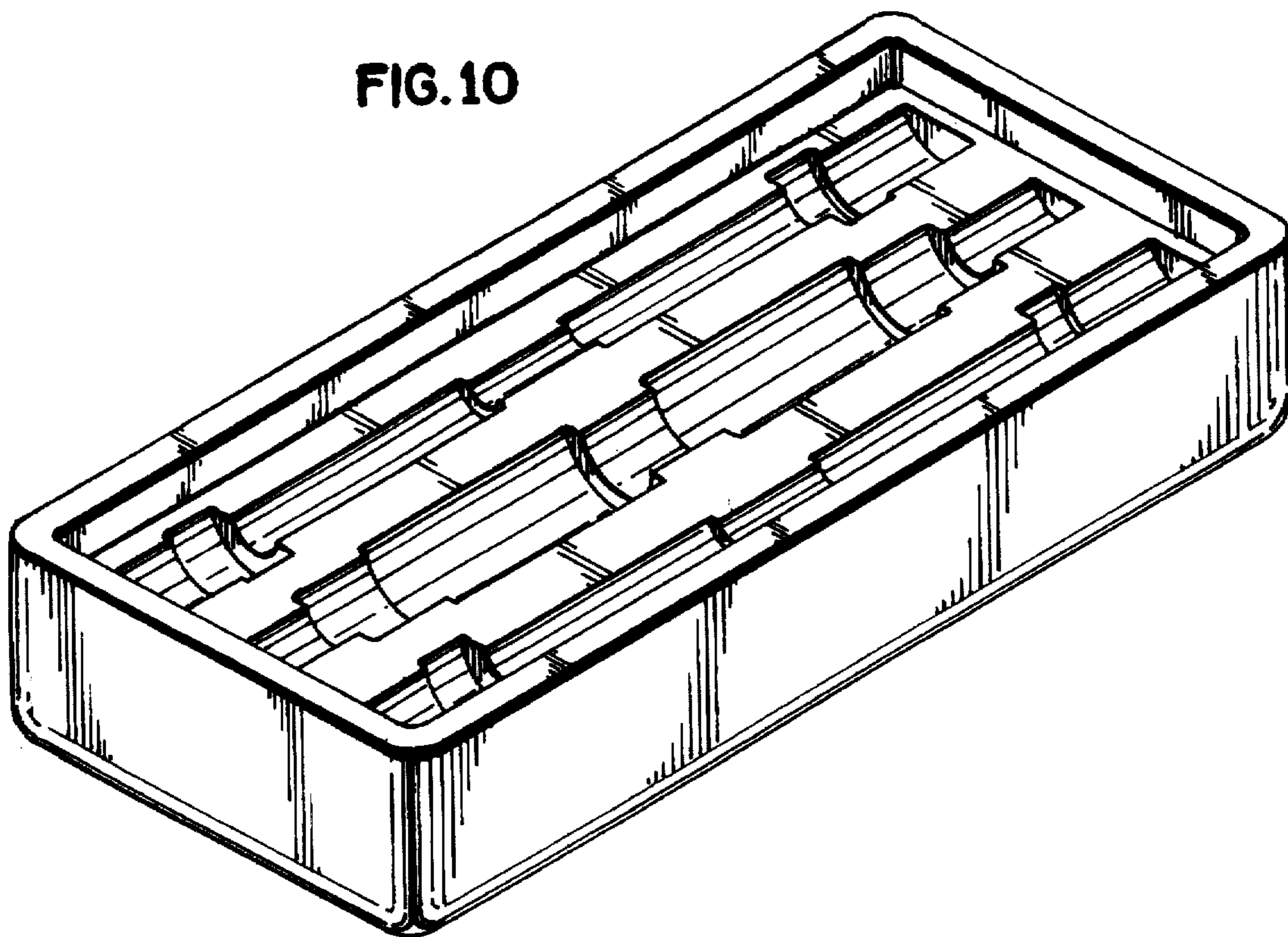


FIG. 11

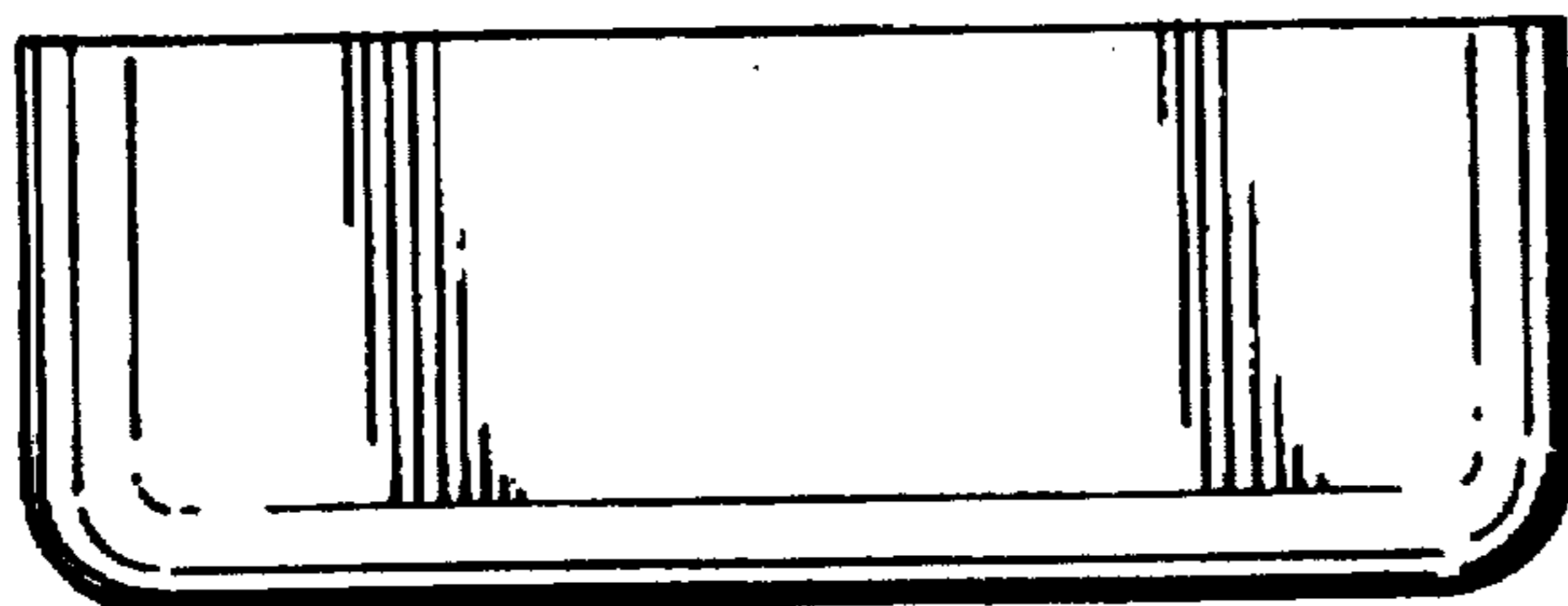




FIG. 12

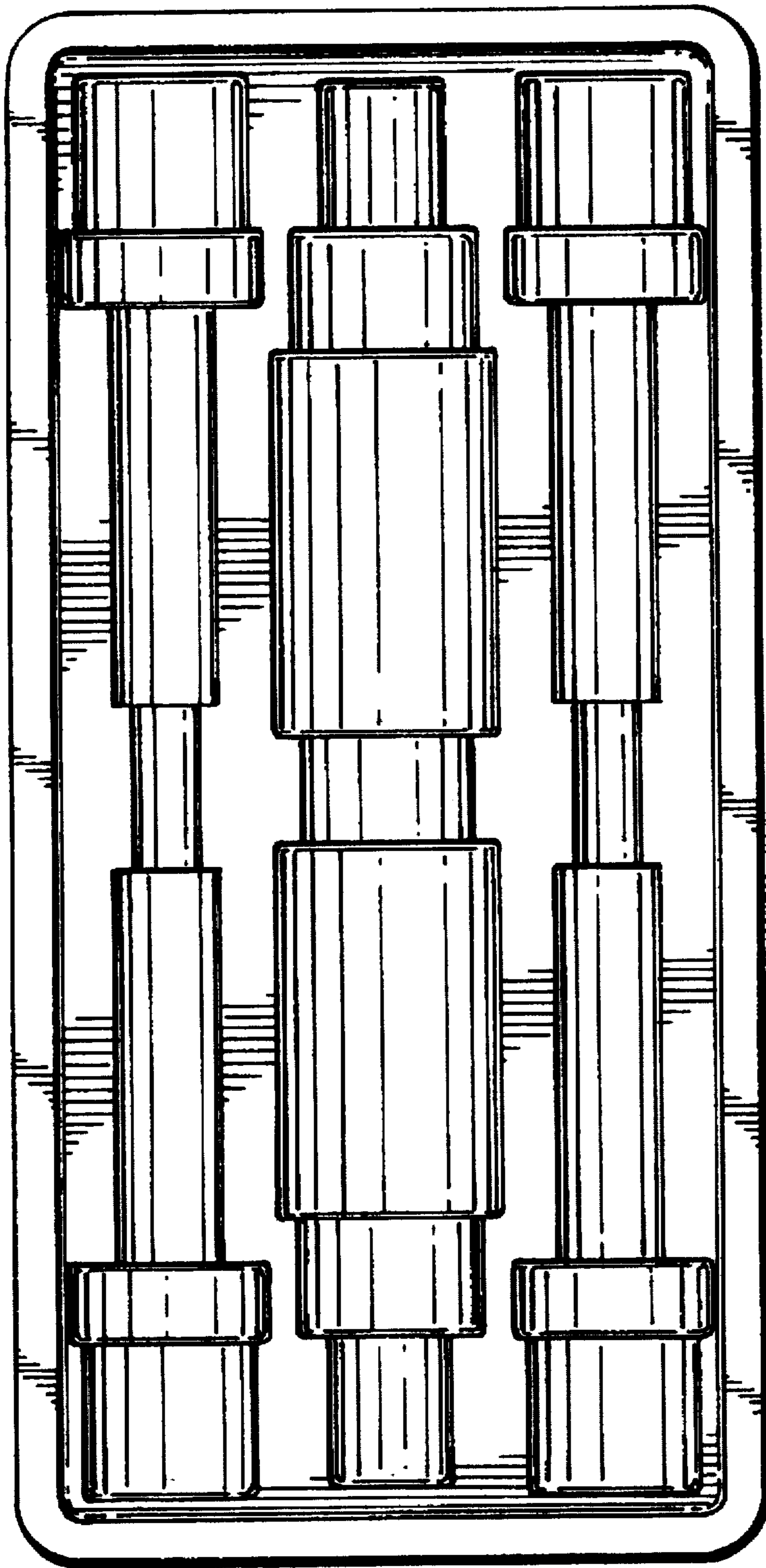
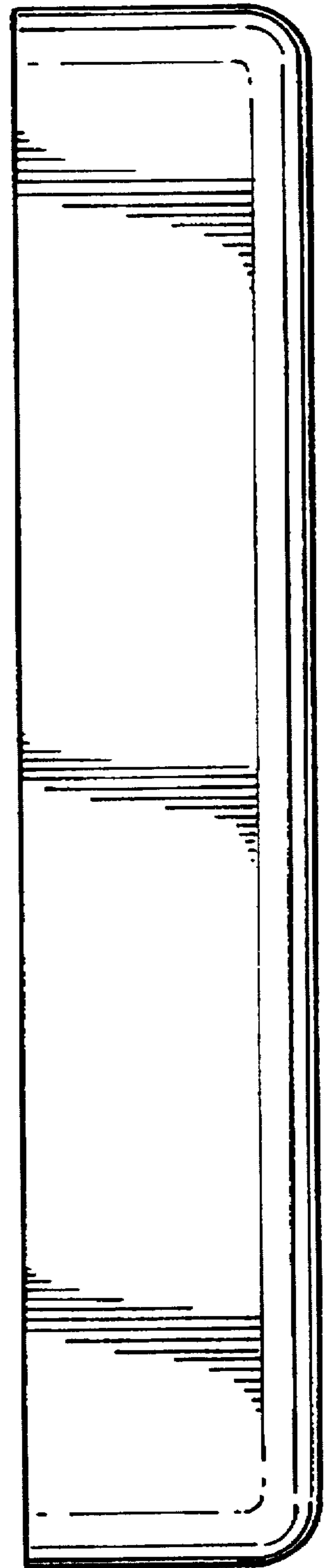


FIG. 13





**FIG. 14**

