

US00D389634S

**United States Patent** [19]  
**Shope**

[11] **Patent Number: Des. 389,634**  
[45] **Date of Patent: \*\*Jan. 20, 1998**

- [54] **TRASH BAG EXPANDER**
- [76] **Inventor: Robert William Shope, 1363 N. Fifth Ave., Upland, Calif. 91786**
- [\*\*] **Term: 14 Years**
- [21] **Appl. No.: 65,115**
- [22] **Filed: Jan. 21, 1997**
- [51] **LOC (6) Cl. .... 09-09**
- [52] **U.S. Cl. .... D34/6**
- [58] **Field of Search ..... D34/1, 5-7, 10; 220/908, 909, 403, 404, 407, 409; 248/95, 97, 99**

4,759,518	7/1988	Yardas	.....	D34/6
4,901,959	2/1990	Sstage	.....	220/404
5,060,893	10/1991	Halbert	.....	248/99
5,499,787	3/1996	Bonomo	.....	248/97

*Primary Examiner*—Holly Baynham  
*Assistant Examiner*—Robin V. Taylor

[57] **CLAIM**

The ornamental design for a trash bag expander, as shown and described.

**DESCRIPTION**

FIG. 1 is a front elevational view of the trash bag expander showing my new design;  
FIG. 2 is a rear elevational view thereof;  
FIG. 3 is a right side view thereof;  
FIG. 4 is a left side view thereof;  
FIG. 5 is a top plan view thereof; and,  
FIG. 6 is a bottom plan view thereof.

[56] **References Cited**

**U.S. PATENT DOCUMENTS**

D. 275,807	10/1984	Peterson	.....	D34/6
D. 353,695	12/1994	Turner	.....	D34/5
4,376,520	3/1983	Wetherington	.....	248/97

**1 Claim, 3 Drawing Sheets**

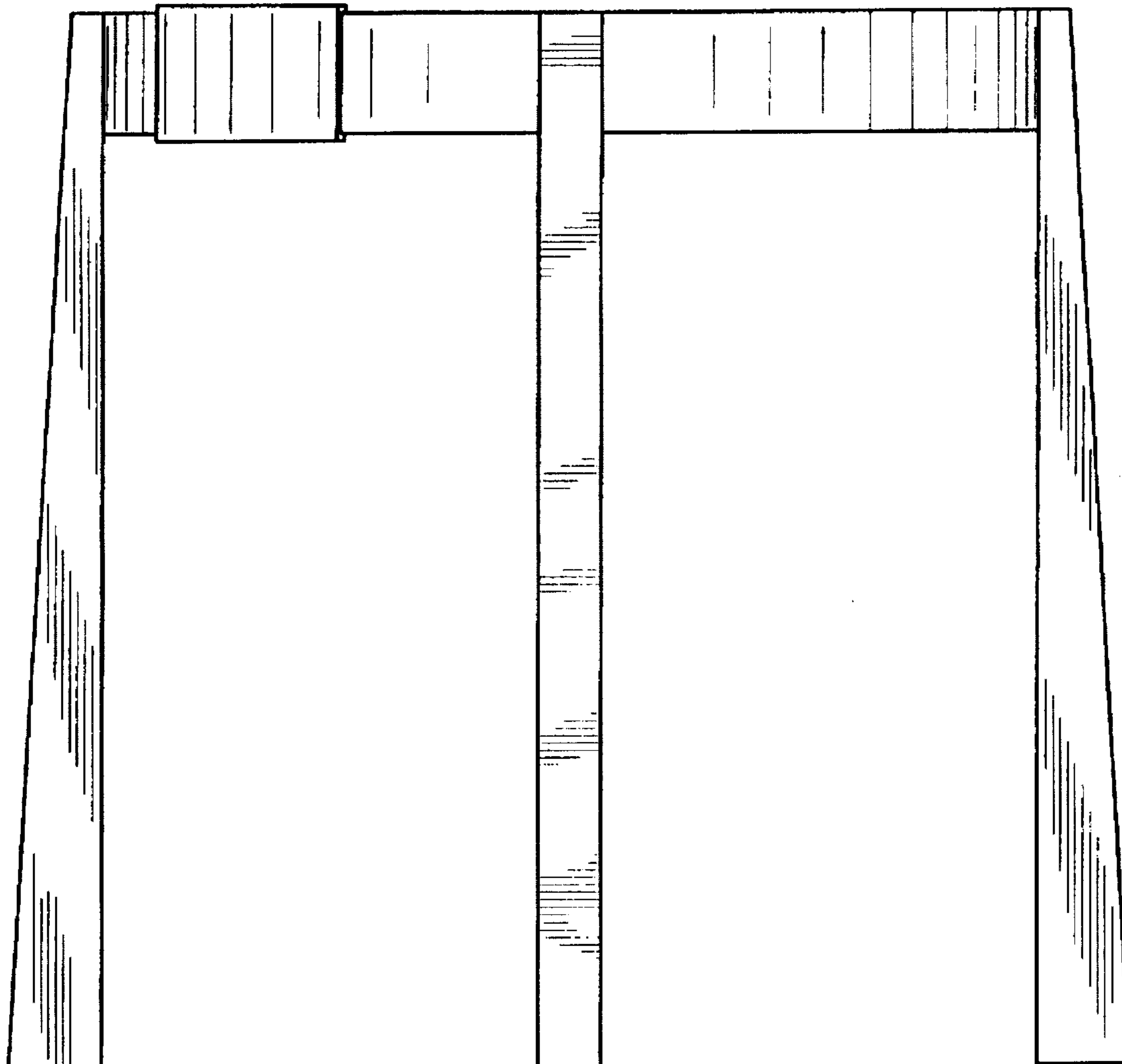


FIG. 1

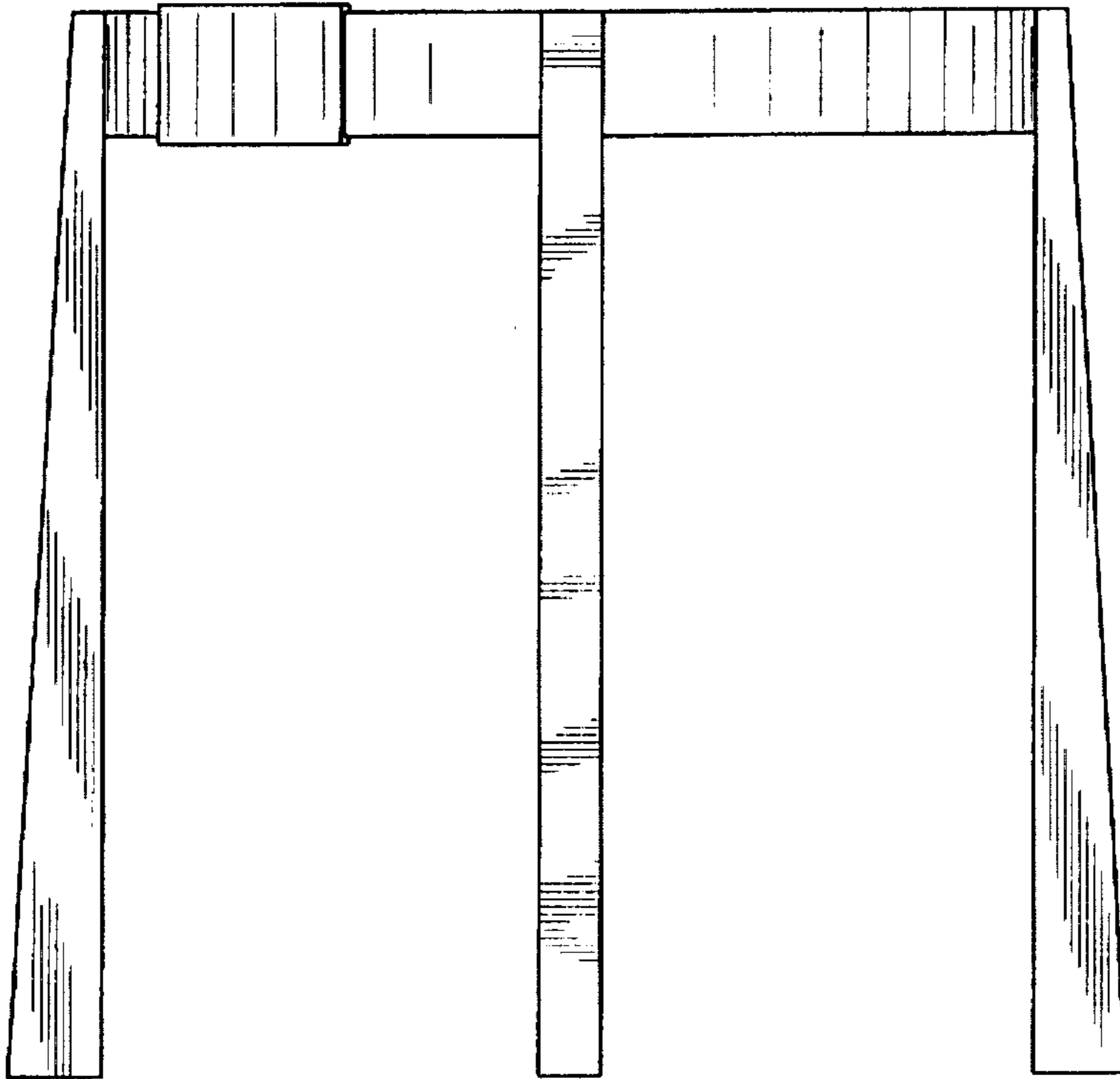


FIG. 2

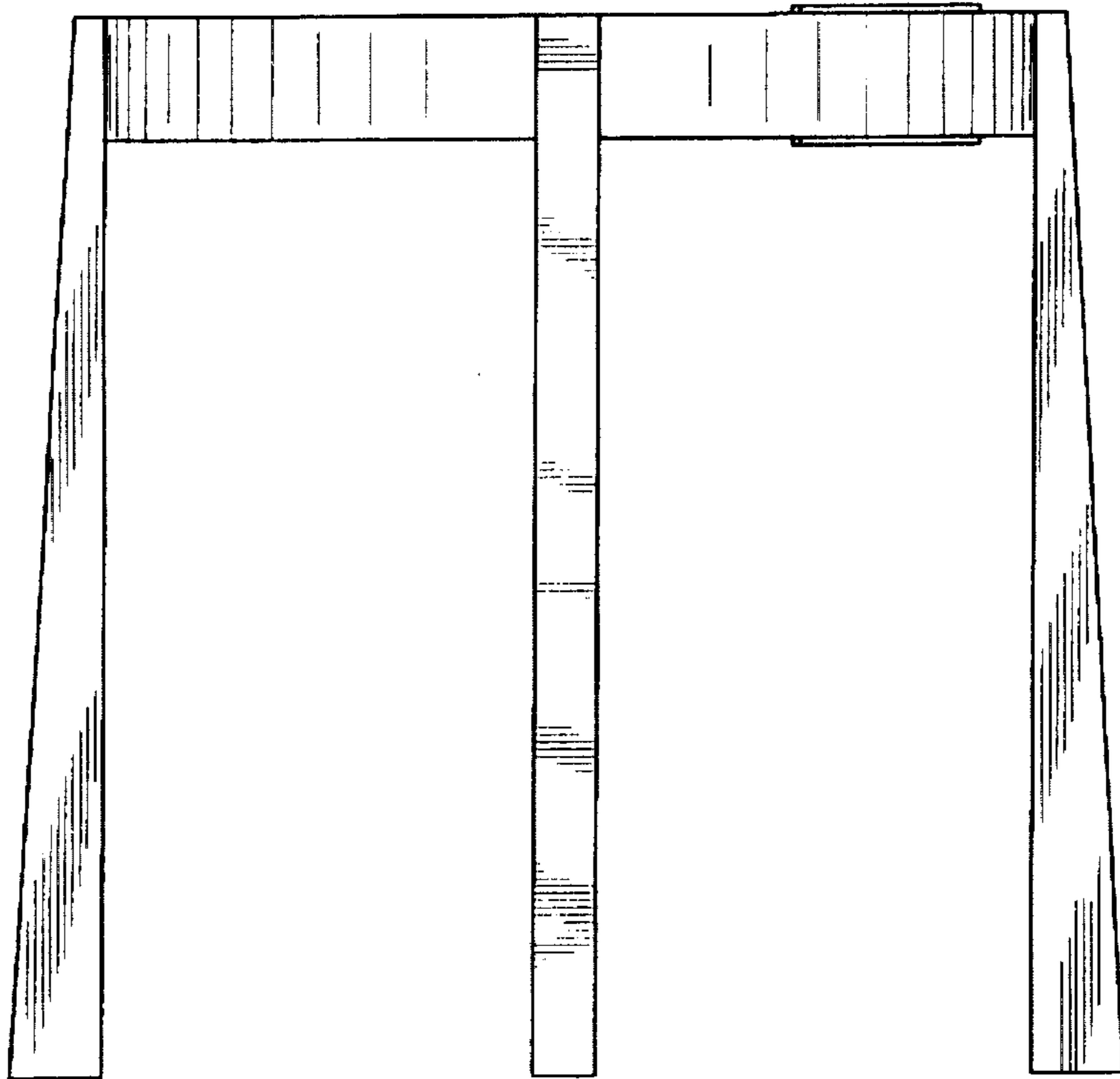


FIG. 3

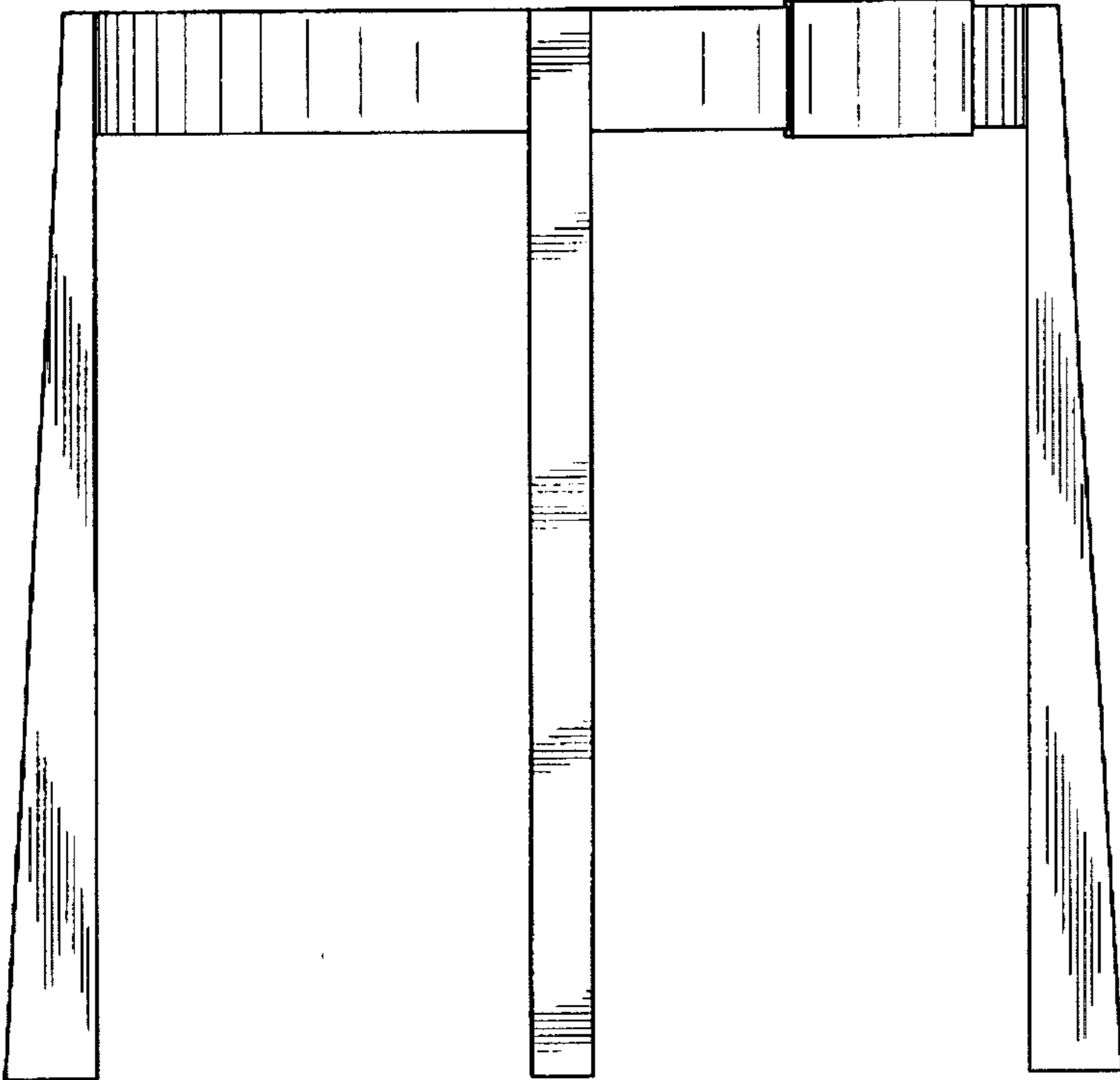


FIG. 4

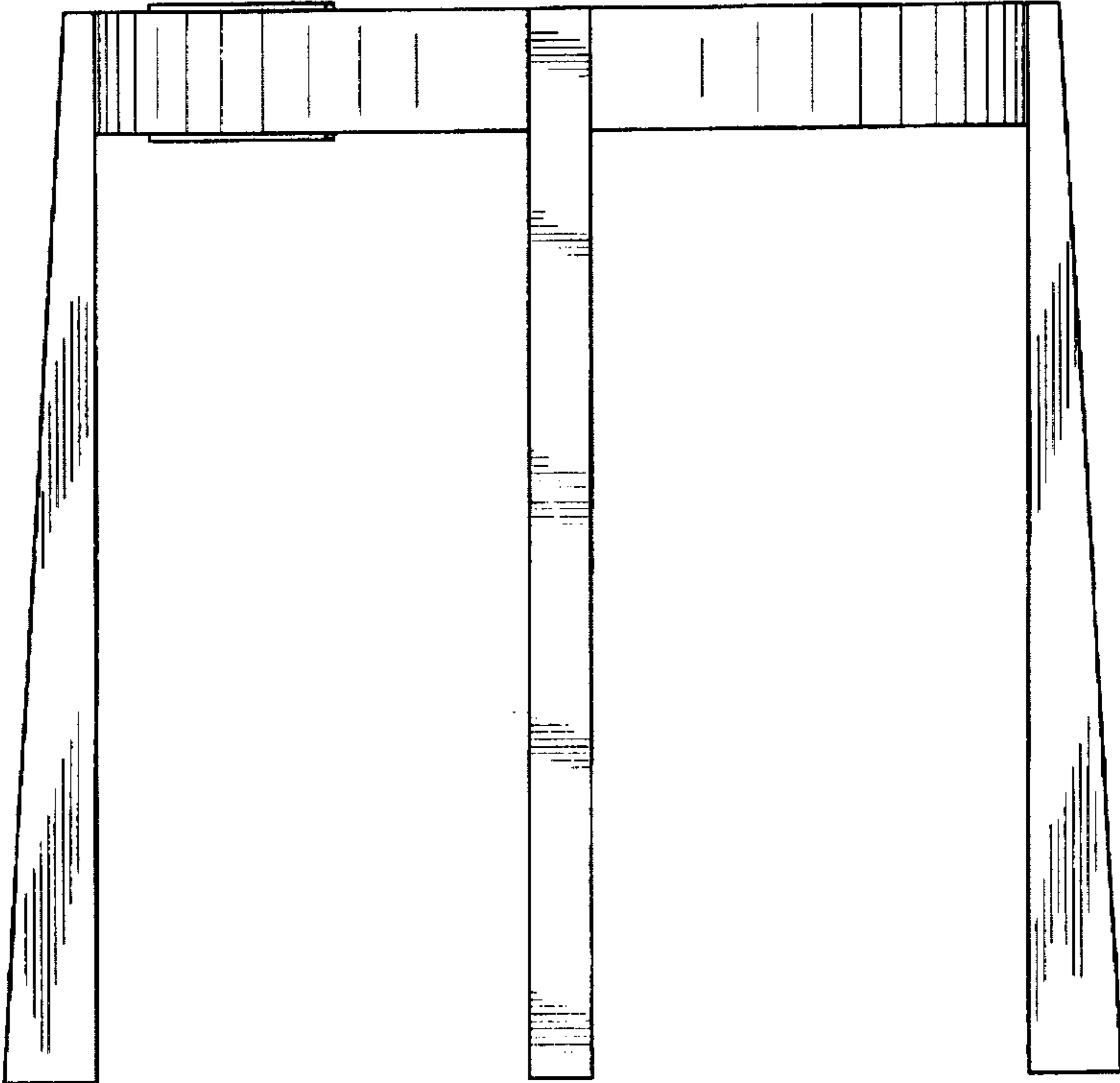


FIG. 5

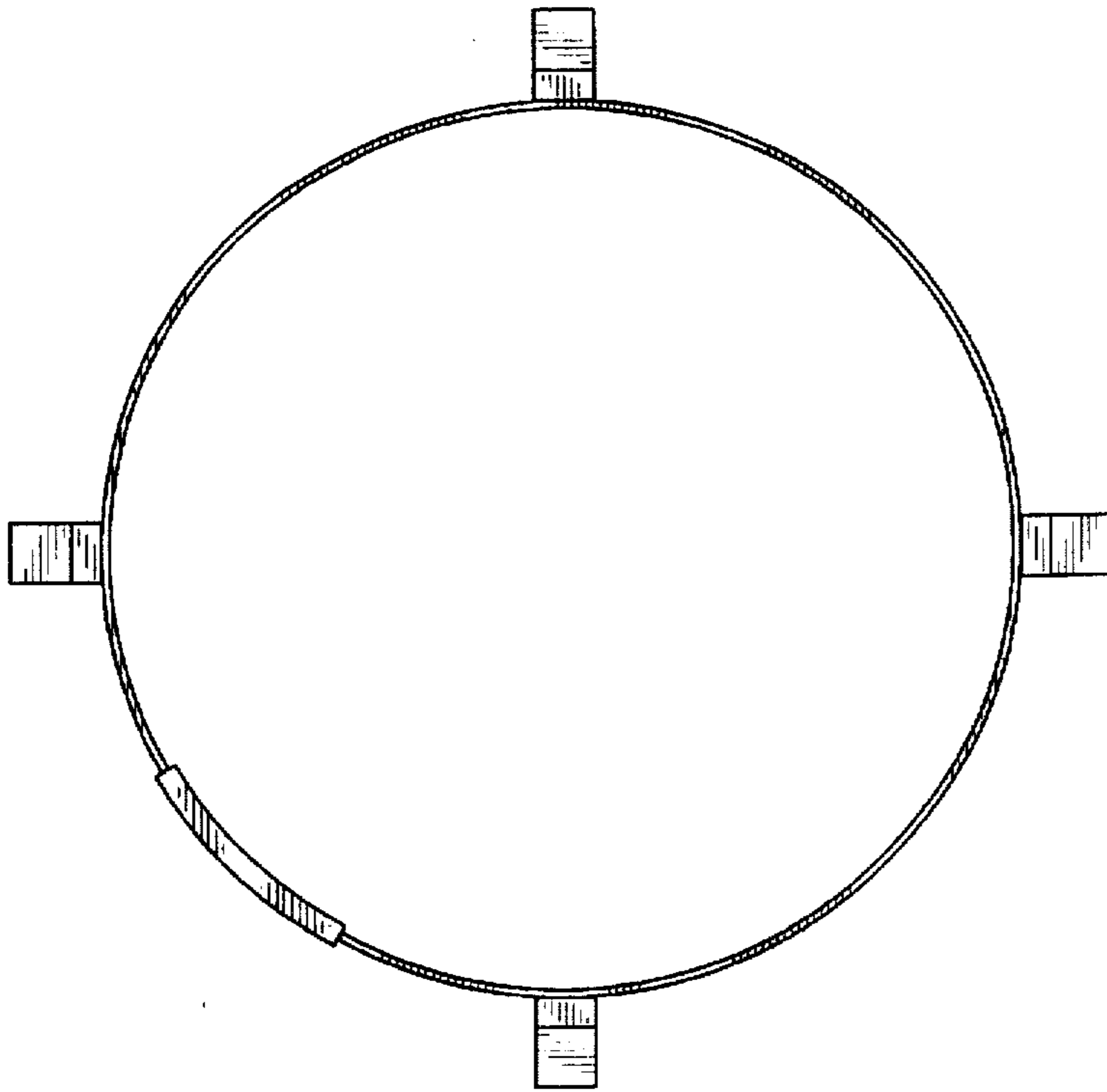


FIG. 6

