



US00D389633S

United States Patent [19]

Ziegler

[11] Patent Number: Des. 389,633

[45] Date of Patent: **Jan. 20, 1998

[54] DIAPER CONTAINMENT APPARATUS

[76] Inventor: Scott W. Ziegler, 932 Vista Del Monte Way, El Cajon, Calif. 92020

[**] Term: 14 Years

[21] Appl. No.: 61,548

[22] Filed: Oct. 25, 1996

[51] LOC (6) Cl. 09-09

[52] U.S. Cl. D34/6

[58] Field of Search D34/1, 5, 7, 10, D34/11; D6/567, 574; 248/95, 97, 99, 100; 53/570

[56] References Cited

U.S. PATENT DOCUMENTS

D. 279,616	7/1985	Deacon	D34/6
D. 280,457	9/1985	Gatward	D34/6
D. 352,582	11/1994	Hachenberg	D34/10
2,425,260	8/1947	Mayer	248/95
3,491,973	1/1970	Hartbauer et al.	248/97
4,893,719	1/1990	Lombardi et al.	220/23.4
4,998,695	3/1991	Nobis	D34/6

Primary Examiner—Alan P. Douglas
Assistant Examiner—Robin V. Taylor
Attorney, Agent, or Firm—Stetina Brunda Garred & Brucker

[57] CLAIM

The ornamental design for a diaper containment apparatus, as shown and described.

DESCRIPTION

FIG. 1 is a front, top perspective view of the diaper containment apparatus of the present invention showing my new design, the broken line showings of the diaper bag and wall hanging bracket being for illustrative purposes only and forming no part of the claimed design;

FIG. 2 is a front, top perspective view of the diaper containment apparatus of the present invention, the broken line showings of the diaper bag, crib and crib hanger bracket being for illustrative purposes only and forming no part of the claimed design;

FIG. 3 is a front, top perspective view of the diaper containment apparatus of the present invention;

FIG. 4 is a rear, bottom perspective view thereof; and, FIG. 5 is a front, bottom perspective view thereof.

1 Claim, 2 Drawing Sheets

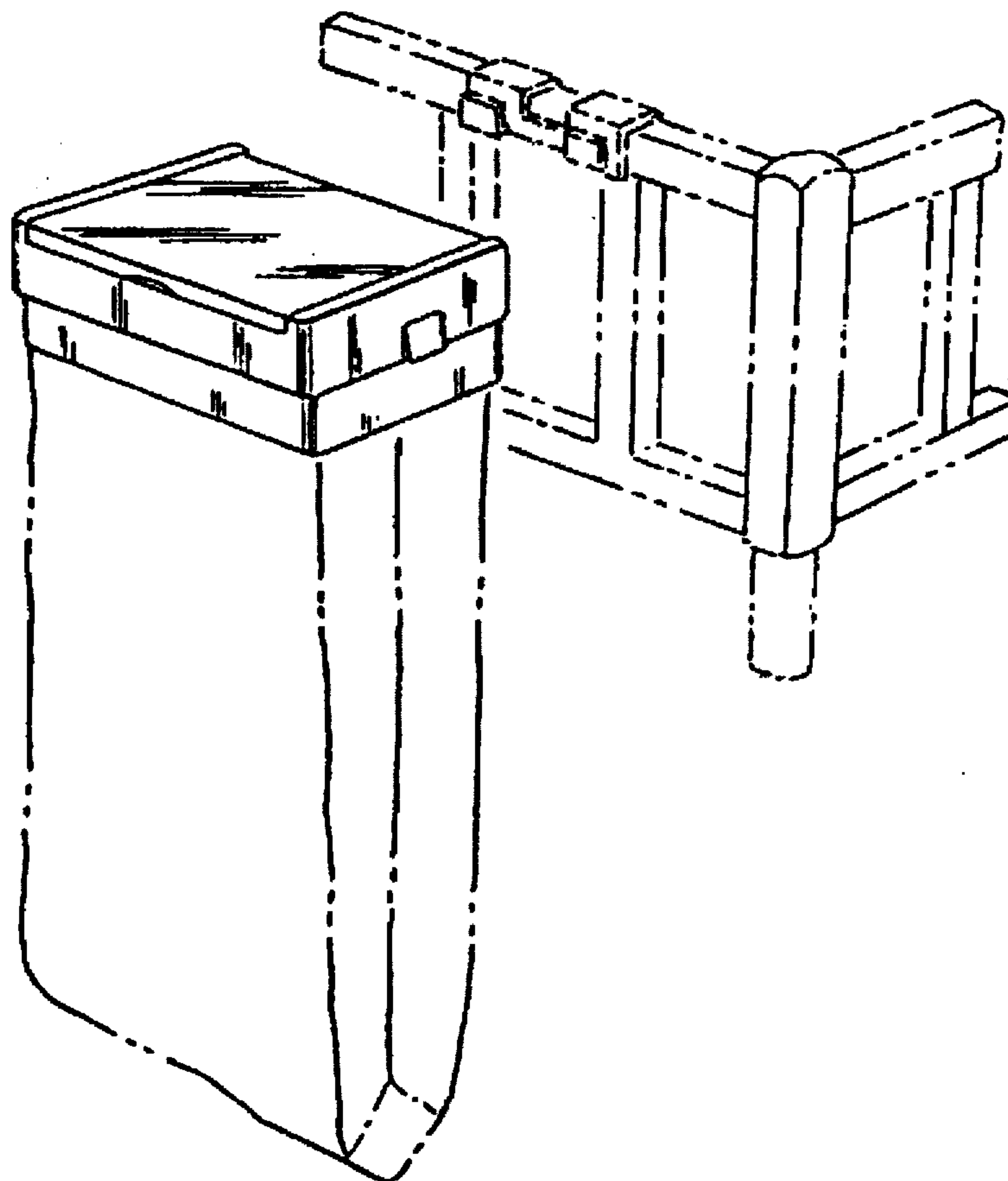


Fig. 1

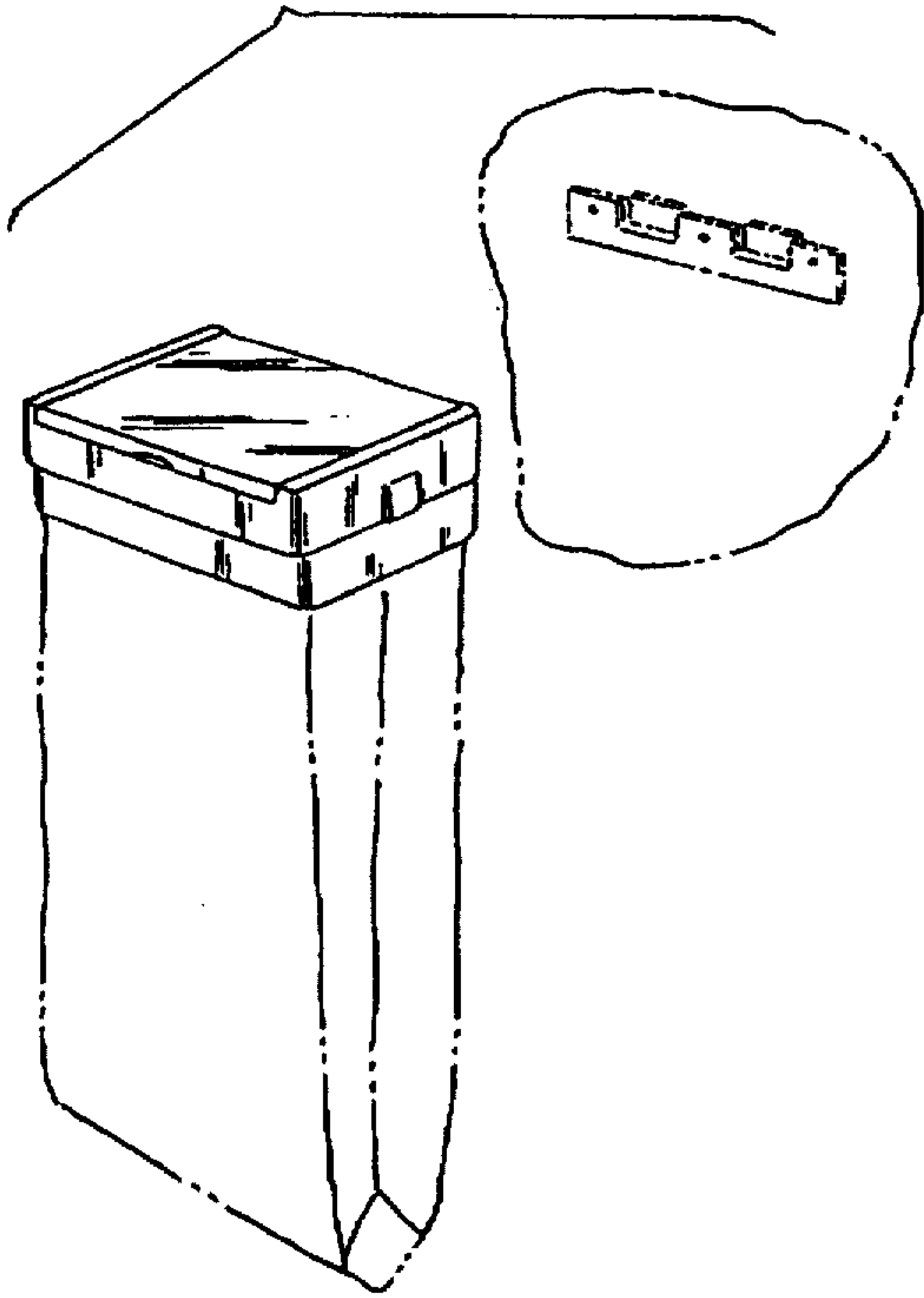


Fig. 2

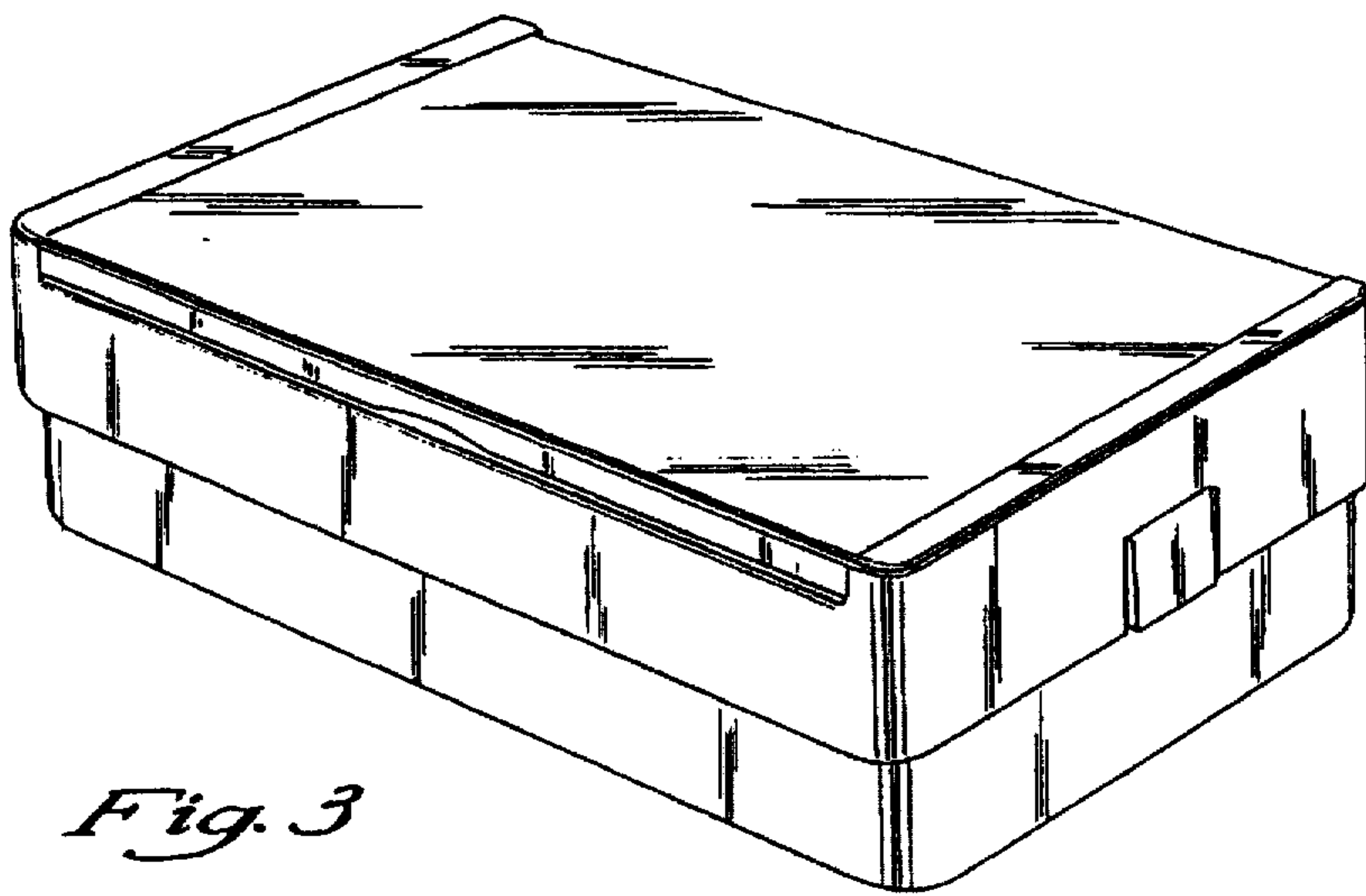
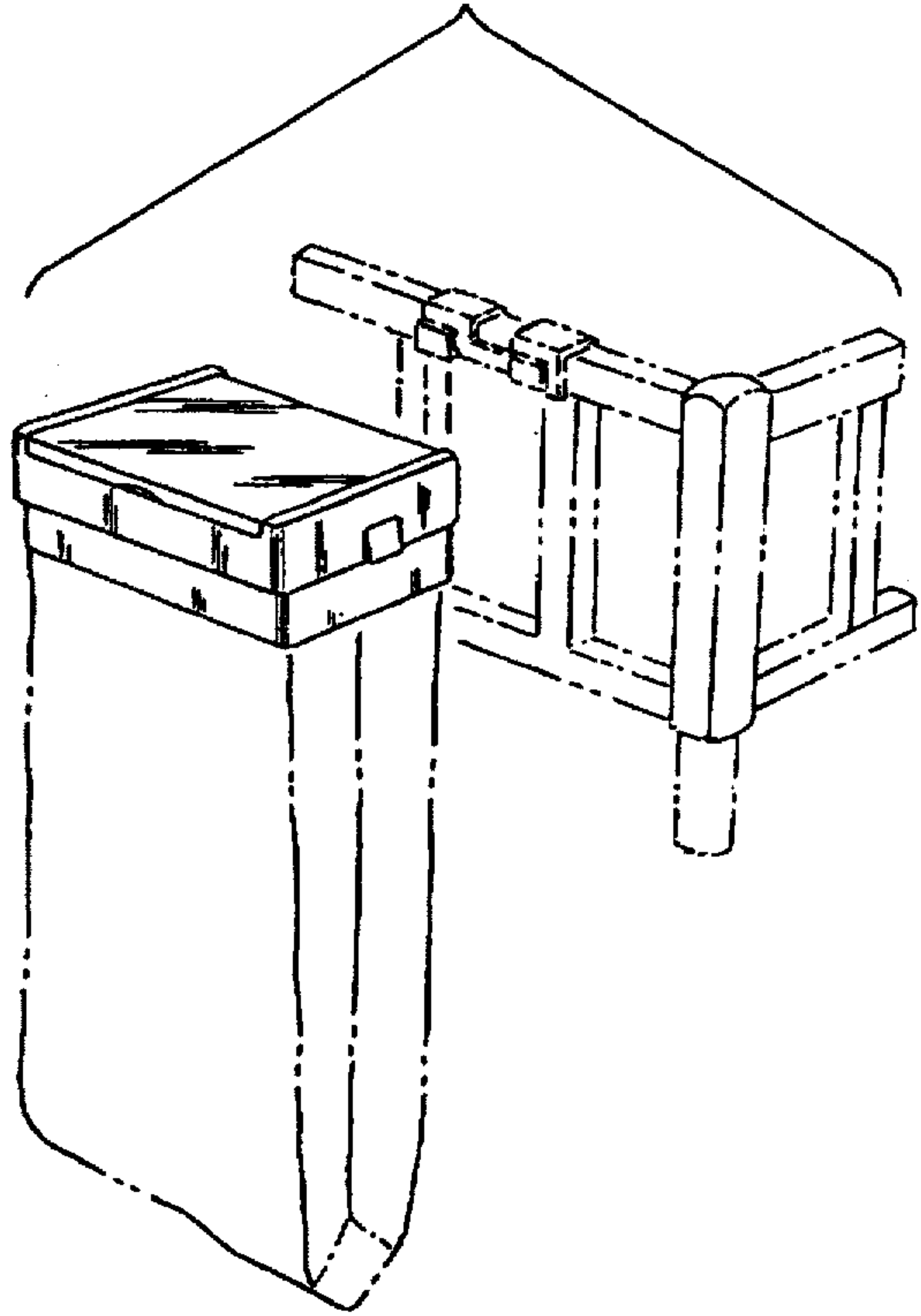


Fig. 3

Fig. 4

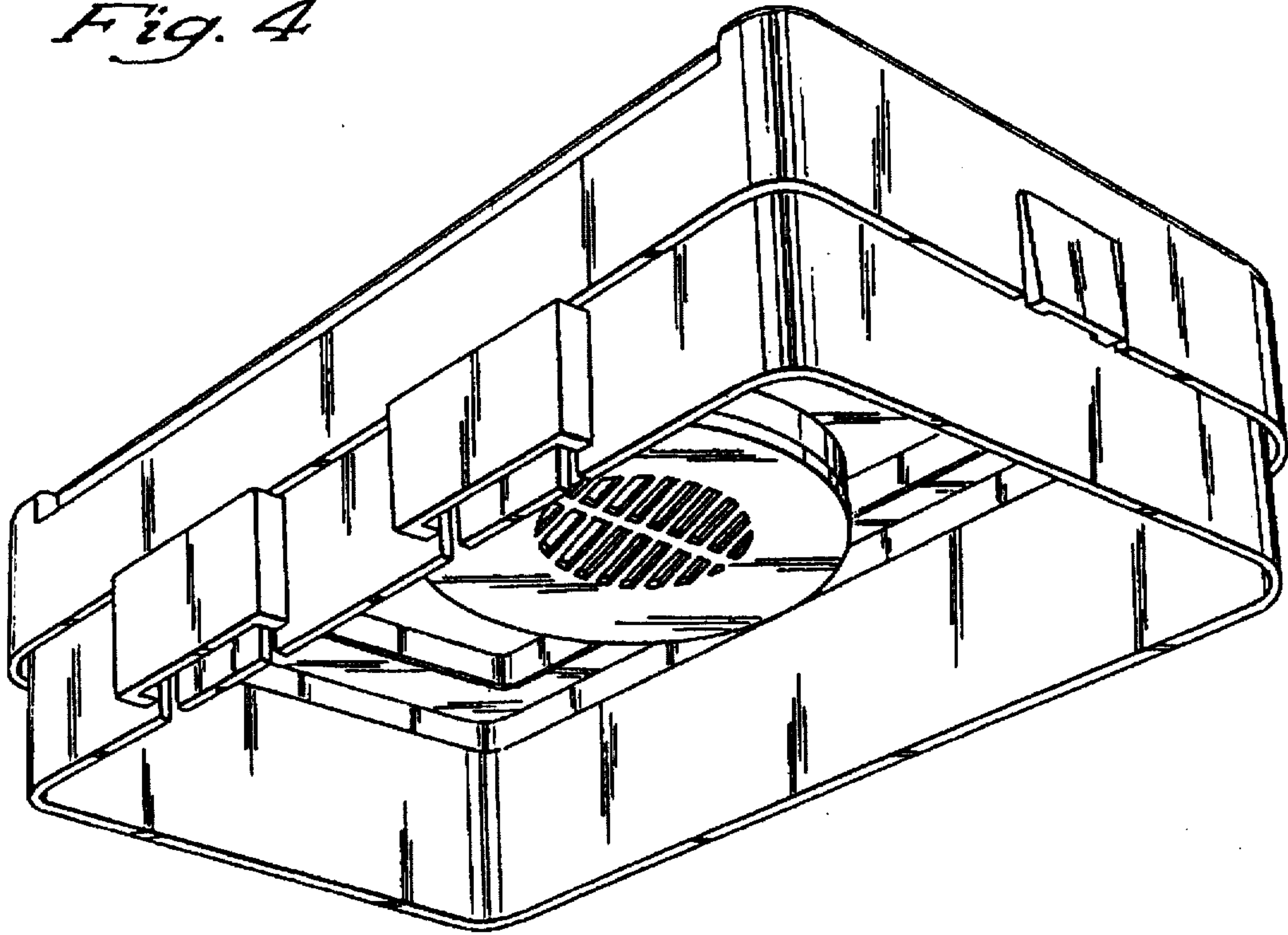


Fig. 5

