



US00D389632S

United States Patent [19]

Reddin

[11] Patent Number: **Des. 389,632**

[45] Date of Patent: ****Jan. 20, 1998**

[54] **TRASH BAG HOLDER**

[76] Inventor: **Raymond A. Reddin**, 4 Heritage Ct., Totowa, N.J. 07512

[**] Term: **14 Years**

[21] Appl. No.: **51,724**

[22] Filed: **Mar. 5, 1996**

[51] LOC (6) Cl. **09-09**

[52] U.S. Cl. **D34/6**

[58] Field of Search D34/1, 5, 6, 10; 248/95, 97, 99, 101; D6/566, 567, 462, 463; 220/908, 9.2, 9.3

[56] **References Cited**

U.S. PATENT DOCUMENTS

D. 216,437	1/1970	Vosbikian	D34/6
D. 326,172	5/1992	Bieseke	D34/5
1,542,164	6/1925	Nelson	248/97
4,174,085	11/1979	Ferreira	248/97

4,304,378	12/1981	Briggs	248/97
4,705,246	11/1987	Wolf	D34/6
5,016,844	5/1991	Garvin	248/97

Primary Examiner—Kay H. Chin
Assistant Examiner—Robin V. Taylor
Attorney, Agent, or Firm—Siegmar Silber

[57] **CLAIM**

The ornamental design for a trash bag holder, as shown and described.

DESCRIPTION

FIG. 1 is a perspective view of a trash bag holder; FIG. 2 is a right side elevational view of FIG. 1, the left side being a mirror image thereof; FIG. 3 is a front elevational view of FIG. 1; FIG. 4 is a rear elevational view of FIG. 1; and, FIG. 5 is a top plan view of FIG. 1, the bottom plan view being a mirror image thereof.

1 Claim, 3 Drawing Sheets

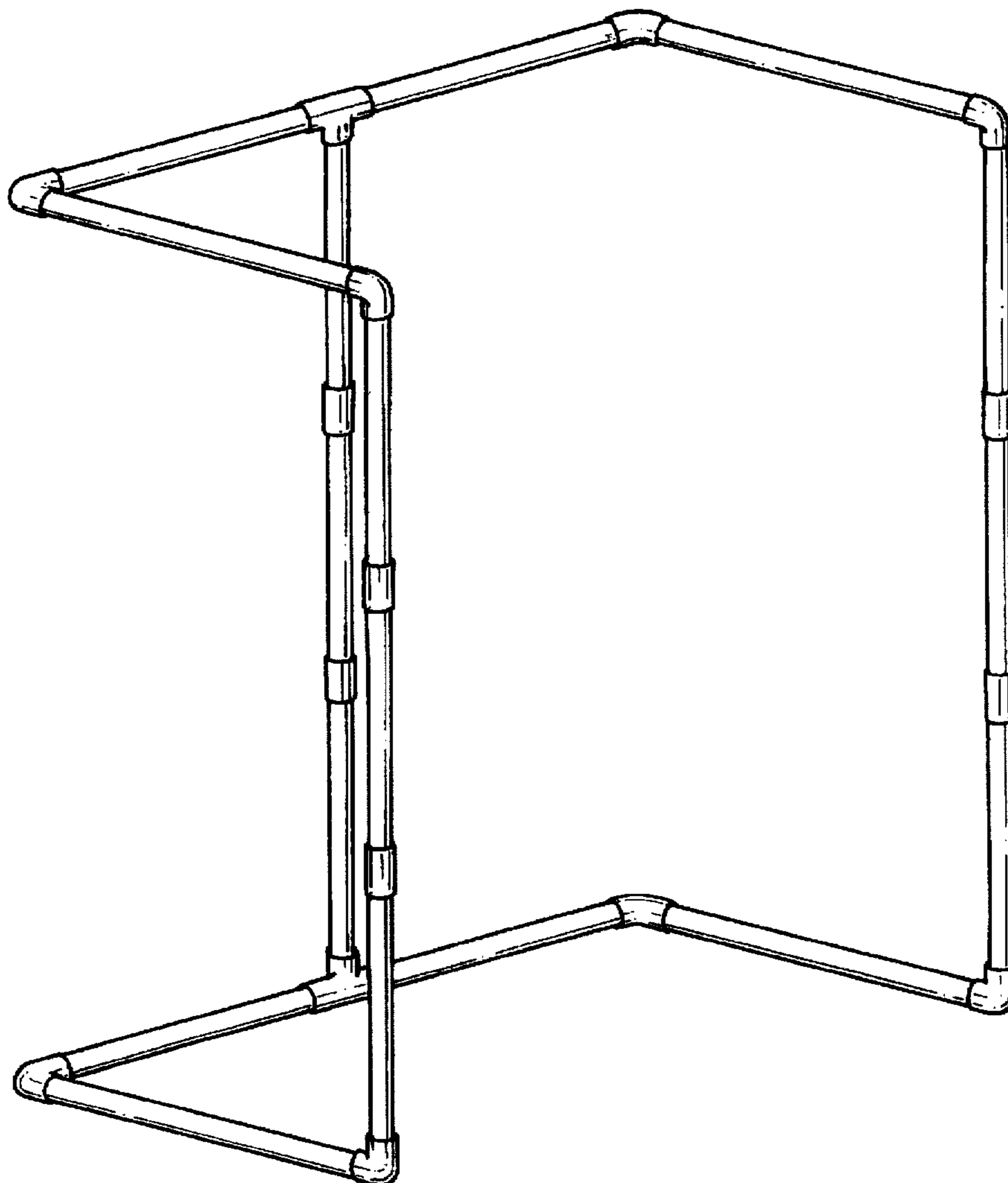


FIG. 1

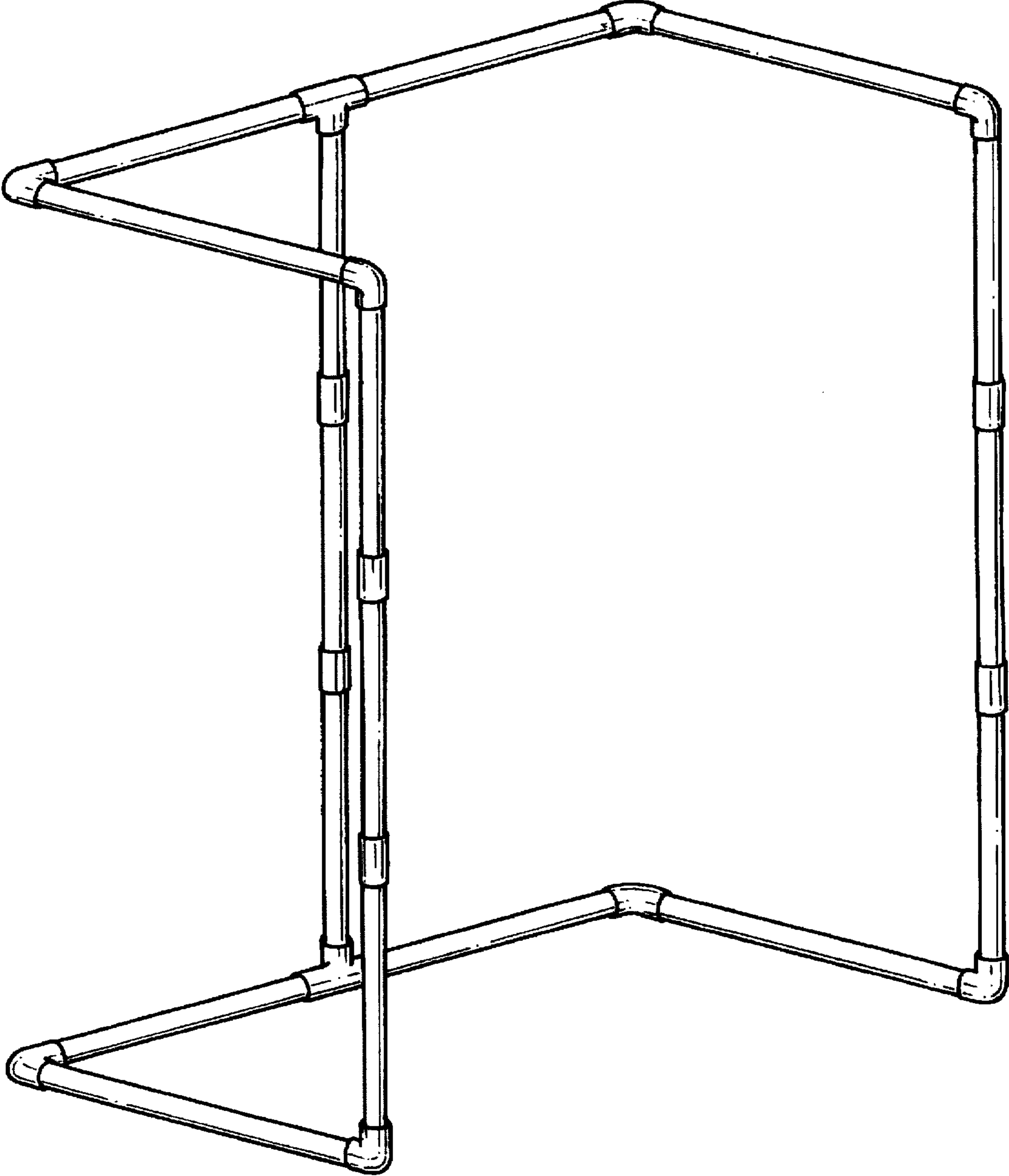


FIG. 2

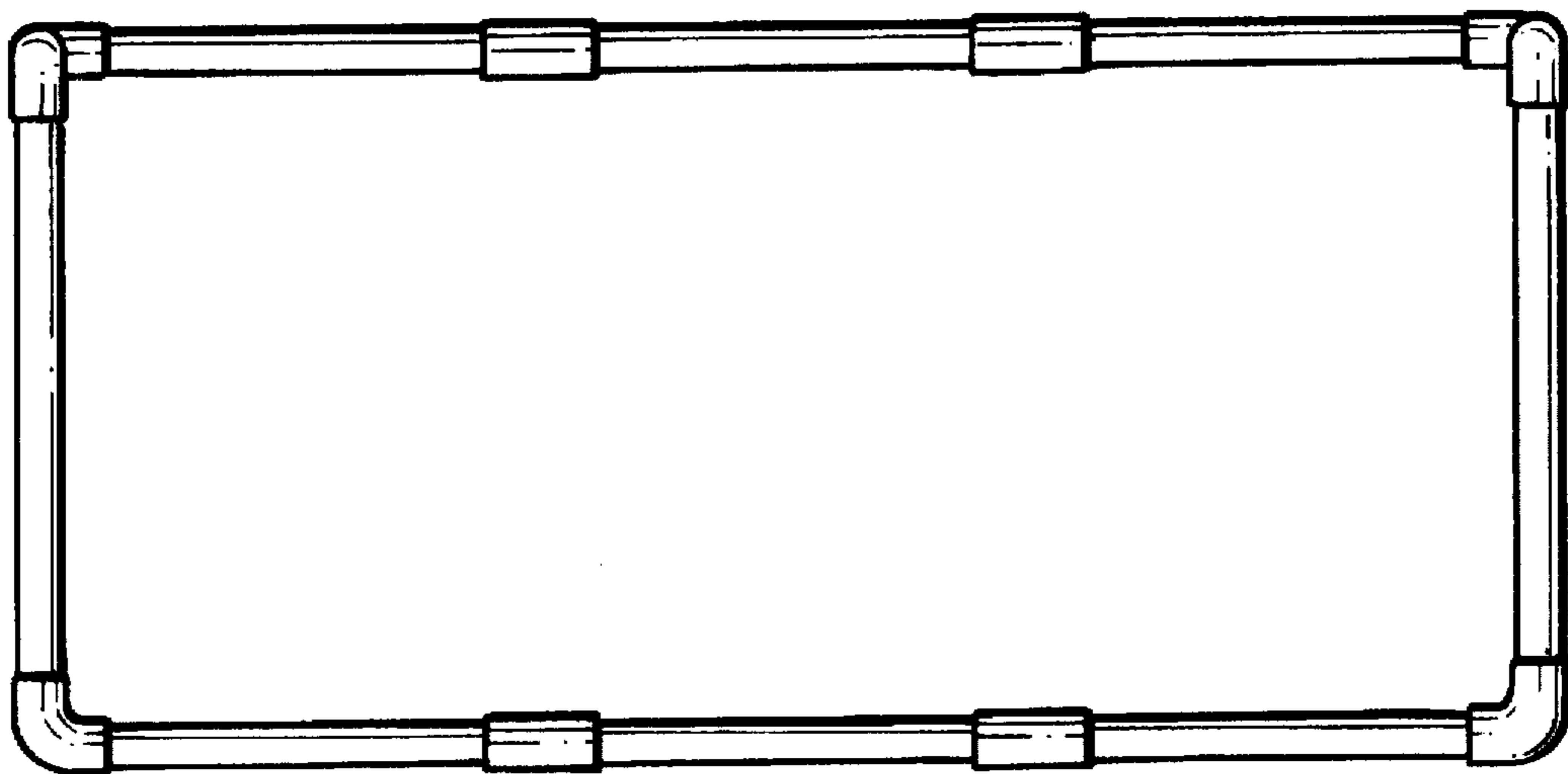


FIG. 3

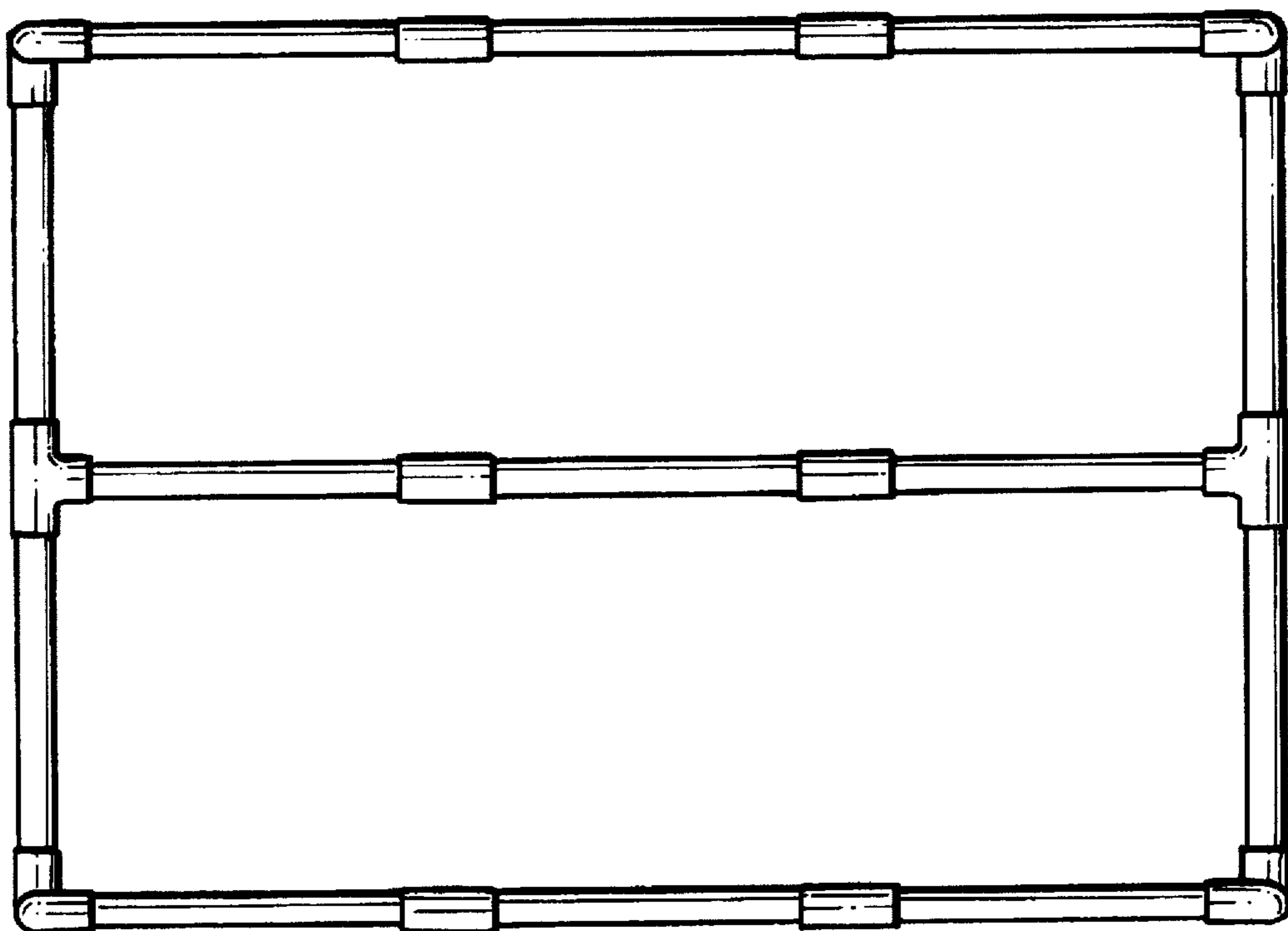


FIG. 5

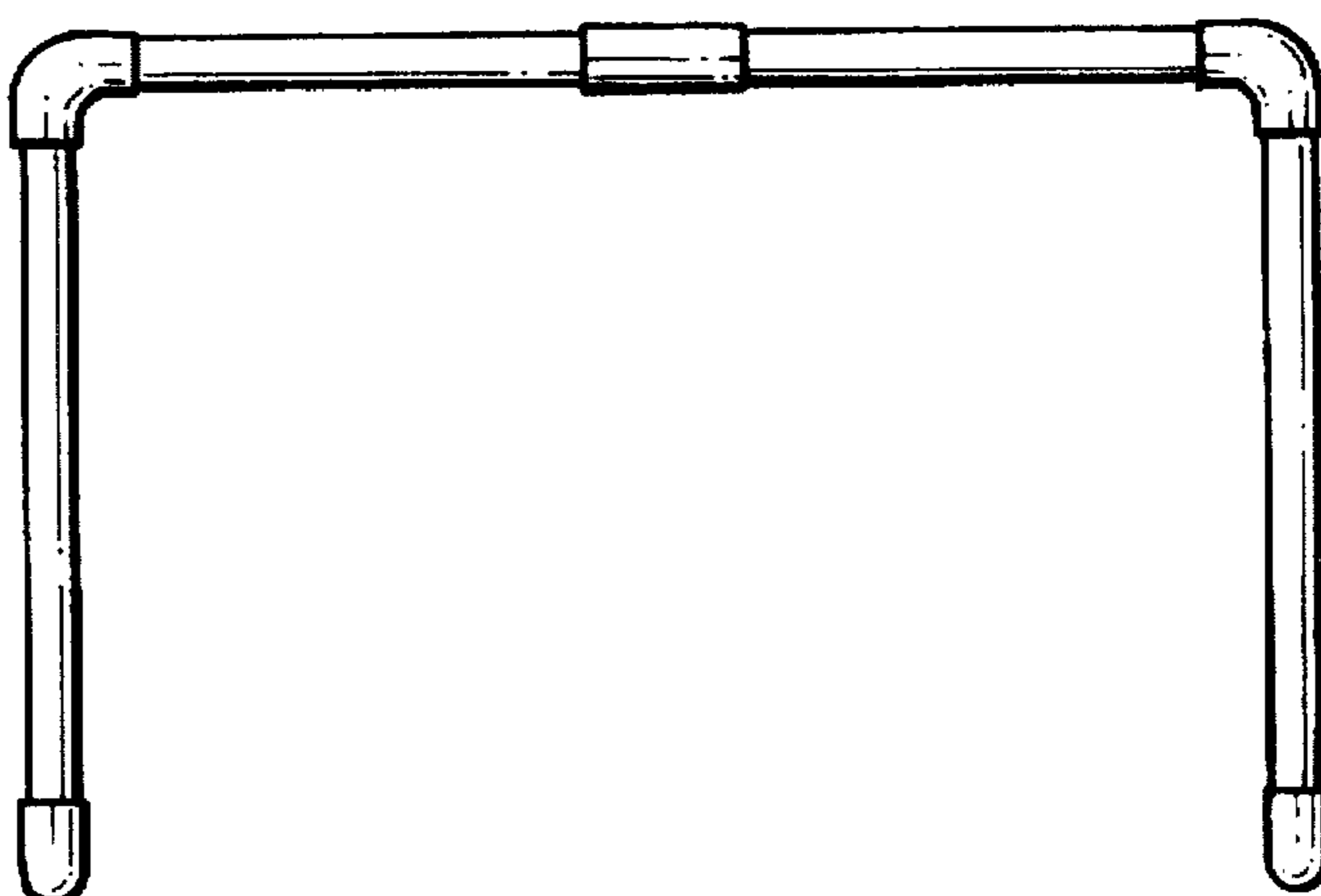


FIG. 4

