



US00D389624S

# United States Patent [19]

**Drimmie et al.**

[11] **Patent Number: Des. 389,624**

[45] **Date of Patent: \*\*Jan. 20, 1998**

[54] **LOTTERY TICKET SCRATCHER**

[76] **Inventors: Susan Drimmie; Dean Drimmie, both of 1716 Templeton Cres RR #1, Peterborough, Ontario, Canada, K9J 6X2**

[\*\*] **Term: 14 Years**

[21] **Appl. No.: 67,993**

[22] **Filed: Mar. 13, 1997**

[51] **LOC (6) Cl. .... 08-05**

[52] **U.S. Cl. .... D32/46; D3/210; D8/347**

[58] **Field of Search .... D32/35, 40, 46, D32/47, 48, 49; 15/236.01, 237, 236.02, 236.03, 236.06, 236.09, 245.1; 30/169, 171, 172; D8/347; D3/207, 208, 210, 211**

[56] **References Cited**

**U.S. PATENT DOCUMENTS**

- D. 206,397 12/1966 Ohno ..... D8/347
- D. 246,761 12/1977 Kelley et al. .... D8/347
- D. 263,243 3/1982 Creamer ..... D3/207 X
- D. 290,056 5/1987 Hatfield ..... D32/46
- D. 293,266 12/1987 Stanich ..... D3/210 X
- D. 310,743 9/1990 Riddle ..... D32/46

- D. 311,980 11/1990 Baker ..... D3/210 X
- D. 312,341 11/1990 Demirjian ..... D32/46

*Primary Examiner*—Brian N. Vinson  
*Assistant Examiner*—Cynthia E. Ramirez

[57] **CLAIM**

The ornamental design for a lottery ticket scratcher, as shown.

**DESCRIPTION**

FIG. 1 is a top plan view of the lottery ticket scratcher of the present invention;  
 FIG. 2 is a bottom plan view of the lottery ticket scratcher of FIG. 1;  
 FIG. 3 is a left side plan view of the lottery ticket scratcher of FIG. 1;  
 FIG. 4 is a right side plan view of the lottery ticket scratcher of FIG. 1;  
 FIG. 5 is a front plan view of the lottery ticket scratcher of FIG. 1;  
 FIG. 6 is a back plan view of the lottery ticket scratcher of FIG. 1; and,  
 FIG. 7 is a top left side perspective view of the lottery ticket scratcher of FIG. 1.

**1 Claim, 3 Drawing Sheets**

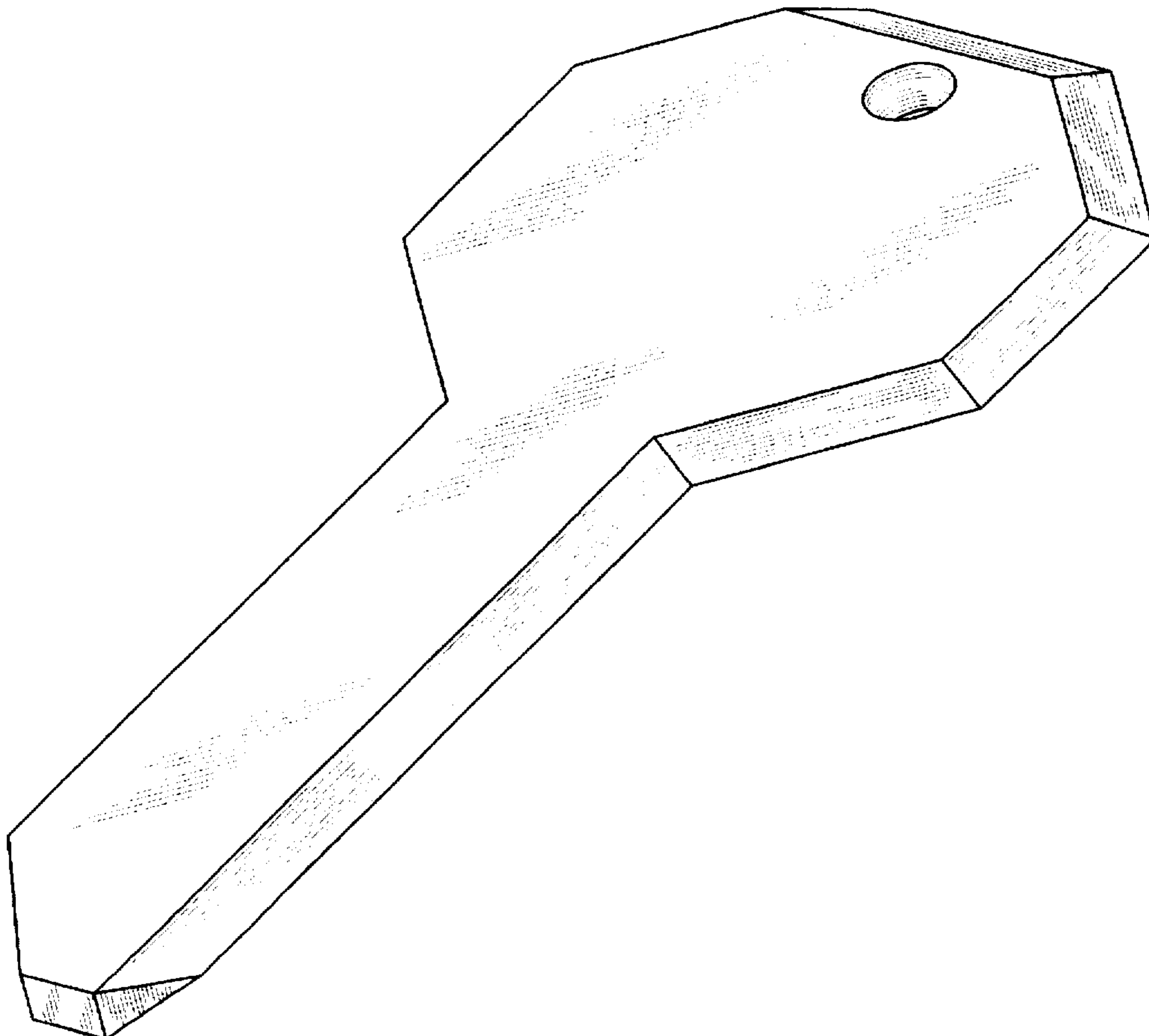


FIG. 1

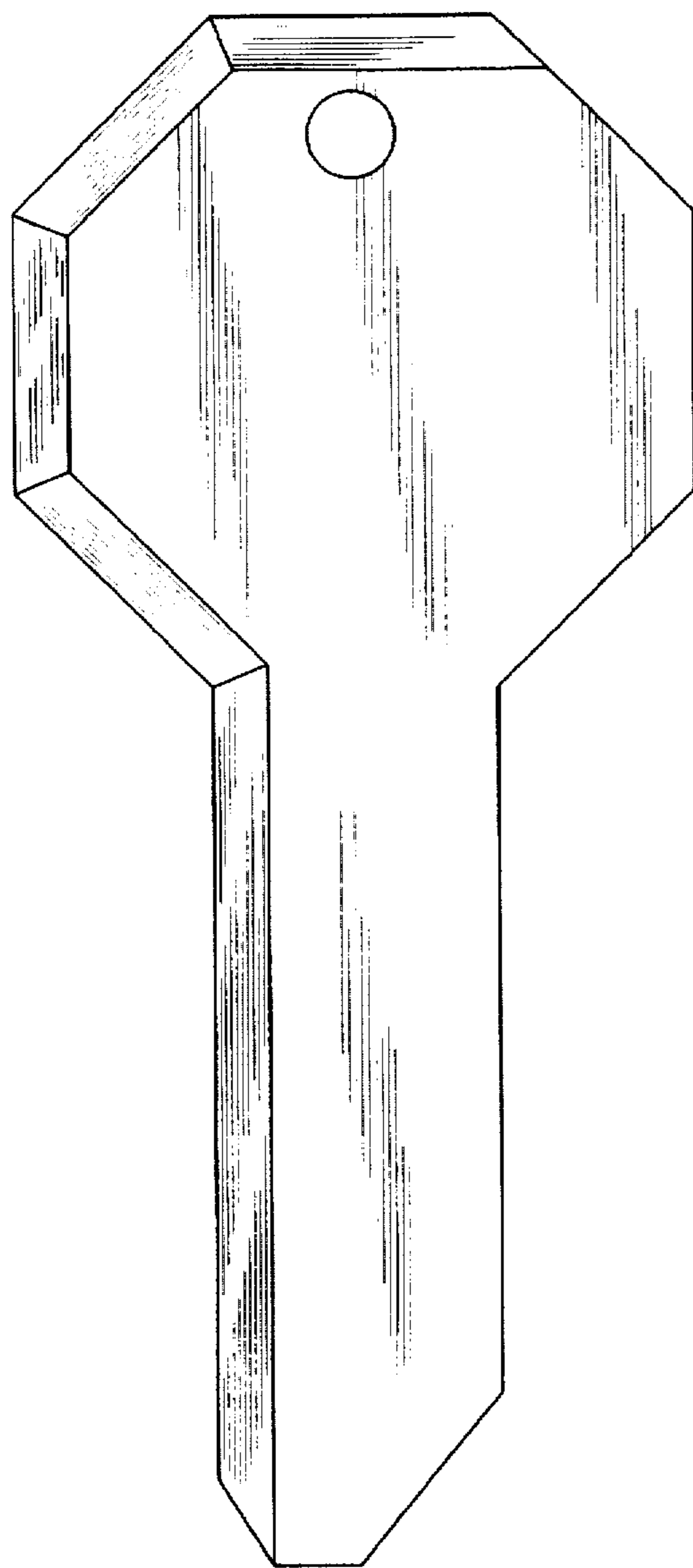


FIG. 2

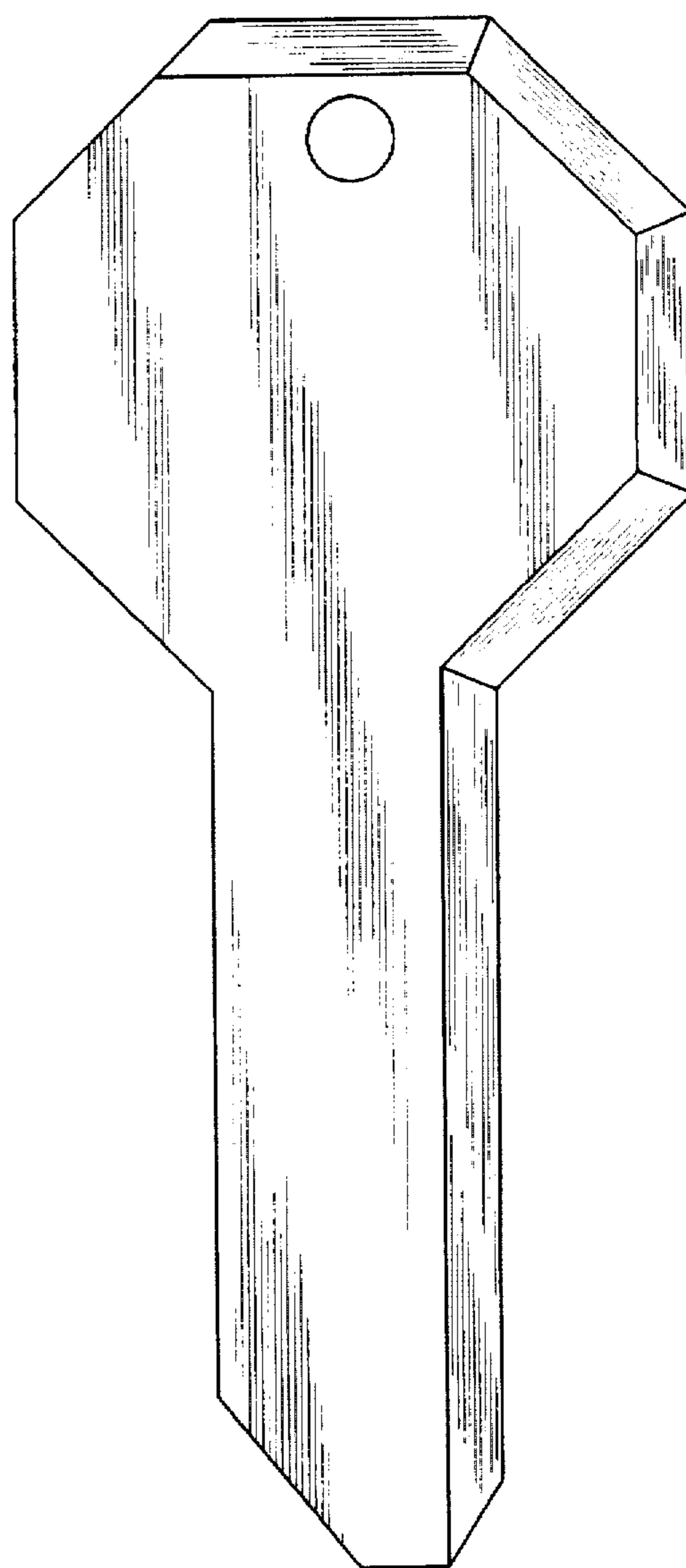


FIG. 3



FIG. 4

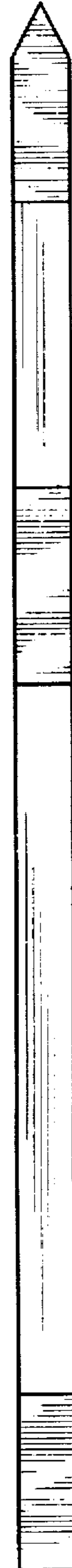


FIG. 5

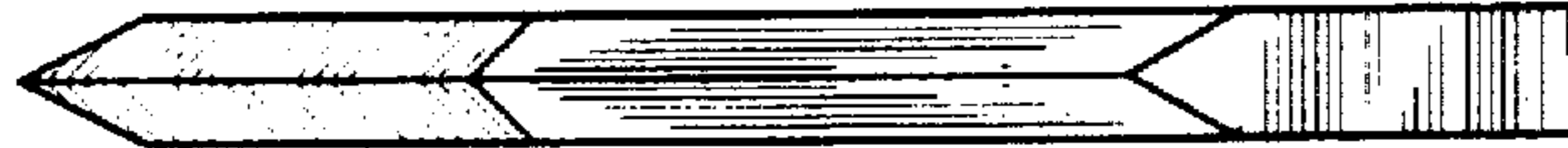


FIG. 6



*FIG. 7*

