



US00D389619S

**United States Patent** [19]  
**McLeod**

[11] **Patent Number:** **Des. 389,619**  
[45] **Date of Patent:** **\*\*Jan. 20, 1998**

[54] **CLOTHING FUZZ REMOVER**  
[76] **Inventor:** **Terry McLeod, 149 Wolfe Cove Rd.,  
Asheville, N.C. 28804**  
[\*\*] **Term:** **14 Years**  
[21] **Appl. No.:** **55,763**  
[22] **Filed:** **Jun. 12, 1996**  
[51] **LOC (6) Cl.** ..... **08-99**  
[52] **U.S. Cl.** ..... **D32/35; D32/46**  
[58] **Field of Search** ..... **D32/35, 41, 42,  
D32/46; D4/137; 15/104.001, 104.002,  
111, 236.06, 245, 245.1, 236.01**

2,934,810 5/1960 Kanbar .  
3,328,878 7/1967 Engineer .  
3,330,077 7/1967 Kanbar et al. .  
3,471,977 10/1969 Roth .  
5,077,856 1/1992 Freundl .

*Primary Examiner*—Susan J. Lucas  
*Assistant Examiner*—Cynthia E. Ramirez  
*Attorney, Agent, or Firm*—Carter & Schnedler

[57] **CLAIM**

The ornamental design for a clothing fuzz remover, as shown.

**DESCRIPTION**

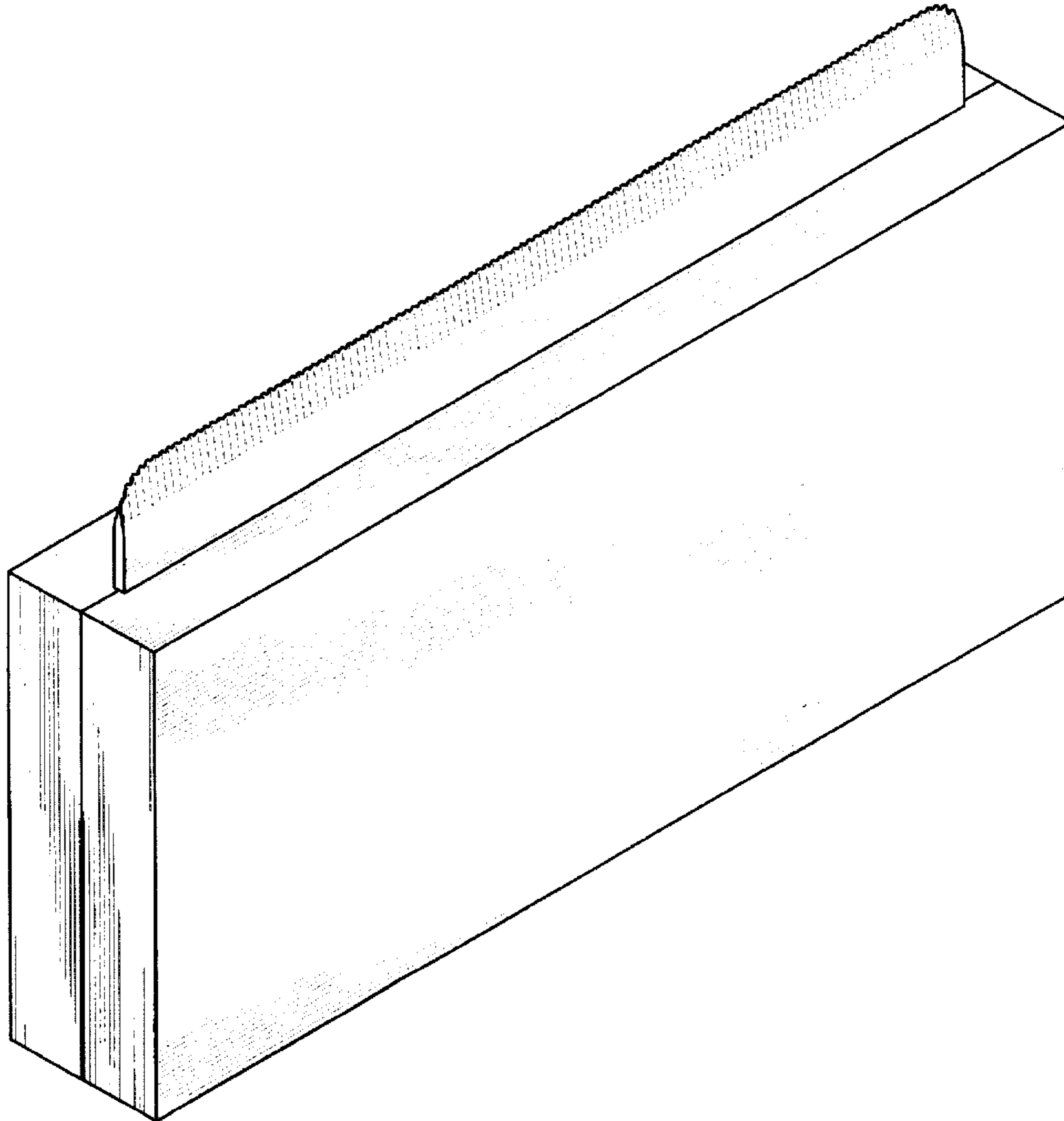
FIG. 1 is a front perspective view of a clothing fuzz remover showing my new design;  
FIG. 2 is a front elevational view thereof;  
FIG. 3 is a top view thereof;  
FIG. 4 is a left side view thereof;  
FIG. 5 is a right side view thereof;  
FIG. 6 is a bottom view thereof; and,  
FIG. 7 is a rear elevational view thereof.

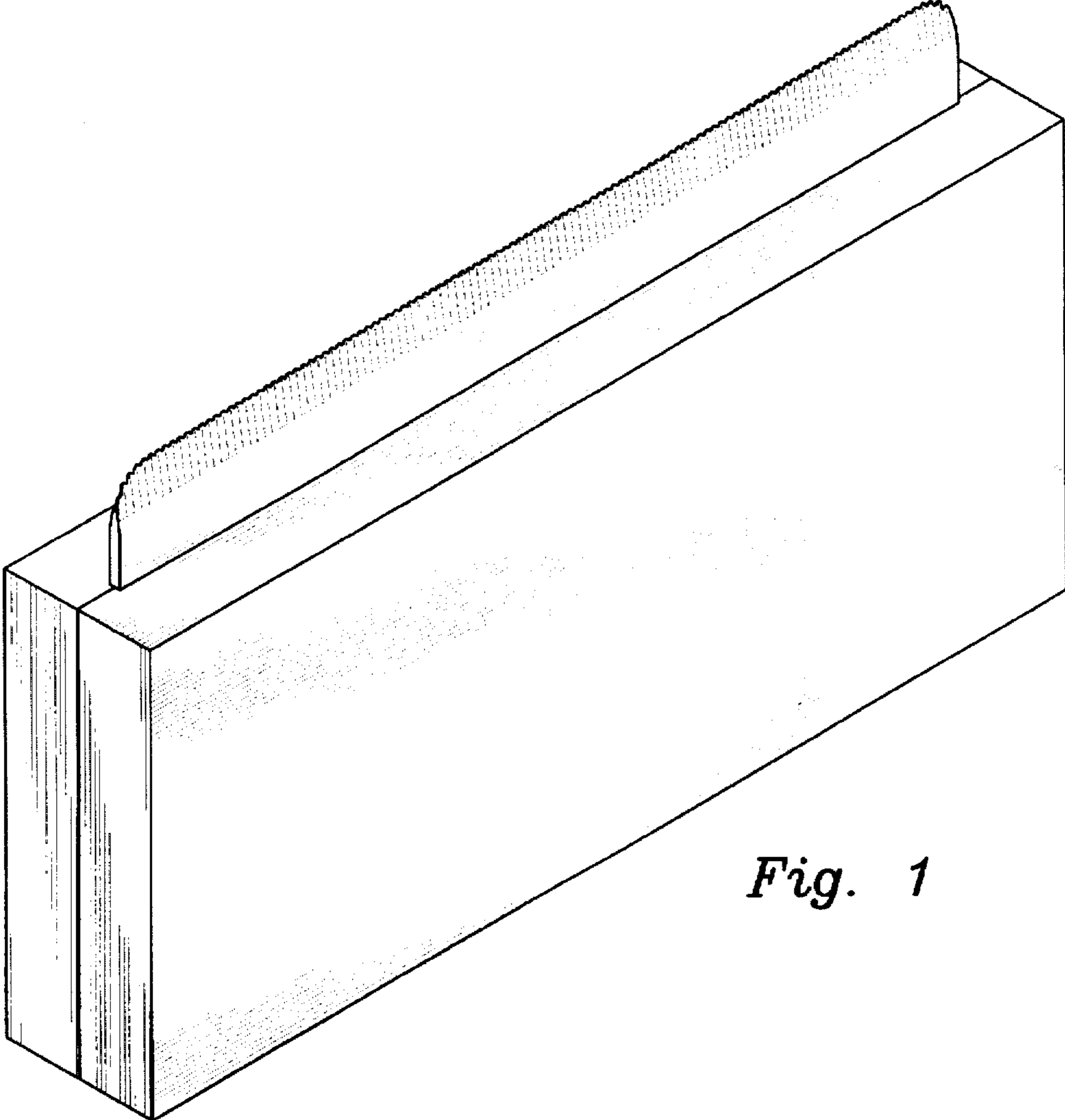
[56] **References Cited**

**U.S. PATENT DOCUMENTS**

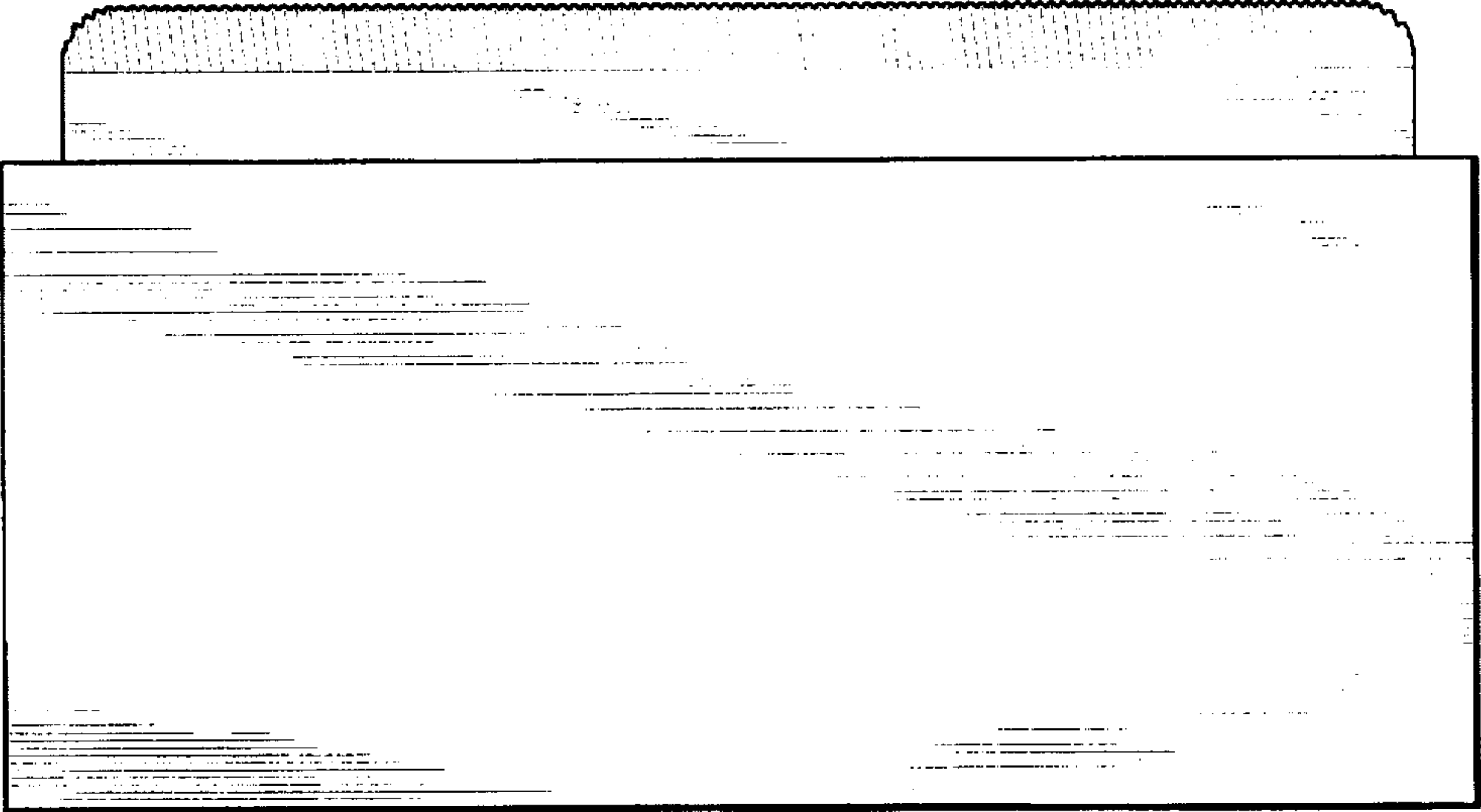
D. 220,074	3/1971	Morris	.....	D4/137
D. 287,194	12/1986	Suzuki	.....	D4/120
701,278	6/1902	Adcock	.	
1,822,725	9/1931	Cooper et al.	.	
2,550,393	4/1951	Wurfschmit	.	
2,590,966	4/1952	Heller	.	
2,715,745	8/1955	Jacobsen	.	

**1 Claim, 2 Drawing Sheets**

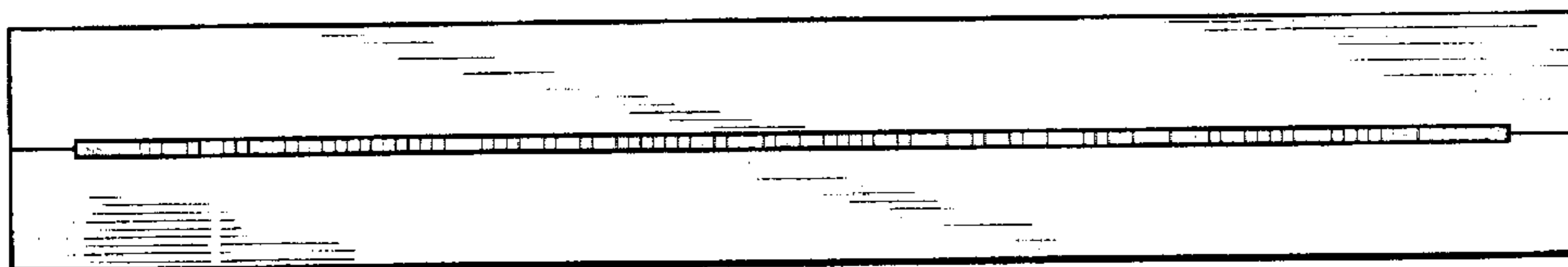




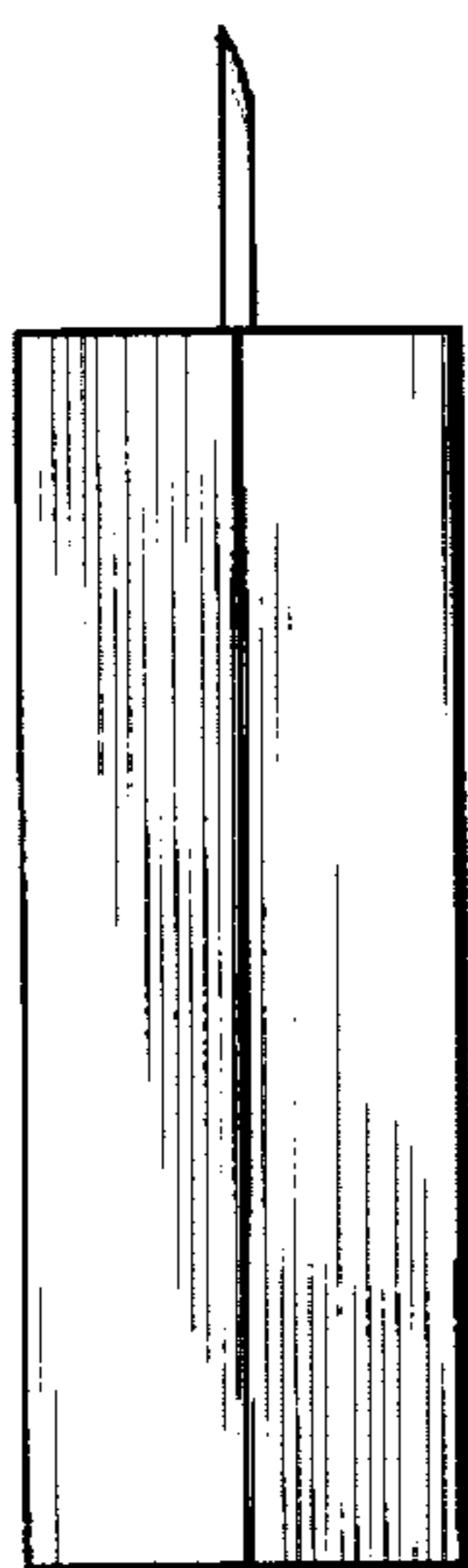
*Fig. 1*



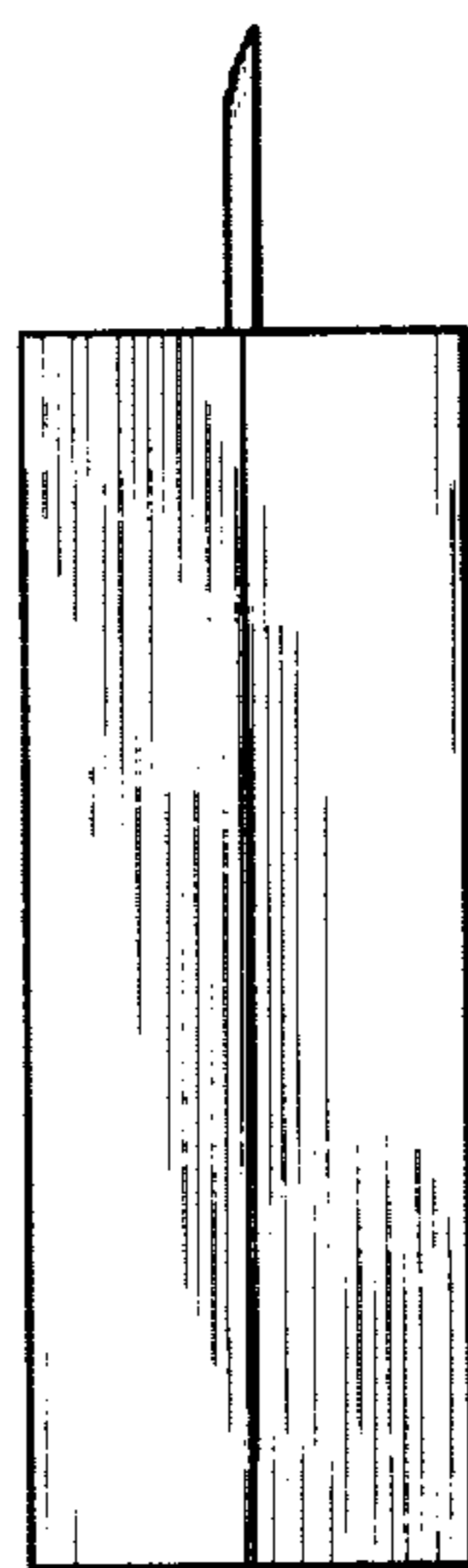
*Fig. 2*



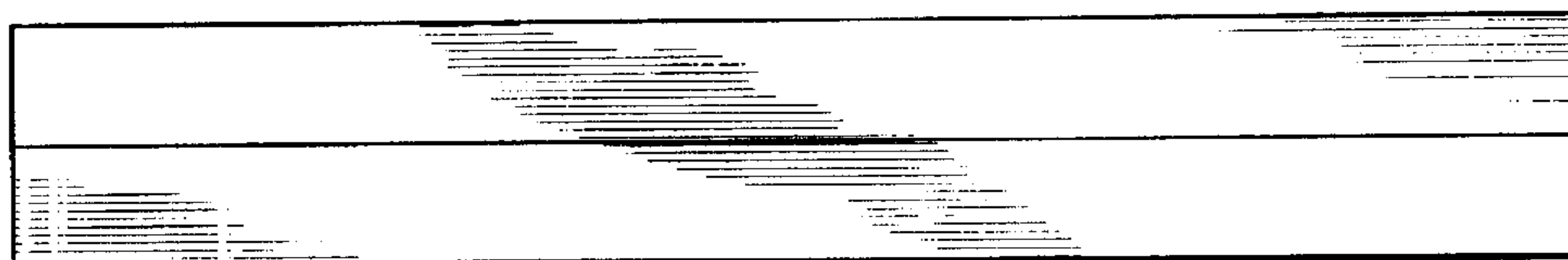
*Fig. 3*



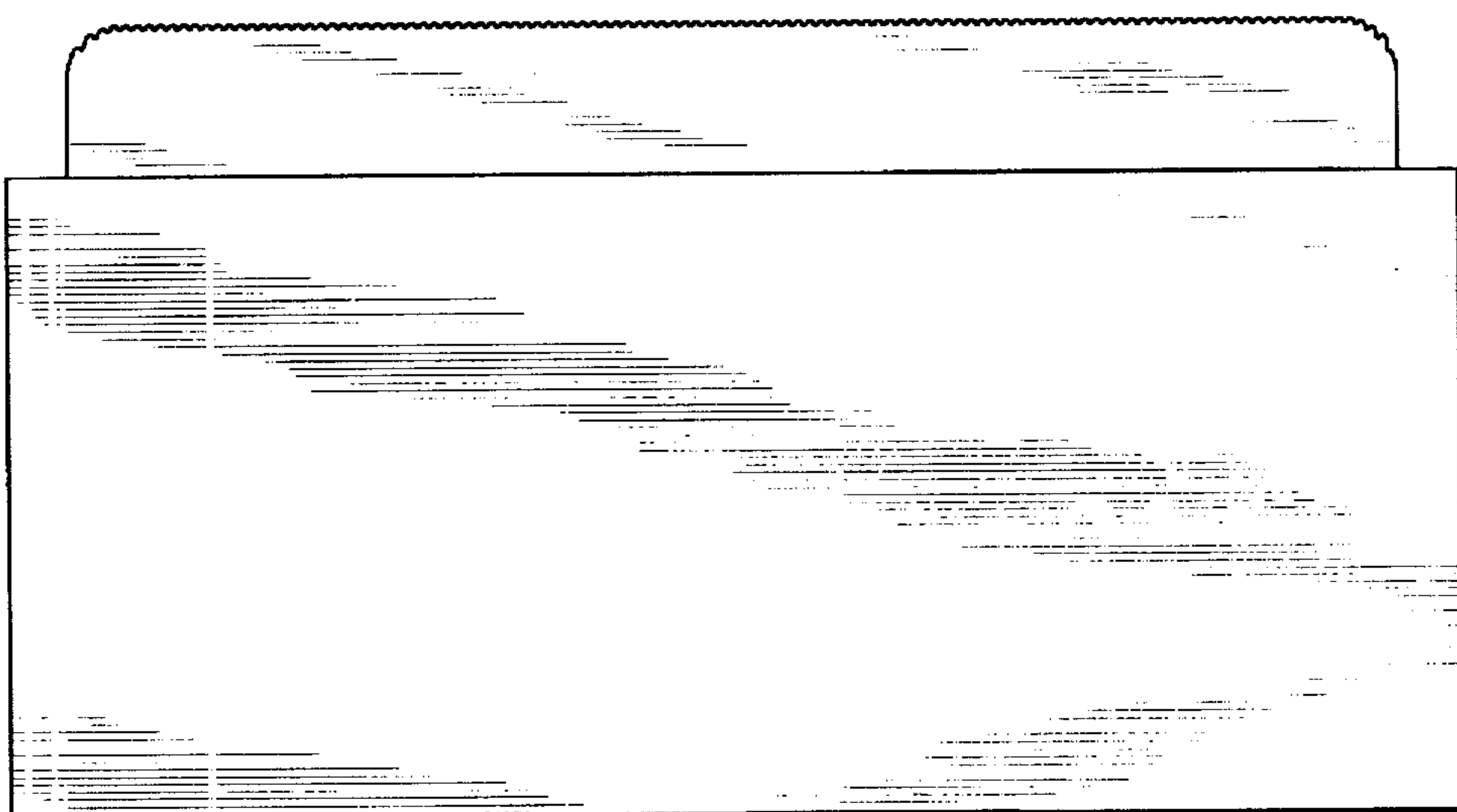
*Fig. 4*



*Fig. 5*



*Fig. 6*



*Fig. 7*