



US00D389618S

# United States Patent [19]

Rosen

[11] Patent Number: **Des. 389,618**

[45] Date of Patent: **\*\*Jan. 20, 1998**

[54] **PET VACUUM BRUSH**

[76] Inventor: **Catherine B. Rosen**, 1 Canyon Rd.,  
Denville, N.J. 07834

[\*\*] Term: **14 Years**

[21] Appl. No.: **61,042**

[22] Filed: **Oct. 15, 1996**

[51] LOC (6) Cl. .... **15-05**

[52] U.S. Cl. .... **D32/33; D30/158**

[58] Field of Search ..... **D32/31-33; 15/415.1,**  
**15/416, 418-422.1; 119/612, 618, 672;**  
**43/139; D4/130-135; D30/158**

[56] **References Cited**

**U.S. PATENT DOCUMENTS**

D. 240,435	7/1976	Remijas	.....	D30/158
D. 272,568	2/1984	Kuhl	.....	D32/18
D. 307,067	4/1990	Kuhl et al.	.....	D32/18
D. 326,744	6/1992	LeClair	.....	D32/18
D. 331,840	12/1992	Garner	.....	D30/148
D. 350,852	9/1994	Ferrazzutti	.....	D32/33
D. 352,397	11/1994	Coleman	.....	D30/158
D. 356,442	3/1995	Hayes et al.	.....	D30/158
D. 358,489	5/1995	Balster et al.	.....	D4/134

D. 359,148	6/1995	Henrie	.....	D32/33
D. 368,342	3/1996	Founds	.....	D32/18
D. 375,588	11/1996	Bzoch	.....	D30/158
5,211,131	5/1993	Plyler	.....	15/344

**OTHER PUBLICATIONS**

Mature Wisdom Catalog, p. 41, "Item N, vacuums pet hair",  
Jul. 1990.

*Primary Examiner*—Ruth McInroy  
*Attorney, Agent, or Firm*—Thomas L. Adams

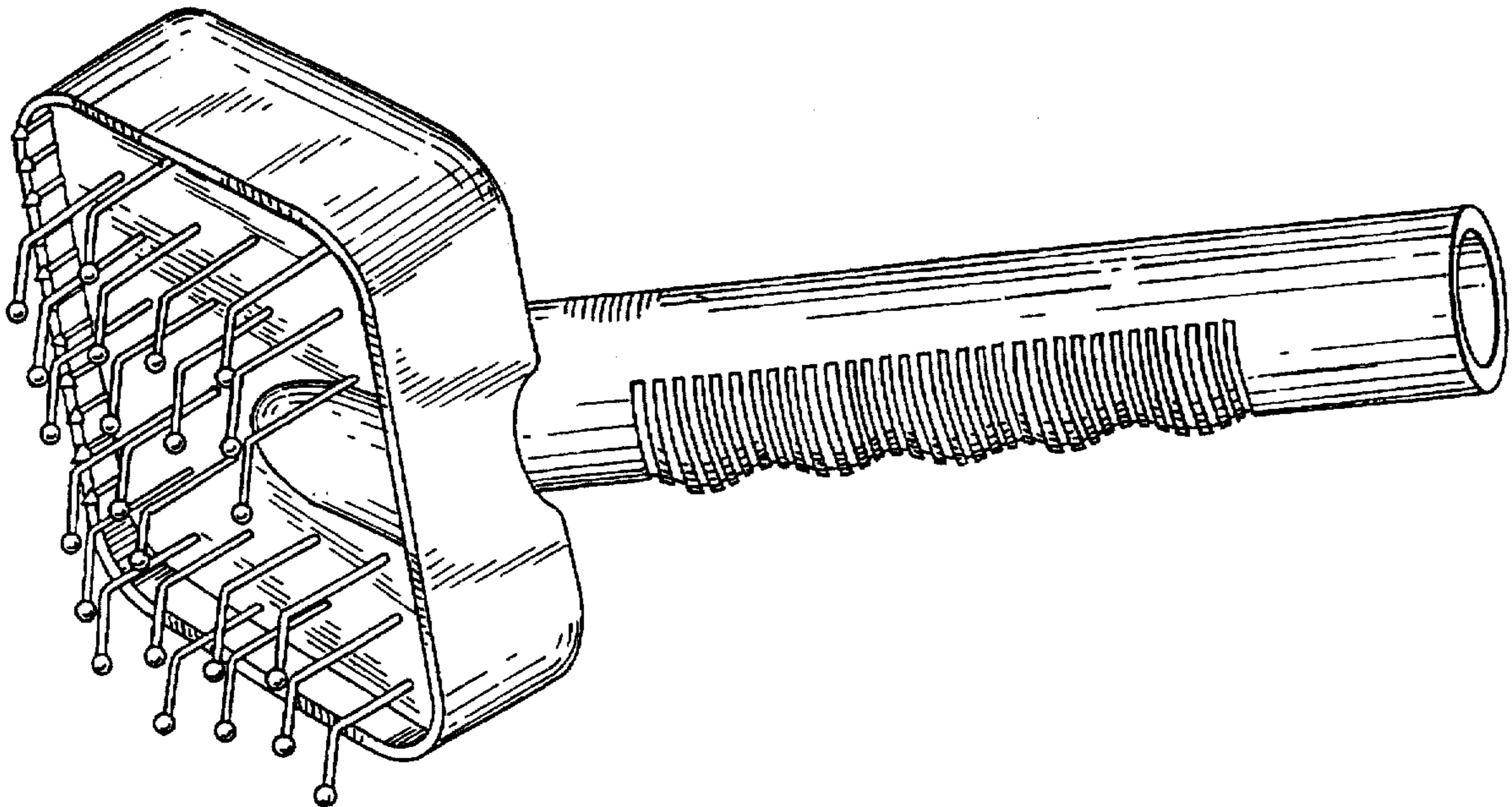
[57] **CLAIM**

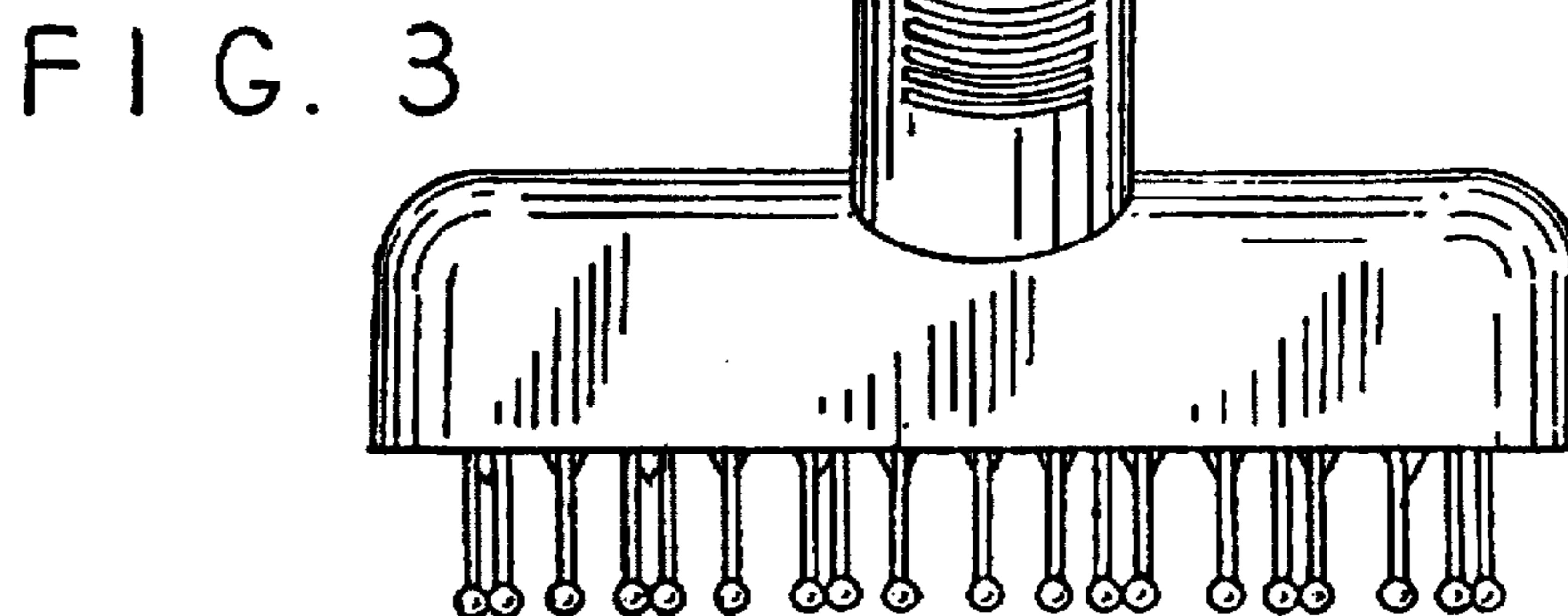
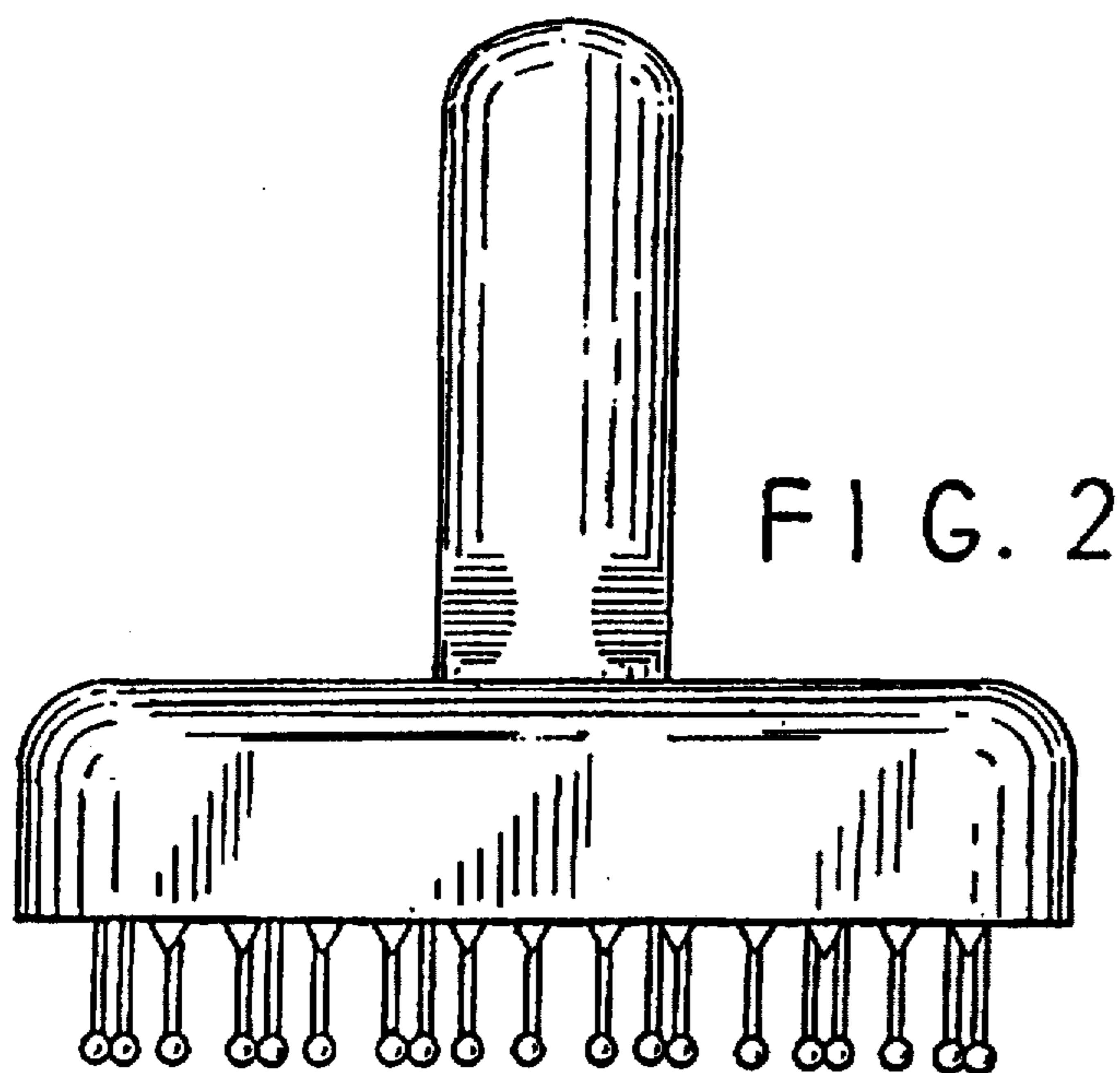
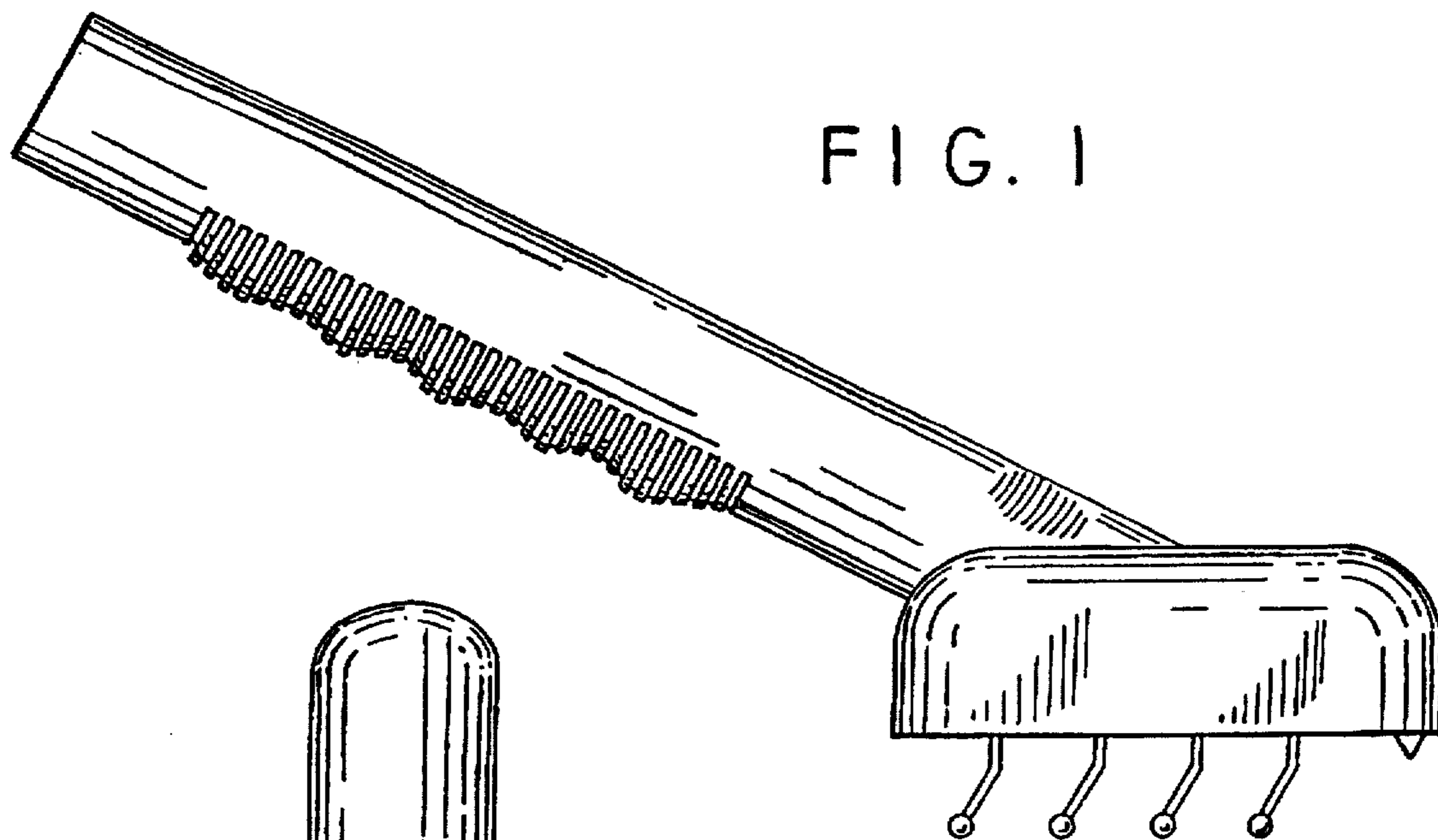
The ornamental design for a pet vacuum brush, as shown  
and described.

**DESCRIPTION**

FIG. 1 is a right side elevational view of a pet vacuum brush  
showing my new design, the left side elevational view being  
a mirror image thereof;  
FIG. 2 is a front elevational view thereof;  
FIG. 3 is a rear elevational view thereof;  
FIG. 4 is a top plan view thereof;  
FIG. 5 is a bottom plan view thereof; and,  
FIG. 6 is a bottom axonometric view thereof.

**1 Claim, 3 Drawing Sheets**





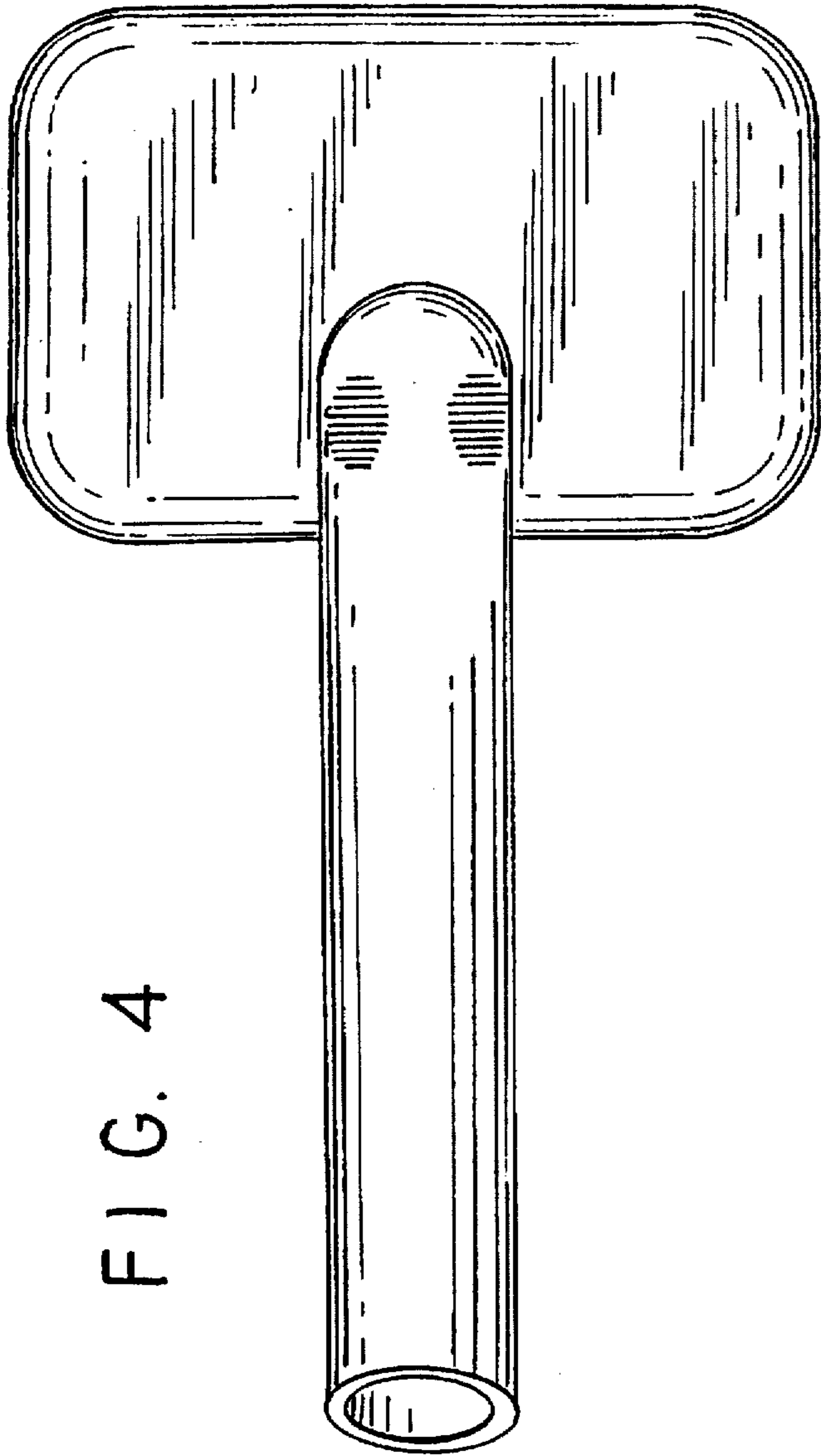


FIG. 4

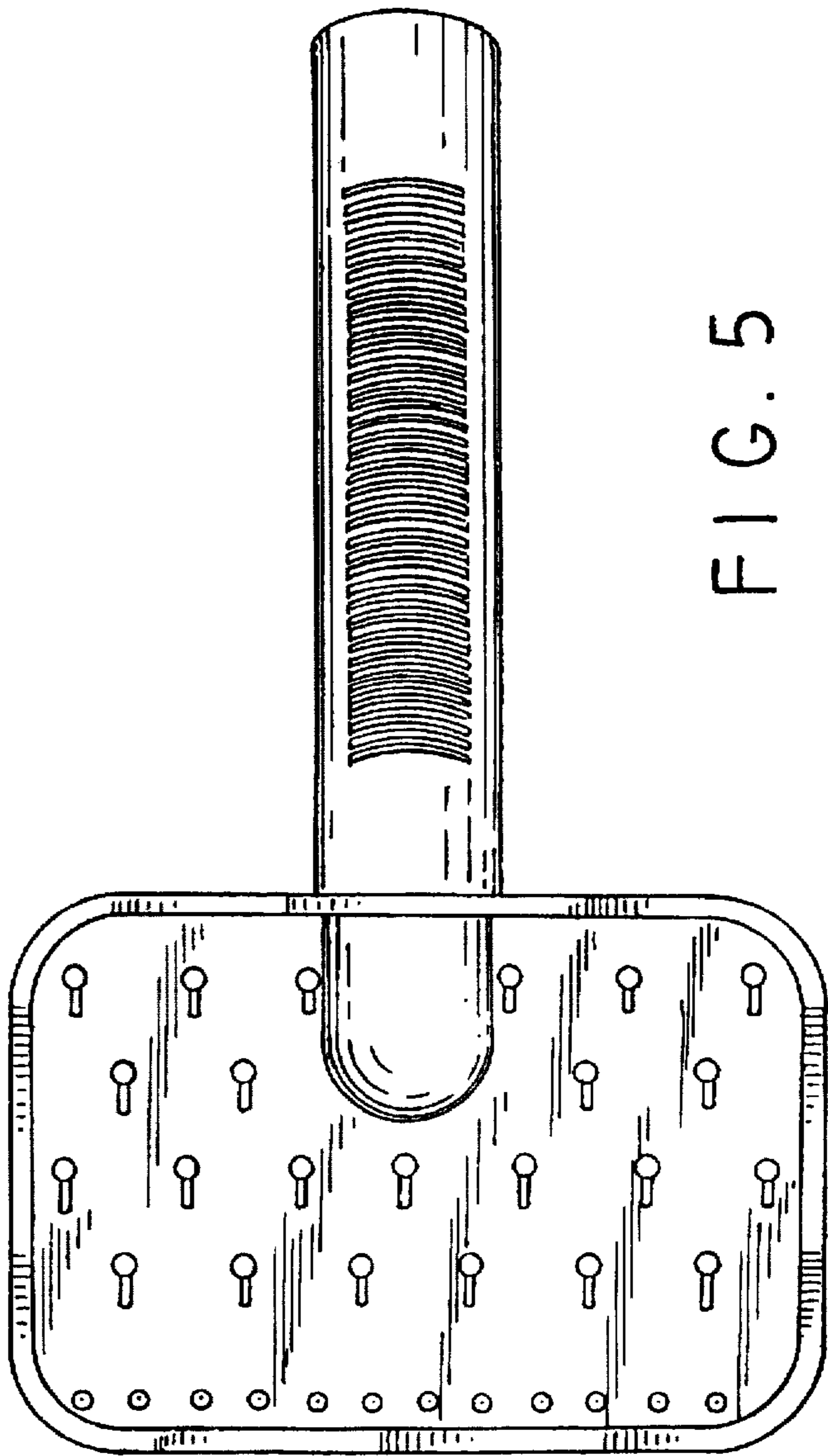


FIG. 5



FIG. 6

