

US00D389616S

# United States Patent [19]

Van Amelsfort

[11] Patent Number: **Des. 389,616**

[45] Date of Patent: **\*\*Jan. 20, 1998**

[54] **ANIMAL EARTAG COMPONENT**

[75] Inventor: **Petrus Augustinus Van Amelsfort,**  
Palmerston North, New Zealand

[73] Assignee: **Allflex New Zeland Limited,** New Zealand

[\*\*] Term: **14 Years**

[21] Appl. No.: **36,000**

[22] Filed: **Mar. 10, 1995**

[30] **Foreign Application Priority Data**

Sep. 12, 1994 [NZ] New Zealand ..... 26176

[51] LOC (6) Cl. .... **30-08**

[52] U.S. Cl. .... **D30/155**

[58] Field of Search ..... D30/153, 155,  
D30/199; D20/22, 28, 27; 119/655; 40/300-302

[56] **References Cited**

**U.S. PATENT DOCUMENTS**

- D. 274,151 6/1984 Child ..... D30/153
- D. 311,078 10/1990 Holladay et al. .... D30/155

- 412,431 10/1889 Talbot ..... 40/301
- 5,461,805 10/1995 Johnson ..... 40/300

**FOREIGN PATENT DOCUMENTS**

- 31227 7/1981 European Pat. Off. .... 40/301
- 1241185 5/1967 Germany ..... 40/301
- 65208 2/1941 Norway ..... 40/301
- 173797 1/1922 United Kingdom ..... 40/302
- 8201639 5/1982 WIPO ..... 40/300

*Primary Examiner*—Cathy Anne MacCormac  
*Attorney, Agent, or Firm*—Blakely Sokoloff Taylor & Zafman

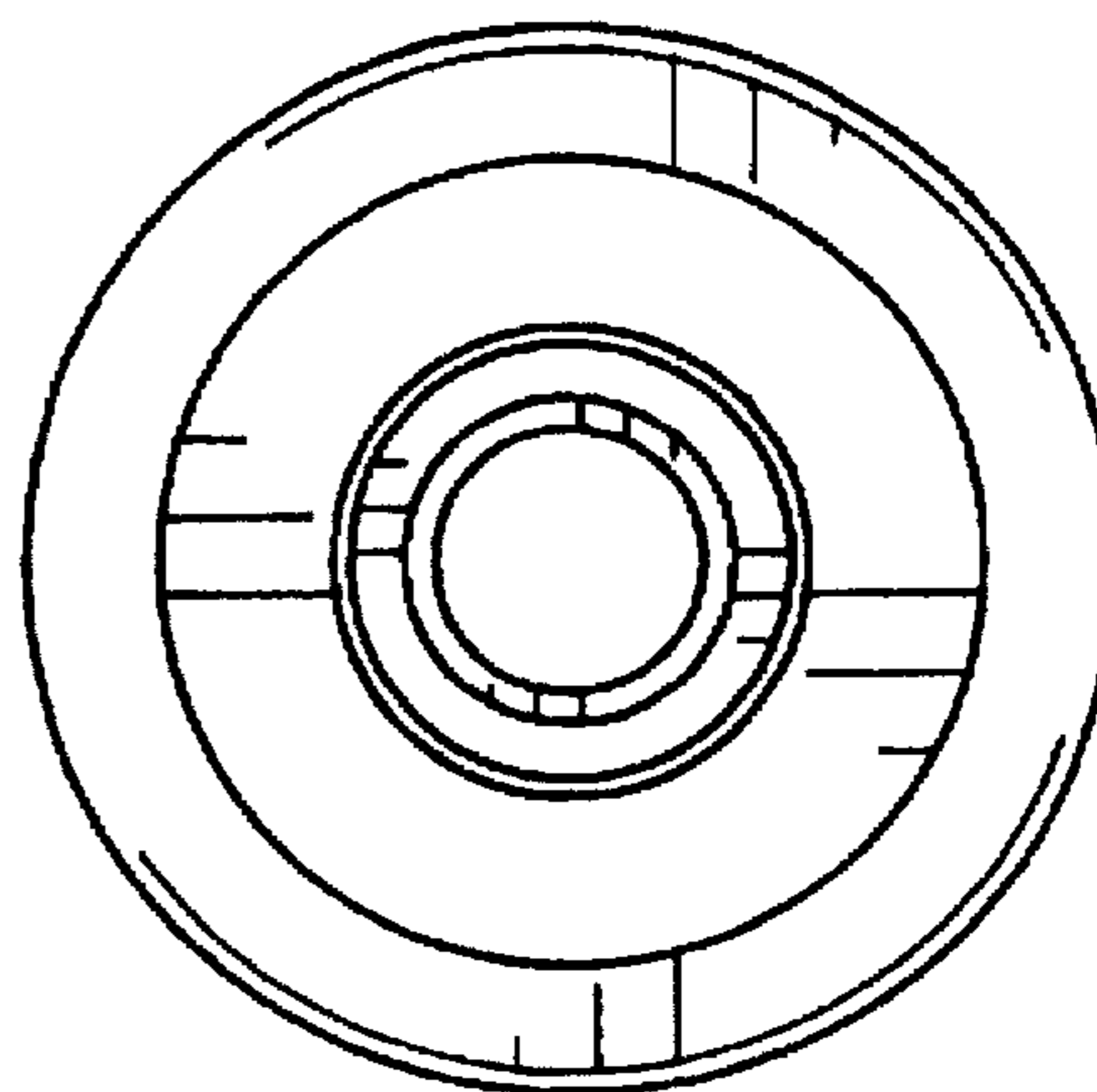
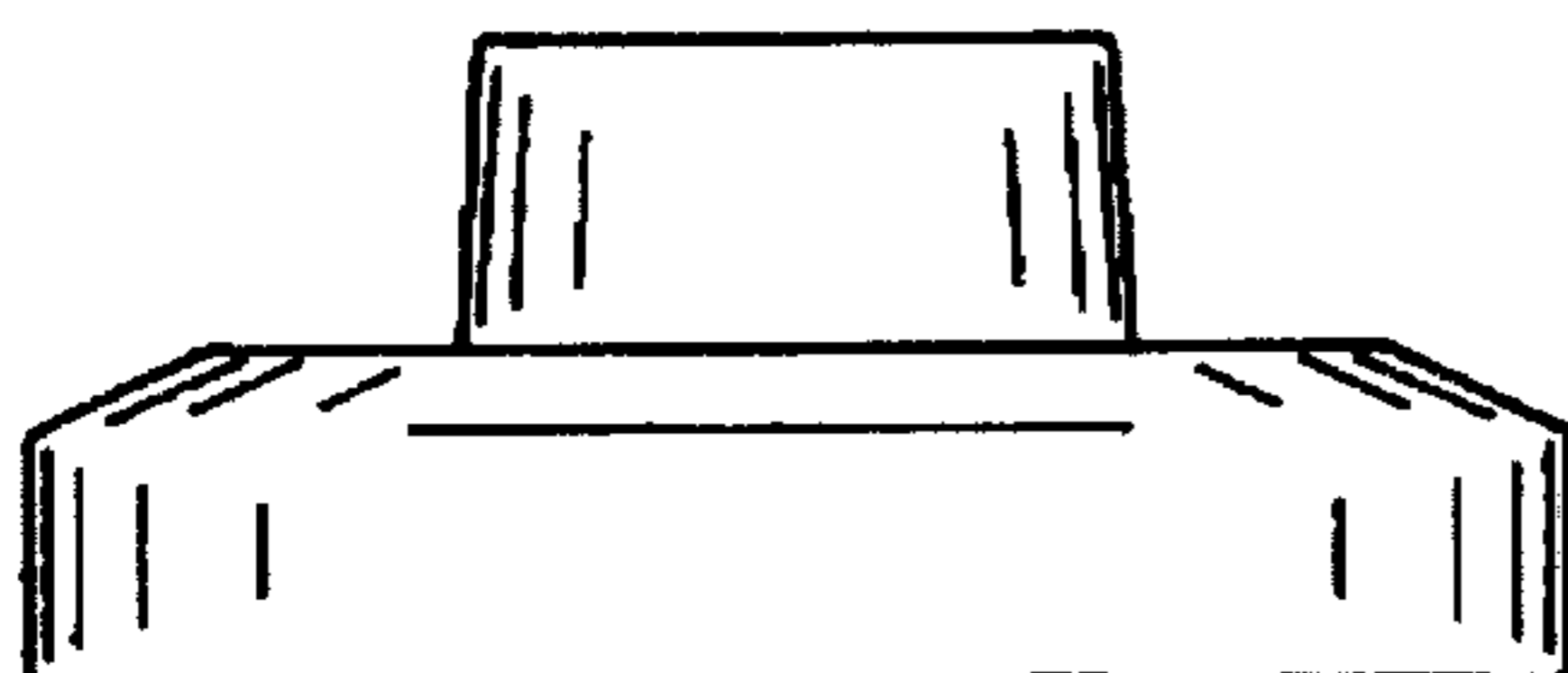
[57] **CLAIM**

The ornamental design for an animal eartag component, as shown and described.

**DESCRIPTION**

FIG. 1 is an underside plan view showing my new design of an animal eartag component;  
FIG. 2 is an elevation view of the animal eartag component of FIG. 1; and,  
FIG. 3 is a top plan view of the animal eartag component of FIG. 1.

**1 Claim, 1 Drawing Sheet**



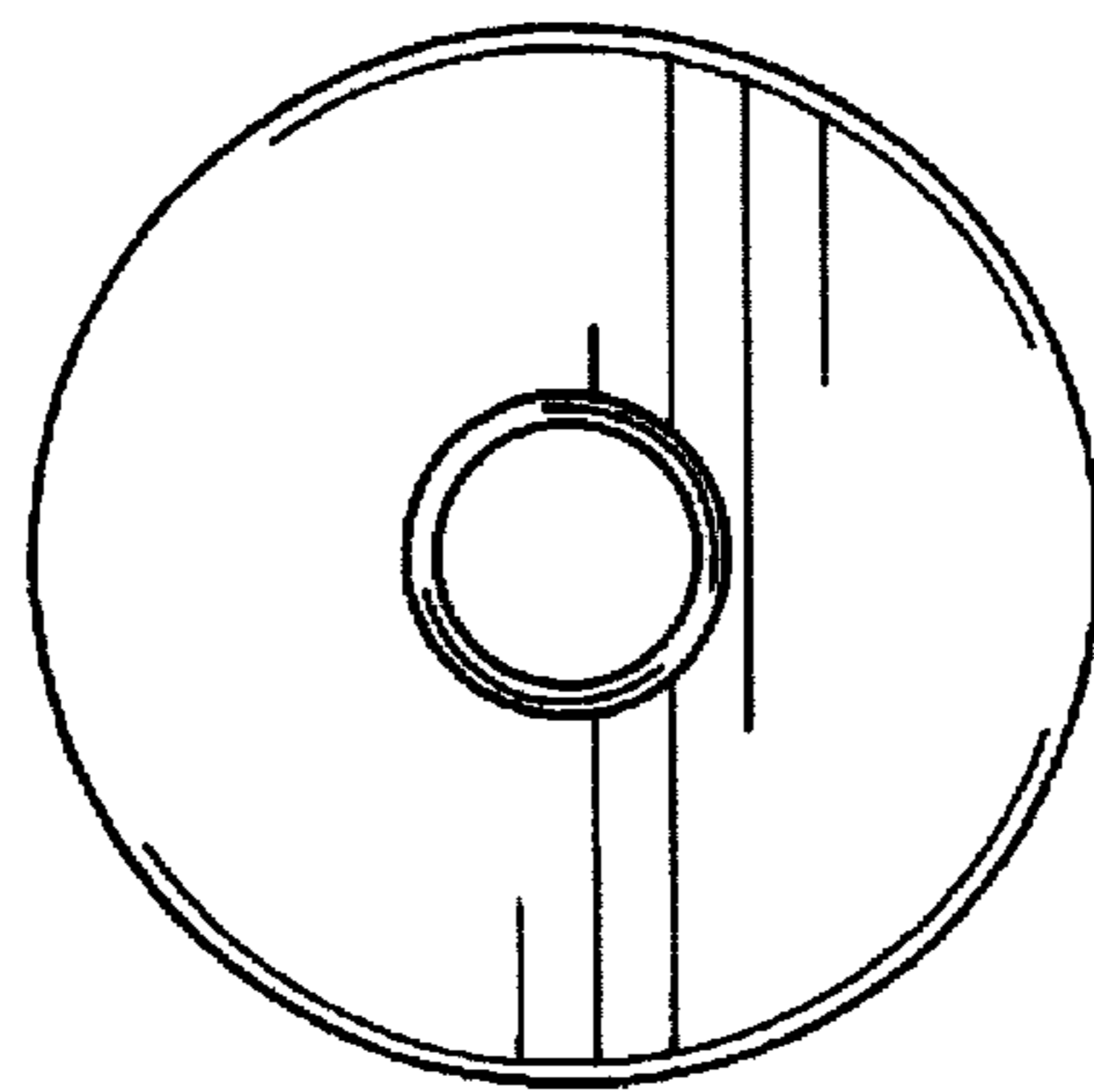


FIG. 1

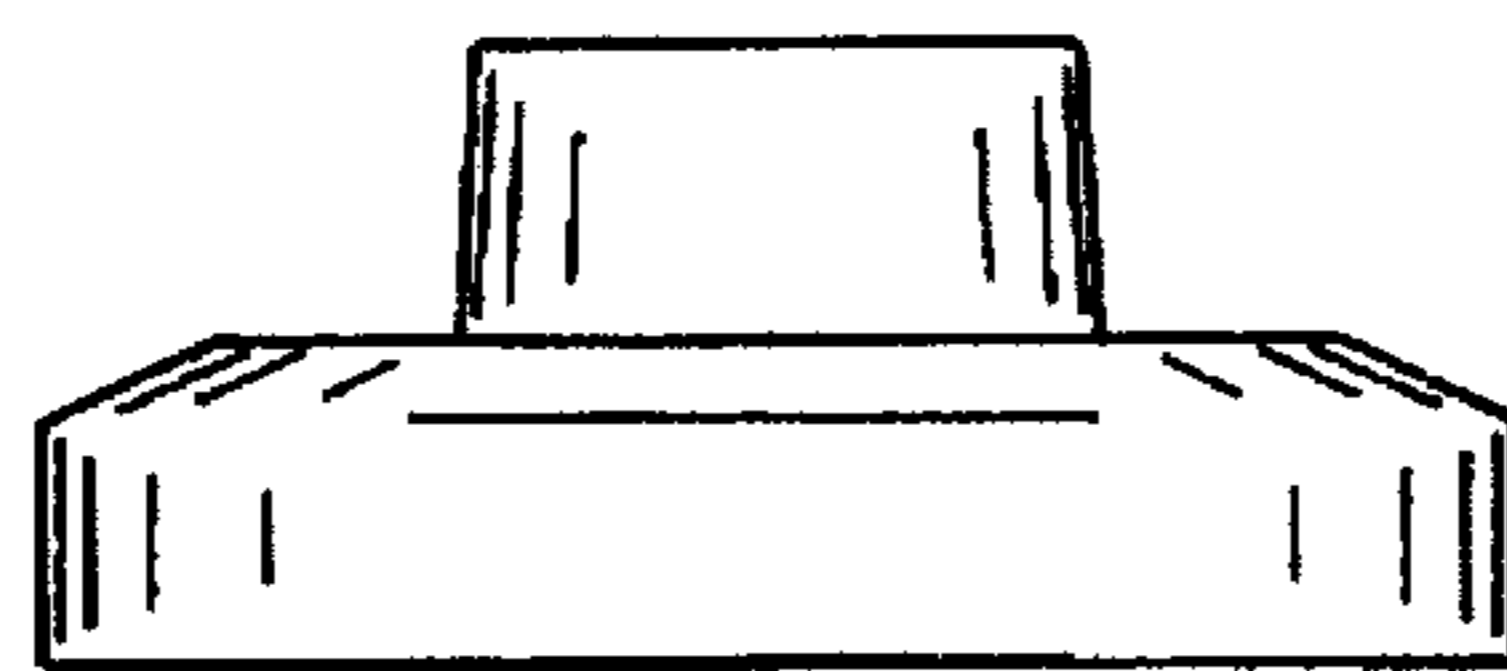


FIG. 2

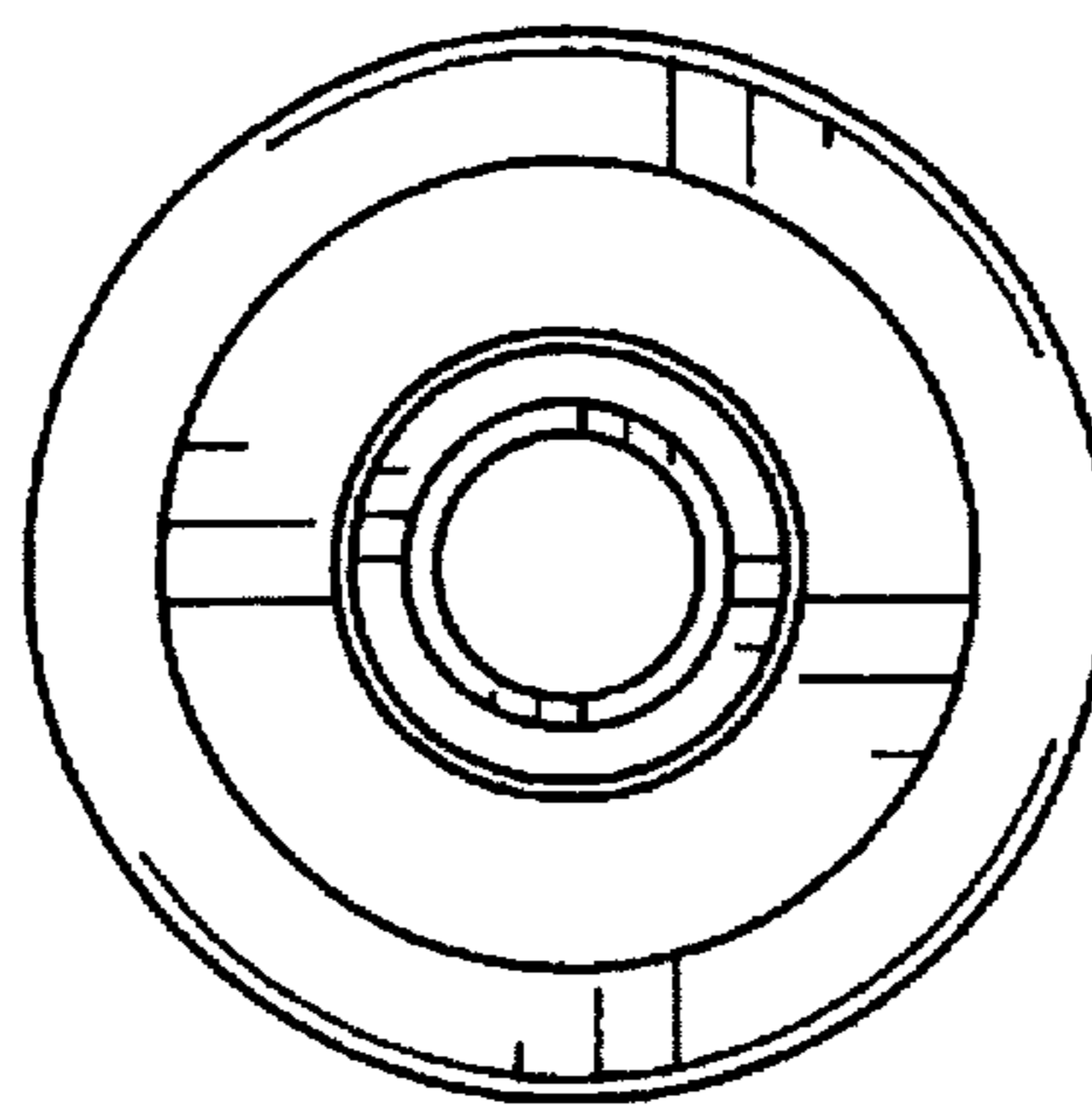


FIG. 3