



US00D389613S

United States Patent [19]

Jacobsen

[11] Patent Number: Des. 389,613

[45] Date of Patent: **Jan. 20, 1998

[54] ANIMAL LEASH

[76] Inventor: Chris J. Jacobsen, 2199 Swan Hwy., Bigfork, Mont. 59911

[**] Term: 14 Years

[21] Appl. No.: 49,267

[22] Filed: Jan. 22, 1996

[51] LOC (6) Cl. 30-09

[52] U.S. Cl. D30/153

[58] Field of Search D30/151, 153, D30/144, 145, 199; 119/792, 793, 797, 799, 895

- 2,314,504 3/1943 Lifschultz .
- 2,332,897 6/1943 Van Den Bogaerde, Jr. .
- 2,333,488 11/1943 Parth .
- 2,337,970 12/1943 Cassell .
- 2,526,140 10/1950 Keyston .
- 2,561,487 7/1951 Baible .
- 2,593,940 4/1952 Van Meter .
- 2,650,590 9/1953 Moore et al. .
- 2,684,682 7/1954 Hudes et al. .
- 2,712,932 7/1955 Gould .
- 2,737,154 3/1956 Michonski .
- 2,784,698 3/1957 Dieppa .
- 2,827,017 3/1958 Ryan .
- 2,861,547 11/1958 Dale .
- 2,866,436 12/1958 Swain et al. .

(List continued on next page.)

[56] References Cited

U.S. PATENT DOCUMENTS

- 54,729 5/1866 Howe .
- 81,947 9/1868 Vizard .
- D. 173,316 8/1954 Roccia .
- 197,615 11/1877 Dawson .
- 198,275 12/1877 Chase .
- 236,091 12/1880 Rodger .
- D. 240,142 6/1976 Francis .
- D. 267,833 2/1983 Anderson .
- D. 281,631 12/1985 Konar .
- D. 293,043 12/1987 Zamboni .
- D. 298,478 11/1988 Ticknor .
- D. 334,605 4/1993 Forgione D30/153
- D. 337,182 7/1993 Small et al. D30/153
- D. 339,430 9/1993 Reed et al. D30/153
- D. 339,885 9/1993 Rebek D30/153
- D. 341,682 11/1993 Musetti D30/153
- D. 351,264 10/1994 Stout D30/153
- D. 362,519 9/1995 Jacobsen et al. D30/153
- 478,067 7/1892 Asten .
- 548,062 10/1895 Joyner .
- 589,888 9/1897 Alexander .
- 867,814 10/1907 Fornander .
- 1,161,870 11/1915 Kunze .
- 1,194,417 8/1916 Pelham .
- 1,467,452 9/1923 Rasmussen 119/799
- 1,509,781 9/1924 Roth .
- 1,556,362 10/1925 Silbert .
- 1,924,596 8/1933 Davis .
- 2,194,736 3/1940 Bruler .
- 2,289,802 7/1942 Norton .

Primary Examiner—Cathy Anne MacCormac
Attorney, Agent, or Firm—DeWitt Ross & Stevens SC

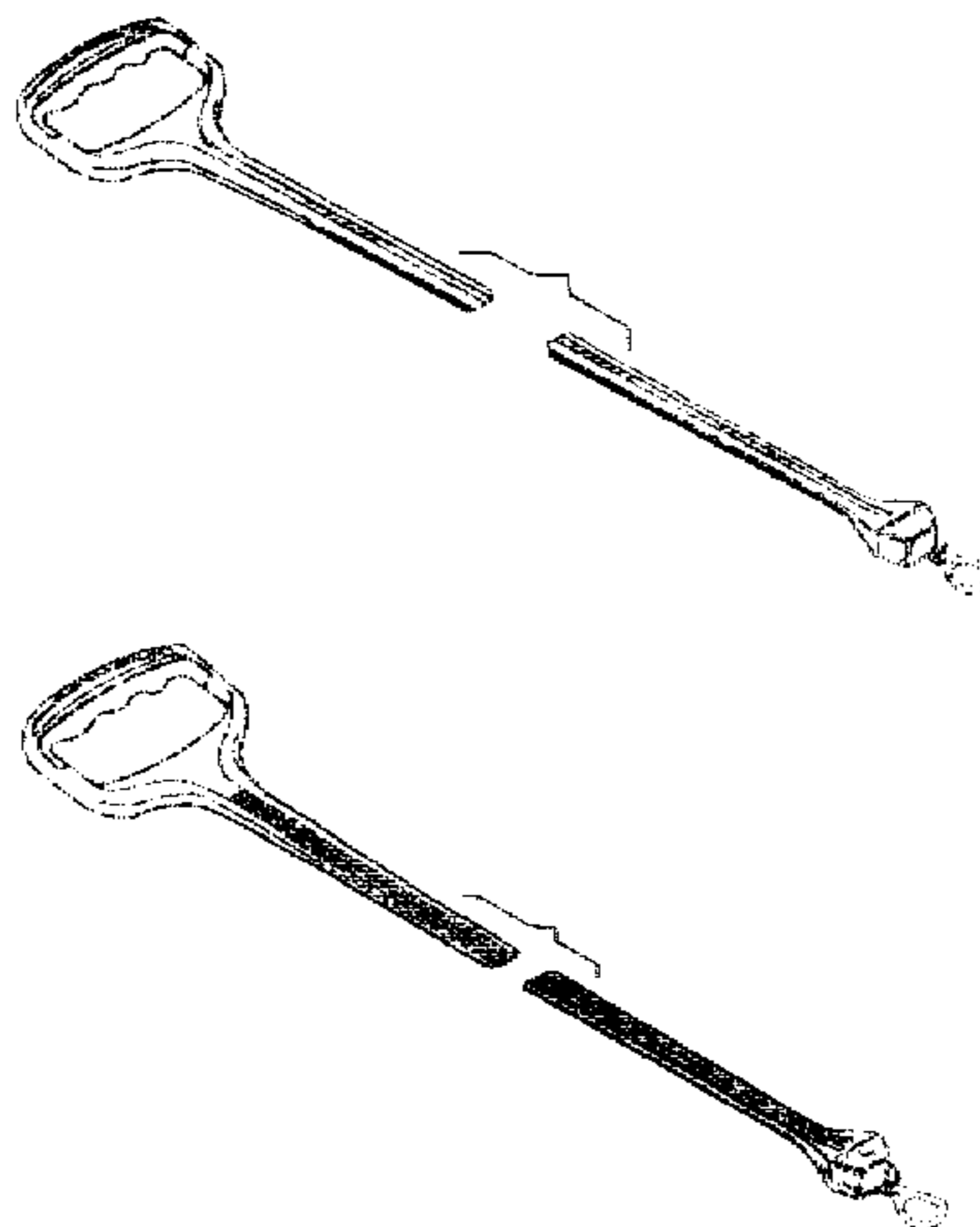
[57] CLAIM

The ornamental design for an animal leash, as shown and described.

DESCRIPTION

FIG. 1 is a top left perspective view of a first embodiment of an animal leash showing my new design;
 FIG. 2 is a top view thereof, the bottom view being a mirror image thereof;
 FIG. 3 is a right side view thereof, the left side being a mirror image thereof;
 FIG. 4 is a front view thereof;
 FIG. 5 is a perspective view of an alternate embodiment of FIG. 1; and,
 FIG. 6 is a perspective view of a second alternate embodiment of FIG. 1; wherein the difference between the embodiments is the valleys formed in the lead.
 The broken line drawing of the handle and snap hook in FIGS. 1-3 and 5-6 is for illustrative purposes only and forms no part of the claimed design. The animal leash is shown as broken away in FIGS. 1, 2, 3, 5 and 6 to indicate indeterminate length.

1 Claim, 6 Drawing Sheets



U.S. PATENT DOCUMENTS					
2,889,807	6/1959	Beebe .	3,948,477	4/1976	Lample .
2,908,522	10/1959	Glave .	4,019,463	4/1977	Kitchen .
2,909,154	10/1959	Thomas .	4,120,073	10/1978	Studebaker .
2,911,947	11/1959	Kramer .	4,161,051	7/1979	Brodwin .
2,919,946	1/1960	Miener .	4,165,713	8/1979	Brawner et al. .
2,937,023	5/1960	Seymour et al. .	4,167,156	9/1979	Kupperman et al. .
2,962,197	11/1960	Spangler, Jr. .	4,182,258	1/1980	Presser .
2,994,300	8/1961	Grahling .	4,182,272	1/1980	Taff .
3,072,097	1/1963	Morehand .	4,255,830	3/1981	Wilson .
3,096,741	7/1963	Ollstein .	4,391,226	7/1983	Guthrie .
3,104,650	9/1963	Grahling .	4,413,589	11/1983	Bielen, Jr. et al. .
3,115,227	12/1963	Shanok et al. .	4,488,511	12/1984	Grannano .
3,208,586	9/1965	Wilson .	4,559,906	12/1985	Smith .
3,214,166	10/1965	Gaudet .	4,563,981	1/1986	Kramer .
3,244,149	4/1966	Bosko et al. .	4,638,764	1/1987	Anderson .
3,269,495	8/1966	Bush .	4,681,303	7/1987	Grassano .
3,332,398	7/1967	Mintz .	4,735,035	4/1988	Mattioli .
3,395,675	8/1968	Fowlkes .	4,745,883	5/1988	Baggetta .
3,416,220	12/1968	Wilson .	4,763,609	8/1988	Kulik .
3,426,559	2/1969	Schubach .	4,765,279	8/1988	Klickstein .
3,441,005	4/1969	Fink .	4,777,784	10/1988	Ferguson .
3,548,906	12/1970	Murphy .	4,866,813	9/1989	Dupont .
3,563,208	2/1971	Nero .	4,879,972	11/1989	Crowe et al. .
3,603,295	9/1971	Shuman .	4,887,551	12/1989	Musetti .
3,722,478	3/1973	Smith .	4,887,552	12/1989	Hayden 119/895
3,752,127	8/1973	Baker .	4,892,063	1/1990	Garrigan .
3,783,835	1/1974	Kepirq .	4,903,638	2/1990	Lacey .
3,867,905	2/1975	Vail, Jr. .	4,998,507	3/1991	Browning .
3,870,296	3/1975	Ellis .	5,099,799	3/1992	Giacobbe .
3,884,190	5/1975	Gurrey .	5,233,942	8/1993	Cooper et al. .
3,910,234	10/1975	Henson .	5,291,856	3/1994	Goller .
			5,351,654	10/1994	Fuentes .

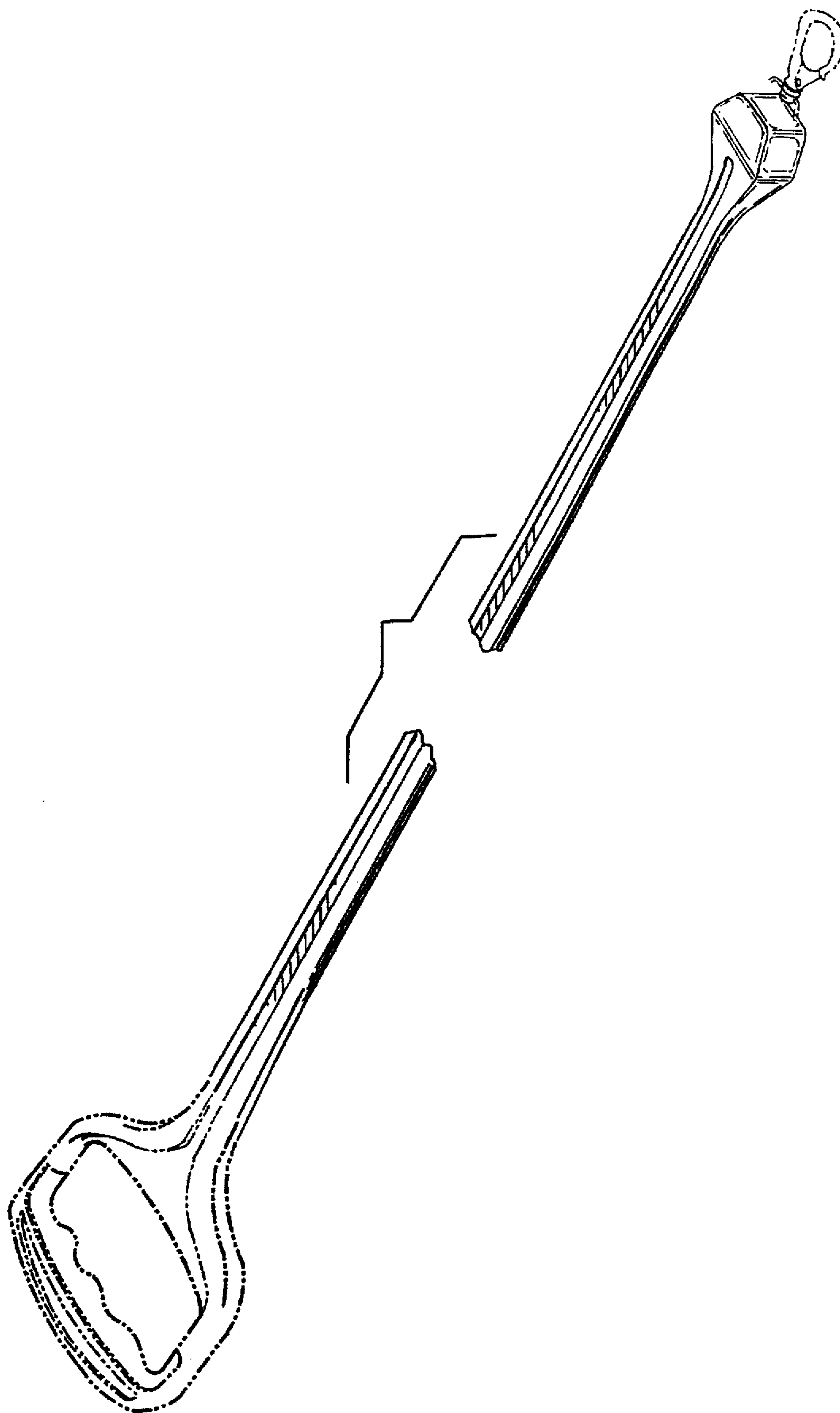


FIG. 1

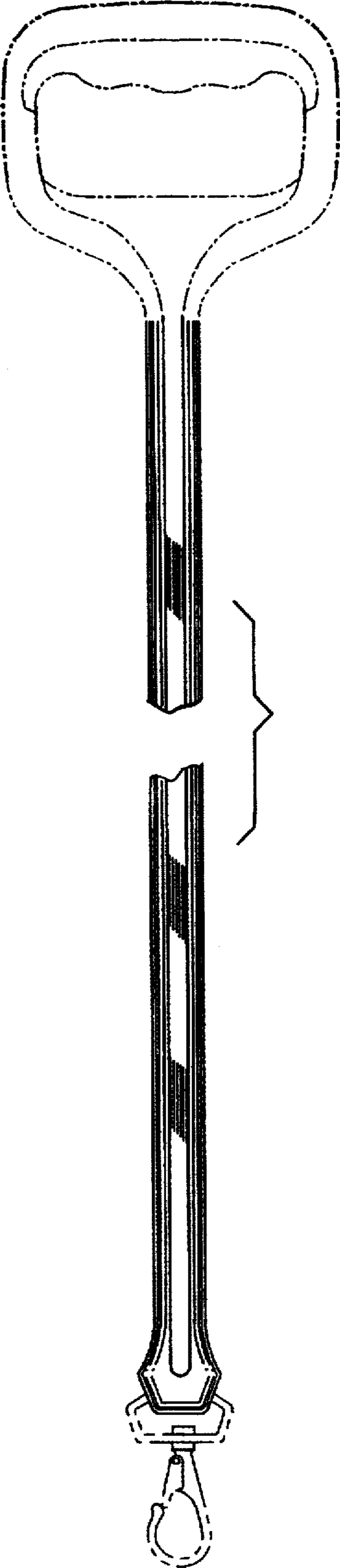


FIG. 2

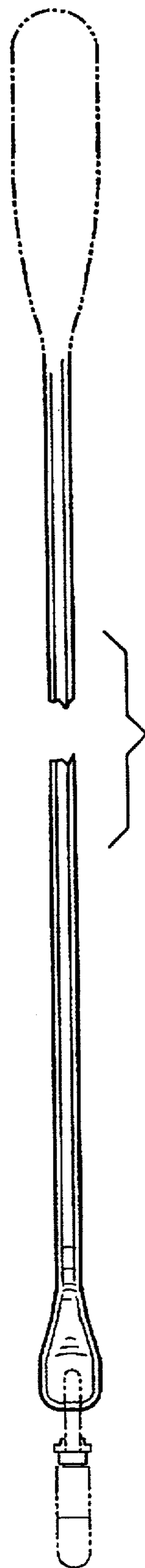


FIG. 3



FIG. 4

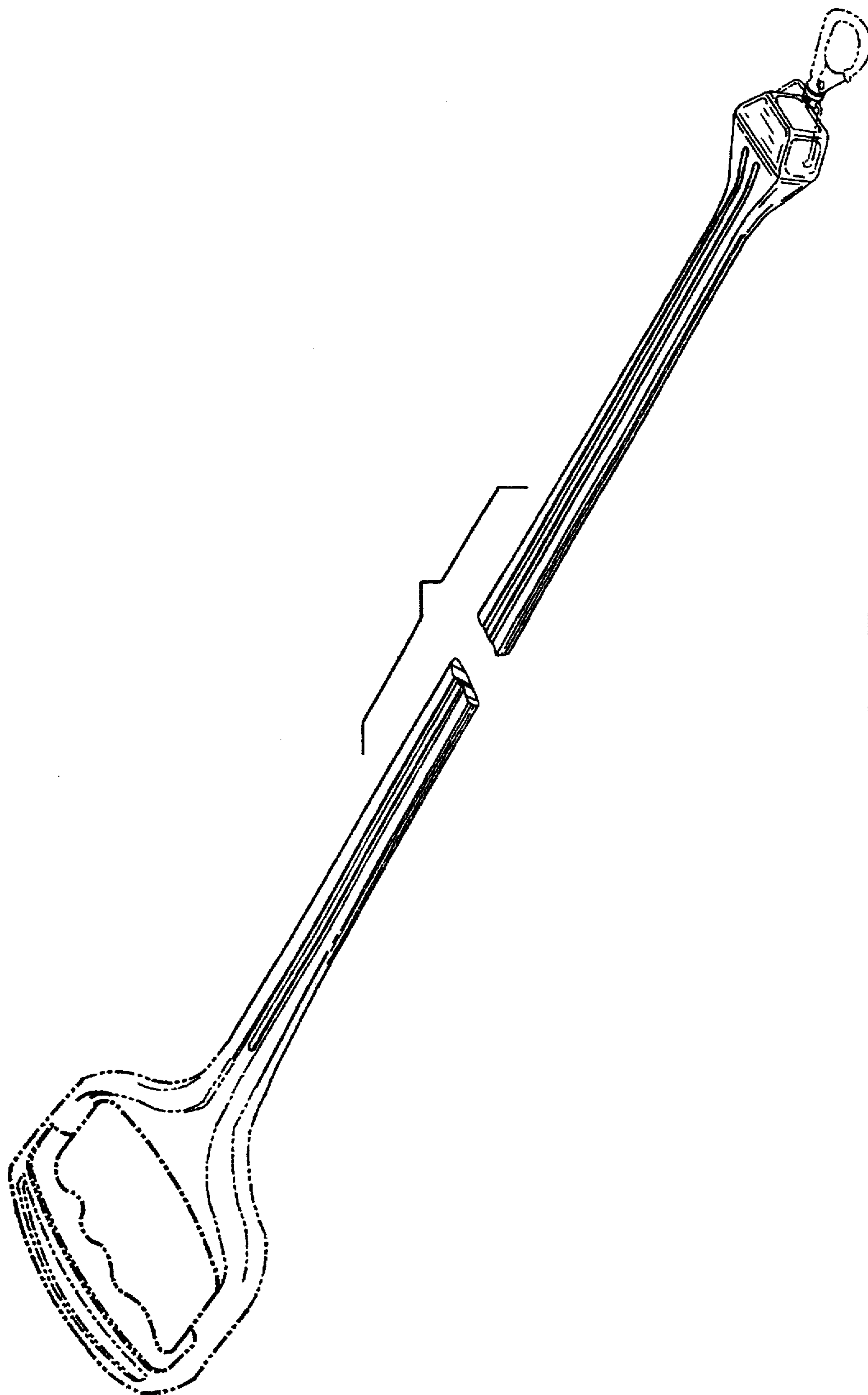


FIG. 5

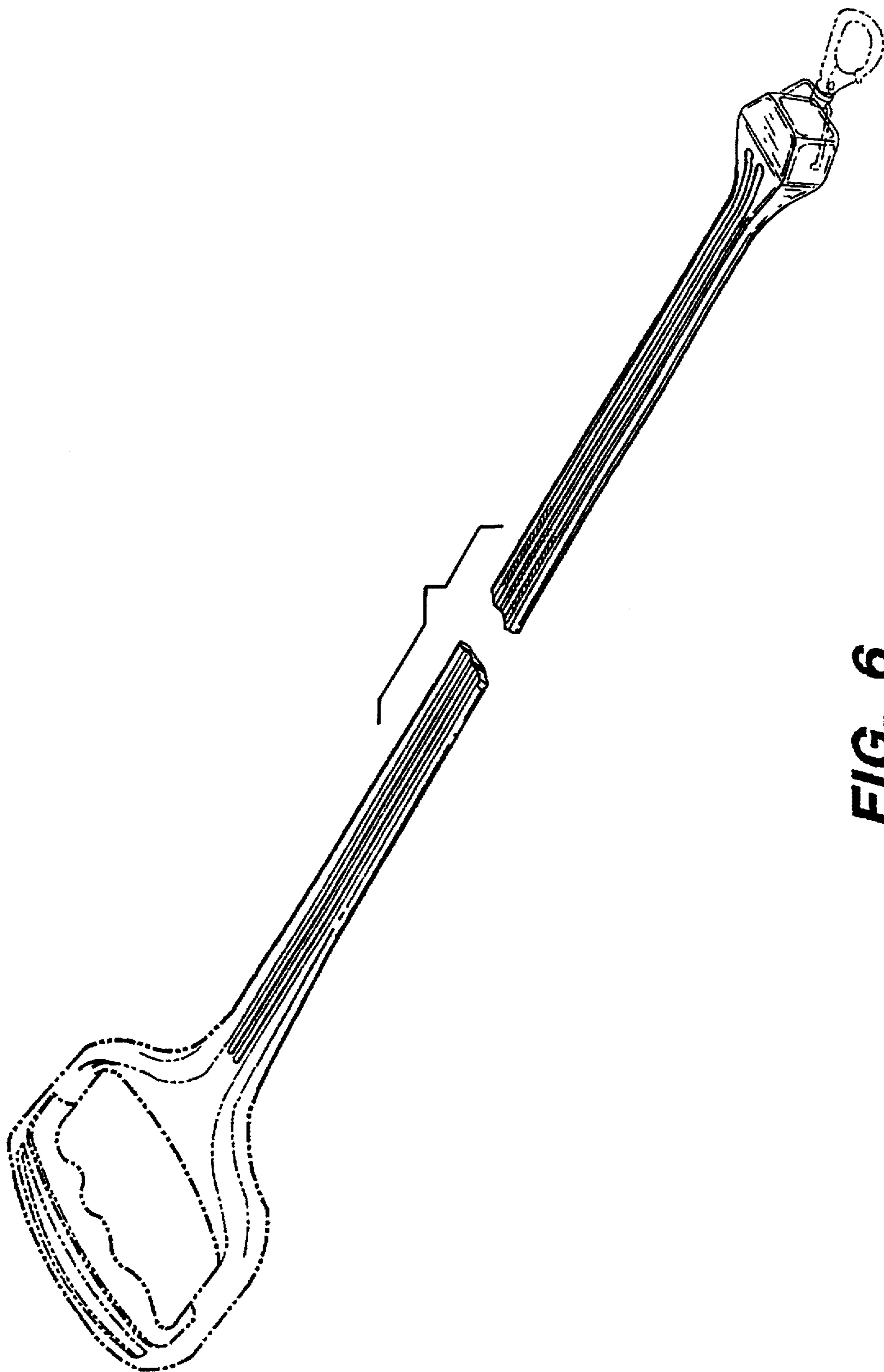


FIG. 6