



US00D389611S

**United States Patent** [19]  
**Giacomozzi**

[11] **Patent Number: Des. 389,611**  
[45] **Date of Patent: \*\*Jan. 20, 1998**

[54] **ANIMAL TRANSFER CARRIER**  
[76] **Inventor: Robert Brian Giacomozzi, 1805  
Wheeler Ave., Killeen, Tex. 76542-1140**  
[\*\*] **Term: 14 Years**

4,989,744	2/1991	Tominago .....	119/497
5,113,793	5/1992	Leader et al. ....	119/453
5,218,925	6/1993	Anderson .....	119/501
5,445,302	8/1995	Holtorf .....	119/497
5,467,734	11/1995	Ho .....	119/496
5,503,107	4/1996	Satcher et al. ....	119/496
5,577,646	11/1996	White .....	119/496

[21] **Appl. No.: 63,580**  
[22] **Filed: Dec. 2, 1996**

**FOREIGN PATENT DOCUMENTS**

145497	2/1952	Australia .....	D22/119
4221794	1/1994	Germany .....	D30/161

[51] **LOC (6) Cl. .... 30-02**  
[52] **U.S. Cl. .... D30/109; D22/119**  
[58] **Field of Search .... D30/108, 109,  
D30/118, 161; 119/453, 497, 498, 482,  
473, 496, 510, 501, 524, 841; D22/119,  
122**

**OTHER PUBLICATIONS**

Hawbaker's Trappers Supplies catalog; p. 16; Havahart Live Animal Cage Traps, 1951.

*Primary Examiner*—Cathy Anne MacCormac

[57] **CLAIM**

The ornamental design for an animal transfer carrier, as shown and described.

[56] **References Cited**

**U.S. PATENT DOCUMENTS**

D. 313,453	1/1991	Eckard .....	D22/119
D. 333,709	3/1993	Warren .....	D30/109
D. 353,030	11/1994	Fernandez .....	D30/108
2,821,165	1/1958	Wright .....	119/482
3,156,213	11/1964	Patten .....	D30/109
3,611,994	10/1971	Bailey .....	119/496
3,890,932	6/1975	Sanzone et al. ....	D30/109
4,785,766	11/1988	Blalock, Jr. ....	119/497
4,850,133	7/1989	Burzdak et al. ....	D22/122

**DESCRIPTION**

FIG. 1 is a front elevational view of the animal transfer carrier showing my new design;  
FIG. 2 is a rear elevational view thereof;  
FIG. 3 is a right side view thereof;  
FIG. 4 is a left side view thereof;  
FIG. 5 is a top plan view thereof; and,  
FIG. 6 is a bottom plan view thereof.

**1 Claim, 3 Drawing Sheets**

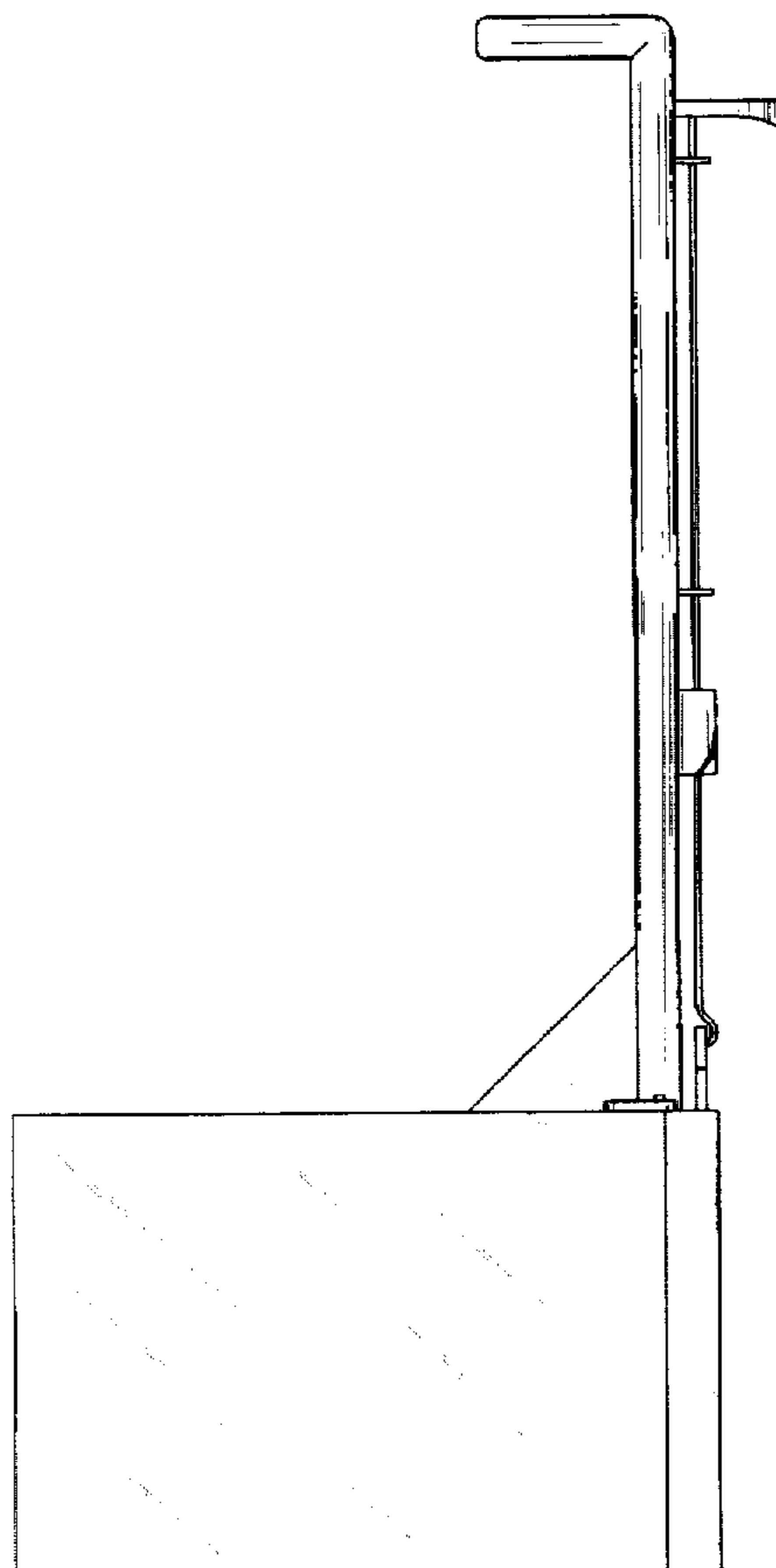
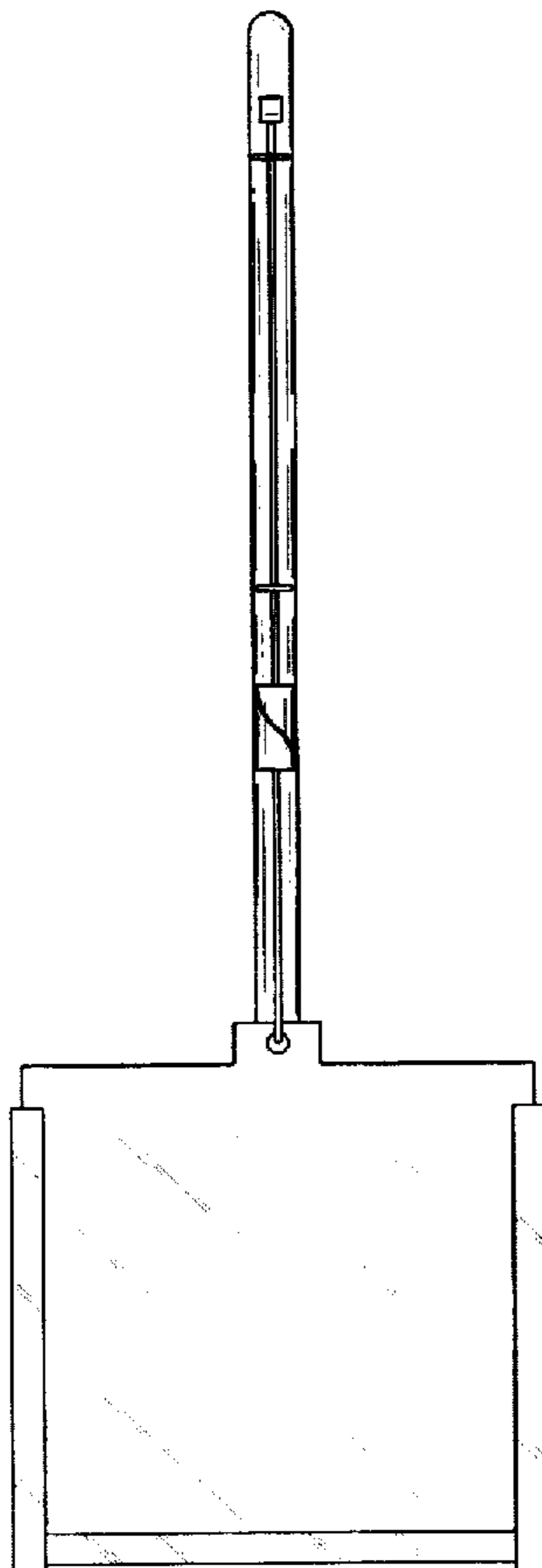


FIG. 1

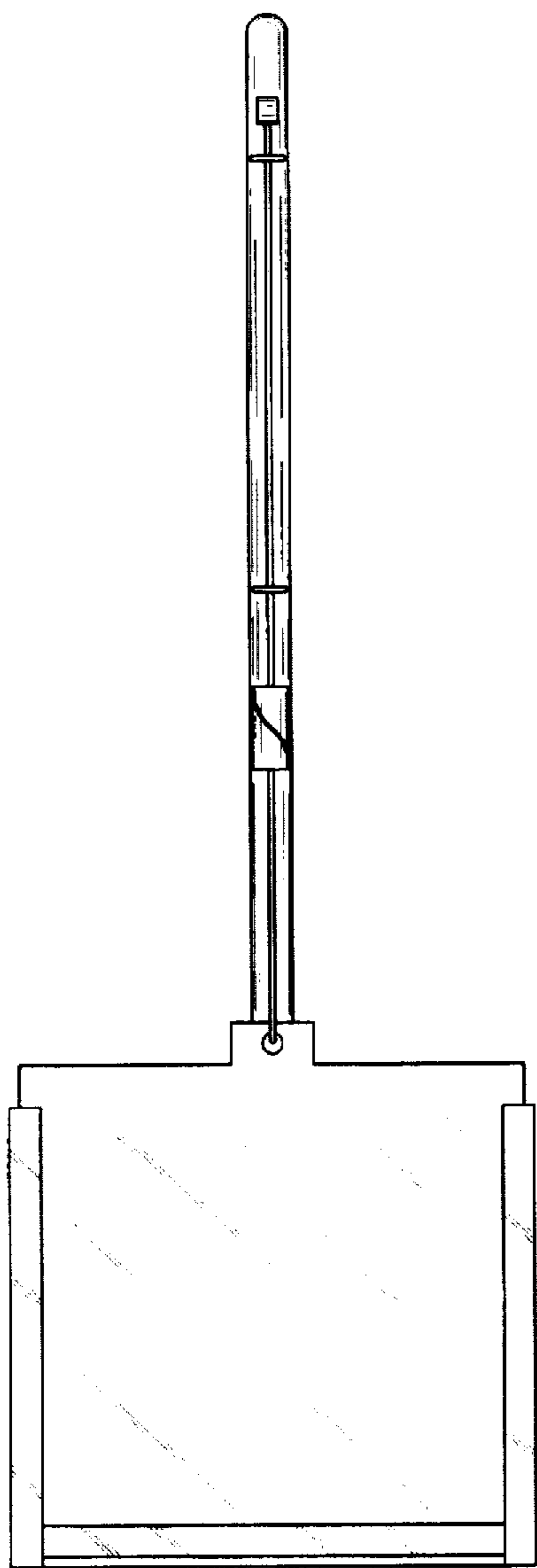


FIG. 2

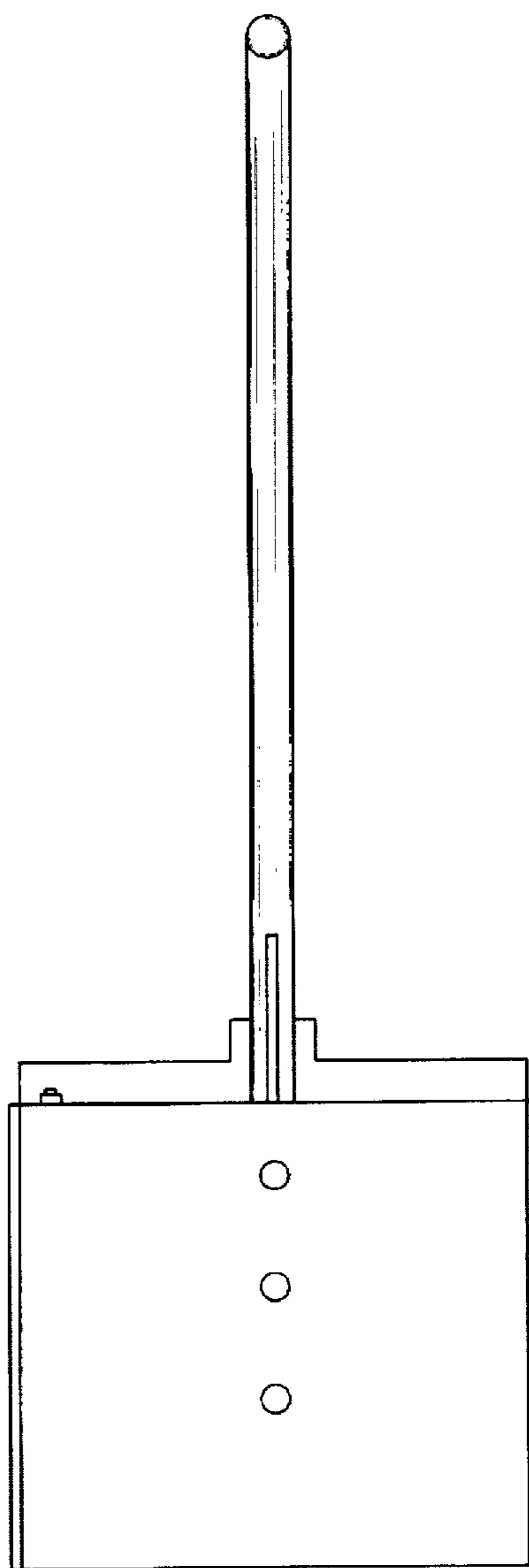


FIG. 3

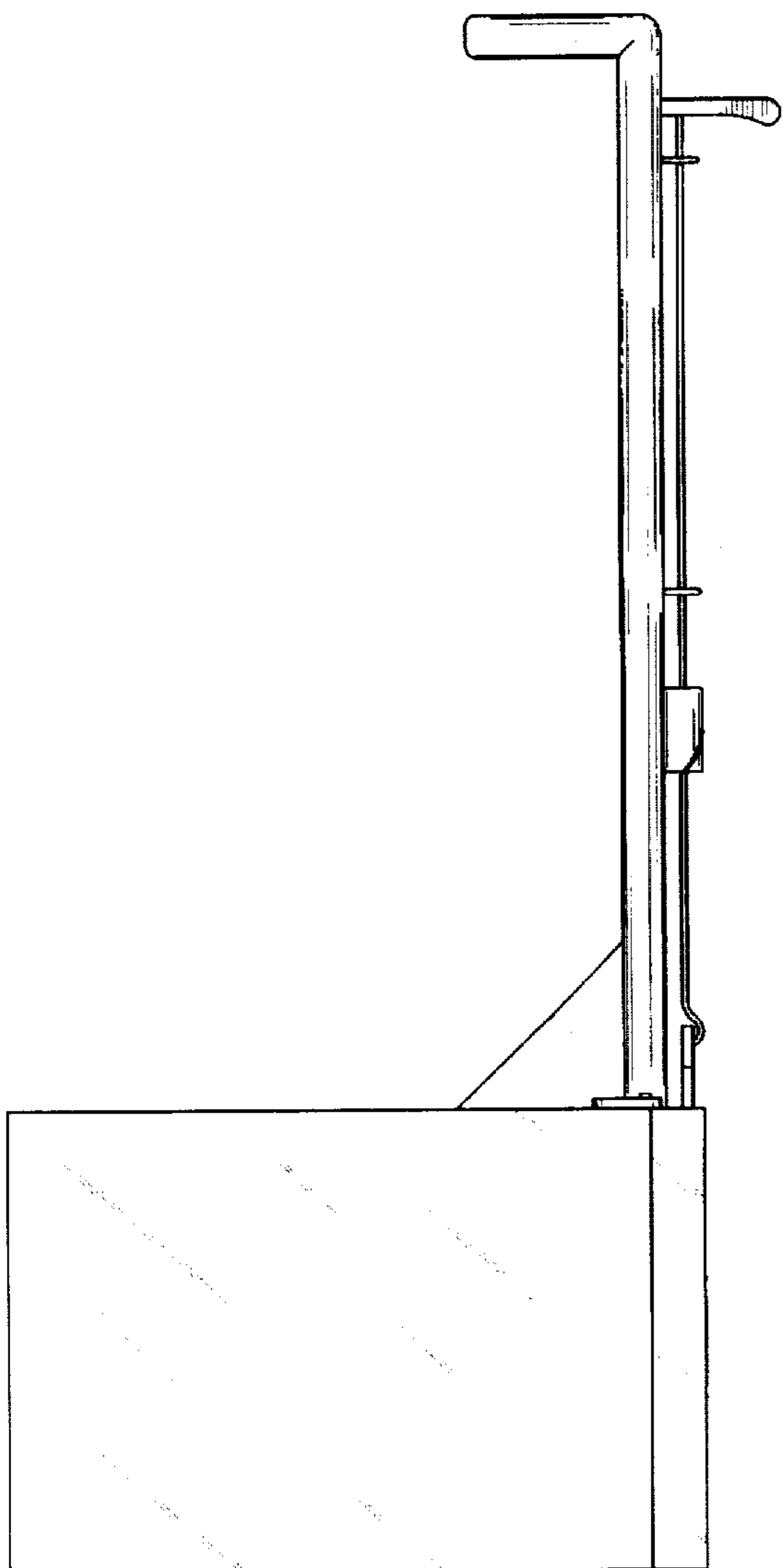


FIG. 4

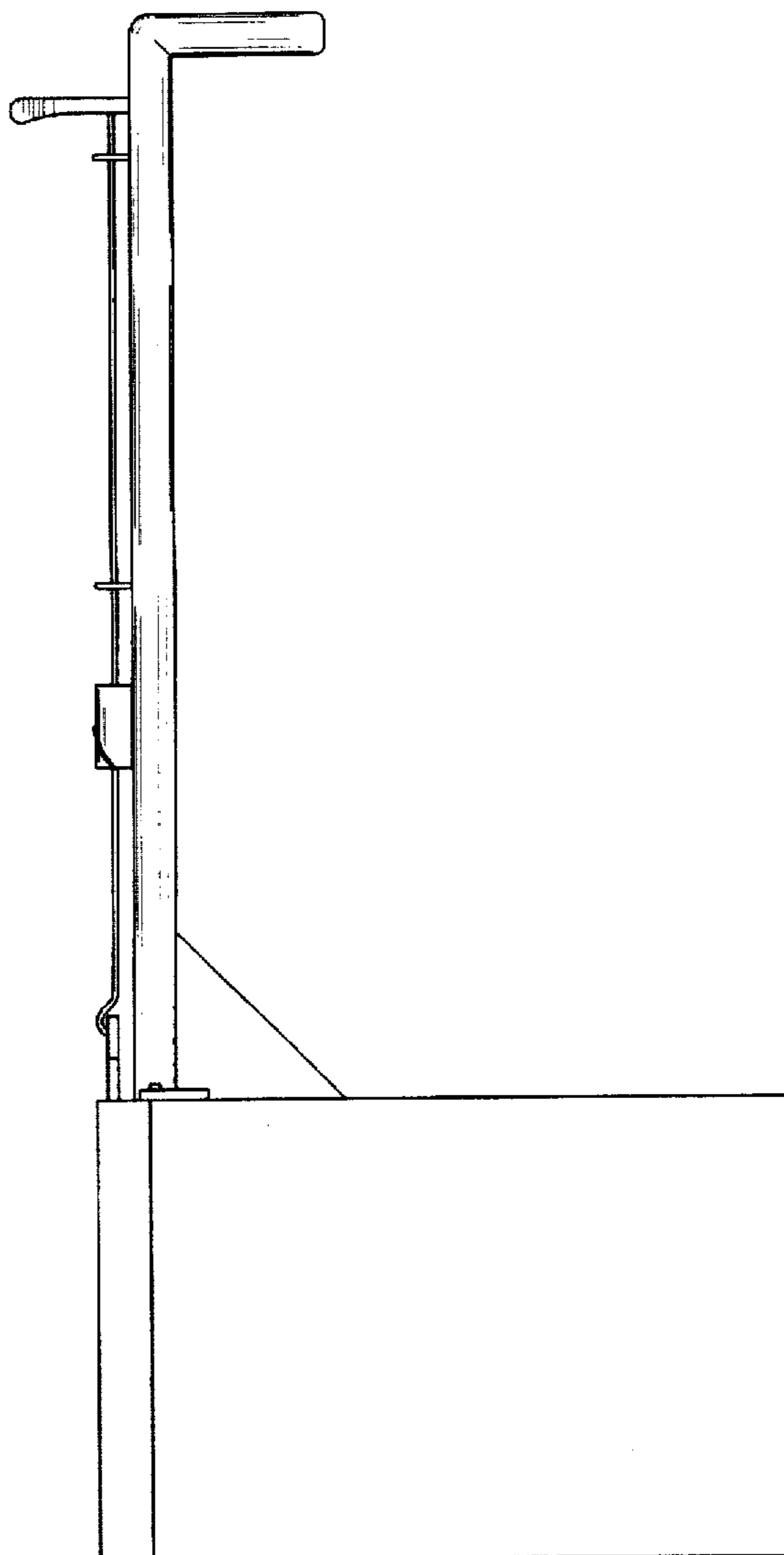


FIG. 5

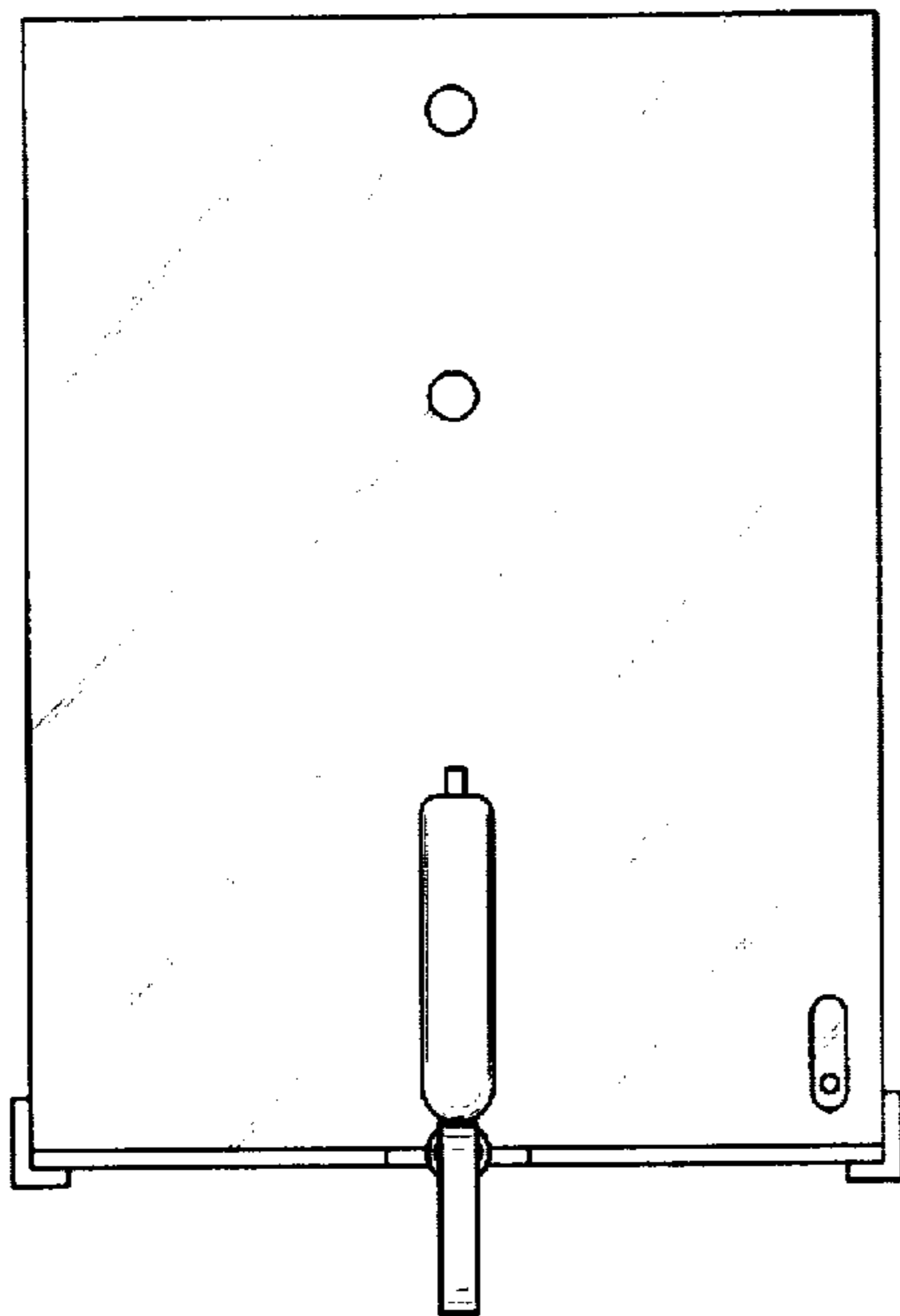


FIG. 6

