



US00D389610S

United States Patent [19]
Krause

[11] **Patent Number: Des. 389,610**
[45] **Date of Patent: **Jan. 20, 1998**

[54] **PET EXERCISE ENCLOSURE**
[75] **Inventor: Robert C. Krause, Arlington Heights, Ill.**
[73] **Assignee: Pets International, Ltd., Arlington Heights, Ill.**
[**] **Term: 14 Years**
[21] **Appl. No.: 49,604**
[22] **Filed: Dec. 27, 1995**
[51] **LOC (6) Cl. 30-02**
[52] **U.S. Cl. D30/108**
[58] **Field of Search D30/108, 109, D30/118; 119/702, 706, 482, 417, 421**

D. 347,913 6/1994 Wellington et al. D30/108
3,653,357 4/1972 Shiedlower et al. 119/421
3,999,519 12/1976 Rodemeyer 119/421
5,186,122 2/1993 Phillips et al. 119/702
5,387,165 2/1995 Warren 119/702

OTHER PUBLICATIONS

Metaframe Corp. brochure; Introducing Living World Habitat Sets; 1972.

Primary Examiner—Cathy Anne MacCormac
Attorney, Agent, or Firm—Douglas B. White

[57] **CLAIM**

The ornamental design for a pet exercise enclosure, as shown.

DESCRIPTION

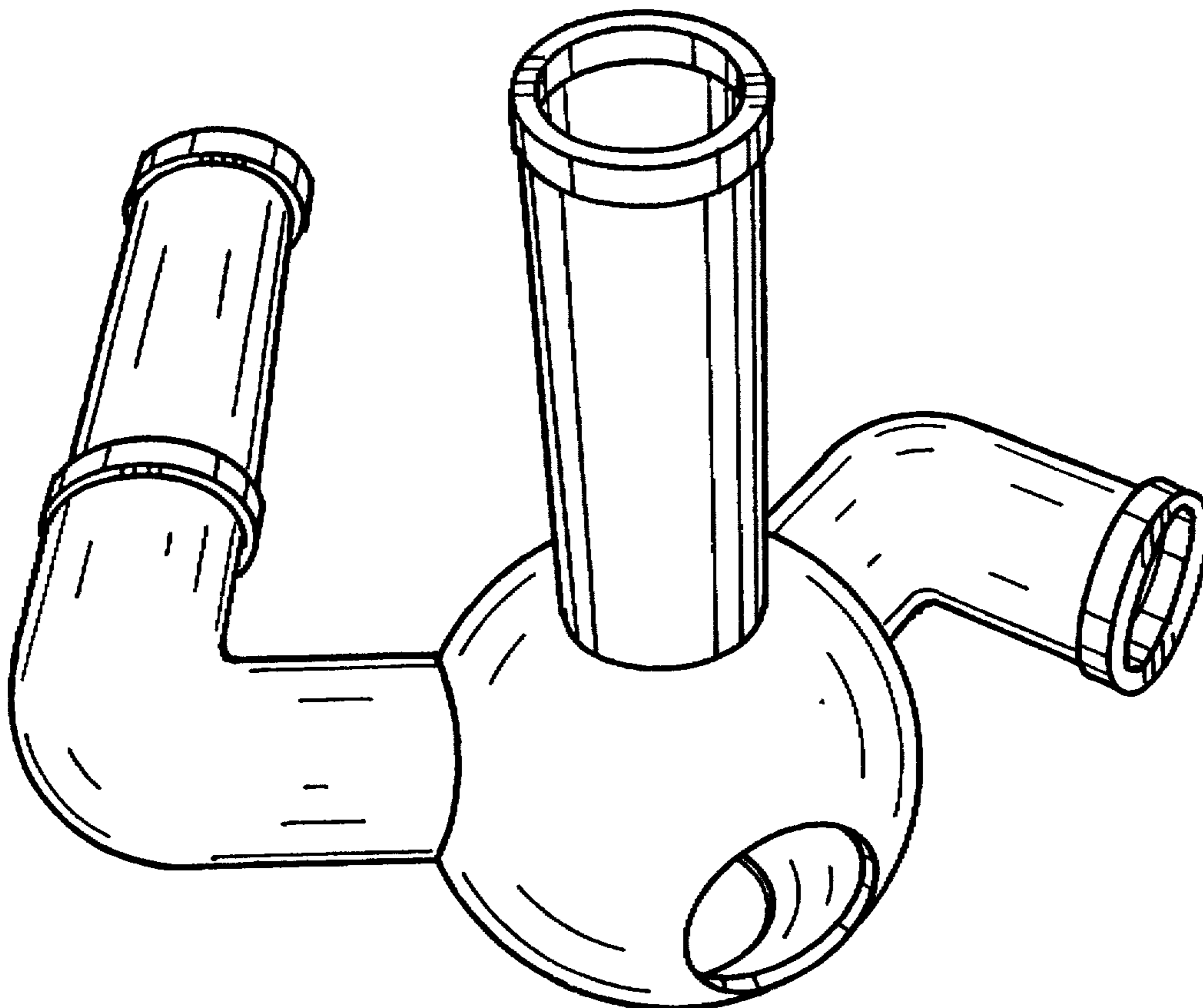
FIG. 1 is a perspective view of the pet exercise enclosure; FIG. 2 is a top view of the pet exercise enclosure; FIG. 3 is a front view of the pet exercise enclosure; FIG. 4 is a left side view of the pet exercise enclosure; FIG. 5 is a rear view of the pet exercise enclosure; FIG. 6 is a right side view of the pet exercise enclosure; and, FIG. 7 is a bottom view of the pet exercise enclosure.

[56] **References Cited**

U.S. PATENT DOCUMENTS

D. 231,367 4/1974 Willinger et al. D30/108
D. 231,371 4/1974 Willinger et al. D30/108
D. 232,036 7/1974 Willinger et al. D30/108
D. 235,111 5/1975 Lovitz et al. D30/108
D. 258,543 3/1981 Milnar D30/108
D. 270,297 8/1983 Lovitt D30/108

1 Claim, 3 Drawing Sheets



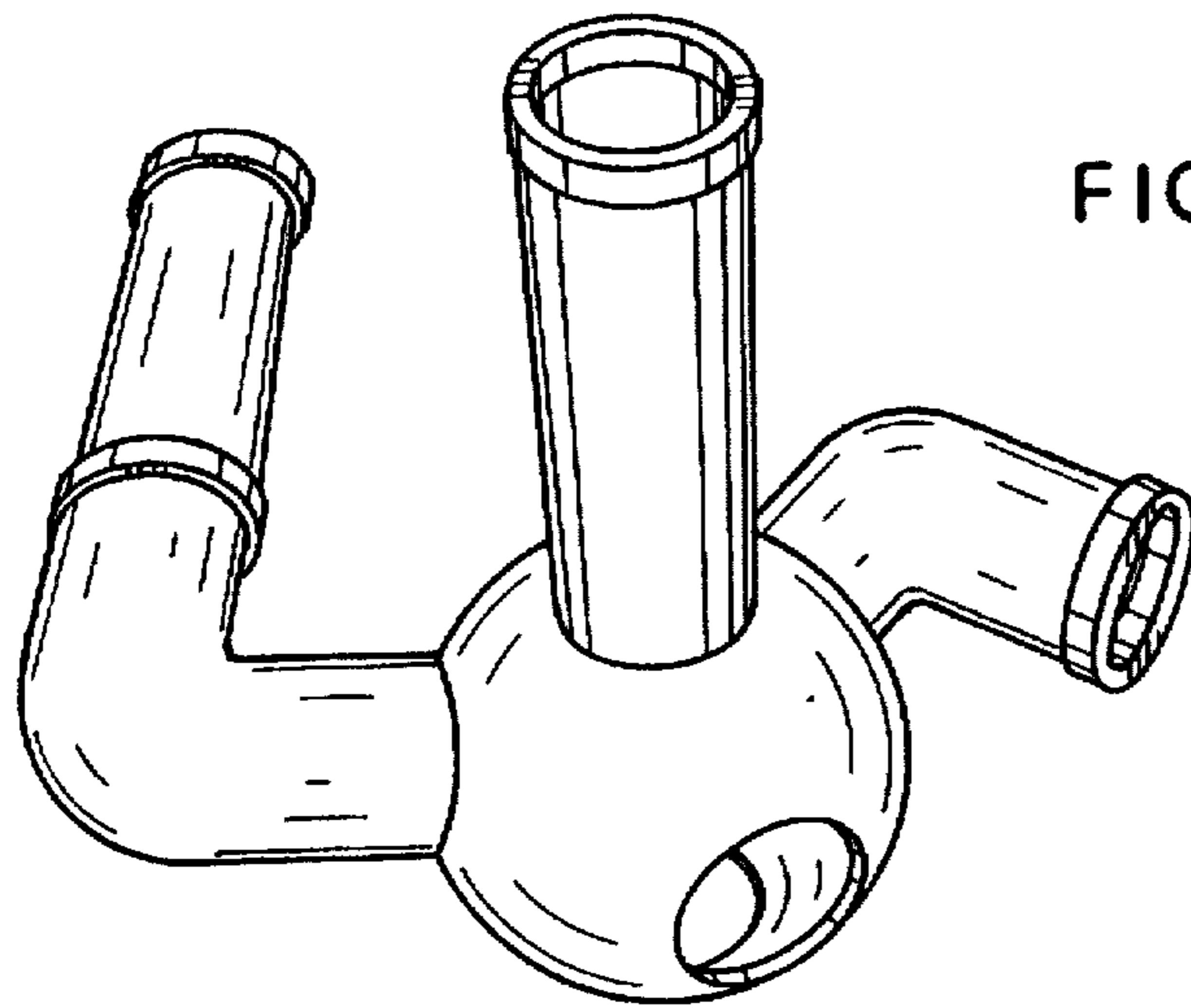


FIG. 1

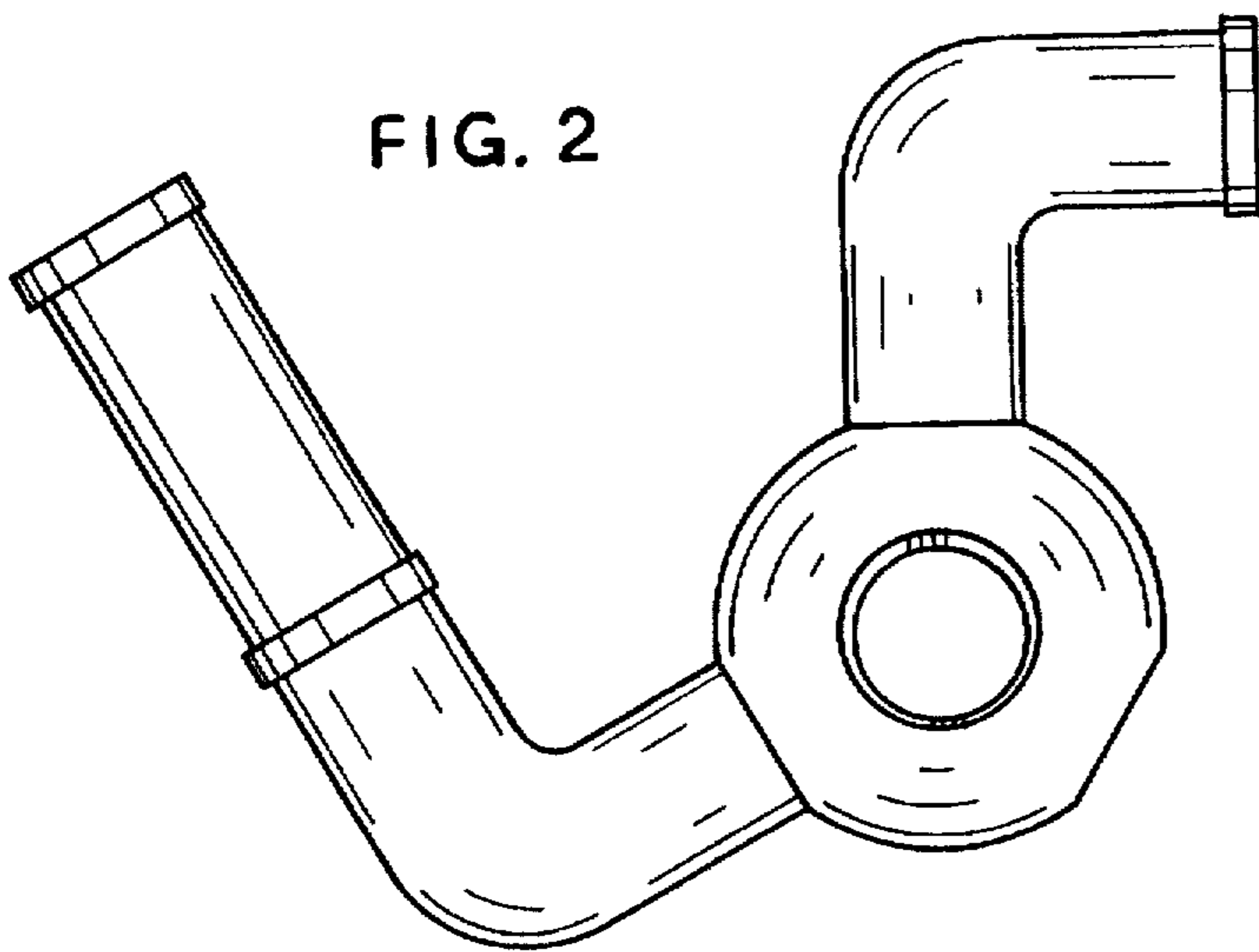


FIG. 2

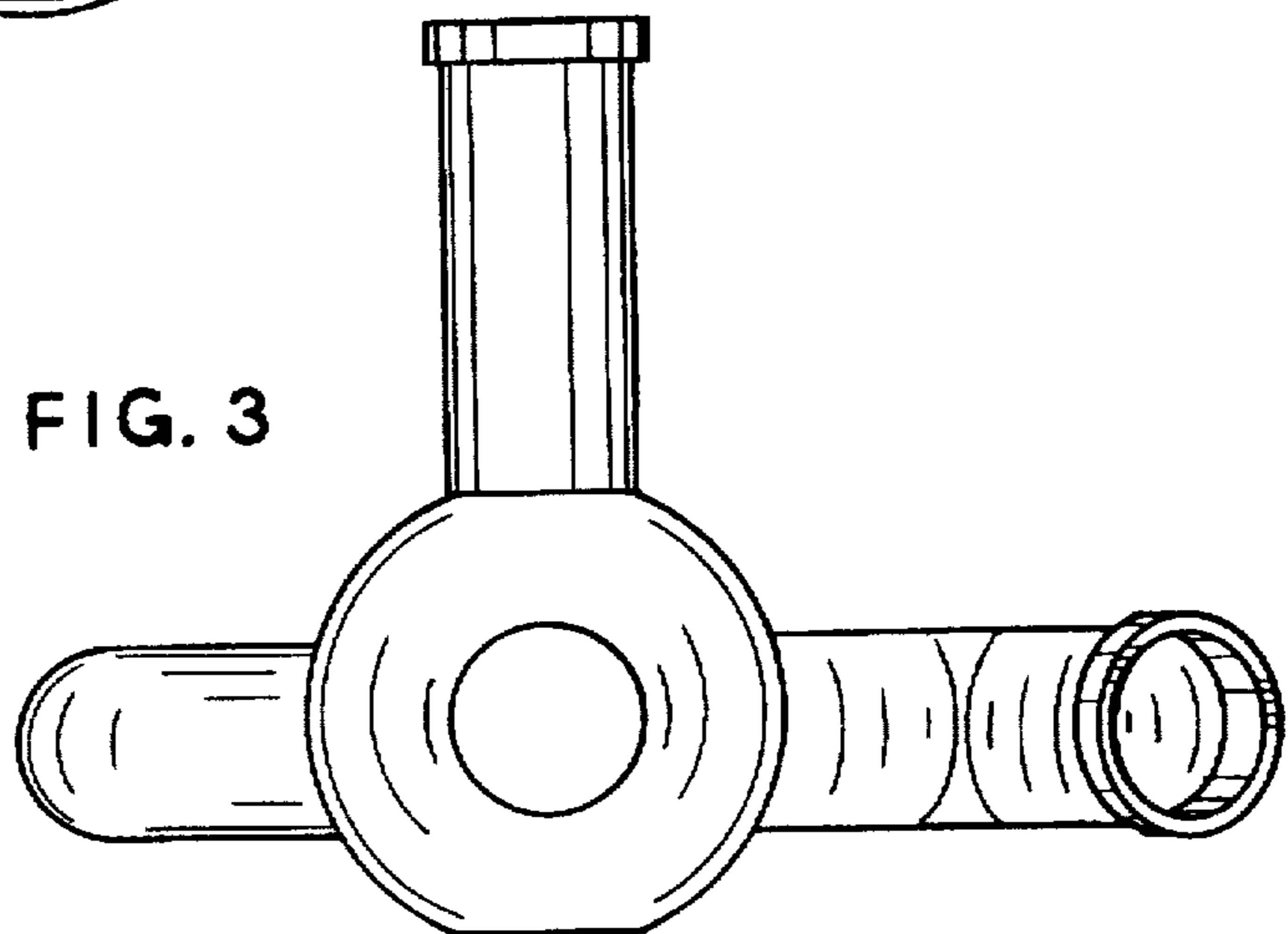


FIG. 3

FIG. 4

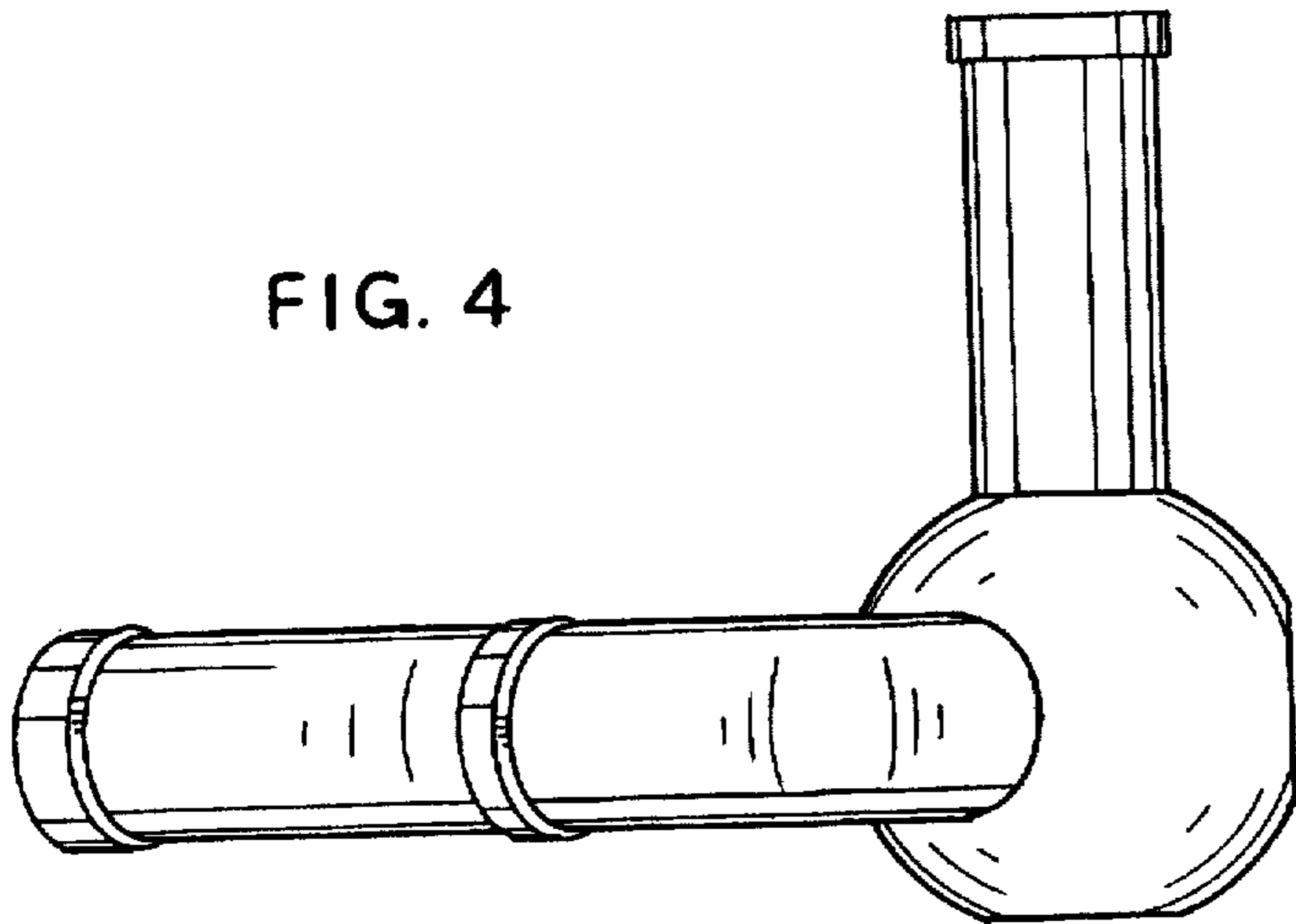


FIG. 5

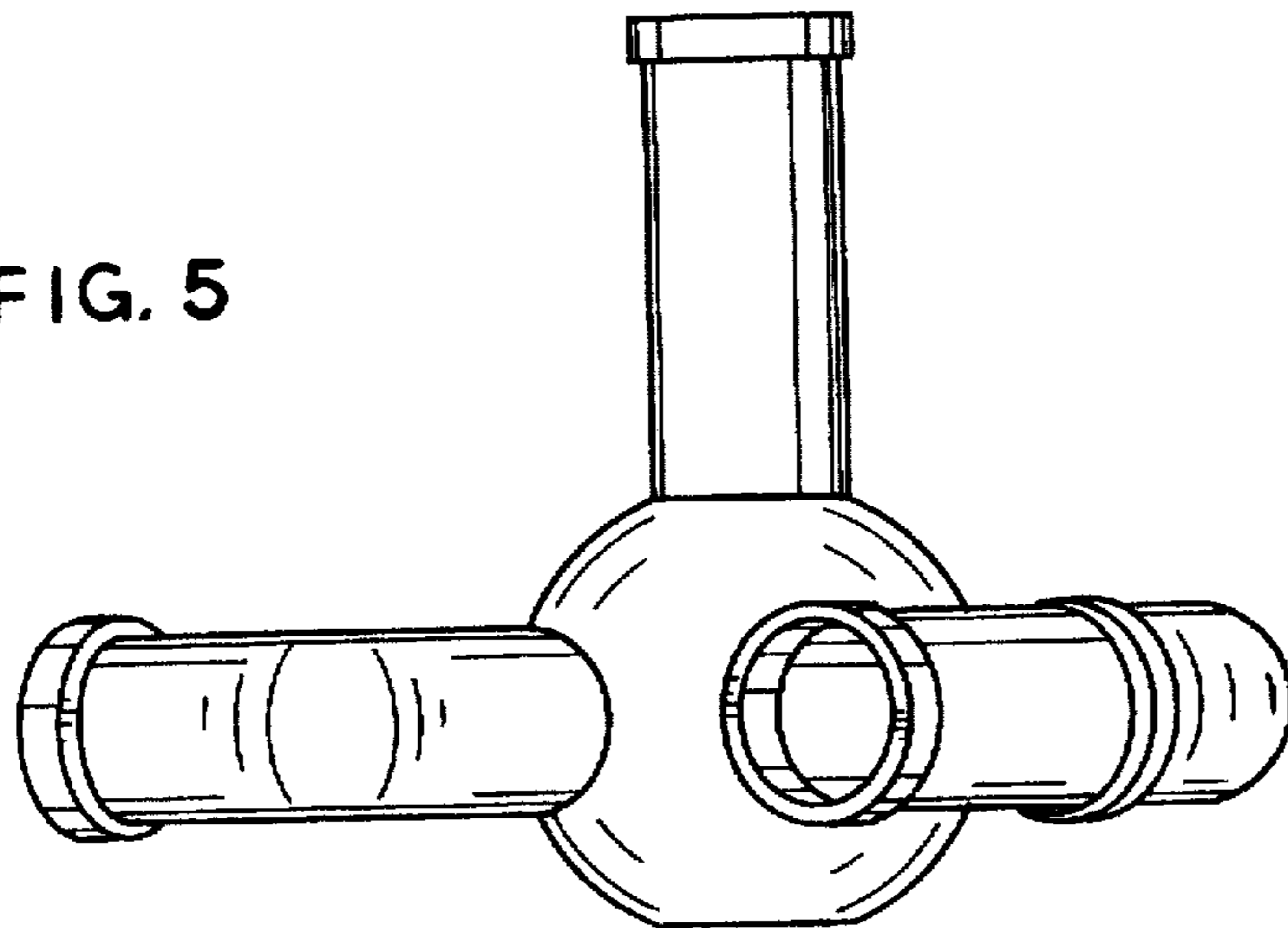
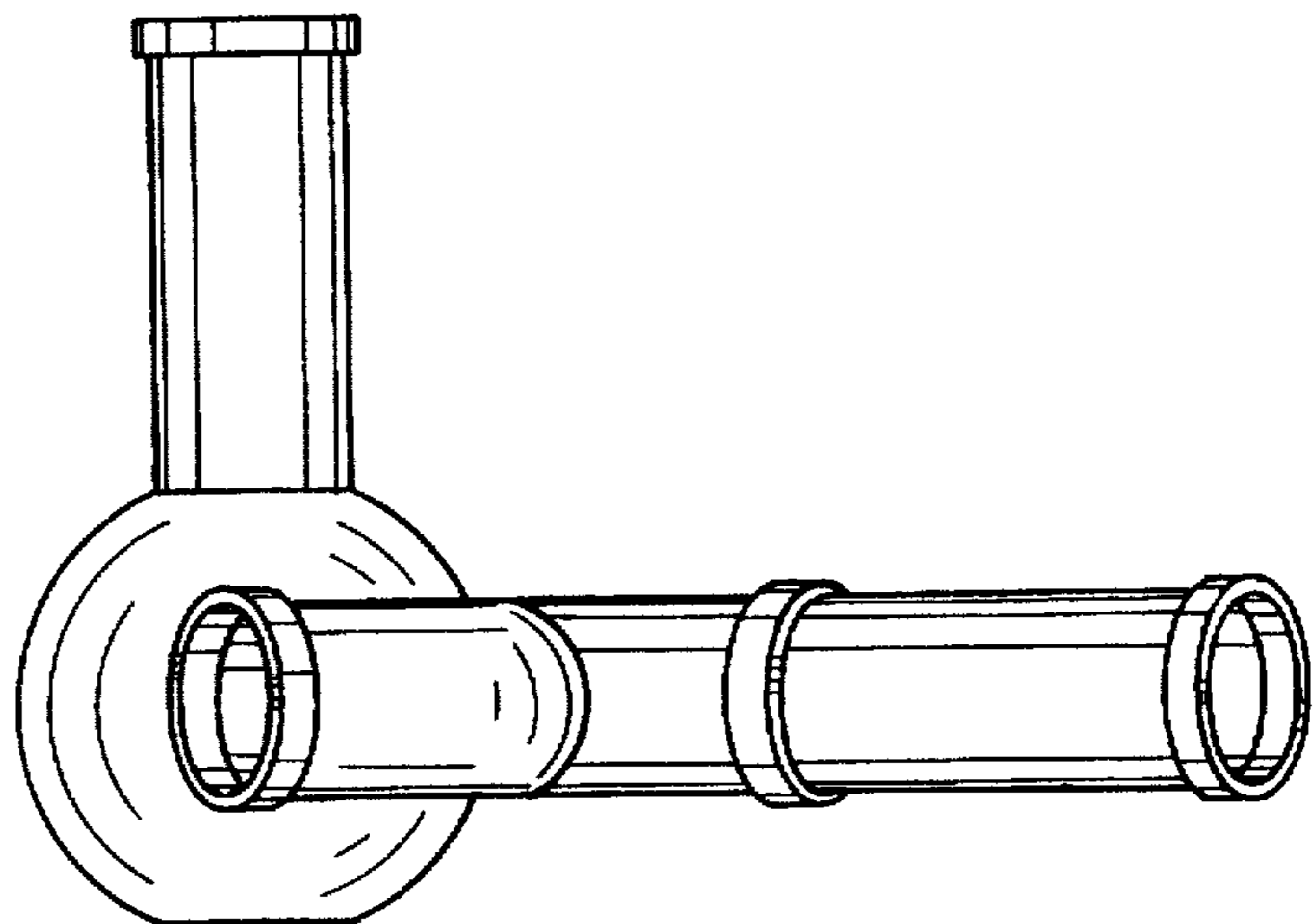


FIG. 6



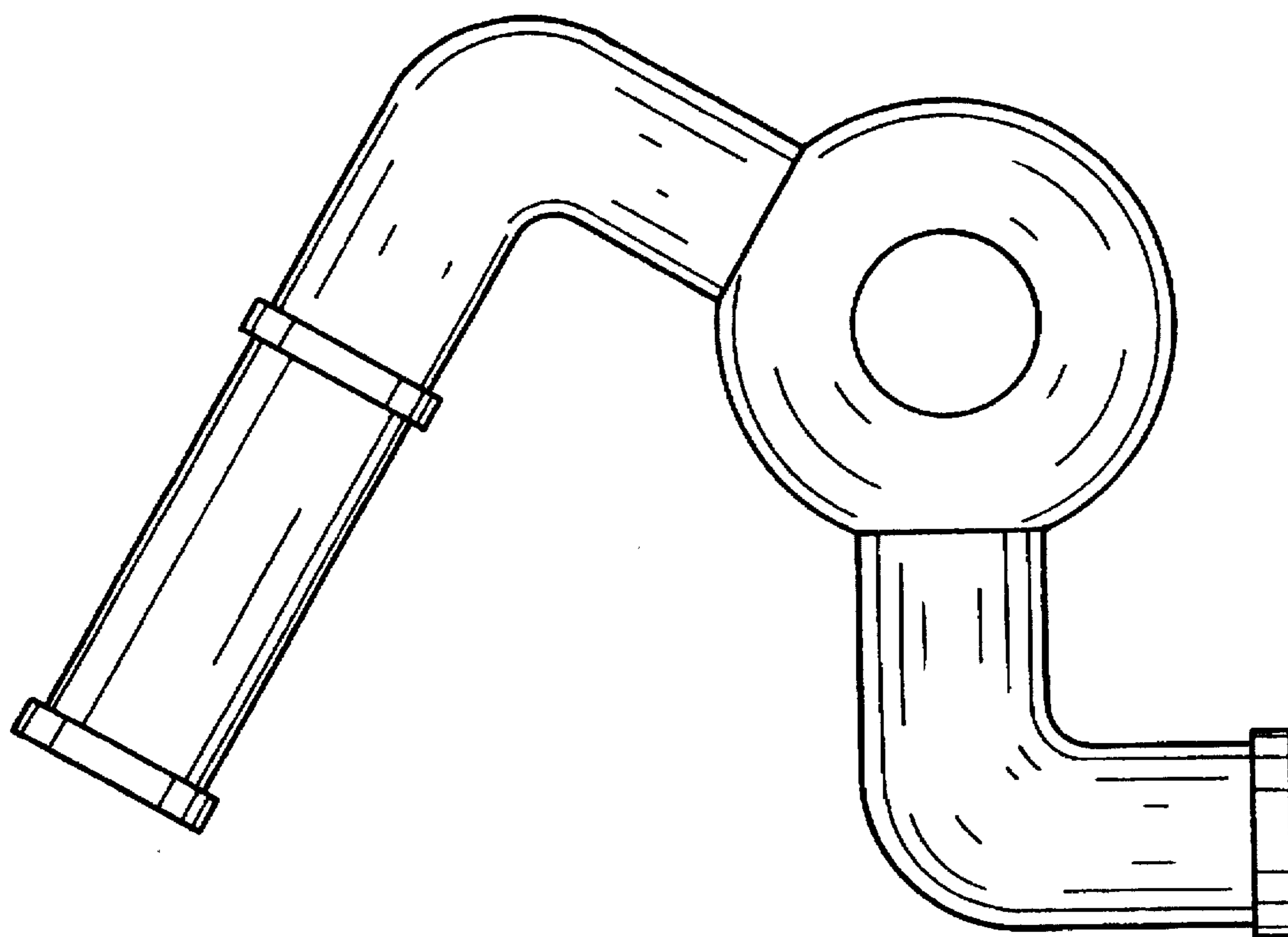


FIG. 7