



US00D389605S

# United States Patent [19]

Berke

[11] Patent Number: **Des. 389,605**

[45] Date of Patent: **\*\*Jan. 20, 1998**

[54] **SPORTSMAN'S HELMET WITH EXTENDED VISION OPTICAL ELEMENTS**

[76] Inventor: **Joseph J. Berke**, 2063 Long Lake Shore, West Bloomfield, Mich. 48323

[\*\*] Term: **14 Years**

[21] Appl. No.: **58,005**

[22] Filed: **Aug. 6, 1996**

[51] **LOC (6) Cl.** ..... **09-03**

[52] **U.S. Cl.** ..... **D29/103**

[58] **Field of Search** ..... D29/102-106, D29/122; 2/422-423, 425, 10, 209.13, 209.14; 359/880; 350/879, 871; D12/189; D6/300, 309; D2/891, 864

[56] **References Cited**

**U.S. PATENT DOCUMENTS**

- D. 309,961 8/1990 Bobrick ..... D29/102
- D. 361,408 8/1995 Ho ..... D29/102
- D. 361,409 8/1995 Ho ..... D29/102
- D. 378,159 2/1997 Mulkey ..... D29/103
- 4,603,944 8/1986 Greenlaw et al. .... D29/103

5,048,943 9/1991 Allen ..... D29/122

*Primary Examiner*—Ruth McInroy  
*Attorney, Agent, or Firm*—Alex Rhodes

[57] **CLAIM**

The ornamental design for a sportman's helmet with extended vision optical elements, as shown and described.

**DESCRIPTION**

FIG. 1 is a plan view of a sportman's helmet with a pair of extended vision optical elements in non-operable positions, showing my new design;

FIG. 2 is a right side view of FIG. 1;

FIG. 3 is a front view of FIG. 1;

FIG. 4 is a bottom view of FIG. 1;

FIG. 5 is a plan view of the sportman's helmet with the optical elements in an operable position;

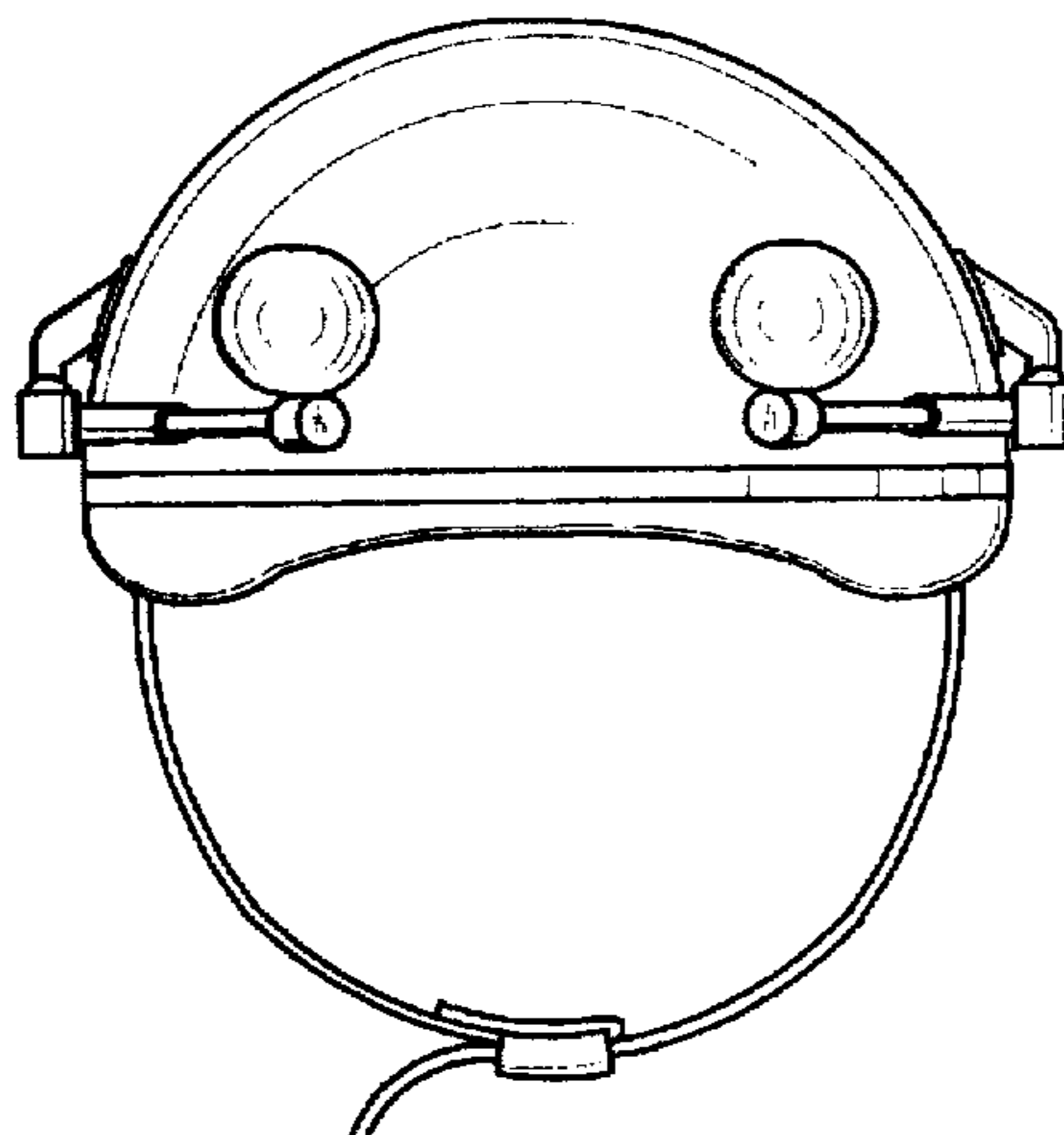
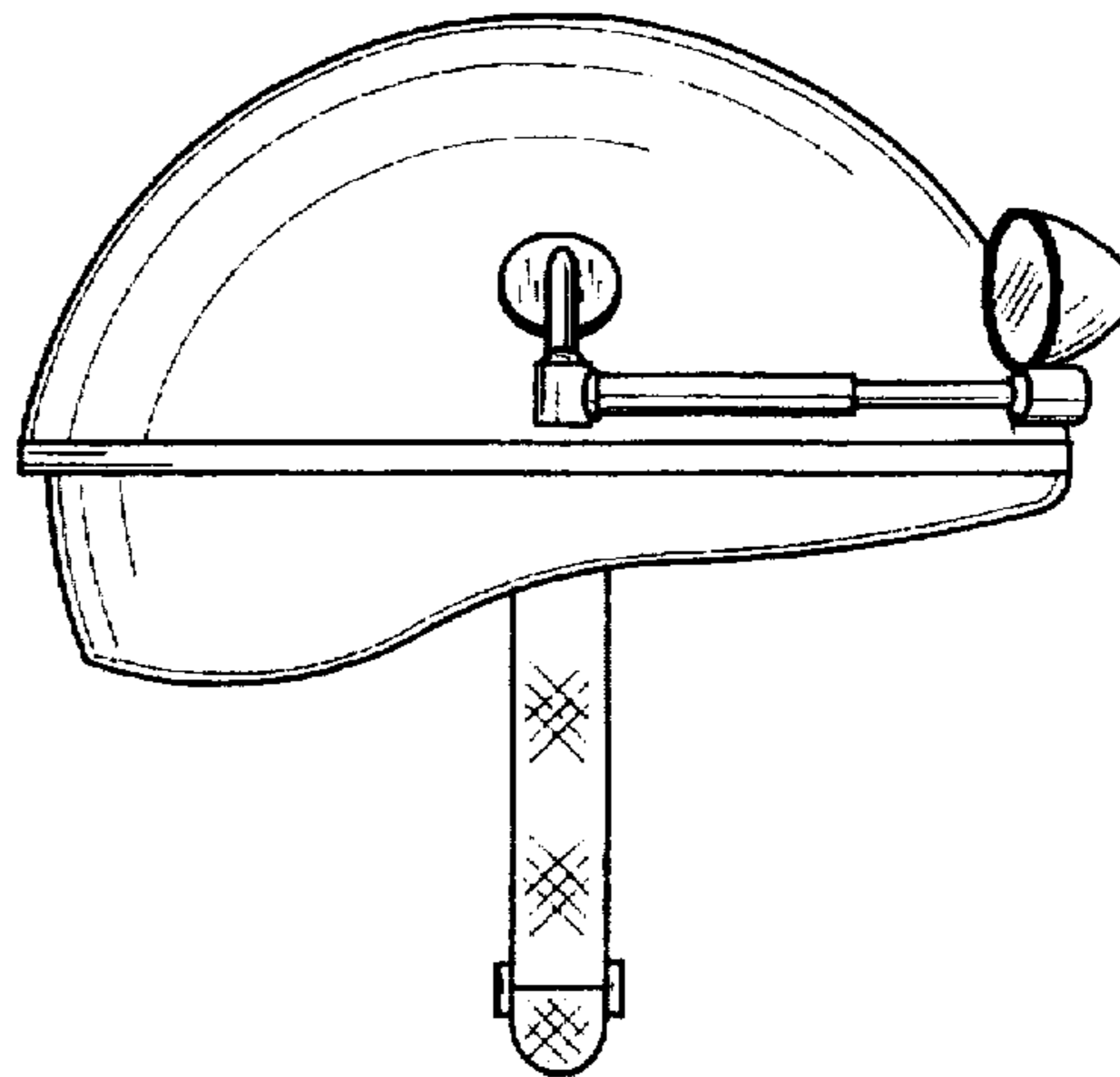
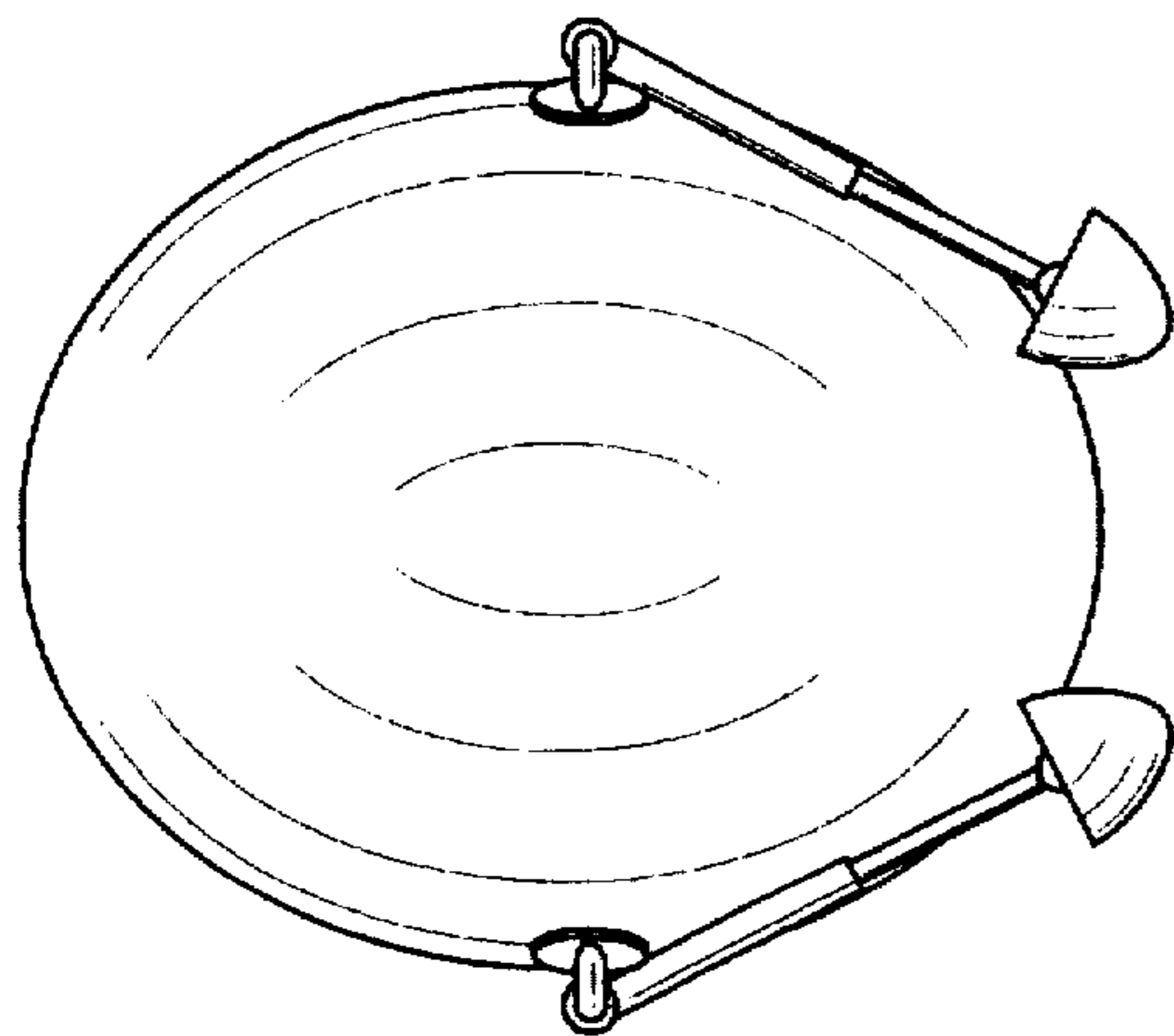
FIG. 6 is a right side view of FIG. 5;

FIG. 7 is a front view of FIG. 5; and,

FIG. 8 is a bottom view of FIG. 5.

The crosshatch surface shading shown in FIGS. 2, 5, 6 and 8 is understood to repeat throughout the strap.

**1 Claim, 4 Drawing Sheets**



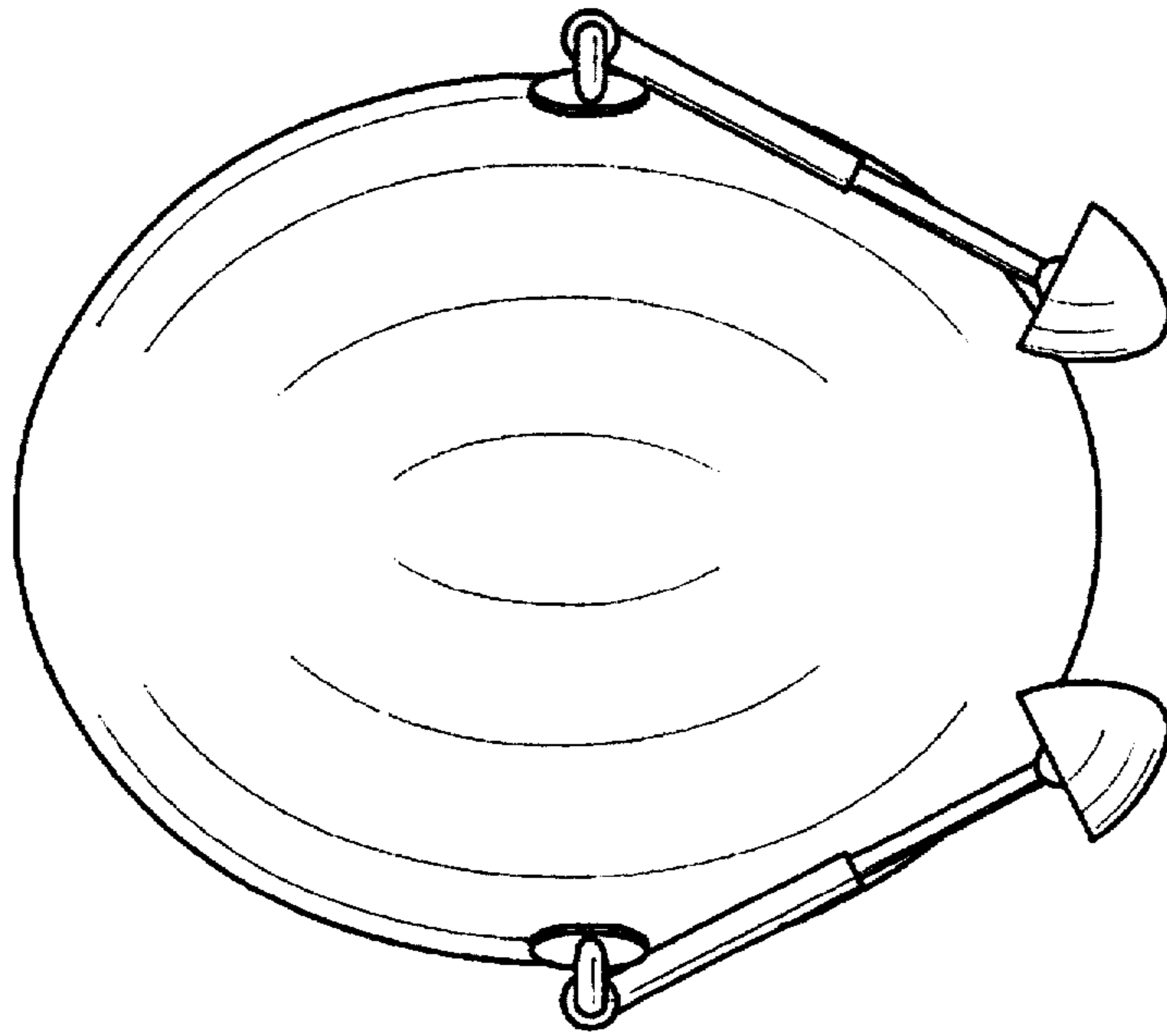


FIG. 1

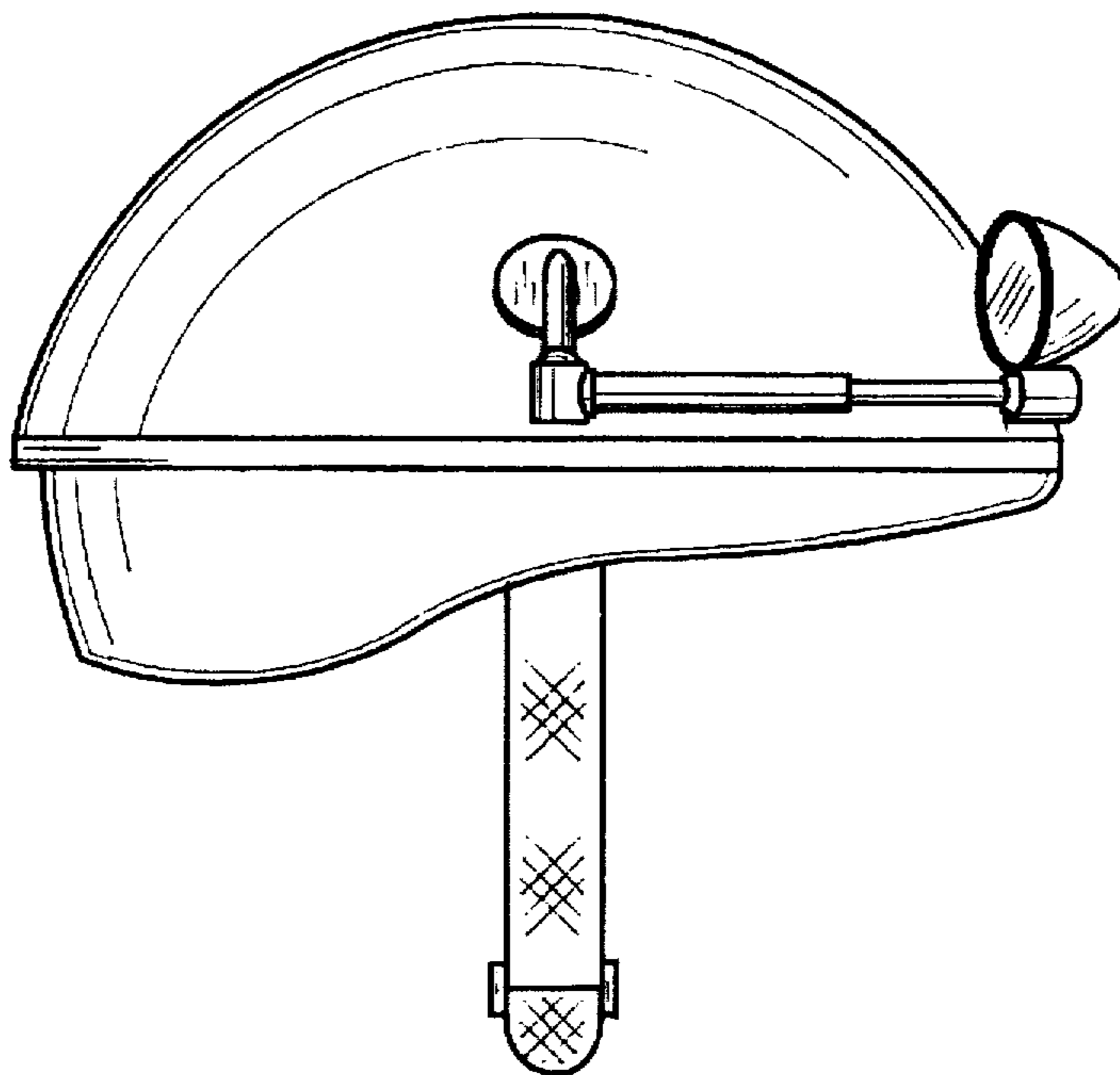
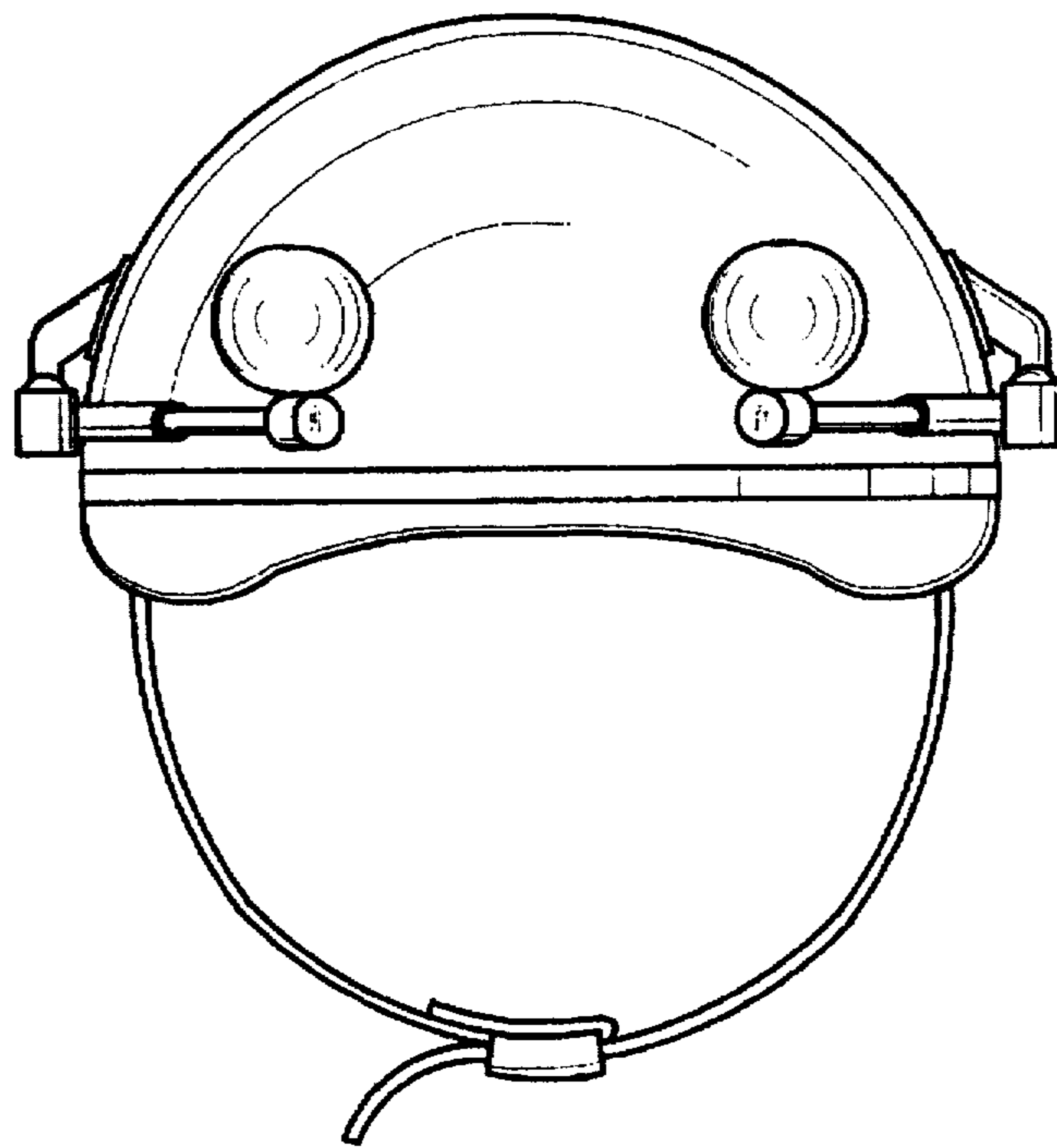
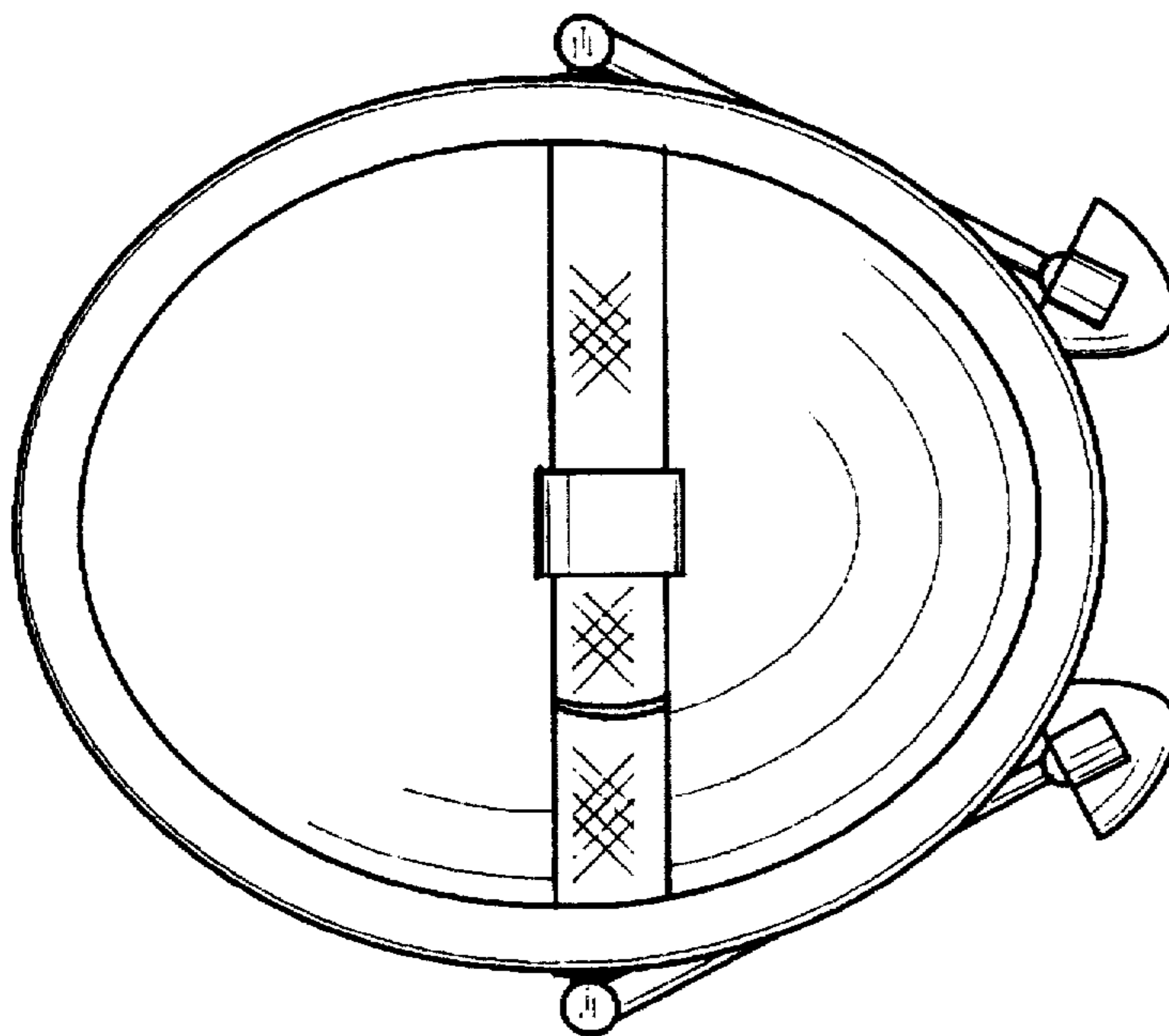


FIG. 2



**FIG. 3**



**FIG. 4**

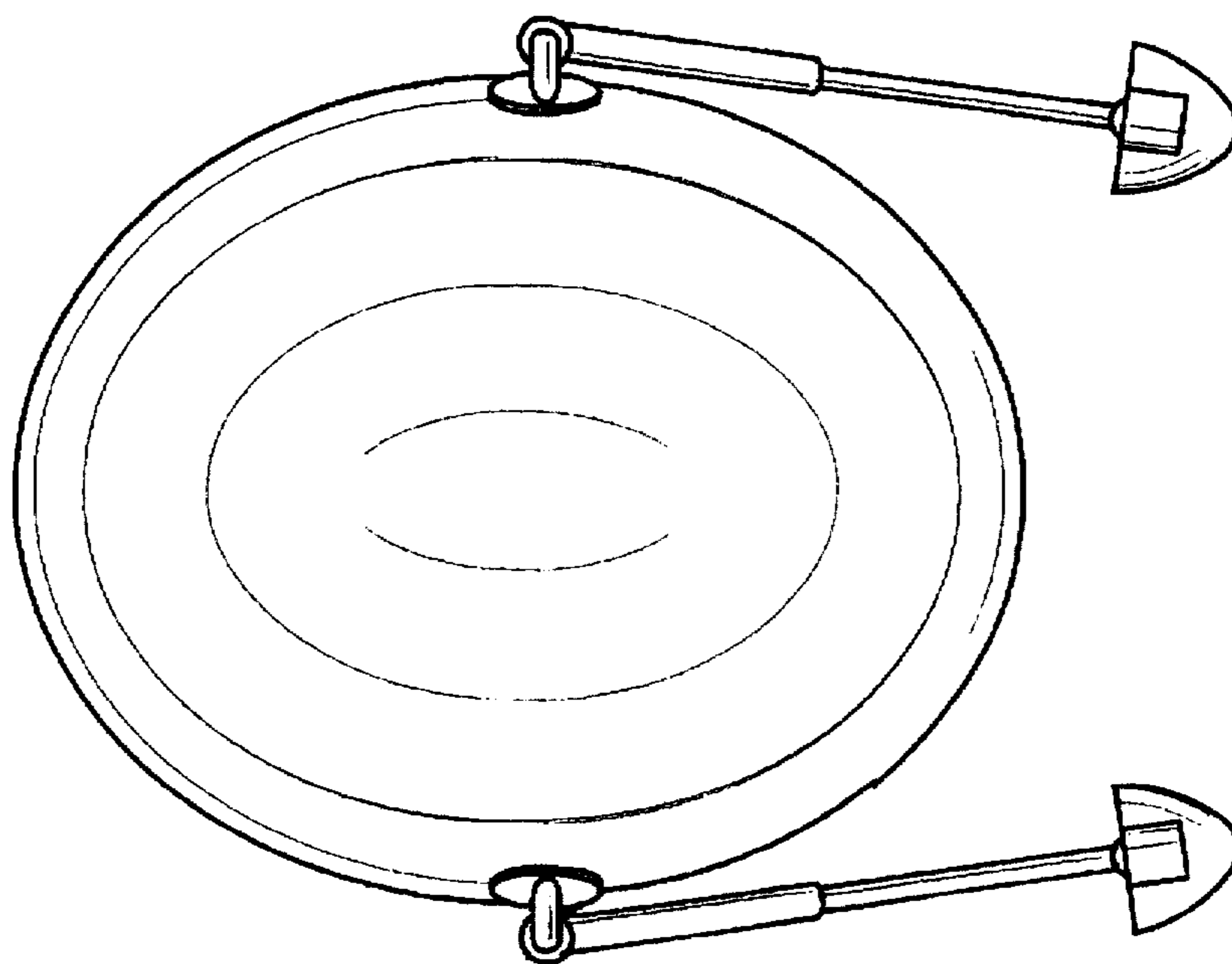


FIG. 5

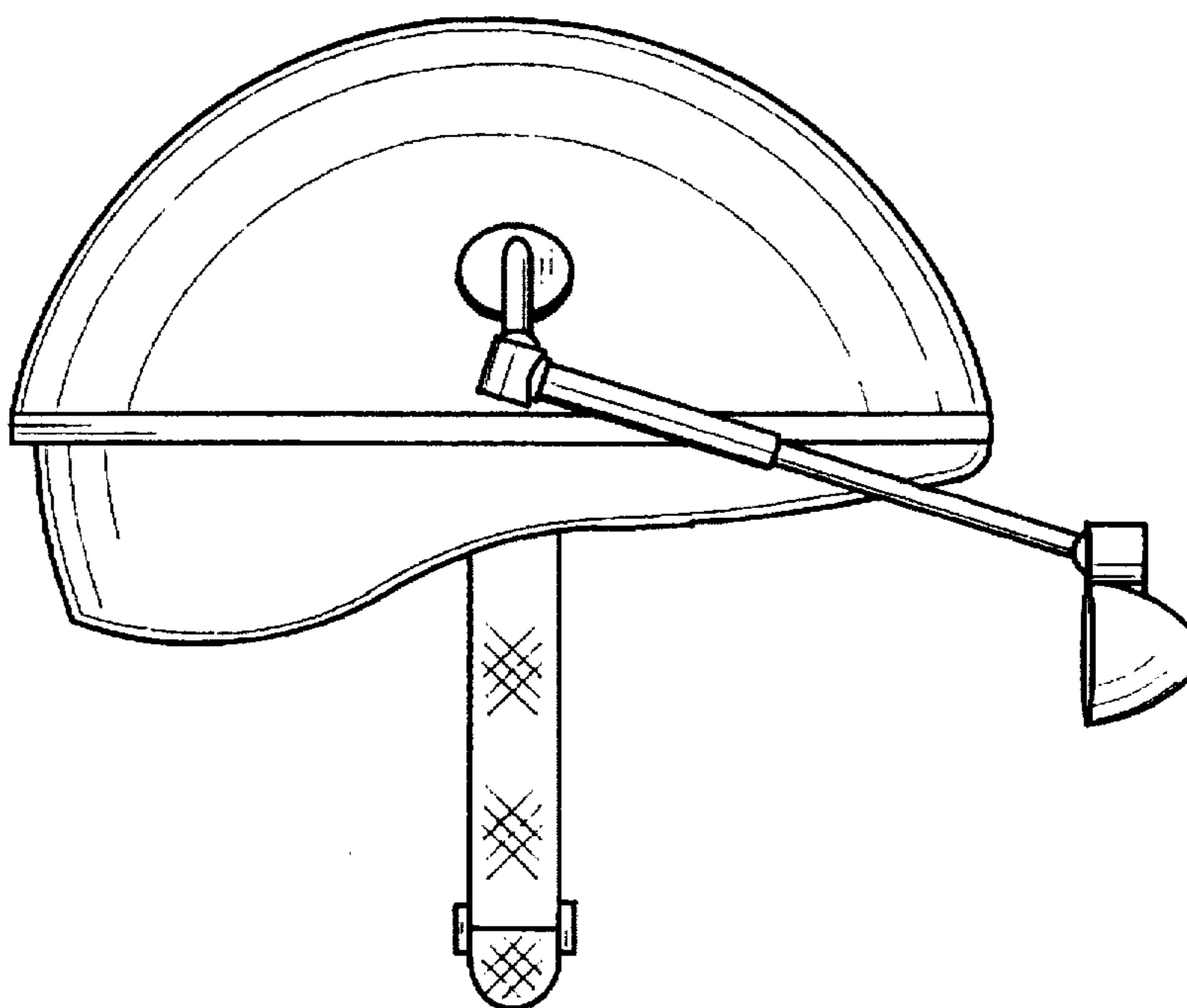


FIG. 6

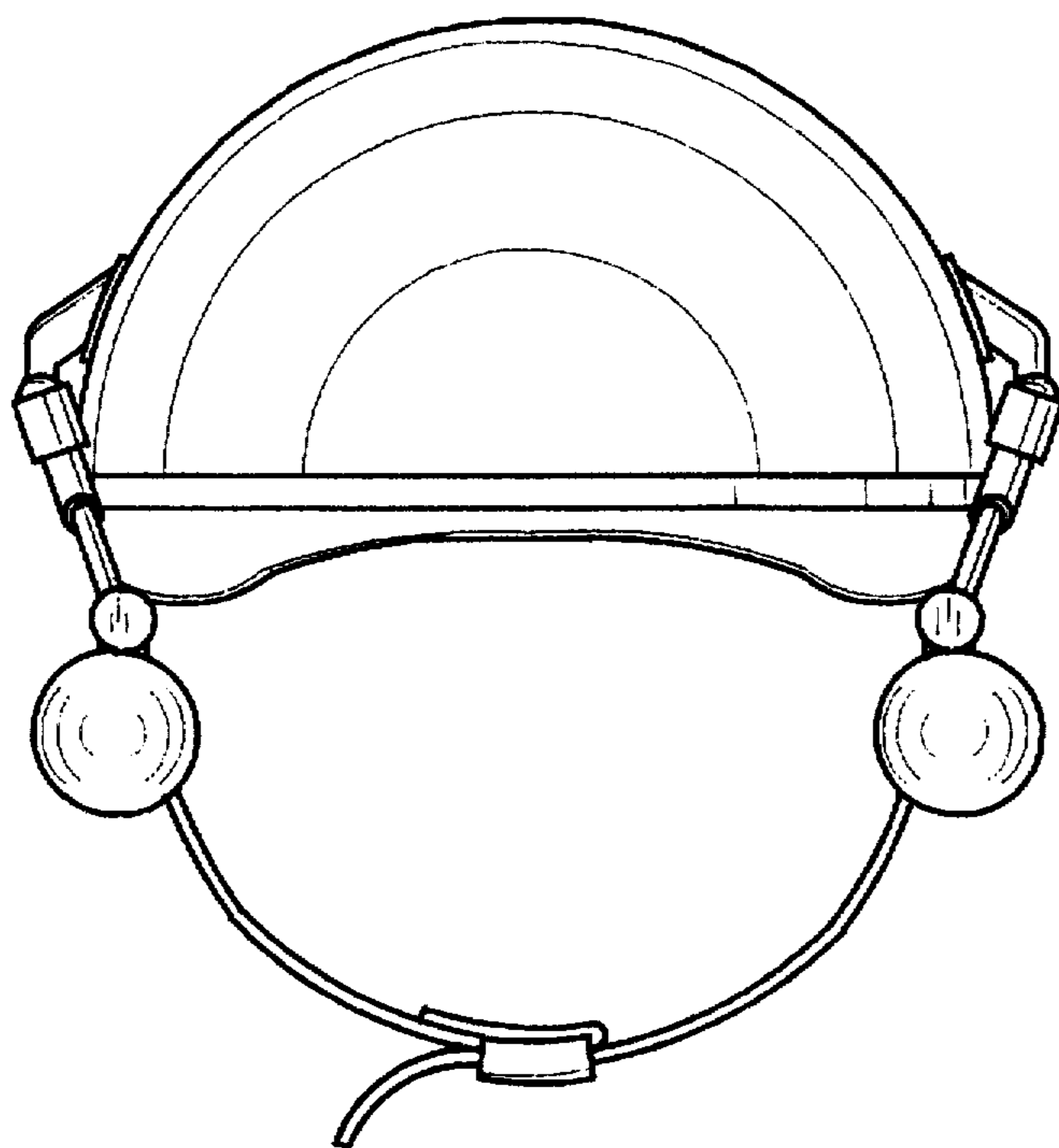


FIG. 7

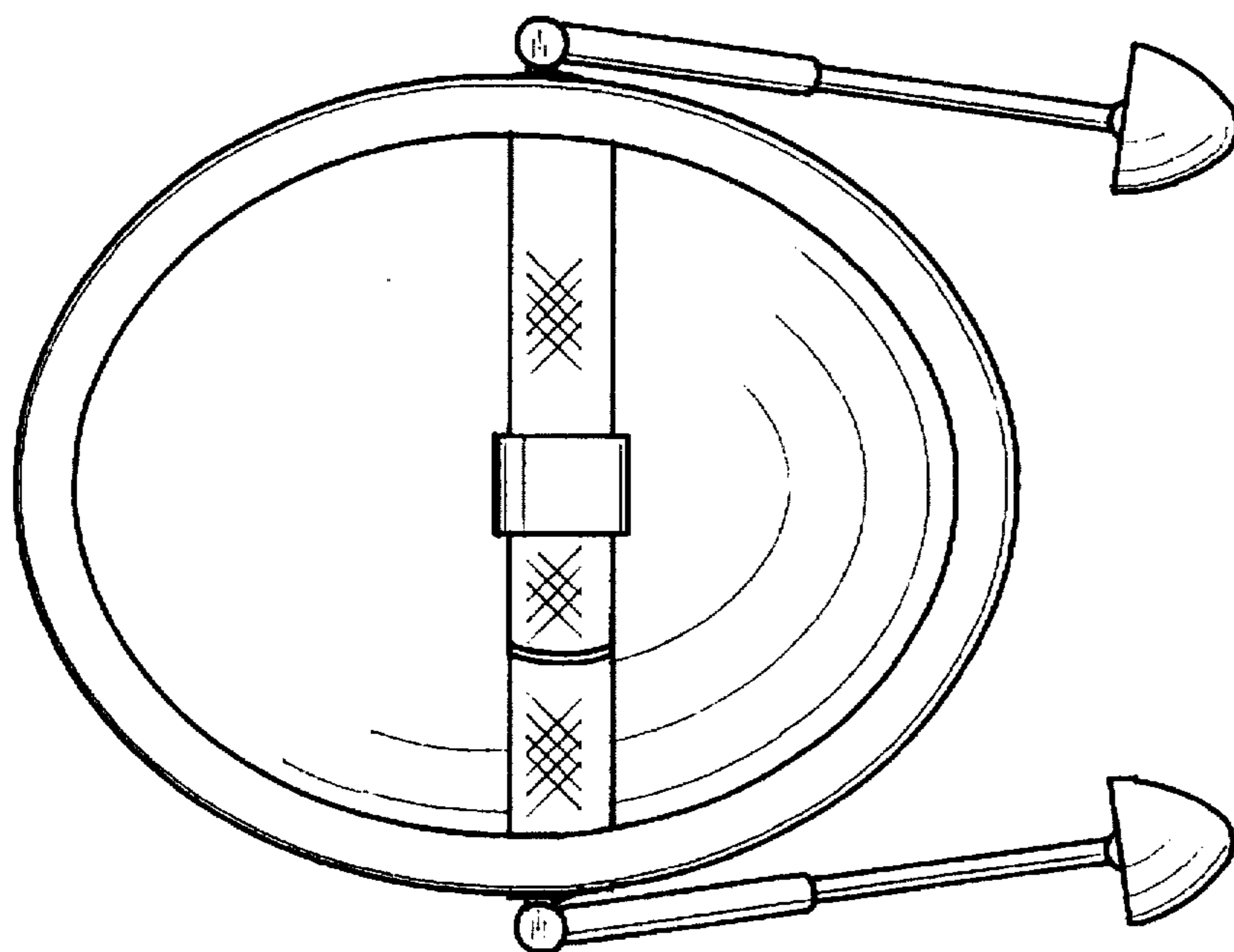


FIG. 8

UNITED STATES PATENT AND TRADEMARK OFFICE  
**CERTIFICATE OF CORRECTION**

PATENT NO. : Des. 389,605  
DATED : January 20, 1998  
INVENTOR(S) : Joseph J. Berke

It is certified that error appears in the above-identified patent and that said Letters Patent is hereby corrected as shown below:

On the title page:

In the claim and descriptions of FIG. 1 and FIG. 5,  
change "sportman's" to --sportsman's--

Following the figure descriptions, change  
"FIGS. 2, 5, 6 and 8" to --FIGS. 2, 4, 6 and 8--

Signed and Sealed this  
Twenty-eighth Day of April, 1998



*Attest:*

**BRUCE LEHMAN**

*Attesting Officer*

*Commissioner of Patents and Trademarks*