

US00D389604S

United States Patent [19]

[11] Patent Number: Des. 389,604

Liao

[45] Date of Patent: **Jan. 20, 1998

[54] **FLOSS WITH ARC HOLDER**

[76] Inventor: **Liang-Cheng Liao**, 4F, No. 1-3, Lane 112, Kinmen St., Pan-Ch'ao, Taipei, Taiwan

[**] Term: 14 Years

[21] Appl. No.: 49,876

[22] Filed: Feb. 2, 1996

[51] LOC (6) Cl. 28-03

[52] U.S. Cl. D28/64

[58] Field of Search D28/64; 132/321-327

[56] **References Cited**

U.S. PATENT DOCUMENTS

- D. 244,376 5/1977 Chodorow D28/64
- 4,729,392 3/1988 Tenny 132/323

FOREIGN PATENT DOCUMENTS

2007982 5/1979 United Kingdom 132/323

Primary Examiner—Kay H. Chin
Attorney, Agent, or Firm—W. Wayne Liauh

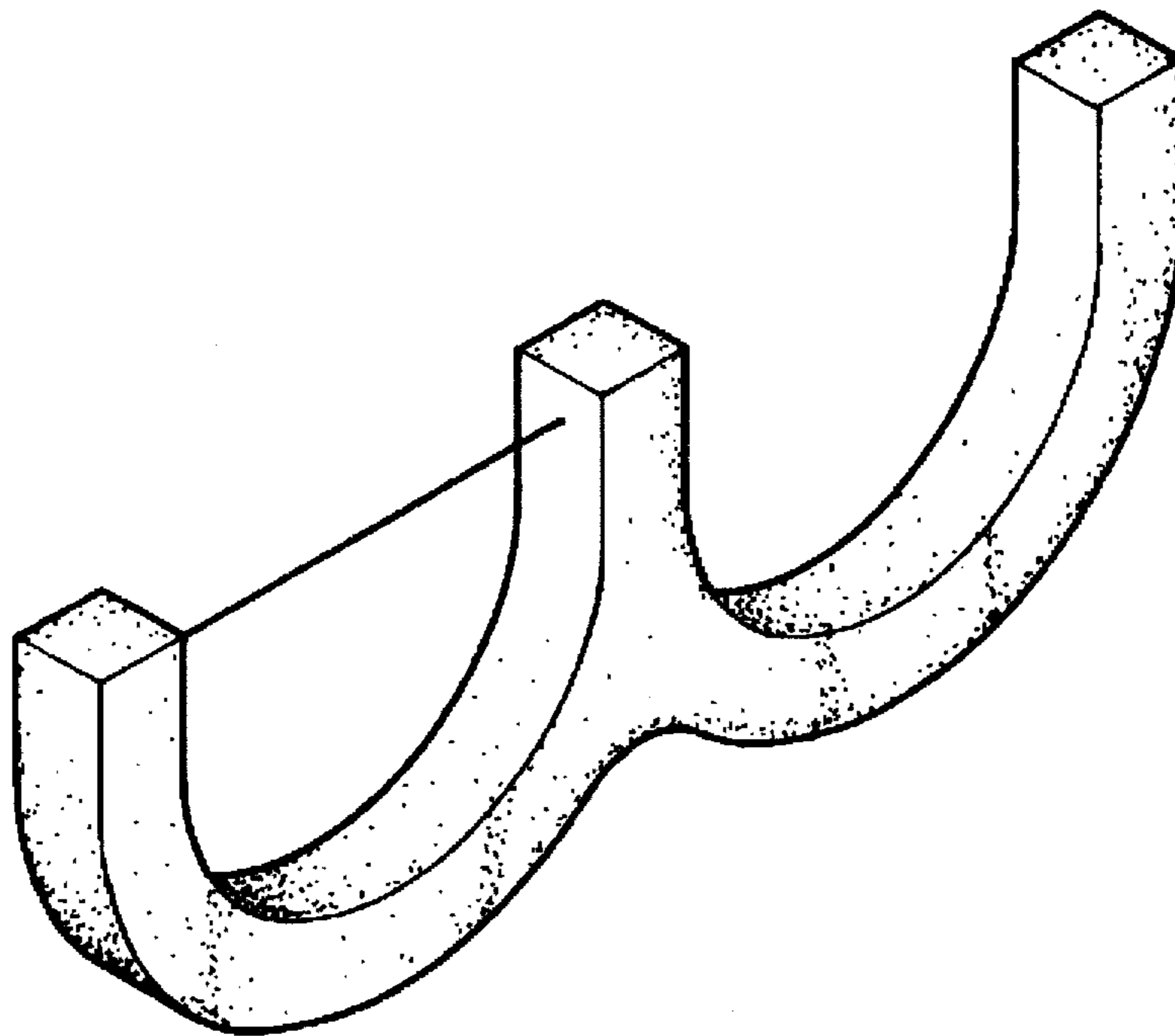
[57] **CLAIM**

The ornamental design for a floss with arc holder, as shown and described.

DESCRIPTION

FIG. 1 is a perspective view of floss with arc holder showing my design;
 FIG. 2 is a front elevational view thereof;
 FIG. 3 is a rear elevational view thereof;
 FIG. 4 is a left side elevational view thereof;
 FIG. 5 is a right side elevational view thereof;
 FIG. 6 is a top plan view thereof; and,
 FIG. 7 is a bottom plan view thereof.

1 Claim, 4 Drawing Sheets



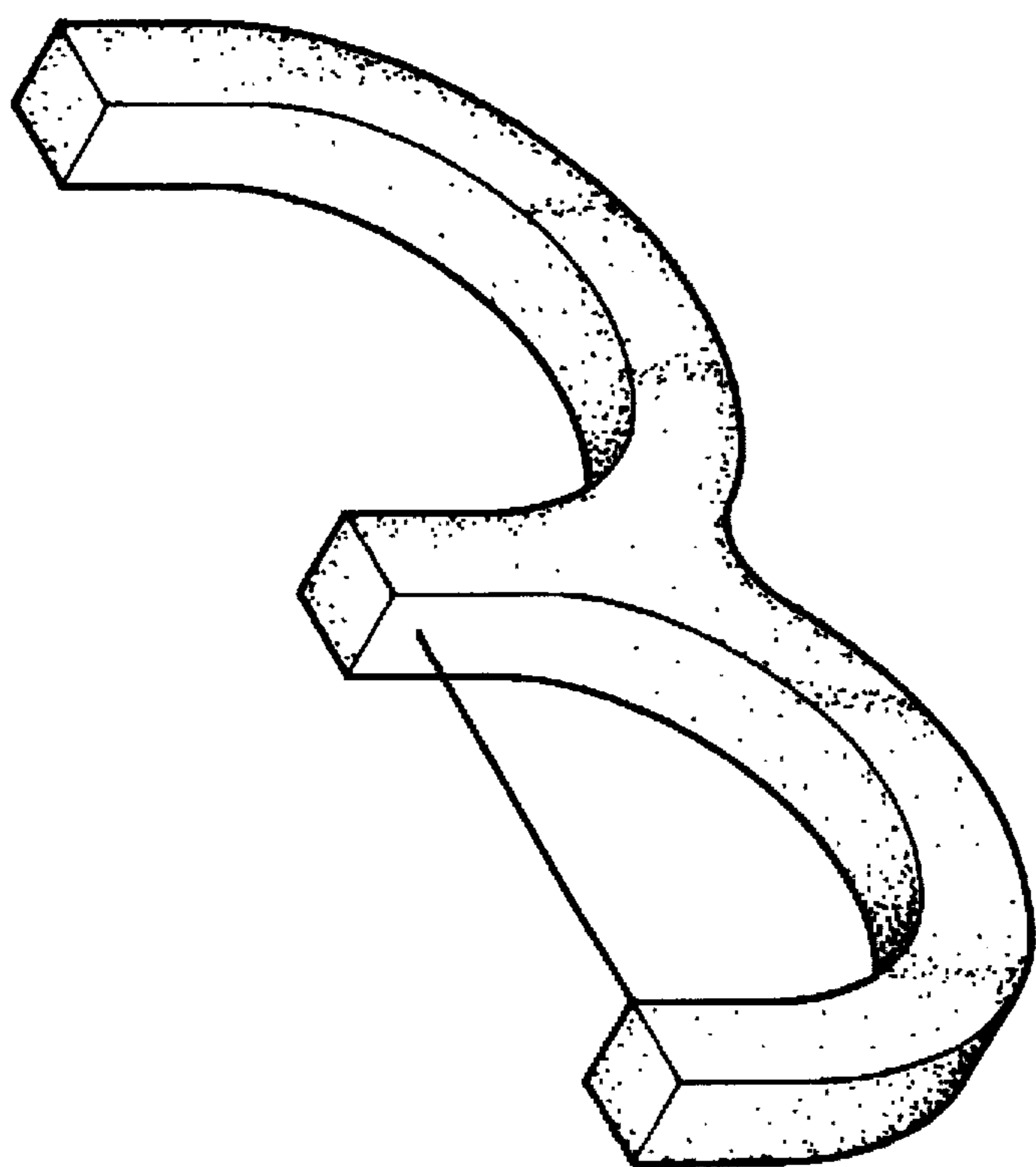


FIG. 1

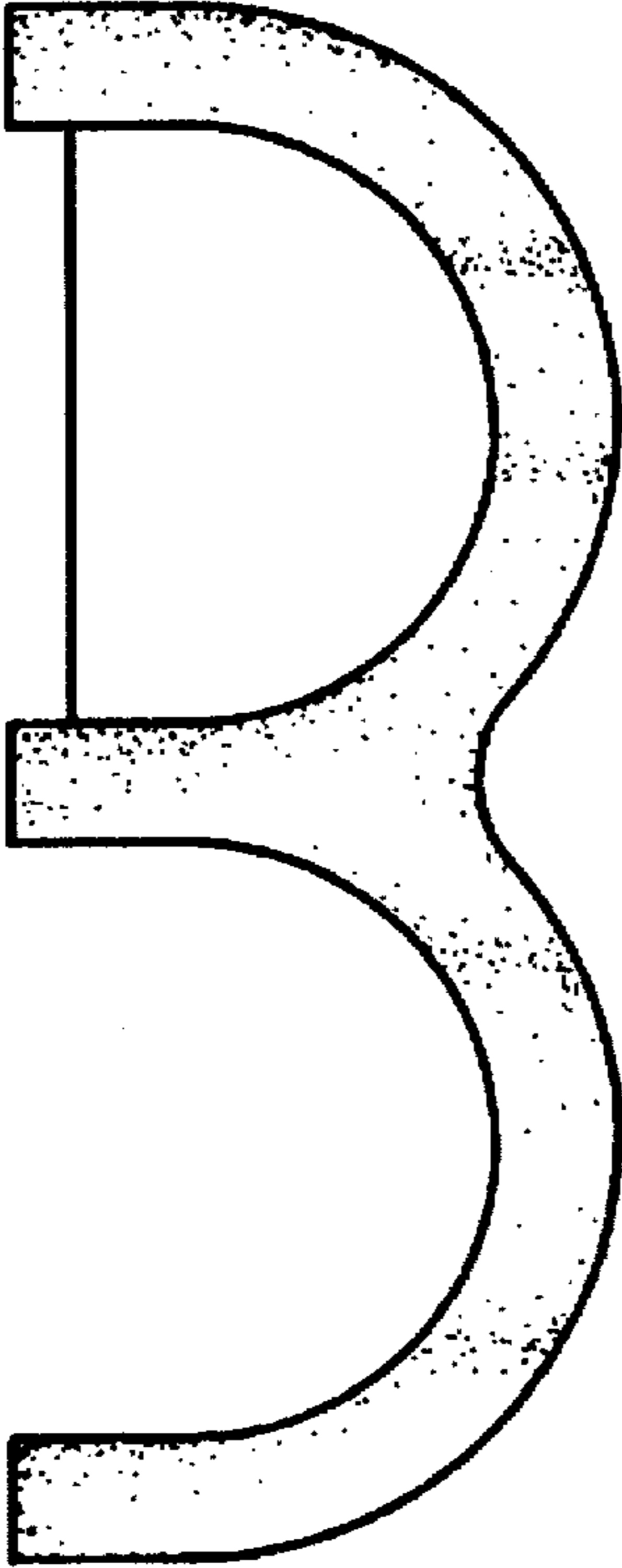


FIG. 3

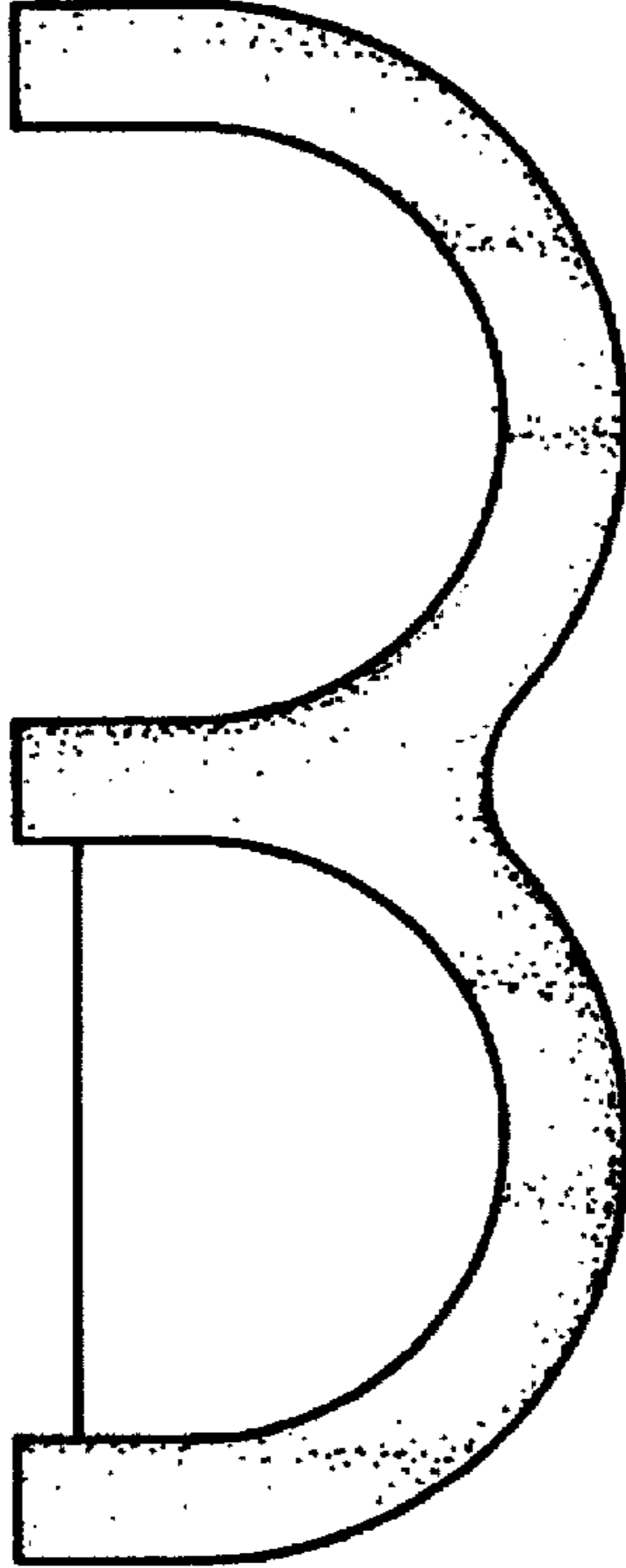


FIG. 2



FIG. 5



FIG. 4



FIG. 6



FIG. 7