



US00D389597S

United States Patent [19]
Gismondi

[11] **Patent Number:** **Des. 389,597**
[45] **Date of Patent:** ****Jan. 20, 1998**

[54] **RECESSED CEILING OR WALL LAMP**

[75] **Inventor:** **Ernesto Gismondi, Milan, Italy**

[73] **Assignee:** **Artemide S.p.A., Italy**

[**] **Term:** **14 Years**

[21] **Appl. No.:** **44,811**

[22] **Filed:** **Sep. 28, 1995**

[30] **Foreign Application Priority Data**

Jun. 7, 1995 [IT] Italy TO9500119

[51] **LOC (6) Cl.** **26-05**

[52] **U.S. Cl.** **D26/74**

[58] **Field of Search** D26/72, 74, 80-92;
362/147, 404-408, 364, 365, 366

[56] **References Cited**

U.S. PATENT DOCUMENTS

D. 115,971 8/1939 Stewart D26/74

D. 190,387 5/1961 Wince D26/89
D. 209,536 12/1967 McCain D26/74
2,602,135 7/1952 Nordquist D26/74 X
2,887,568 5/1959 Franck 362/147 X

Primary Examiner—Susan J. Lucas
Attorney, Agent, or Firm—Kane, Dalsimer, Sullivan,
Kurucz, Levy, Eisele and Richard, LLP

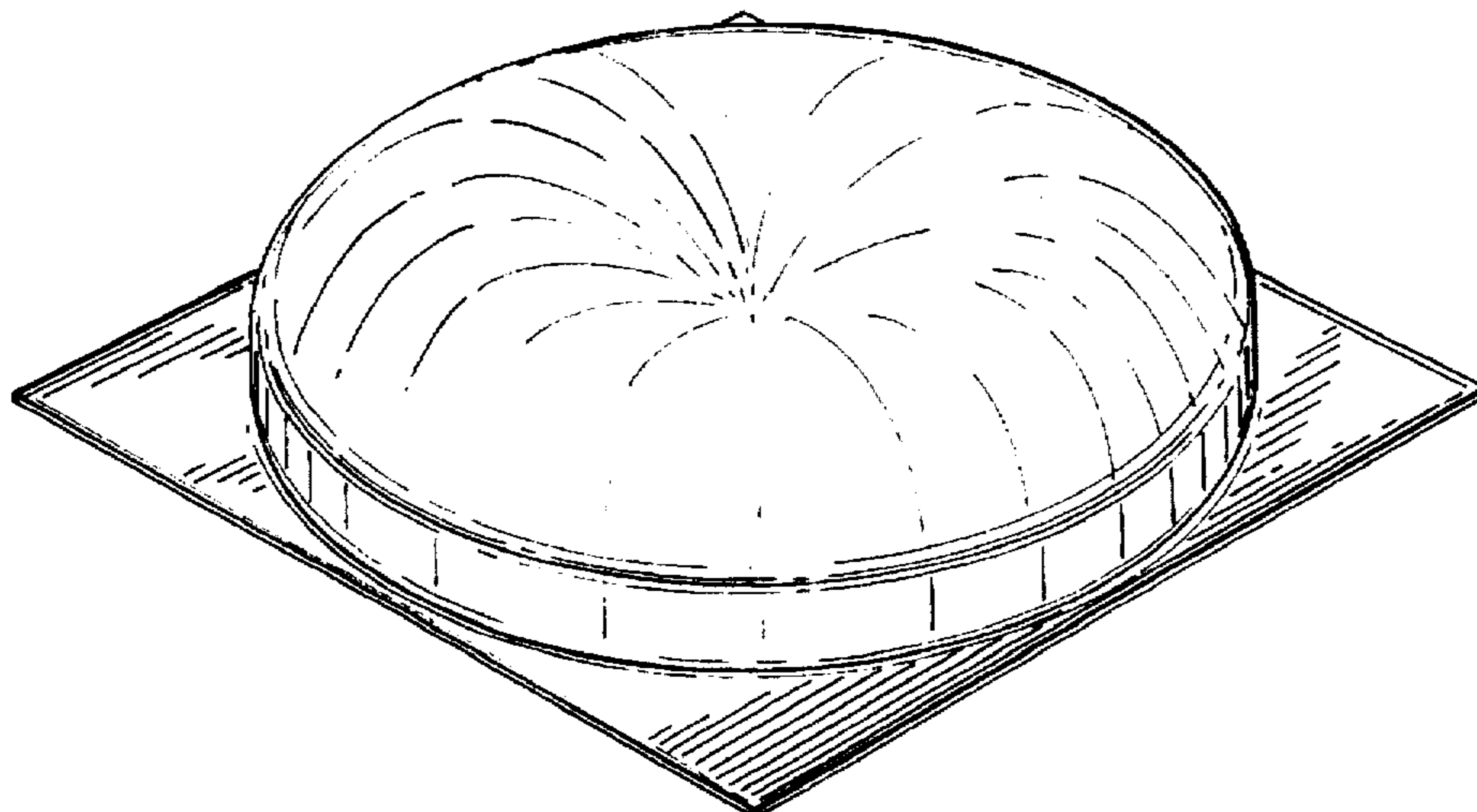
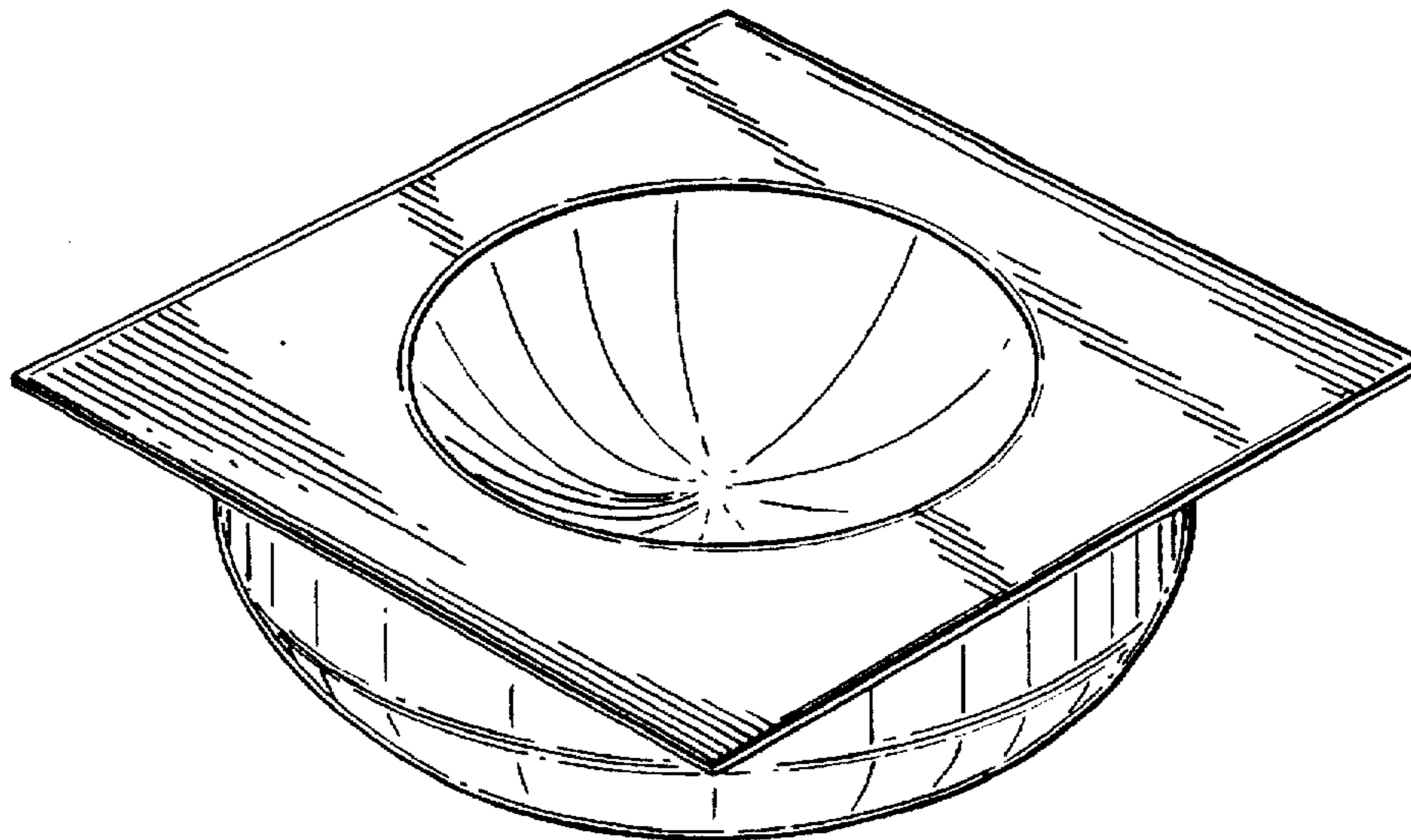
[57] **CLAIM**

The ornamental design for a recessed ceiling or wall lamp,
as shown.

DESCRIPTION

FIG. 1 is a front view of my new design relating to a recessed
ceiling or wall lamp;
FIG. 2 is a rear view thereof;
FIG. 3 is a left side view thereof;
FIG. 4 is a front view in perspective thereof; and,
FIG. 5 is a rear view in perspective thereof.

1 Claim, 2 Drawing Sheets



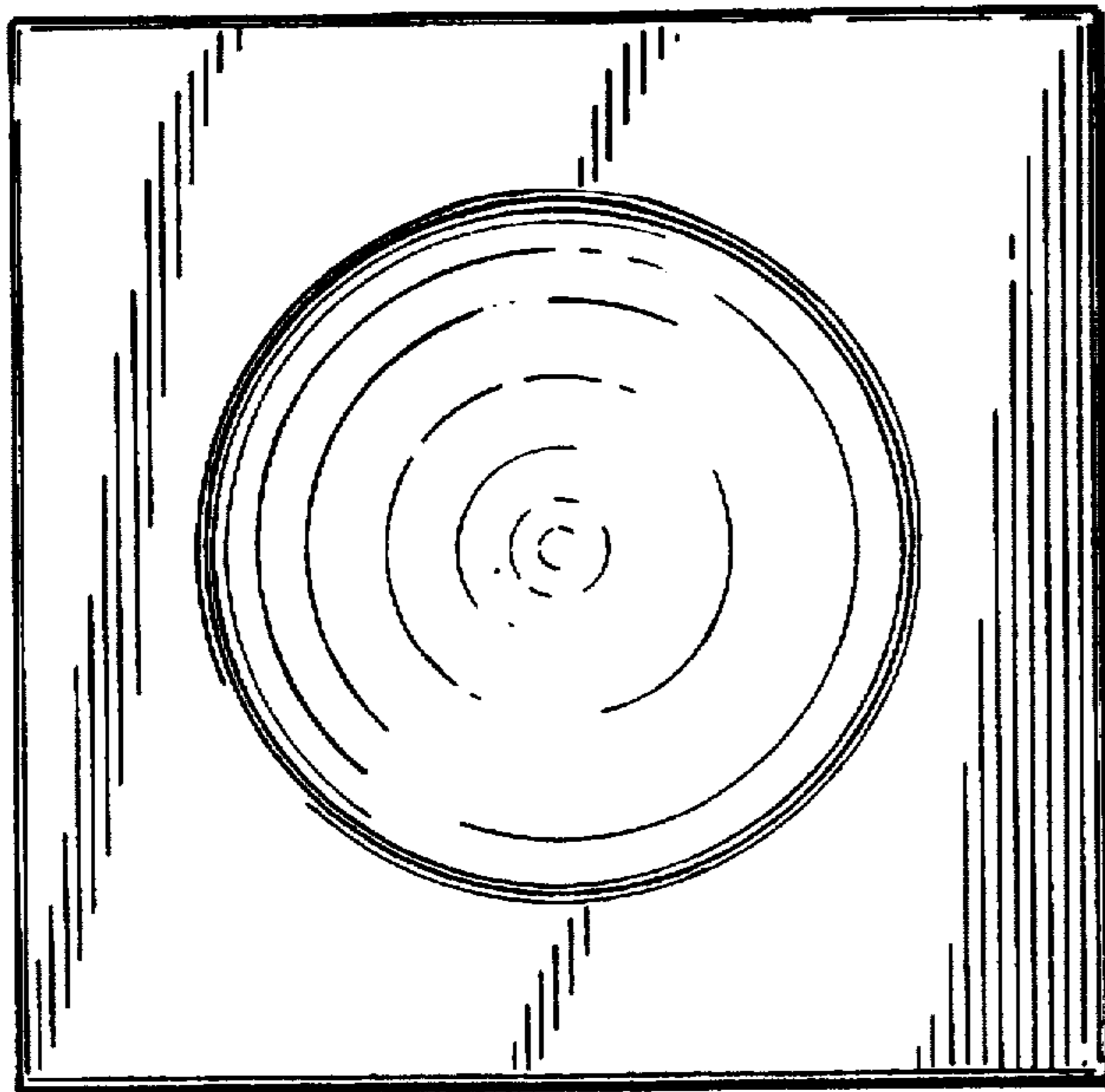


Fig. 1

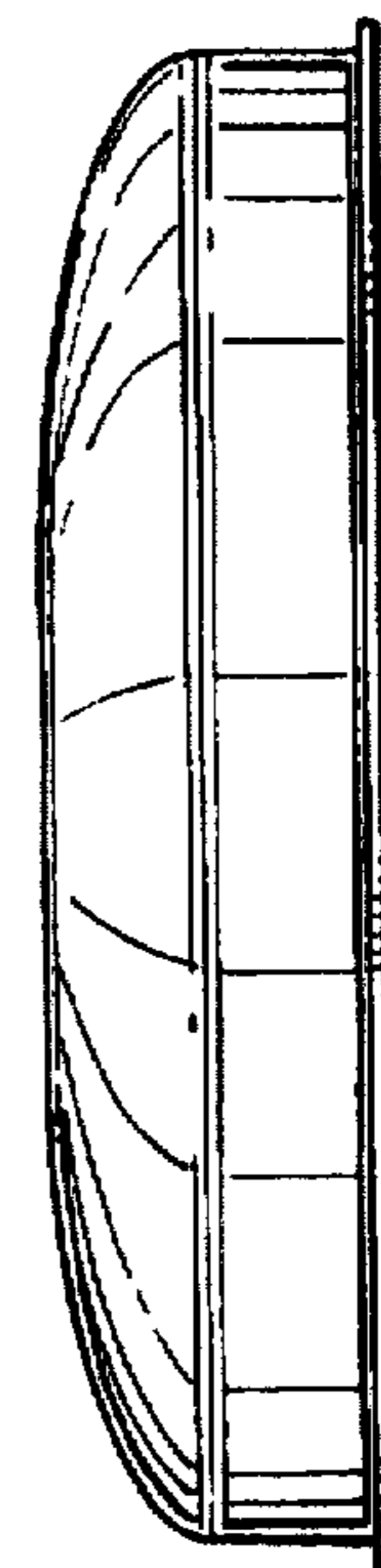


Fig. 3

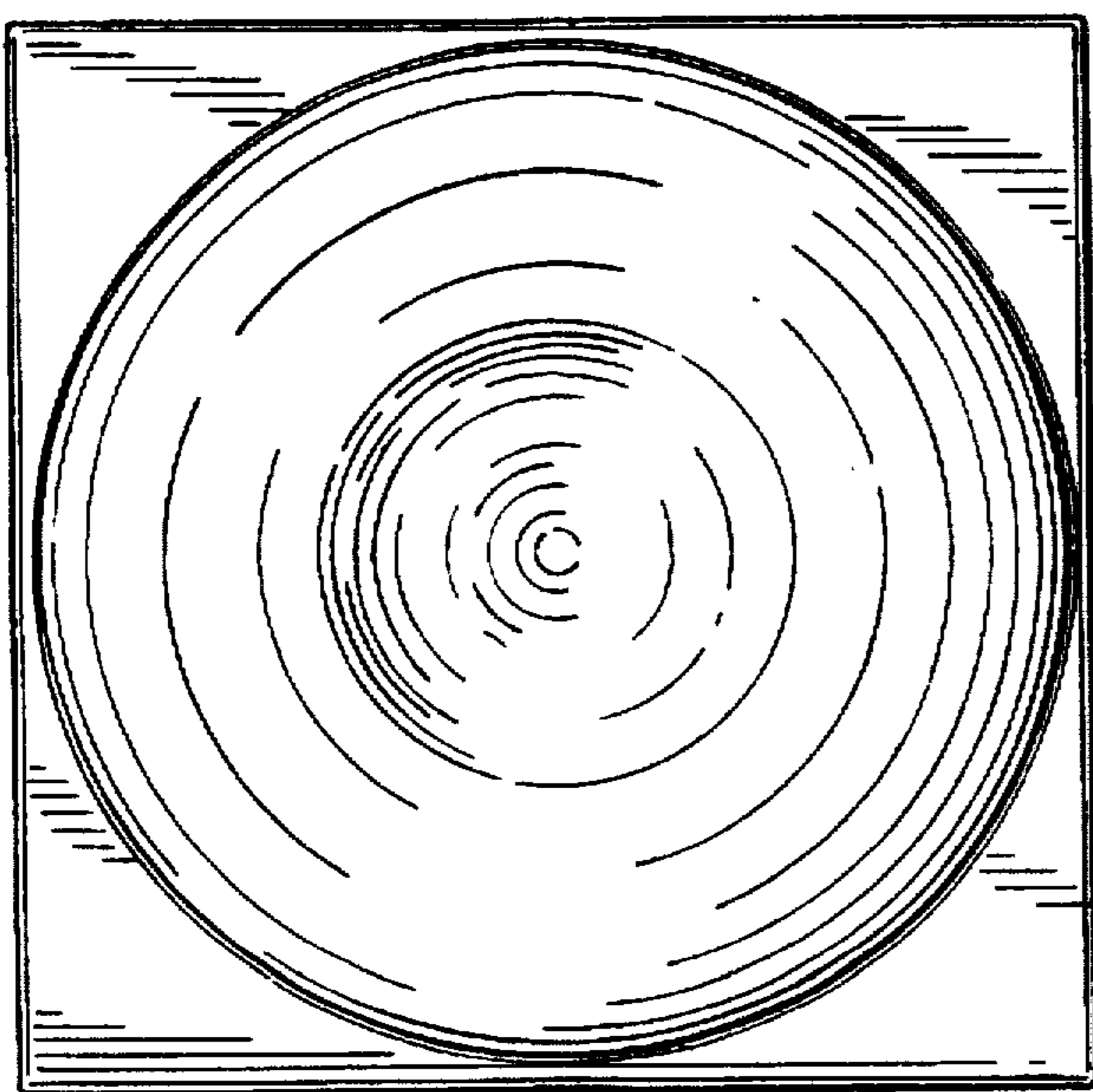


Fig. 2

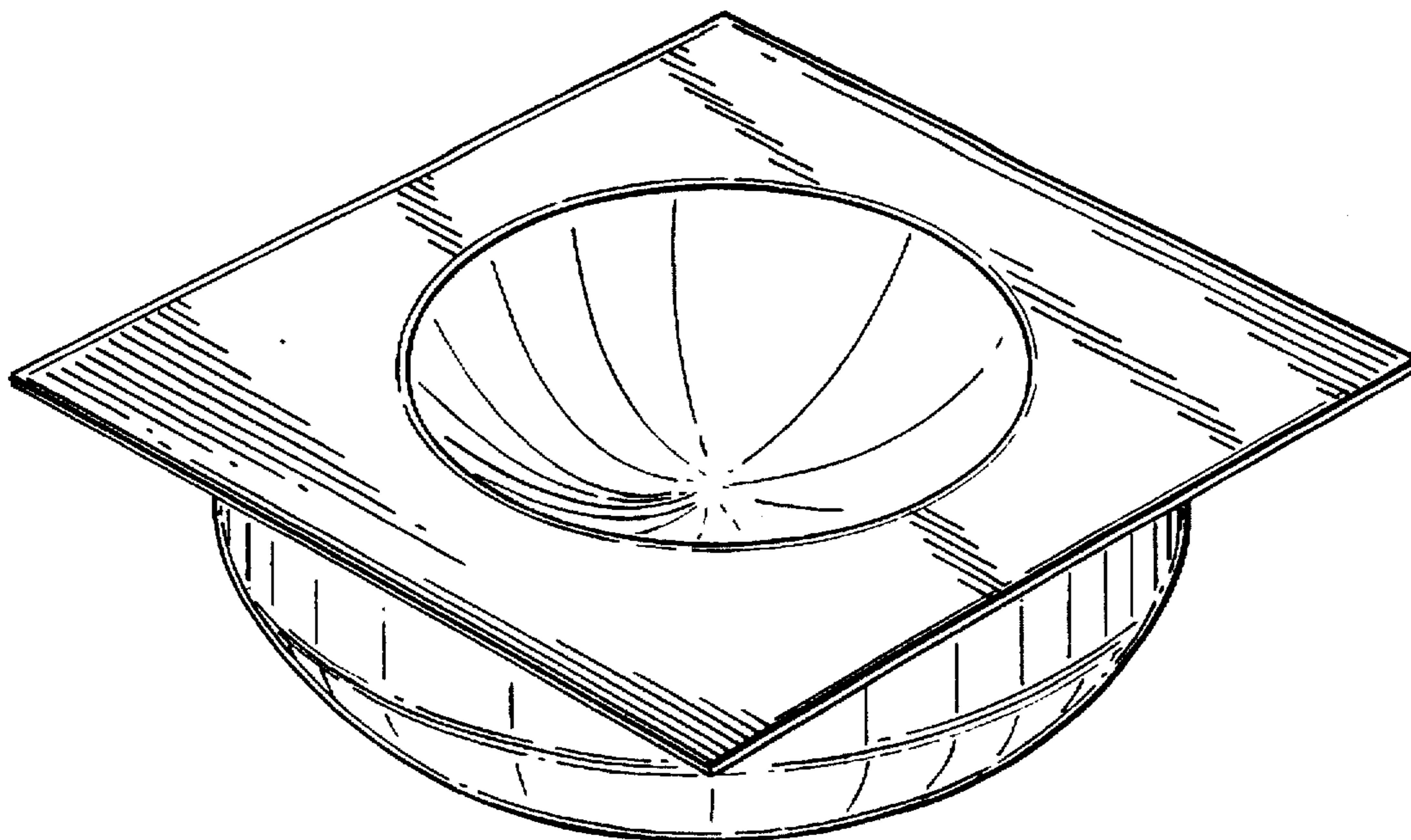


Fig. 4

Fig. 5

