



US00D389593S

# United States Patent [19]

[11] Patent Number: **Des. 389,593**

**Shiao**

[45] Date of Patent: **\*\*Jan. 20, 1998**

[54] **COMBINED TOOL KIT AND HANDHELD LAMP**

D. 295,561 5/1988 Hsiao ..... D26/48  
D. 376,908 12/1996 Hsu ..... D26/38

[76] Inventor: **Hsuan-Sen Shiao**, No. 15-1, Lane 369, Min-Chuan Rd., Taichung City, Taiwan

*Primary Examiner*—Marcus A. Jackson  
*Attorney, Agent, or Firm*—Banner & Witcoff, Ltd.

[\*\*] Term: **14 Years**

[57] **CLAIM**

[21] Appl. No.: **68,857**

The ornamental design for a combined tool kit and handheld lamp, as shown and described.

[22] Filed: **Apr. 2, 1997**

**DESCRIPTION**

[51] LOC (6) Cl. .... **26-02**

[52] U.S. Cl. .... **D26/38; D3/274**

[58] Field of Search ..... D3/274, 276, 282, D3/905; D26/37-50; 362/157, 158, 184, 185, 191-208

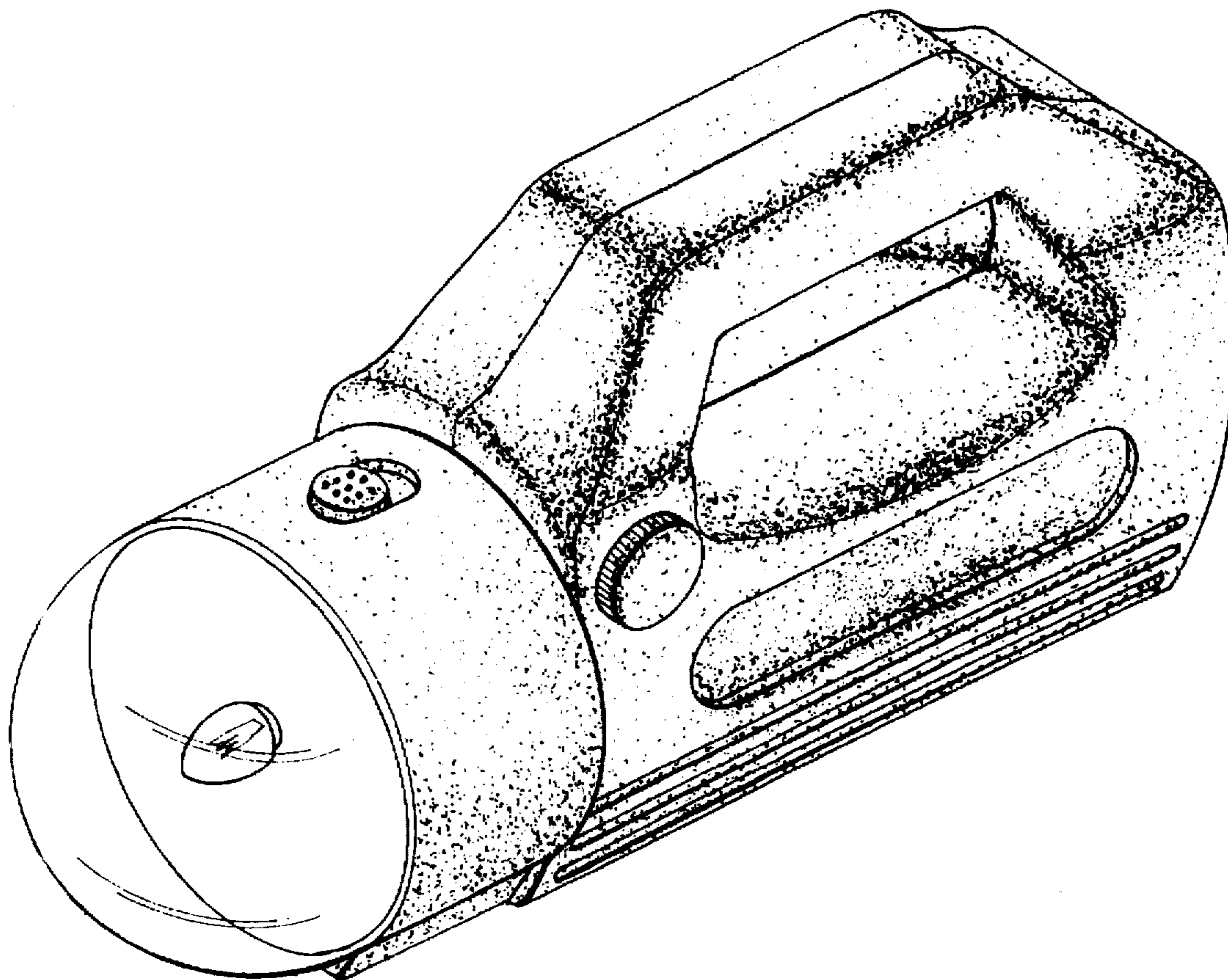
FIG. 1 is a perspective view of a combined tool kit and handheld lamp showing my new design; FIG. 2 is a front elevational view thereof; FIG. 3 is a rear elevational view thereof; FIG. 4 is a left side elevational view thereof; FIG. 5 is a right side elevational view thereof; FIG. 6 is a top plan view thereof; FIG. 7 is a bottom plan view thereof; and, FIG. 8 is an exploded perspective view thereof, with the kit portion shown in an open condition.

[56] **References Cited**

**U.S. PATENT DOCUMENTS**

D. 199,540 11/1964 Rhoades ..... D26/48  
D. 272,654 2/1984 Ho ..... D26/48  
D. 289,440 4/1987 Yajima et al. .... D26/48

**1 Claim, 5 Drawing Sheets**



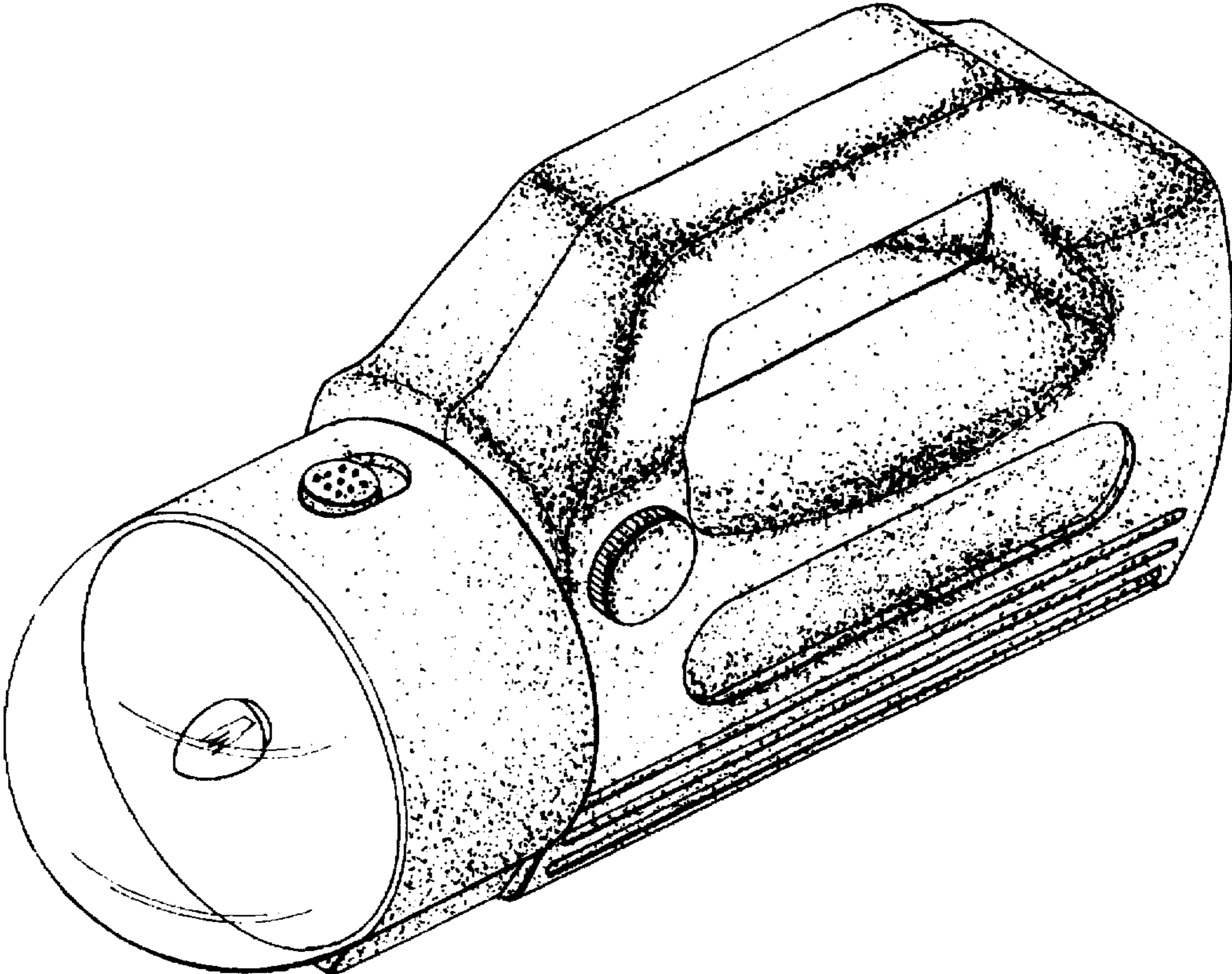


FIG. 1

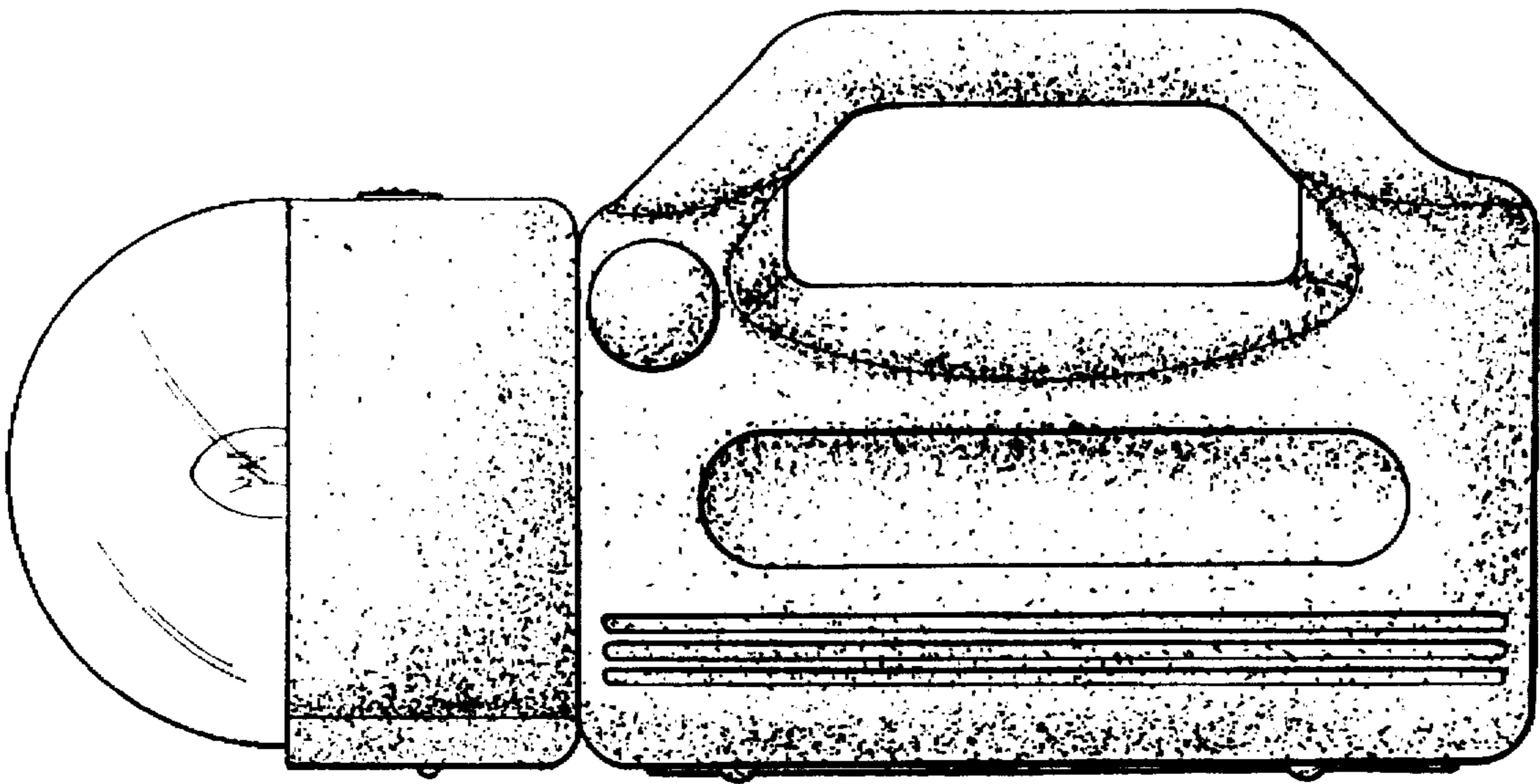


FIG. 2

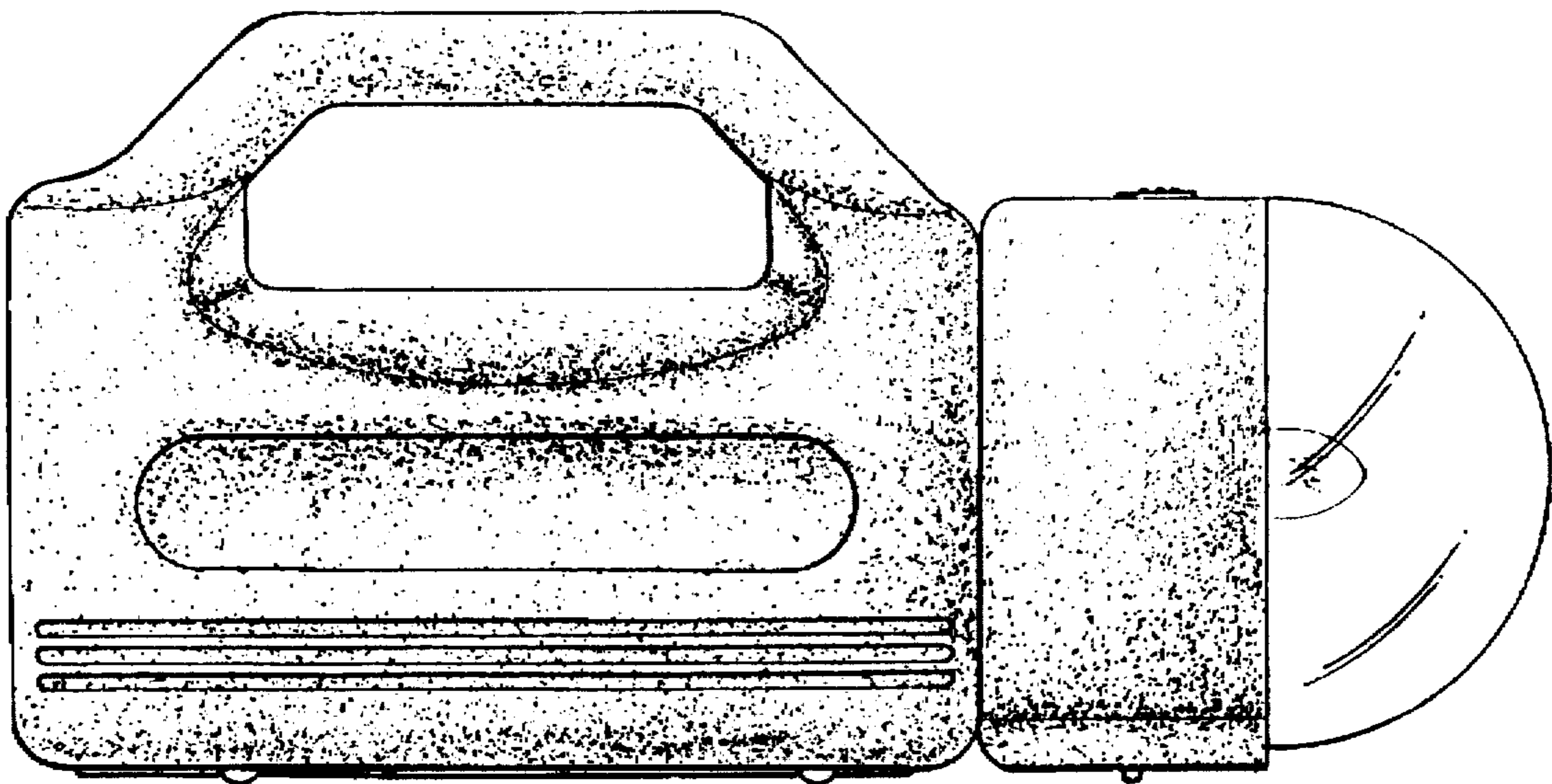


FIG. 3

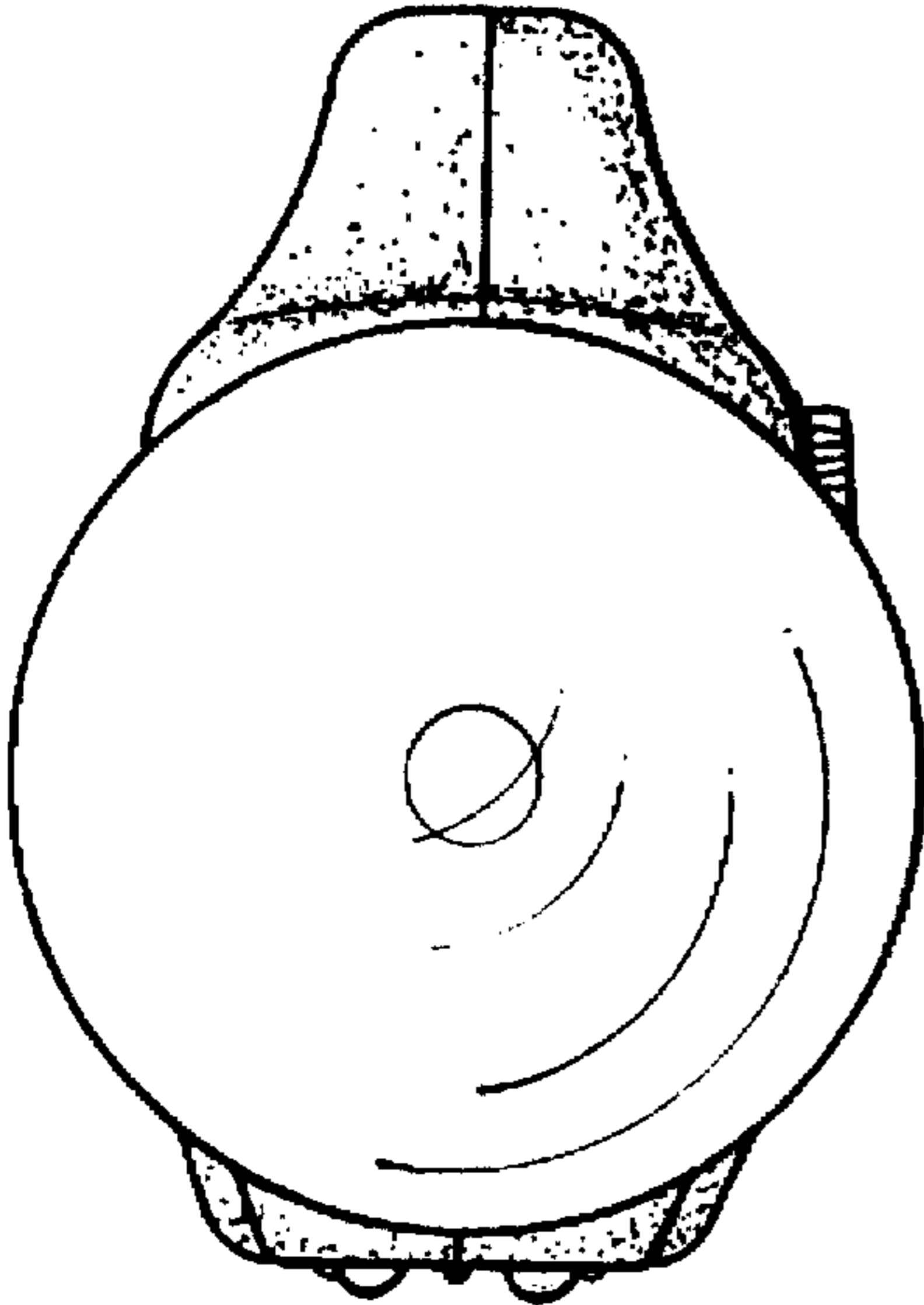


FIG. 4

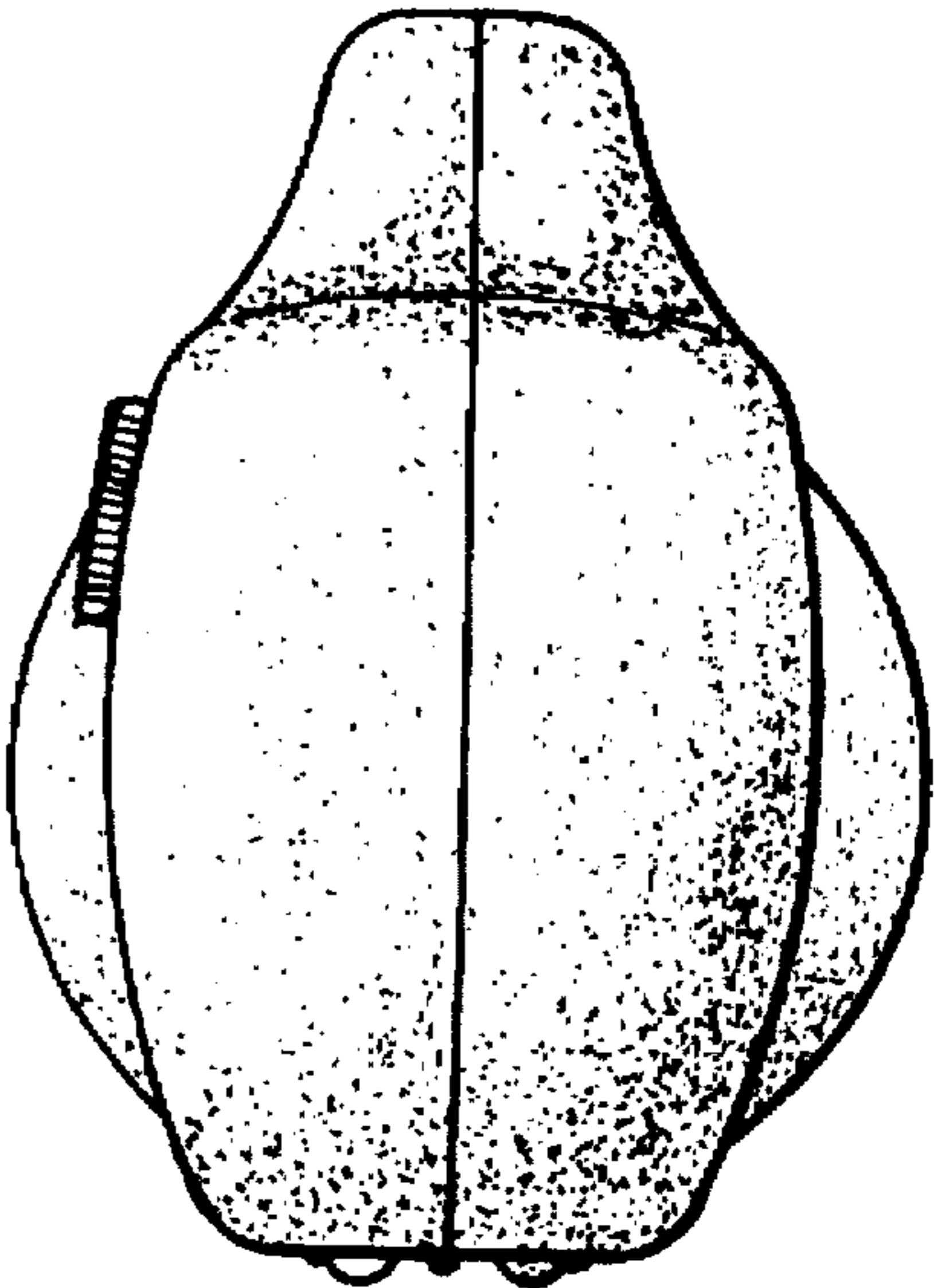


FIG. 5

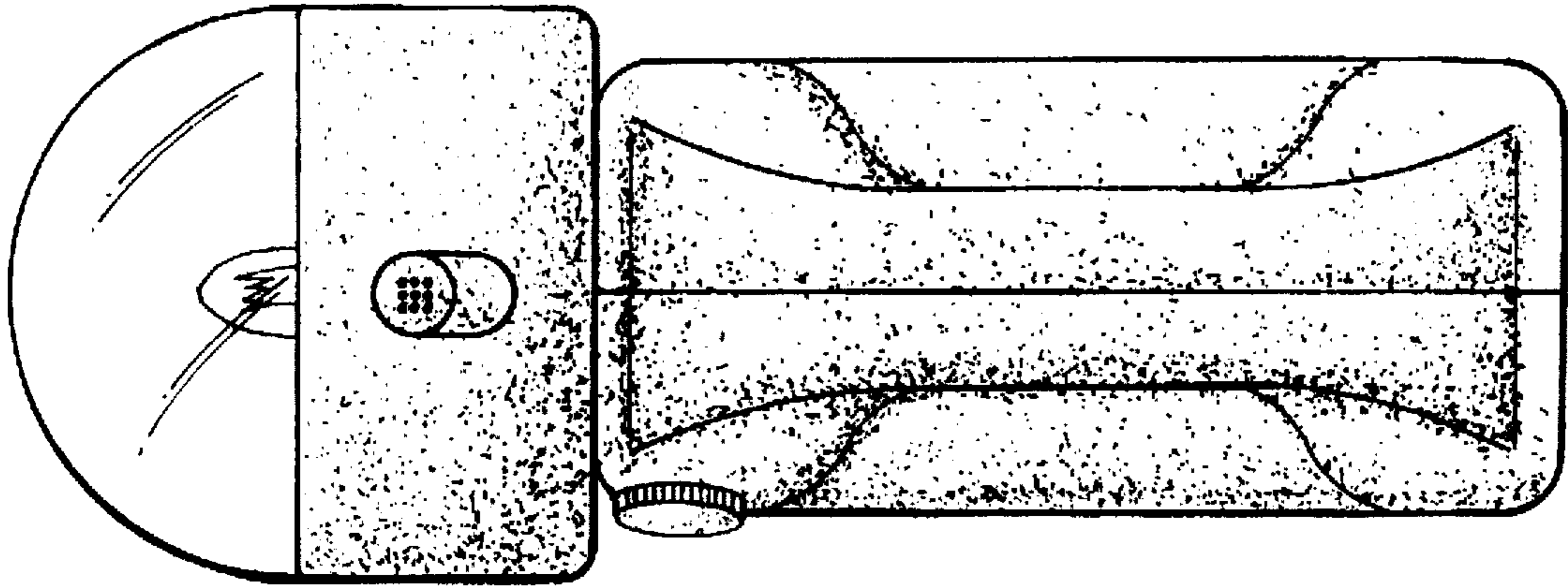


FIG. 6

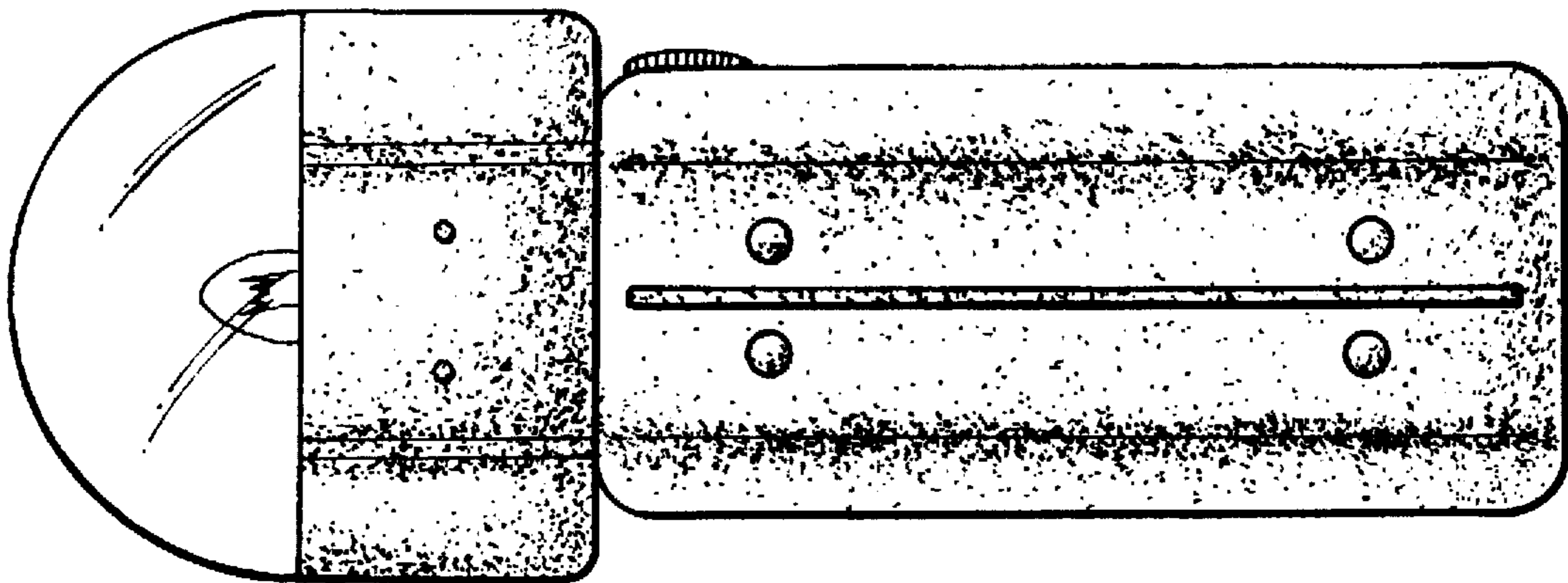


FIG. 7

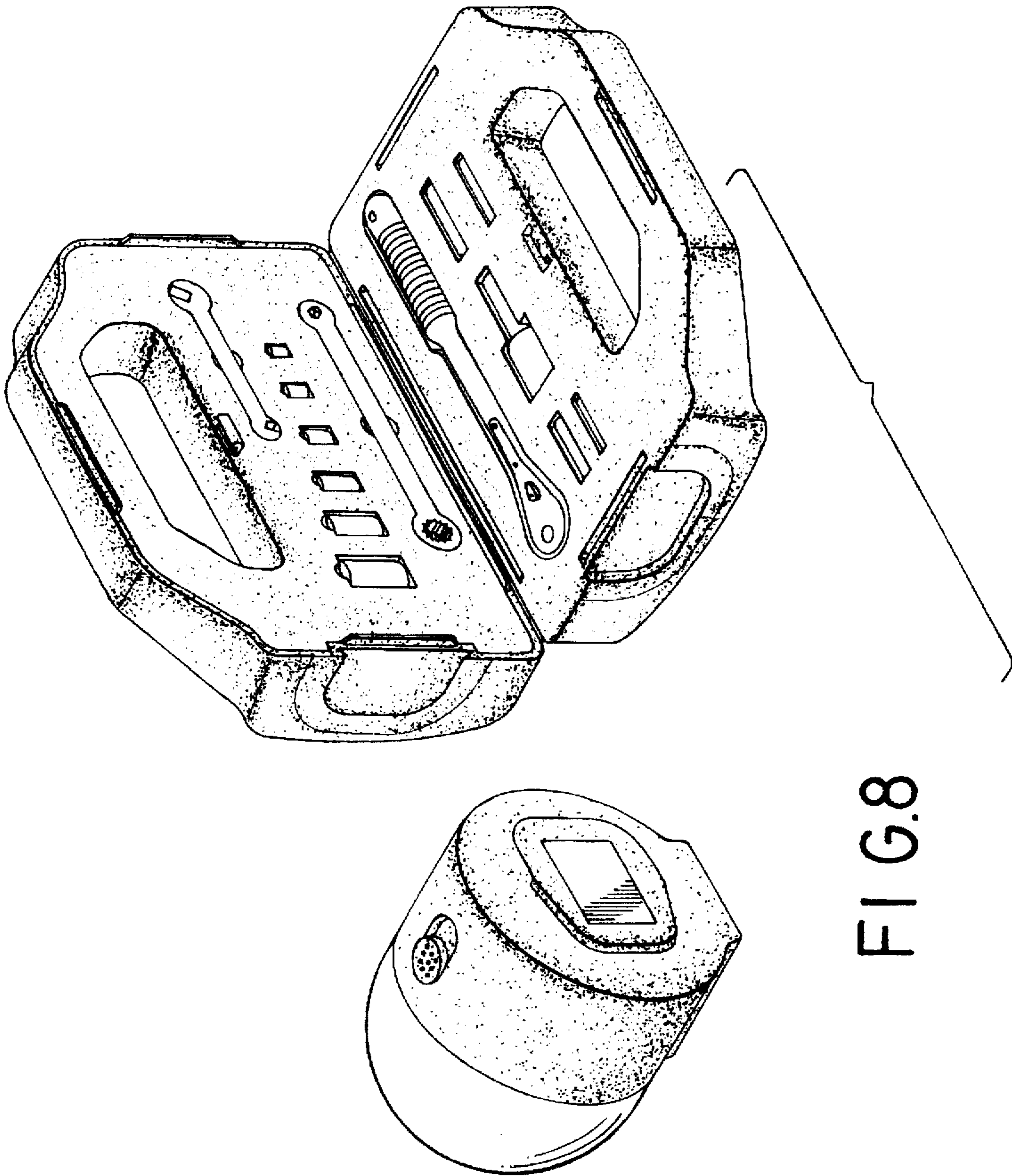


FIG. 8