



US00D389592S

United States Patent [19]

[11] Patent Number: **Des. 389,592**

Reiser

[45] Date of Patent: ****Jan. 20, 1998**

[54] **LIGHT ASSEMBLY**

[75] Inventor: **John N. Reiser, Allenton, Wis.**

[73] Assignee: **Triton Corporation, Allenton, Wis.**

[**] Term: **14 Years**

[21] Appl. No.: **62,976**

[22] Filed: **Mar. 29, 1996**

[51] LOC (6) Cl. **26-06**

[52] U.S. Cl. **D26/36; D26/85; D26/87**

[58] Field of Search **D26/72, 80-92, D26/28, 36; 362/147, 404-408, 432, 61, 66, 73, 83, 83.3, 86**

[56] **References Cited**

U.S. PATENT DOCUMENTS

D. 253,495	11/1979	Bodine	D26/36
D. 337,846	7/1993	Fiorato	D26/85
D. 346,874	5/1994	Fiorato	D26/87
3,902,057	8/1975	La Violette	362/83.3
4,644,449	2/1987	Smith-Williams	362/80

OTHER PUBLICATIONS

Home Lighting and Accessories, p. 43, Lightolier MR-16 elbow recessed fixture, Jan. 1994.

Primary Examiner—Susan J. Lucas

Attorney, Agent, or Firm—Andrus, Scales, Starke & Sawall

[57] **CLAIM**

The ornamental design for a light assembly, as shown and described.

DESCRIPTION

FIG. 1 is an isometric view of the light assembly of the present invention;

FIG. 2 is a top plan view of the light assembly of FIG. 1;

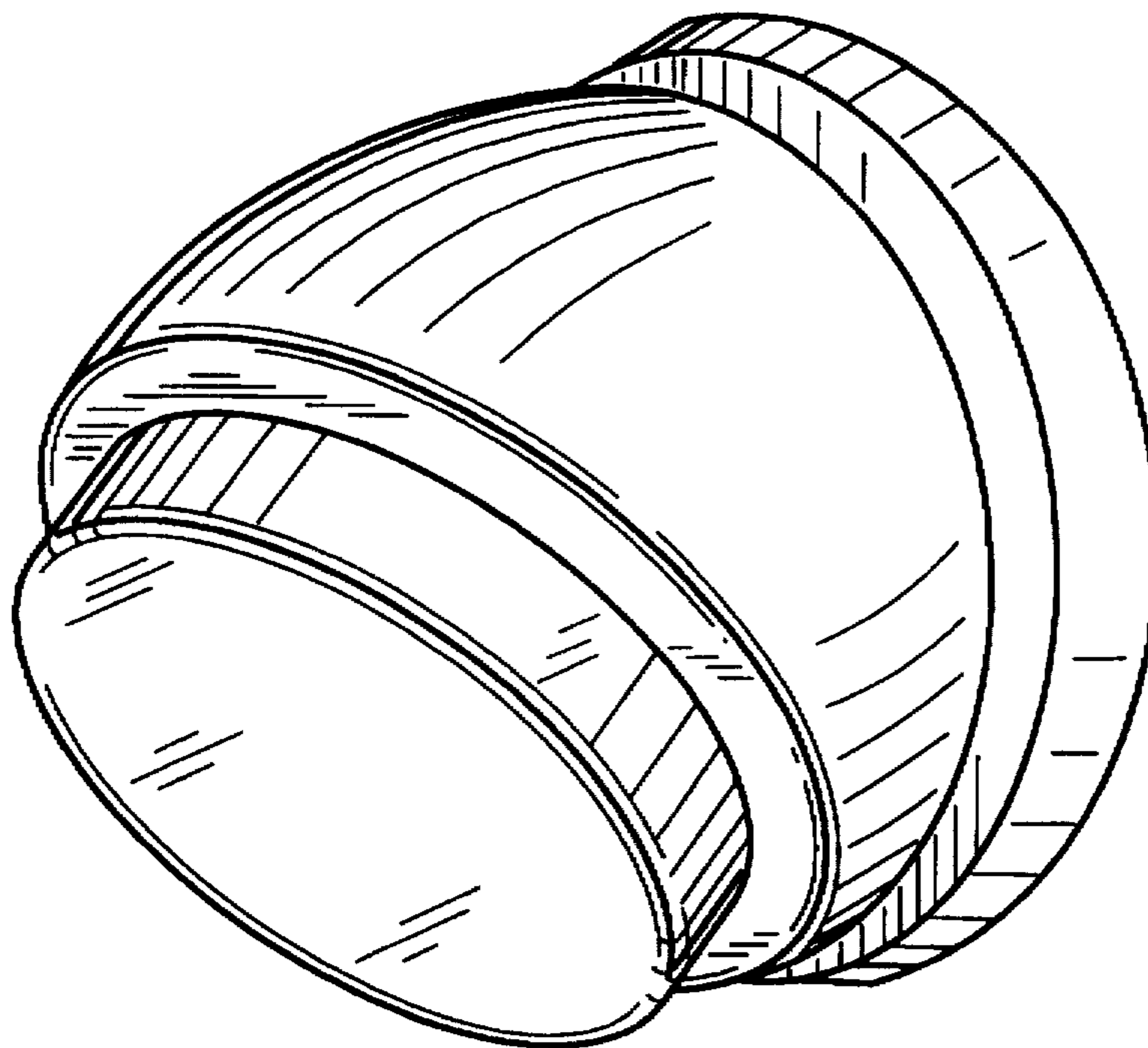
FIG. 3 is a front elevational view of the light assembly of FIG. 1;

FIG. 4 is a side elevational view of the light assembly of FIG. 1;

FIG. 5 is a rear elevational view of the light assembly of FIG. 1; and,

FIG. 6 is an elevational view of the light assembly of FIG. 4 taken along 6—6.

1 Claim, 2 Drawing Sheets



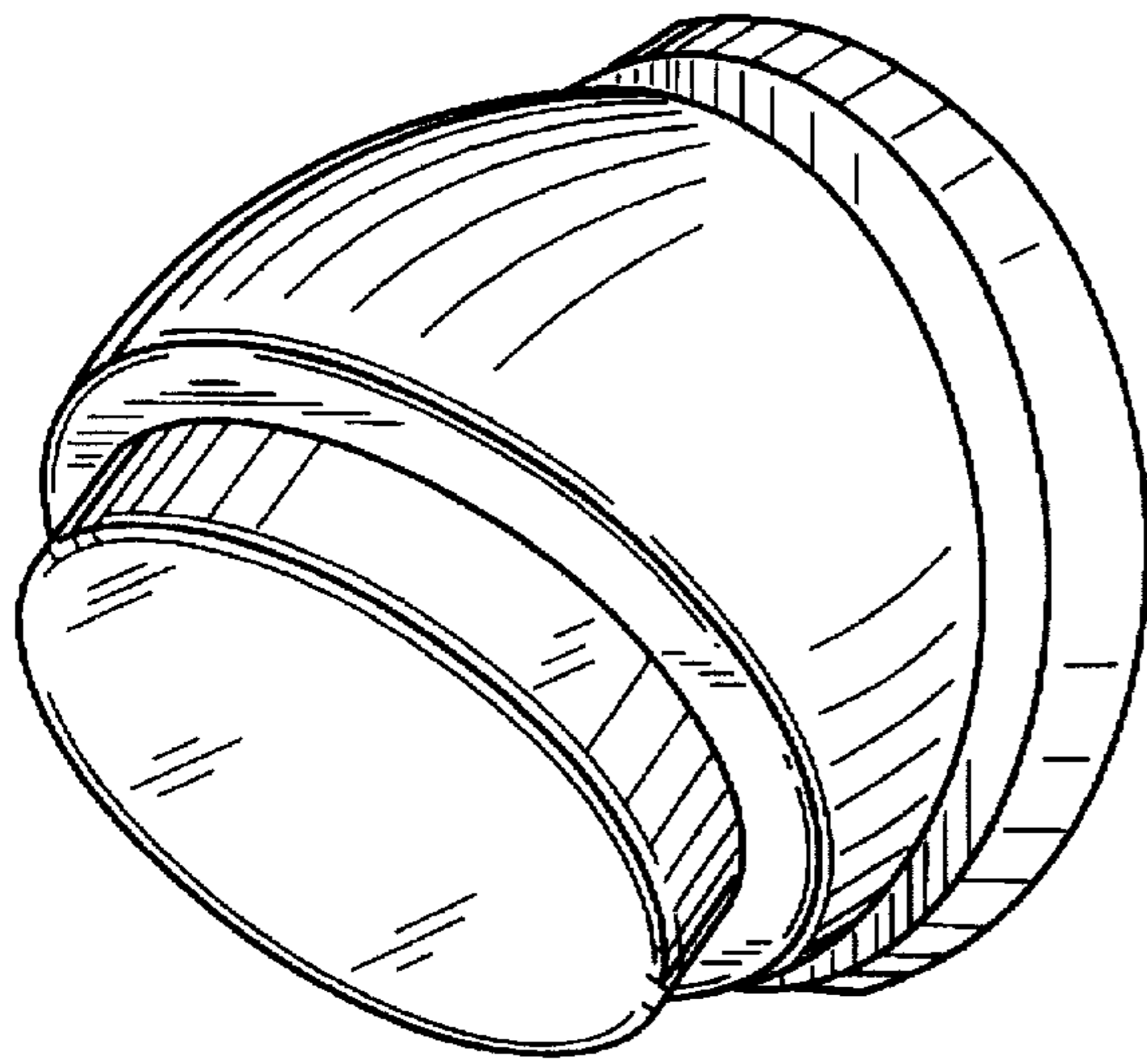


FIG. 1

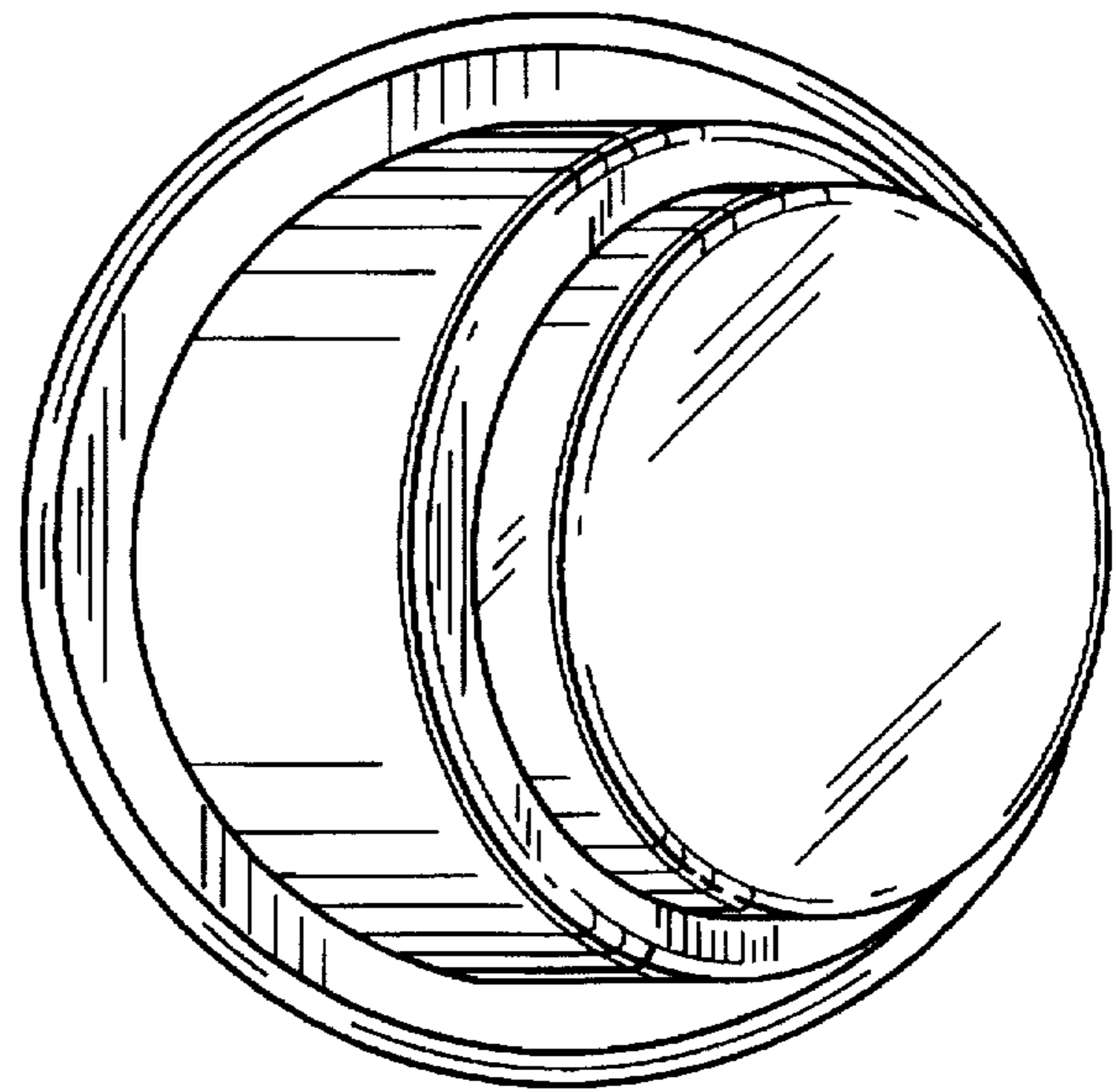


FIG. 2

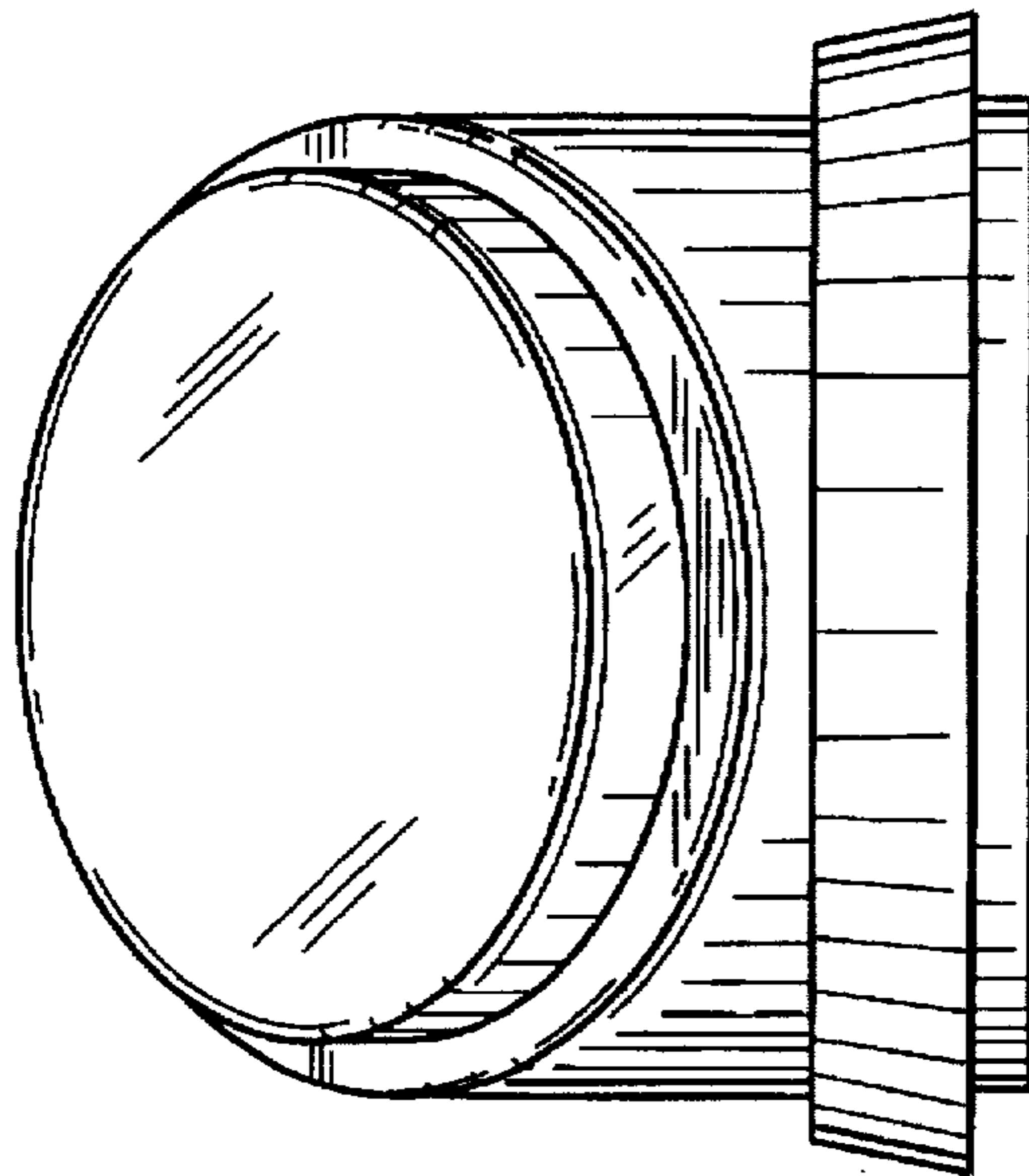


FIG. 3

FIG. 4

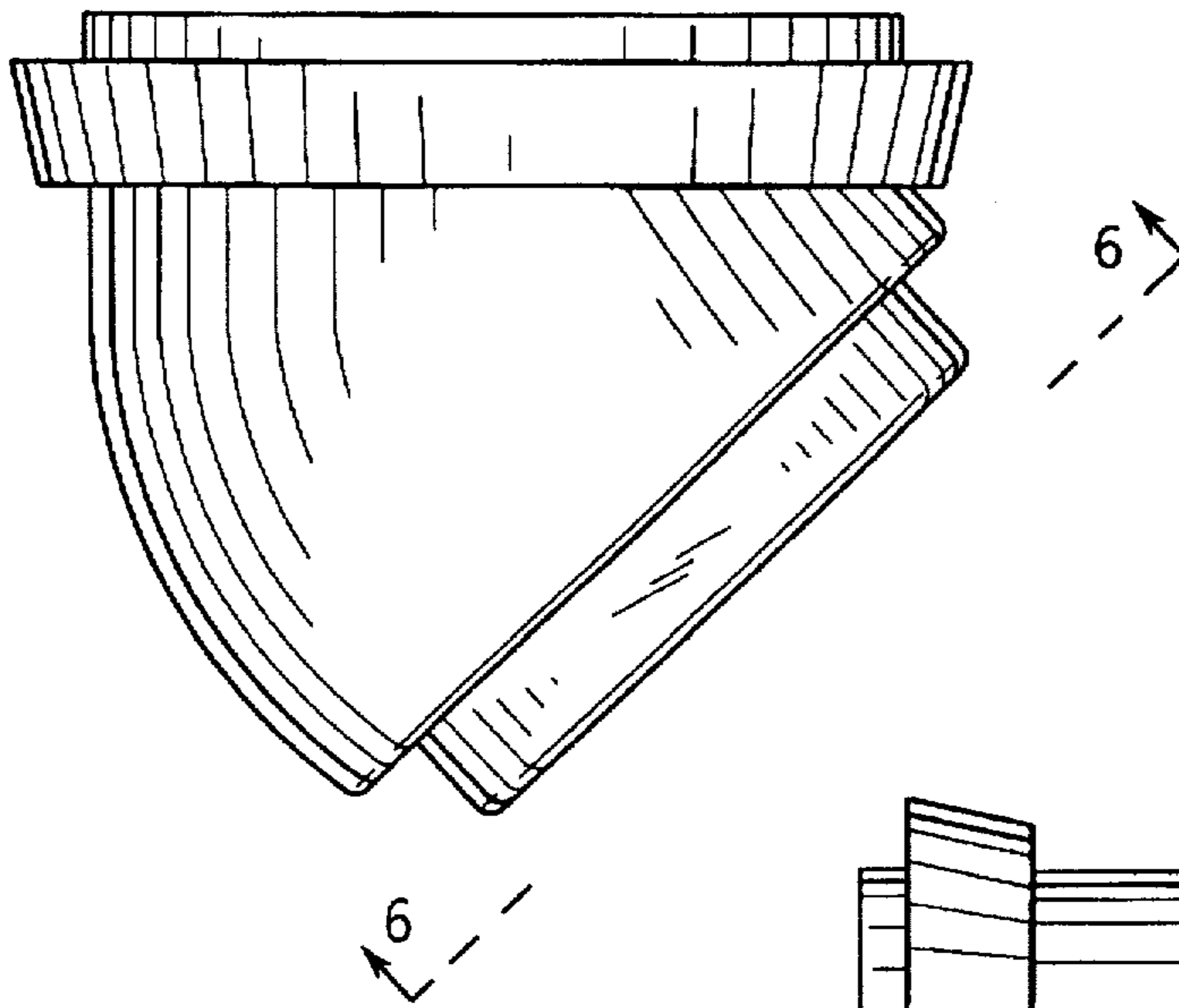


FIG. 5

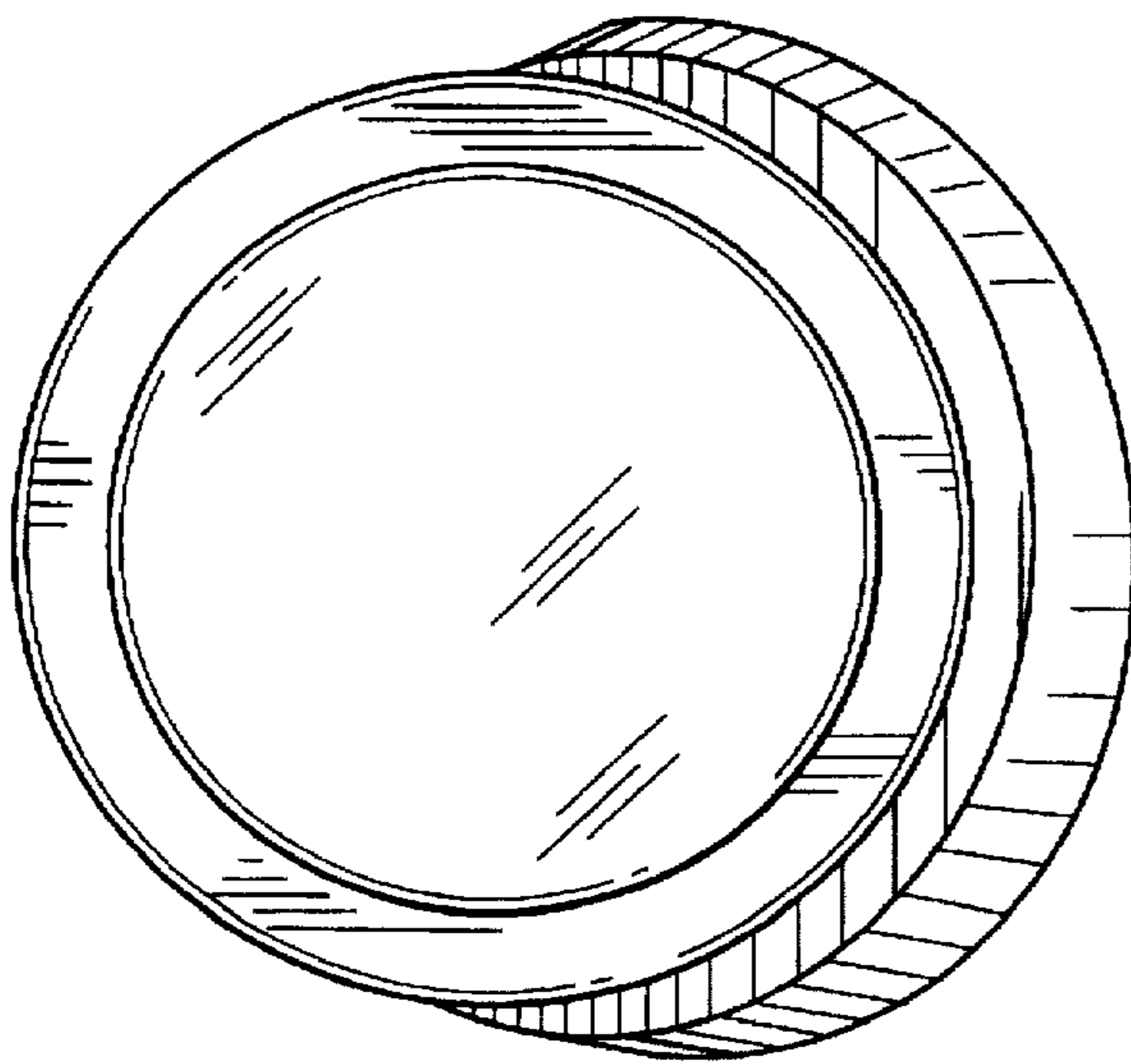
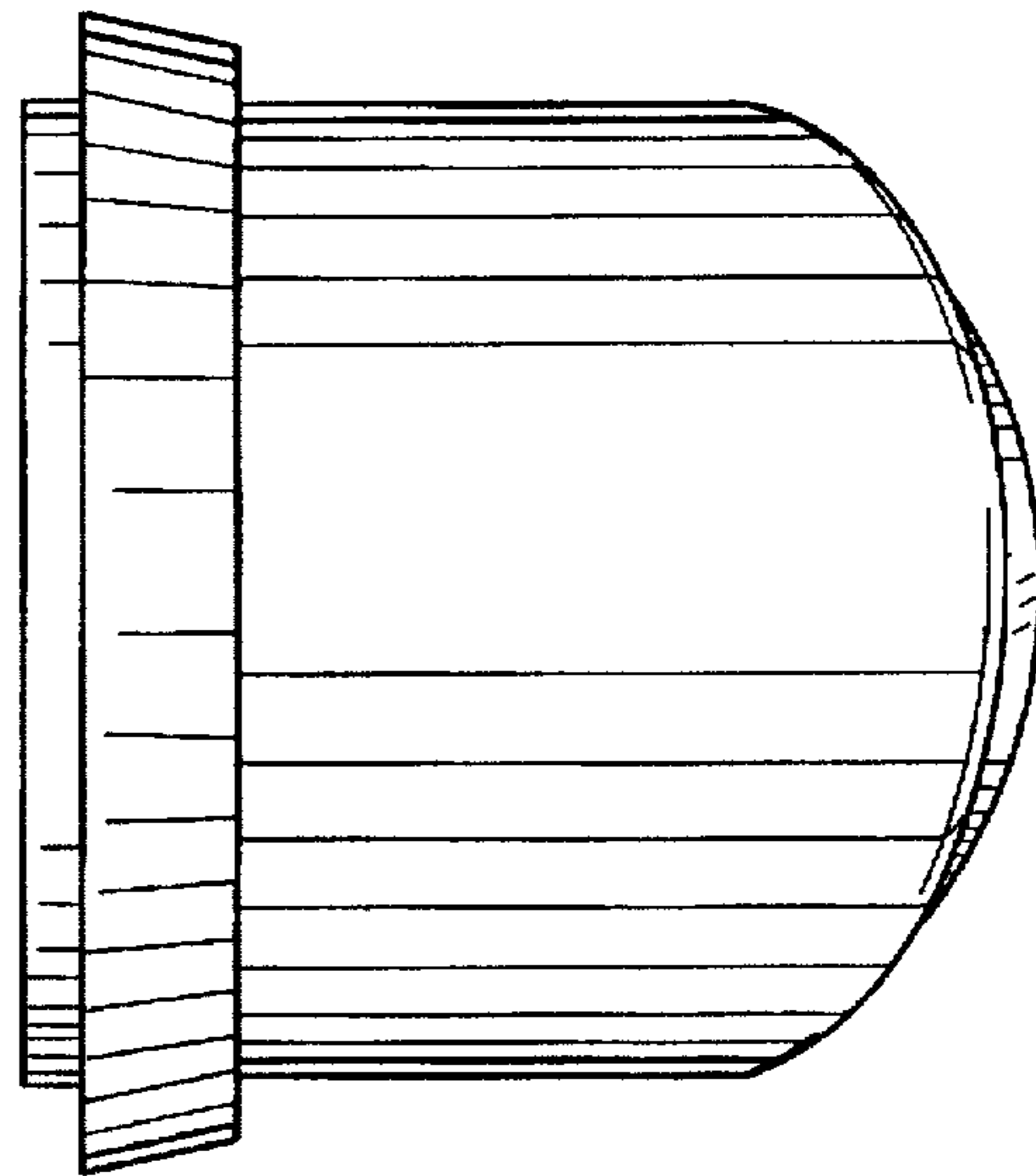


FIG. 6