



US00D389590S

**United States Patent** [19]  
**Oliver**

[11] **Patent Number: Des. 389,590**  
[45] **Date of Patent: \*\*Jan. 20, 1998**

[54] **WINDOW COMPONENT EXTRUSION 7109**

D. 338,720 8/1993 Moss et al. .... D25/124

[75] **Inventor: Teresa A. Oliver, Kent, Wash.**

**OTHER PUBLICATIONS**

[73] **Assignee: Mikron Industries, Inc., Kent, Wash.**

Mikron Industries Design No. 6706, Inventor: Jeff Franson  
Invention as Sold, Offered for Sale, or Publically Used More  
Than 1yr. Prior to Filing Date of Present Application.

[\*\*] **Term: 14 Years**

*Primary Examiner*—Doris Clark  
*Attorney, Agent, or Firm*—Richardson & Folise

[21] **Appl. No.: 41,150**

[22] **Filed: Jun. 29, 1995**

[57] **CLAIM**

[51] **LOC (6) Cl. .... 25-01**

The ornamental design for a window component extrusion,  
as shown and described.

[52] **U.S. Cl. .... D25/124**

[58] **Field of Search .... D25/121-125,  
D25/60, 52; 49/DIG. 2, 504, 505; 52/204.5,  
204.56, 204.51, 730.3, 204.1**

**DESCRIPTION**

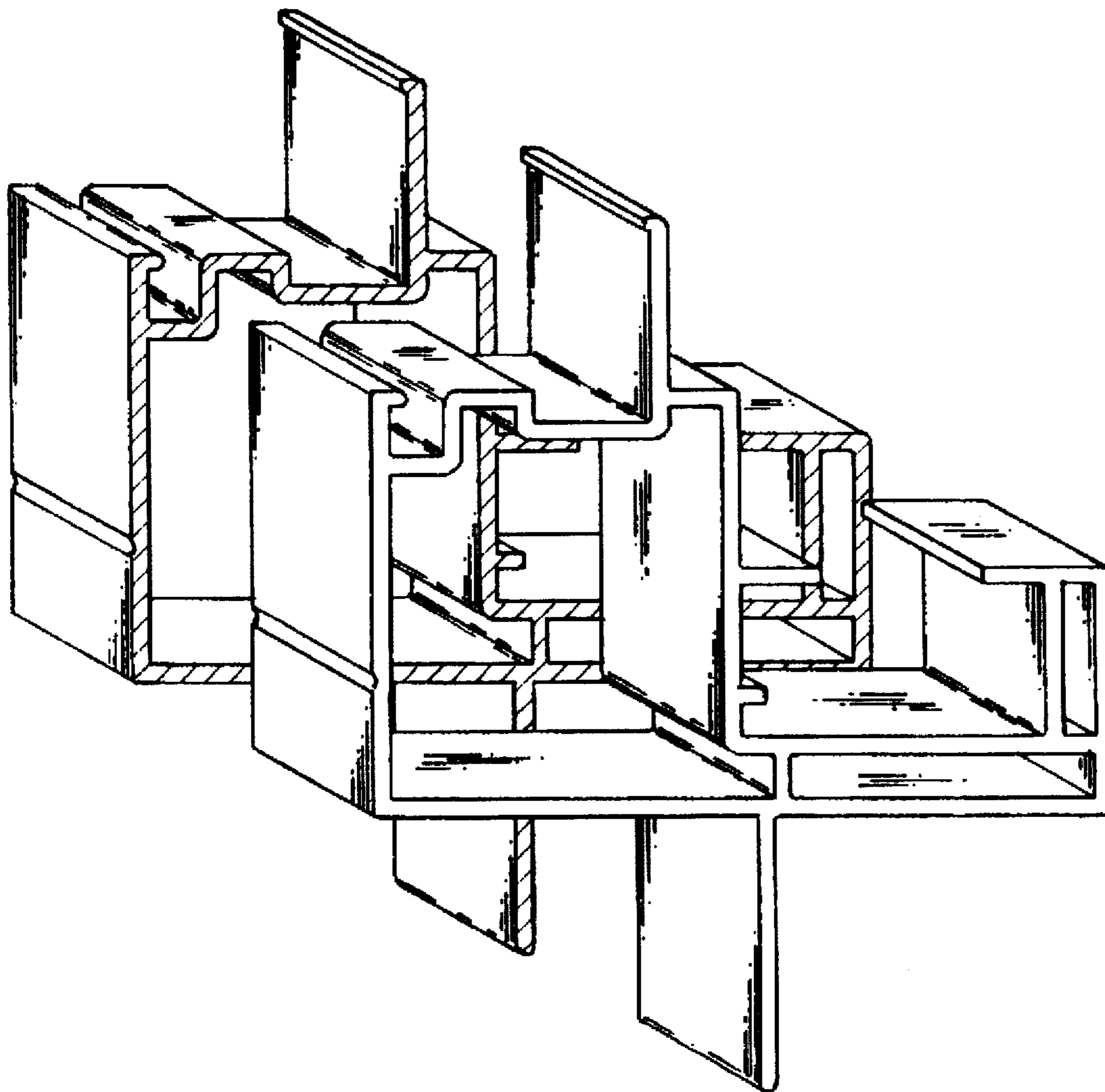
FIG. 1 is a top right perspective view of the window  
component extrusion being of indefinite length; and,  
FIG. 2 is a bottom left perspective view of the window  
component extrusion shown in FIG. 1.

[56] **References Cited**

**U.S. PATENT DOCUMENTS**

D. 307,943 5/1990 West Phal et al. .... D25/124

**1 Claim, 1 Drawing Sheet**



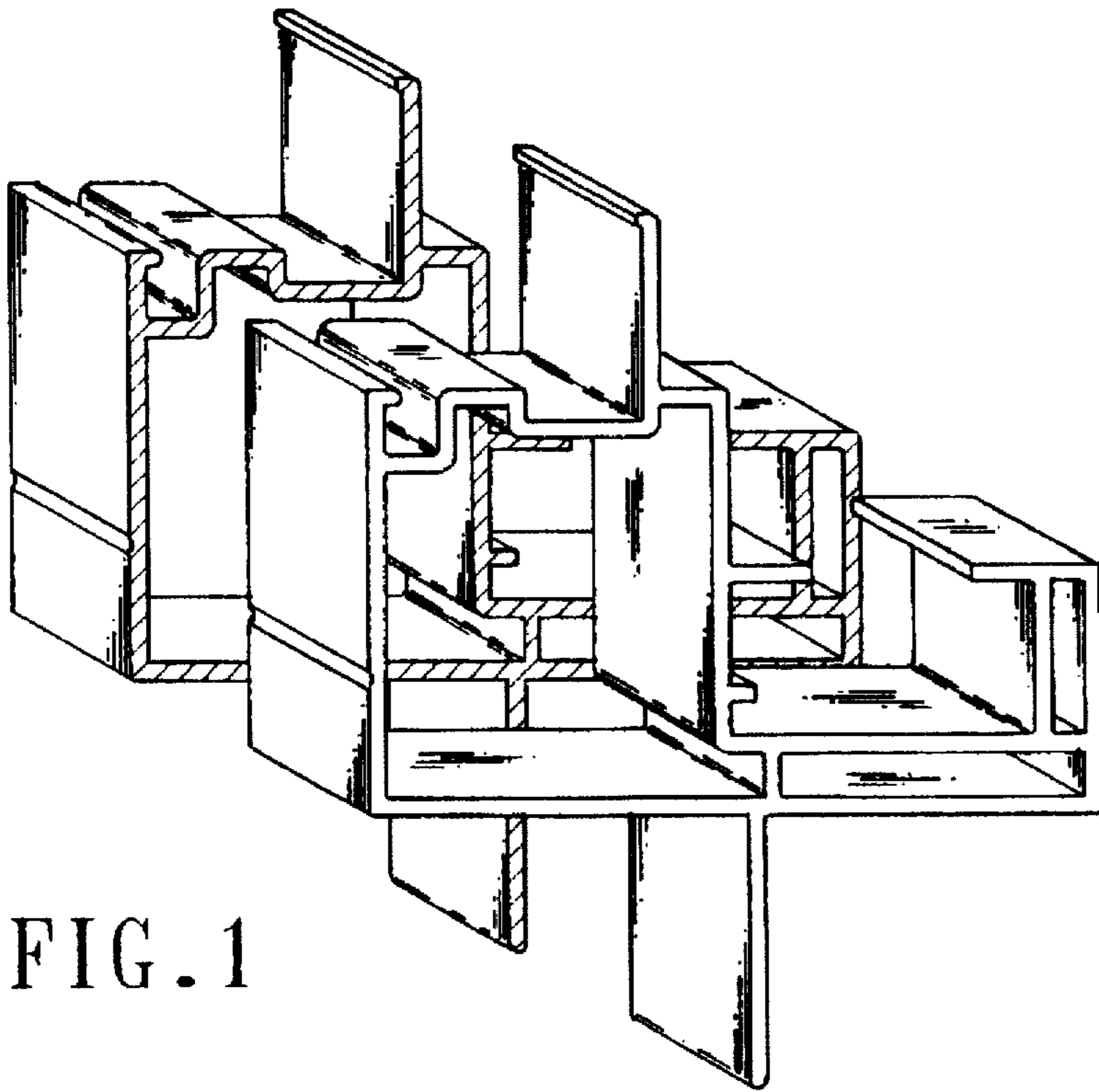


FIG. 1

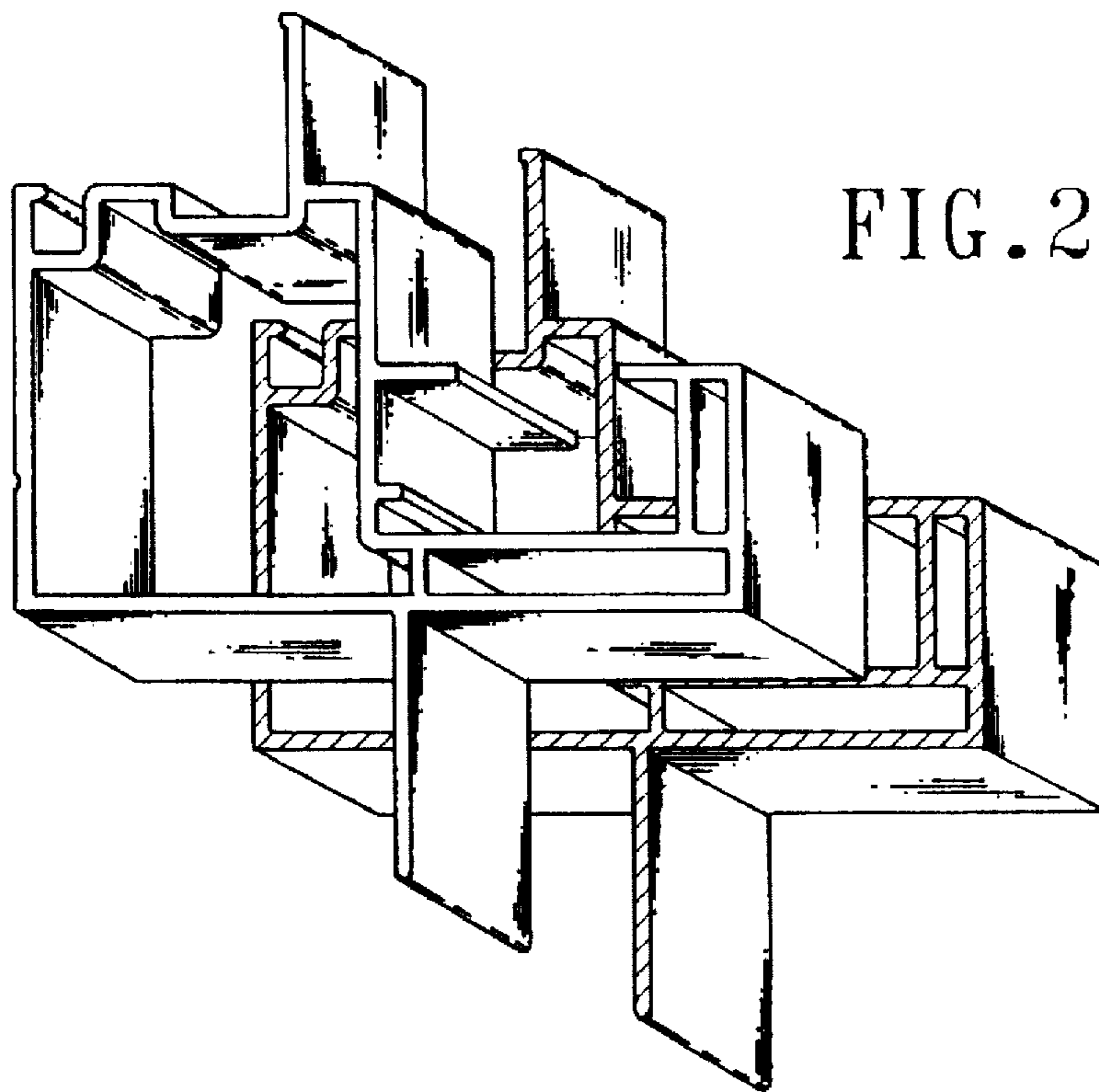


FIG. 2