



US00D389588S

United States Patent [19]
Dunk

[11] **Patent Number: Des. 389,588**
[45] **Date of Patent: **Jan. 20, 1998**

[54] **STAIR TREAD HAVING A SLIP-RESISTANT SURFACE**

[75] **Inventor: Robert T. Dunk, Brentwood, Tenn.**
[73] **Assignee: Harsco Corporation, Camp Hill, Pa.**
[**] **Term: 14 Years**
[21] **Appl. No.: 62,185**
[22] **Filed: Nov. 8, 1996**

Related U.S. Application Data

[63] **Continuation of Ser. No. 054,690, May 20, 1996, abandoned.**
[51] **LOC (6) Cl. 25-04**
[52] **U.S. Cl. D25/69**
[58] **Field of Search D25/69; 52/179, 52/180**

[56] **References Cited**

U.S. PATENT DOCUMENTS

195,504 9/1877 Gustafson .
D. 195,504 6/1963 Waite D25/69
4,285,177 8/1981 Seegers 52/179

OTHER PUBLICATIONS

“Mebec Nosings and Stair Treads” by IKG Borden Published in Old Bridge, CT, USA on May 23, 1991.

Primary Examiner—Doris Clark
Attorney, Agent, or Firm—Eckert Seamans Cherin & Mellott

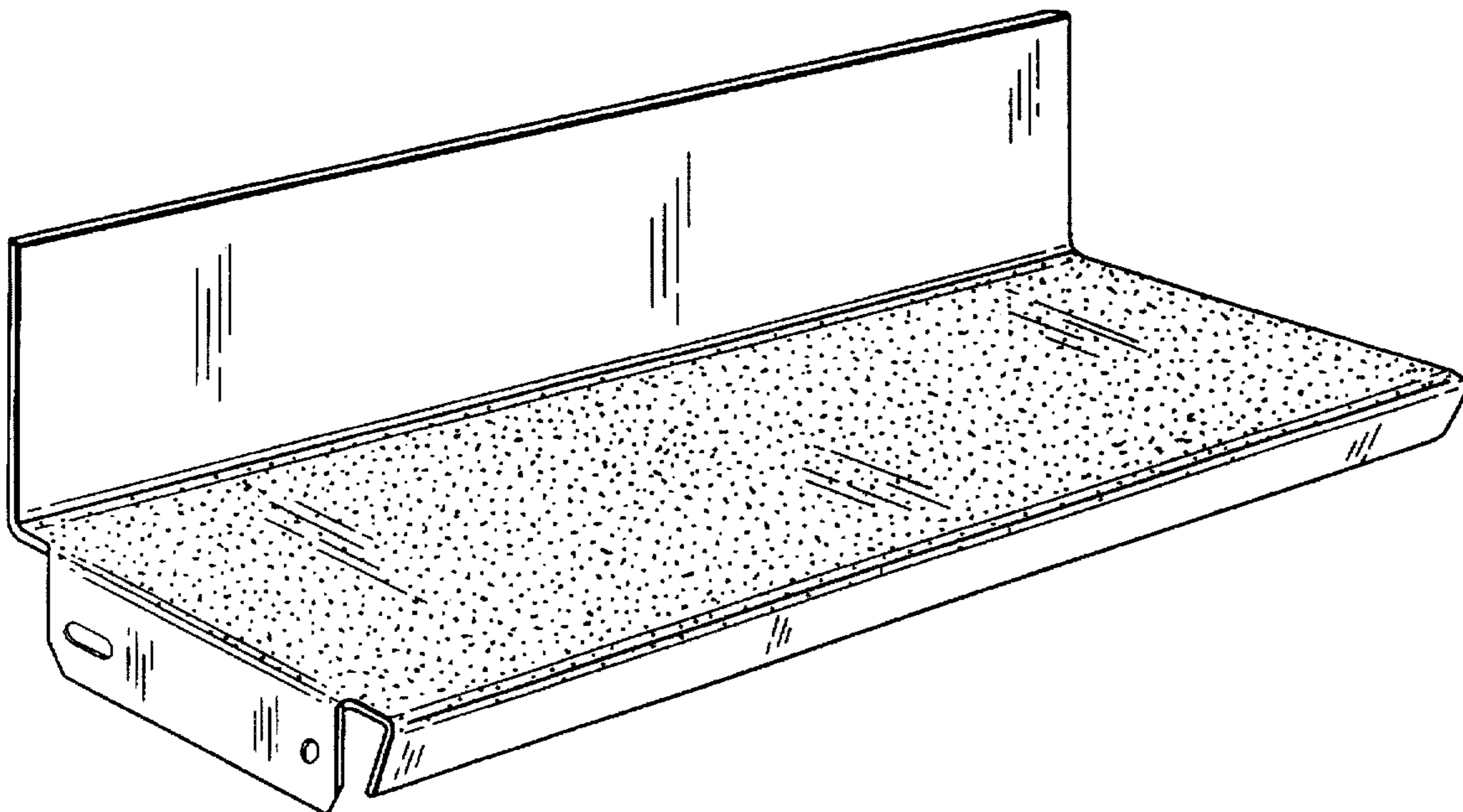
[57] **CLAIM**

The ornamental design of a stair tread having a slip-resistant surface, as shown and described.

DESCRIPTION

FIG. 1 is a perspective view of the stair tread having a slip-resistant surface;
FIG. 2 is a left elevation view of the stair tread having a slip-resistant surface;
FIG. 3 is a front elevation view of the stair tread having a slip-resistant surface;
FIG. 4 is a rear elevation view of the stair tread having a slip-resistant surface;
FIG. 5 is a top plan view of the stair tread having a slip-resistant surface; and,
FIG. 6 is a bottom plan view of the stair tread having a slip-resistant surface.

1 Claim, 3 Drawing Sheets



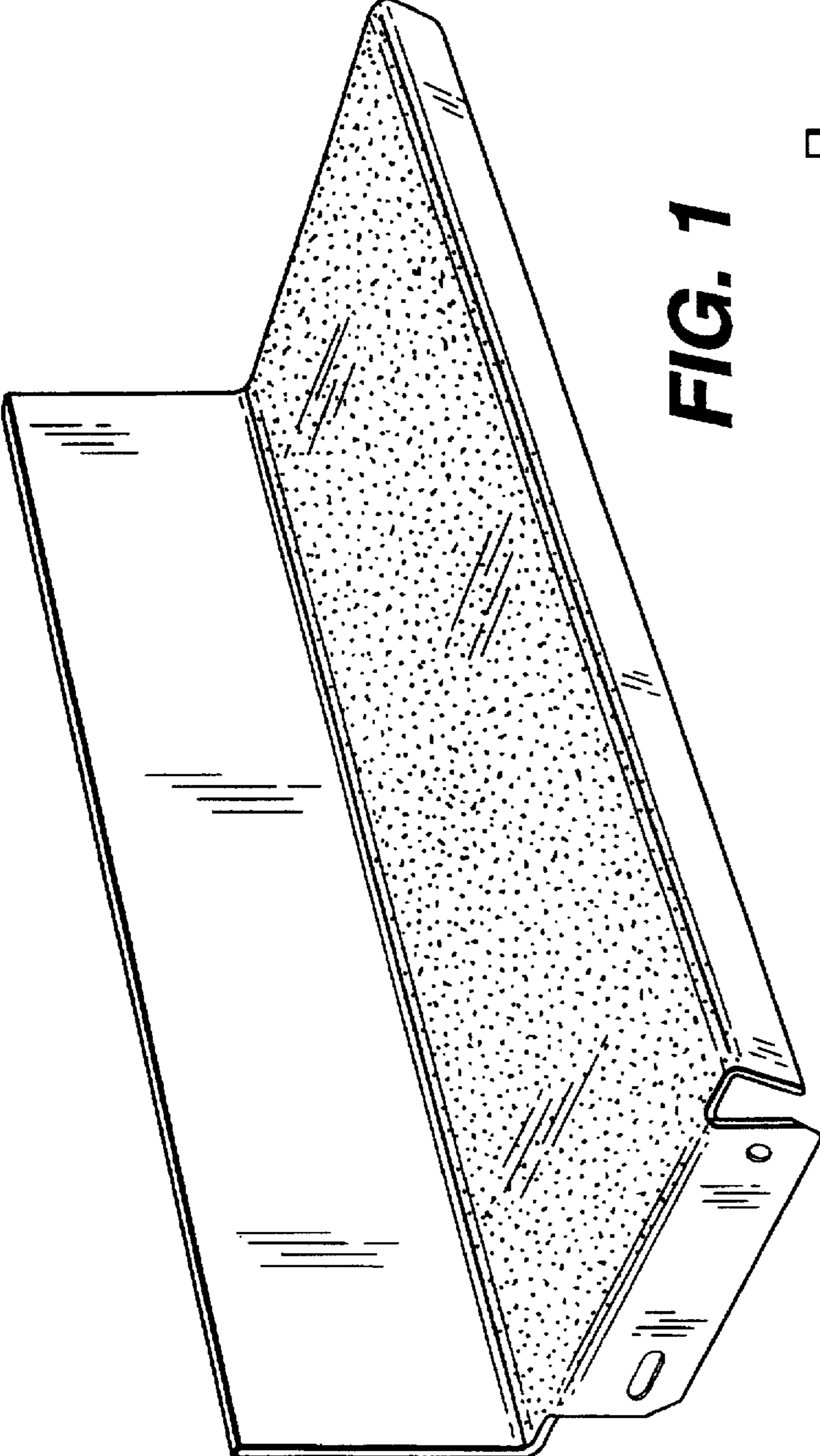


FIG. 1

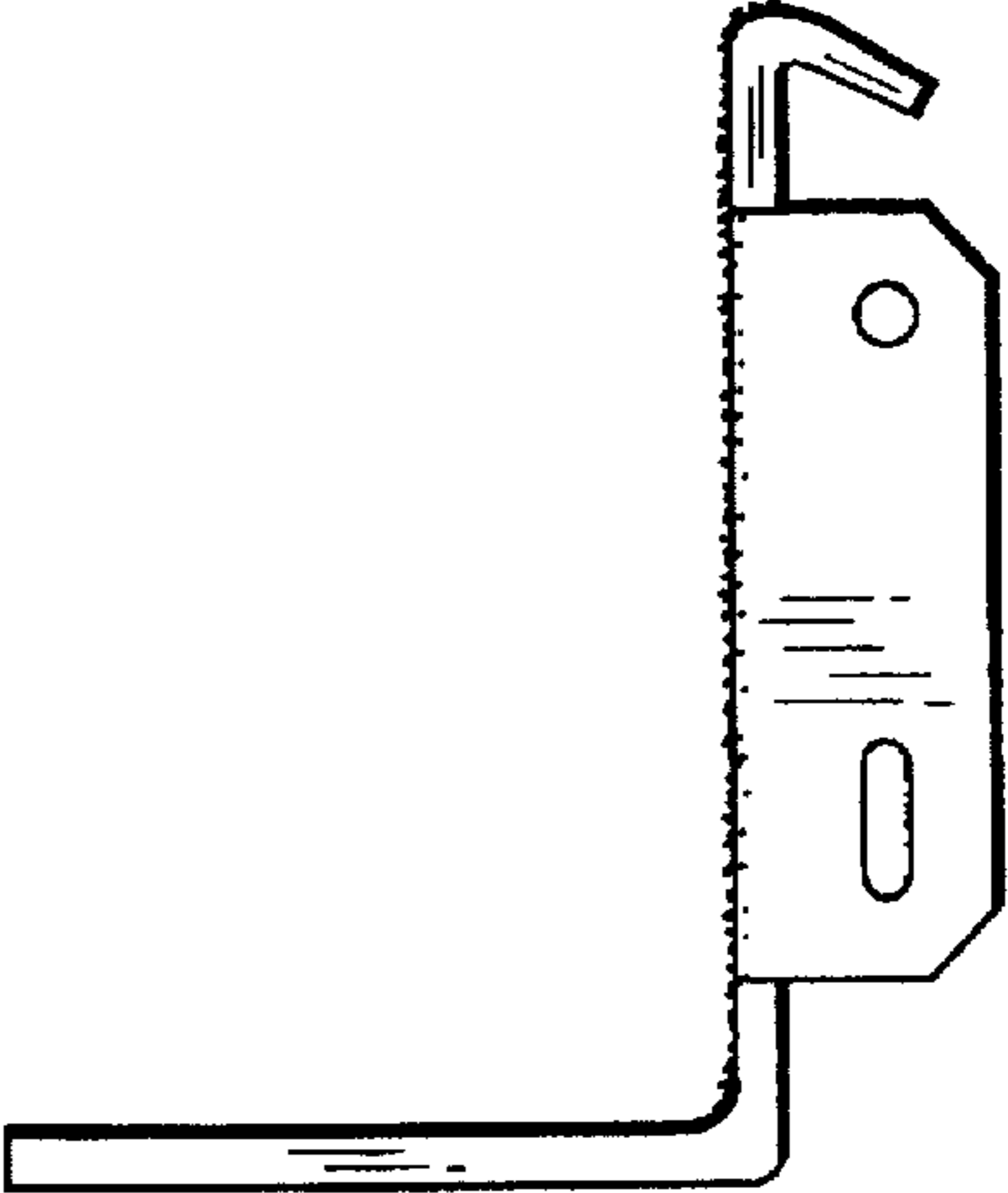


FIG. 2

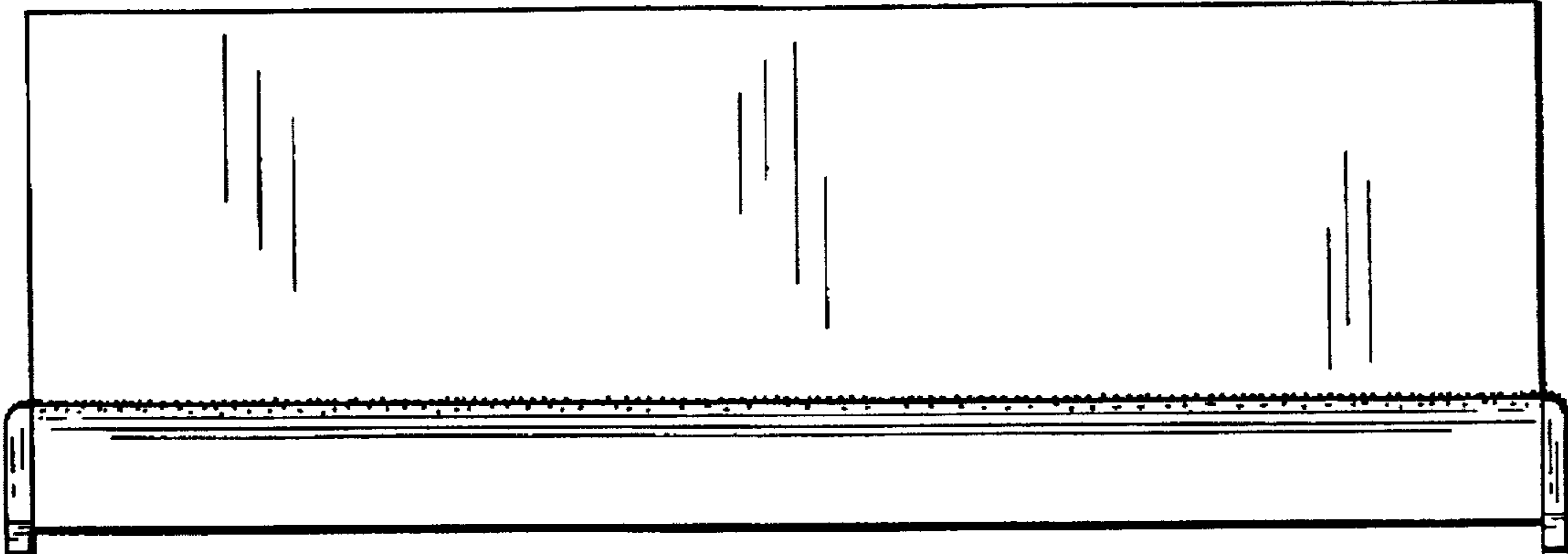


FIG. 3

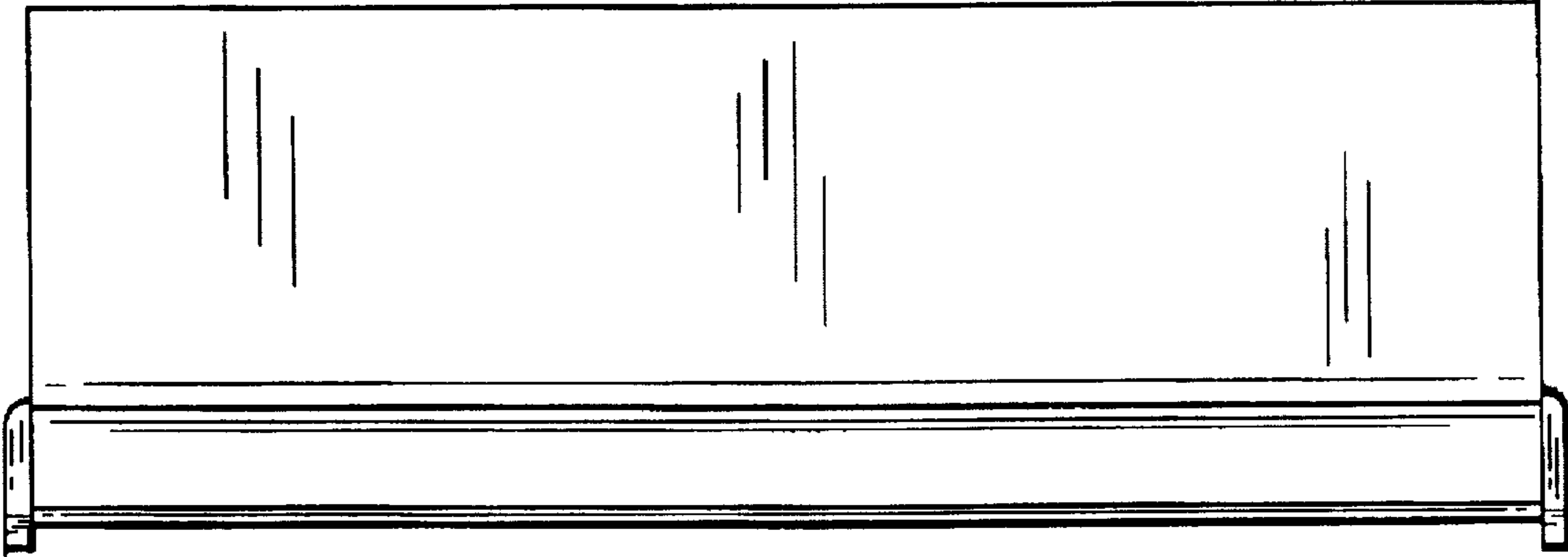


FIG. 4

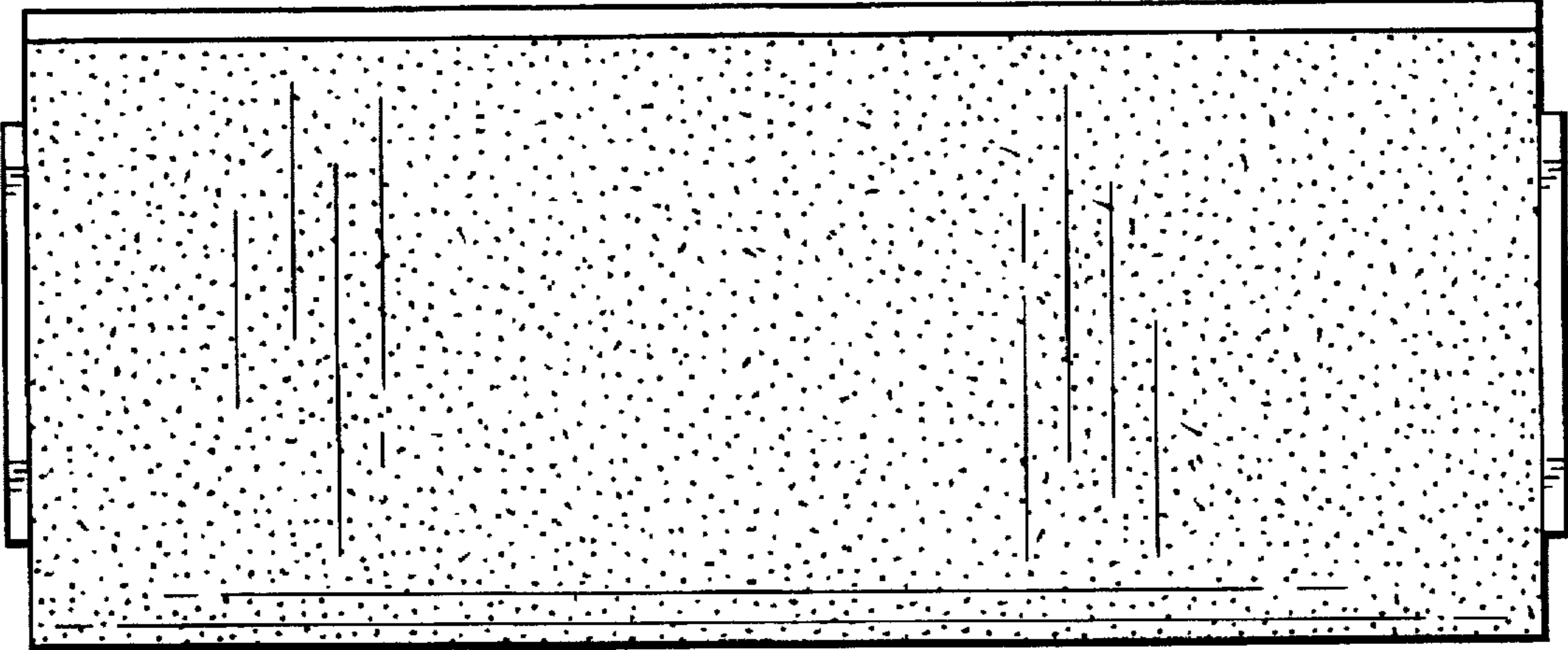


FIG. 5

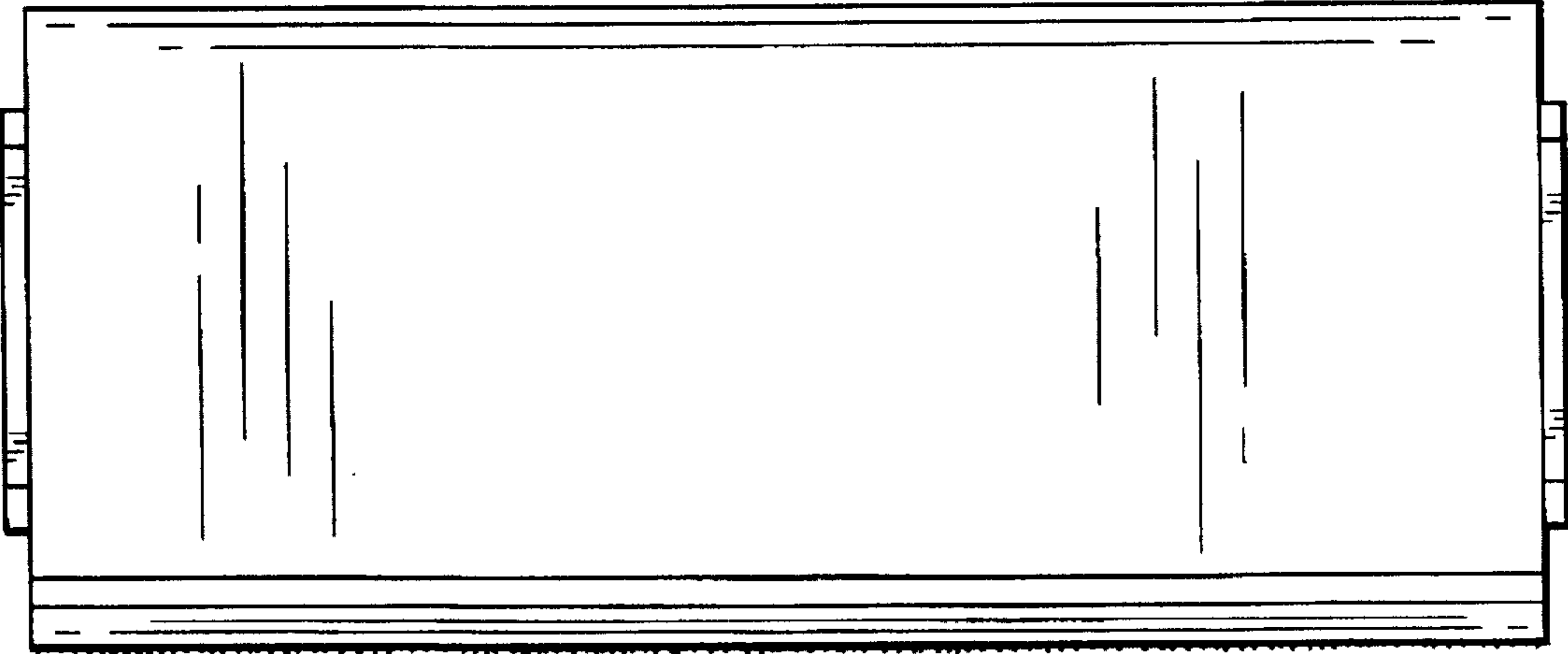


FIG. 6