



US00D389586S

United States Patent [19]
Brennan

[11] **Patent Number: Des. 389,586**

[45] **Date of Patent: ***Jan. 20, 1998**

[54] **COMBINED CAP AND VIAL**

[76] **Inventor: V. Jack Brennan**, 2850 Lombardy Rd.,
San Marino, Calif. 91108

[*] **Notice:** The portion of the term of this patent
subsequent to Sep. 2, 2011, has been
disclaimed.

[**] **Term: 14 Years**

[21] **Appl. No.: 11,928**

[22] **Filed: Aug. 18, 1993**

[51] **LOC (6) Cl. 24-02**

[52] **U.S. Cl. D24/224**

[58] **Field of Search** D24/224, 121;
D9/308, 349, 351, 352; 215/1 R, 1 C, 247,
249, DIG. 3; 206/220, 219

[56] **References Cited**

U.S. PATENT DOCUMENTS

Re. 29,779	9/1978	Morris .	
D. 288,130	2/1987	Larken et al.	D24/224
D. 288,964	3/1987	Larken et al.	D24/224
D. 292,528	10/1987	Weissenburger	D24/224
D. 298,012	10/1988	Larken et al.	D24/224

3,973,690	8/1976	Schneider .
4,036,385	7/1977	Morris .
4,103,797	8/1978	Morris .
4,526,281	7/1985	Herr .
4,579,238	4/1986	Herr .

OTHER PUBLICATIONS

Sarstedt Catalog "Vials" pp. 63, 85 ©1992 Eoc Room.

Primary Examiner—Louis S. Zarfes

Assistant Examiner—I. Simmons

Attorney, Agent, or Firm—Fitch, Even, Tabin & Flannery

[57] **CLAIM**

The ornamental design for a combined cap and vial, as shown and described.

DESCRIPTION

FIG. 1 is a perspective view of a combined cap and vial showing my new design;
FIG. 2 is a side elevation of a combined cap and vial of FIG. 1;
FIG. 3 is a top view of a combined cap and vial of FIG. 1; and,
FIG. 4 is a bottom view of a combined and vial of FIG. 1.

1 Claim, 1 Drawing Sheet

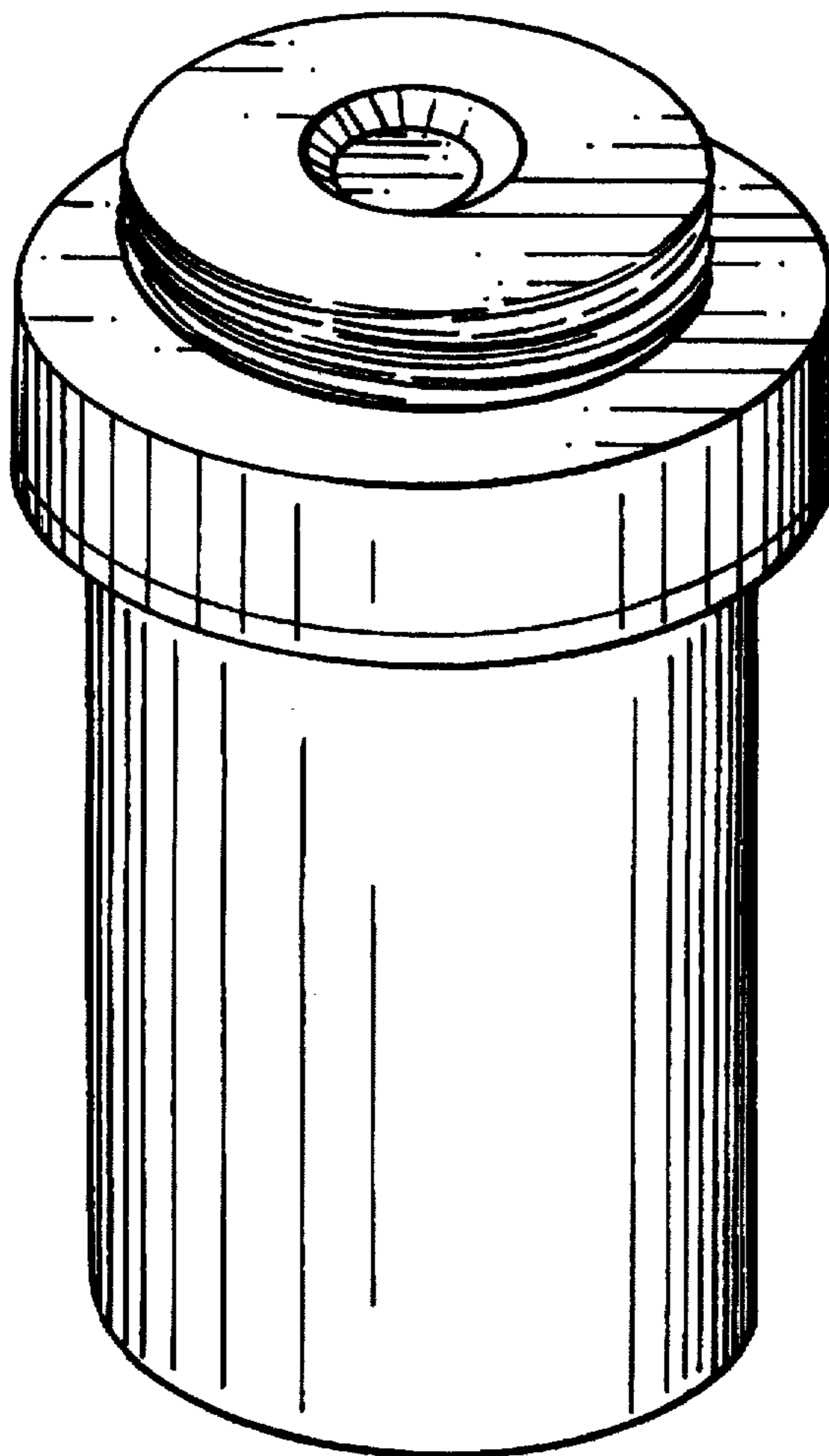


FIG. 1

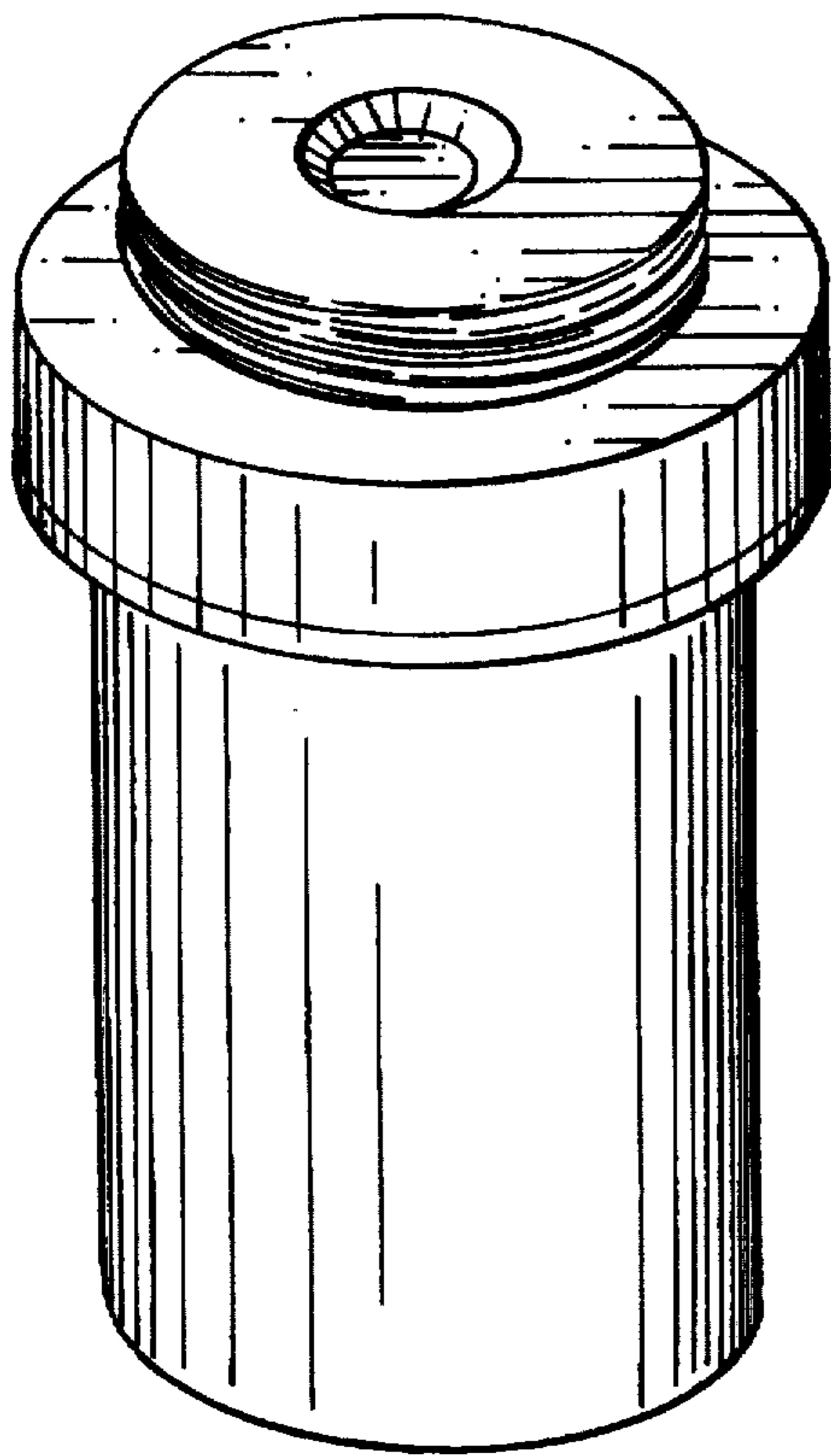


FIG. 2

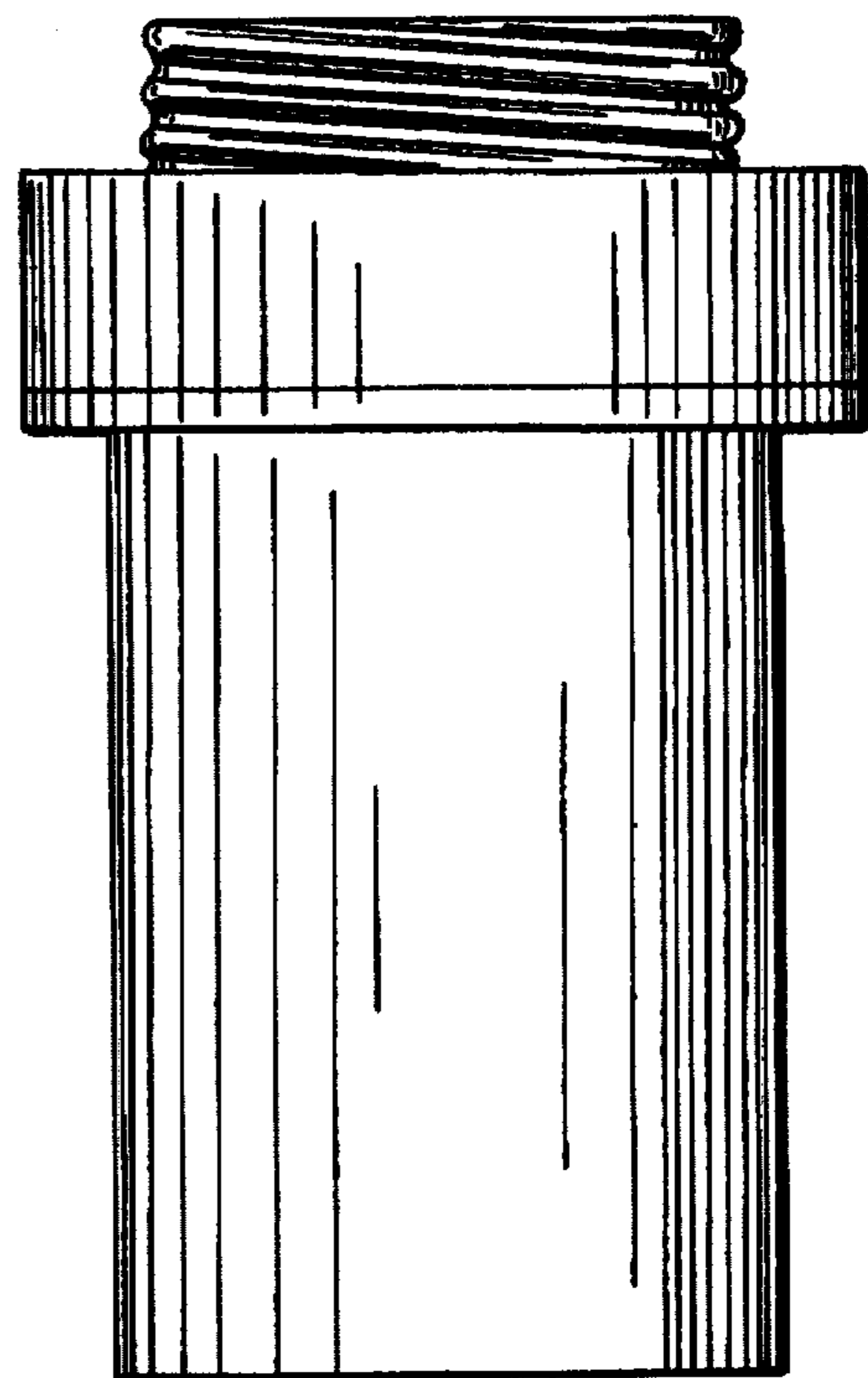


FIG. 3

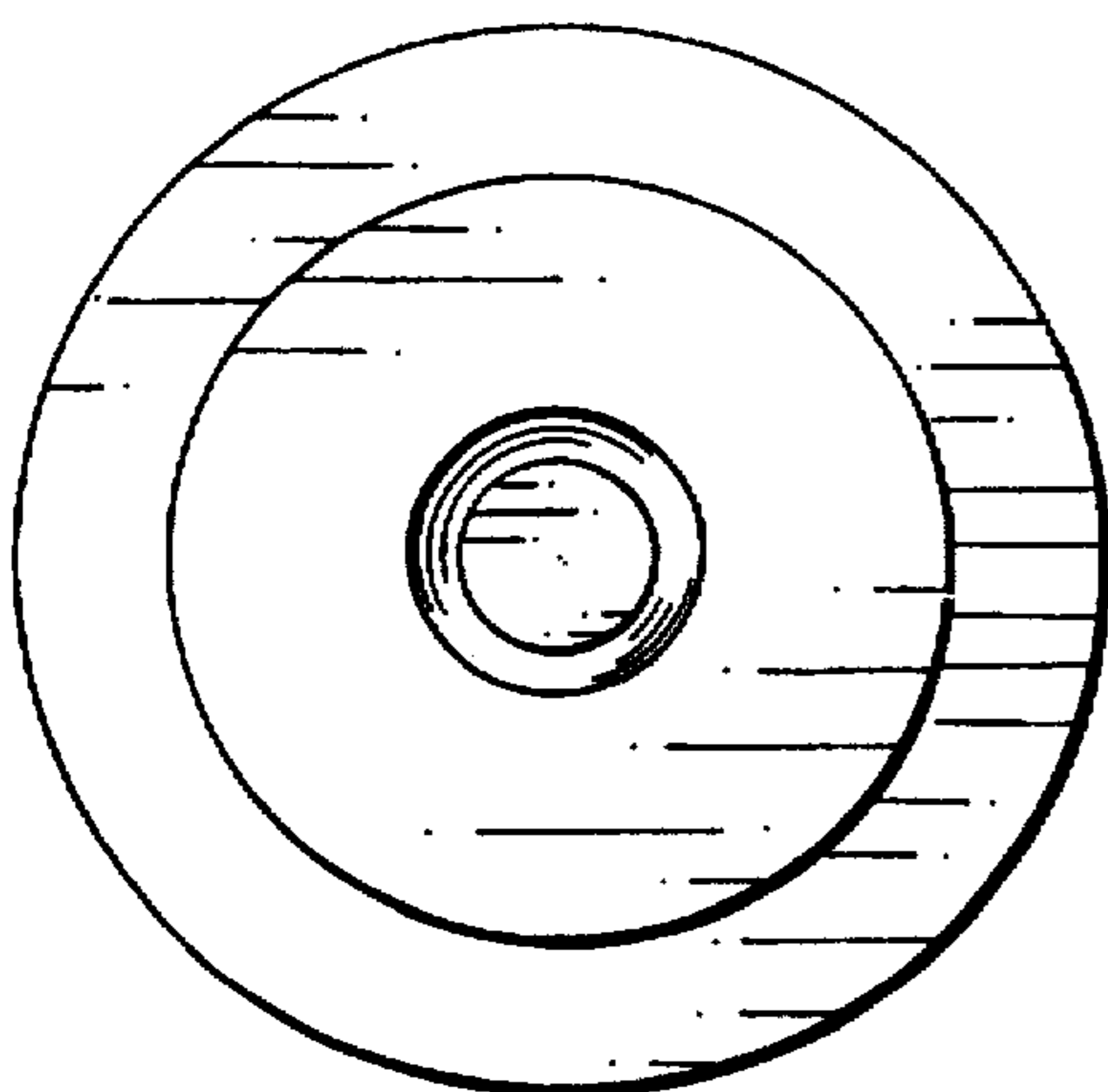


FIG. 4

