



US00D389583S

United States Patent [19]

[11] Patent Number: **Des. 389,583**

Thom

[45] Date of Patent: *****Jan. 20, 1998**

[54] **ANGLED BOTTLE**

D. 371,849	7/1996	Thom	D24/197
4,867,325	9/1989	Dransfield	D24/197 X
5,069,351	12/1991	Gunderson	D24/197 X

[75] Inventor: **Paul Thom**, Montclair, N.J.

[73] Assignee: **Playtex Products, Inc.**, Westport, Conn.

Primary Examiner—Stella Reid
Attorney, Agent, or Firm—Ohlandt, Greeley, Ruggiero & Perle

[*] Notice: The portion of the term of this patent subsequent to Jul. 16, 2010, has been disclaimed.

[57] CLAIM

[**] Term: **14 Years**

The ornamental design for the angled bottle, as shown and described.

[21] Appl. No.: **57,035**

[22] Filed: **Jul. 15, 1996**

DESCRIPTION

Related U.S. Application Data

[62] Division of Ser. No. 35,442, Feb. 27, 1995, Pat. No. Des. 371,849.

[51] LOC (6) Cl. **07-01**

[52] U.S. Cl. **D24/197**

[58] Field of Search D24/197; 215/11.1, 215/11.2, 11.3, 11.4, 11.5, 11.6

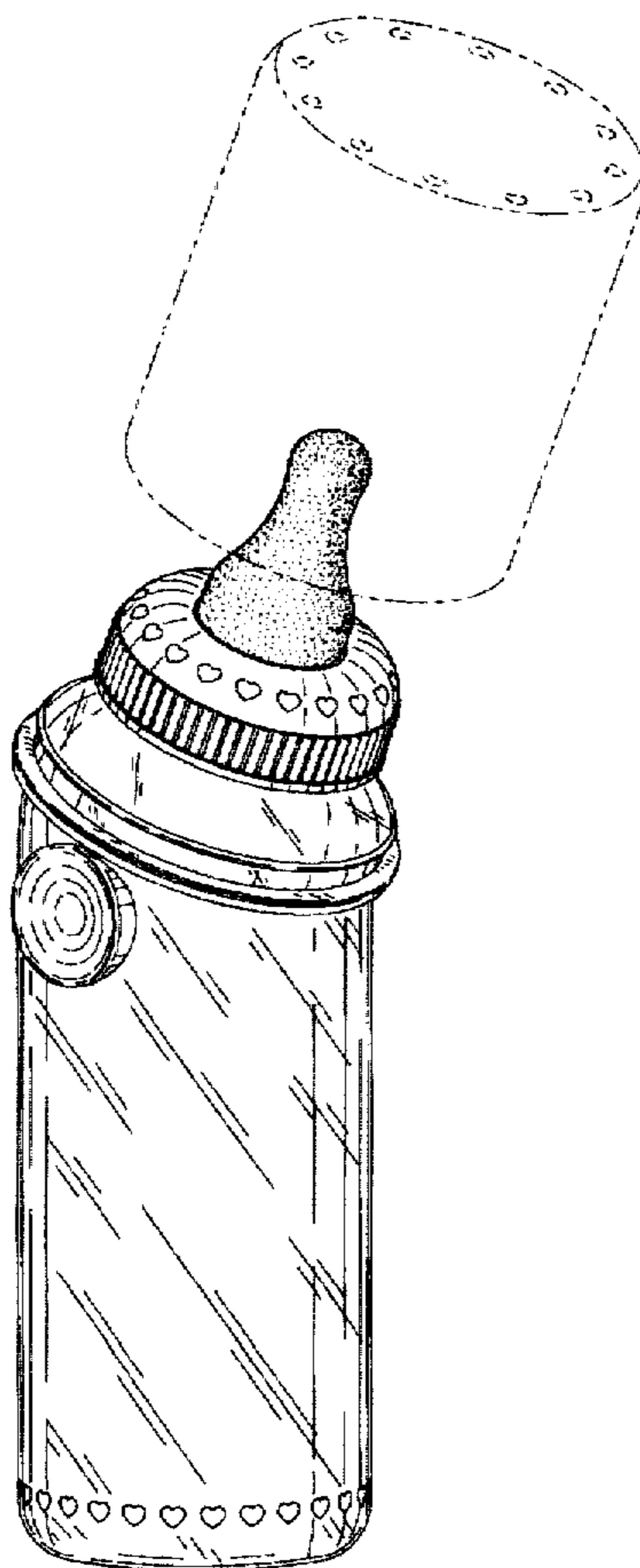
FIG. 1 is a perspective view of a first angled bottle showing my new design;
 FIG. 2 is a perspective view of the angled bottle, opposite the view shown in FIG. 1, and illustrating the cap removed;
 FIG. 3 is a side elevational view of the angled bottle of FIG. 1 with the side opposite identical to the side shown;
 FIG. 4 is a top view of the angled bottle of FIG. 1;
 FIG. 5 is a bottom view of the angled bottle of FIG. 1;
 FIG. 6 is a perspective view of a second, smaller version angled bottle showing my new design;
 FIG. 7 is a side elevational view of the angled bottle of FIG. 6, illustrating the cap removed; and,
 FIG. 8 is a side elevational view of the angled bottle, opposite the view shown in FIG. 7, but the cap in not removed.

[56] References Cited

U.S. PATENT DOCUMENTS

D. 316,754	5/1991	Lau	D24/197
D. 336,685	6/1993	Hsu	D24/197

1 Claim, 7 Drawing Sheets



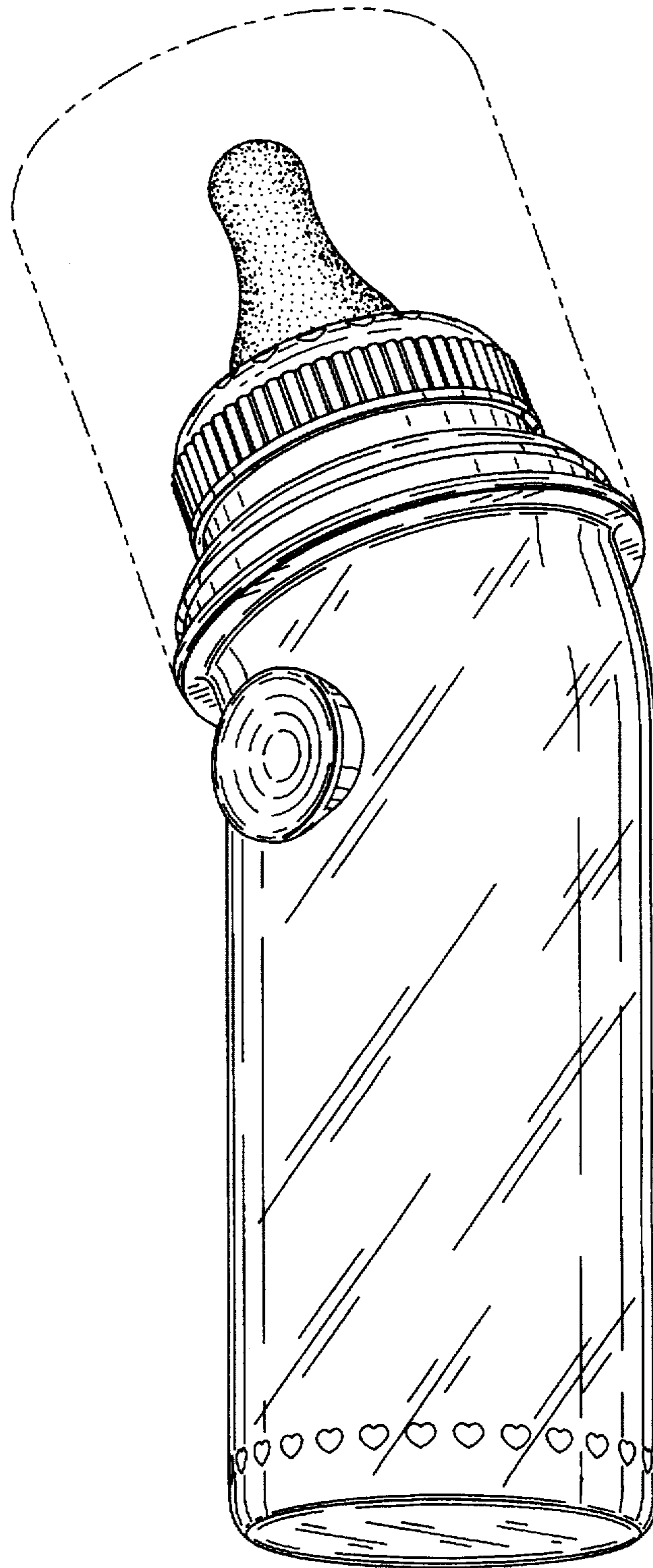
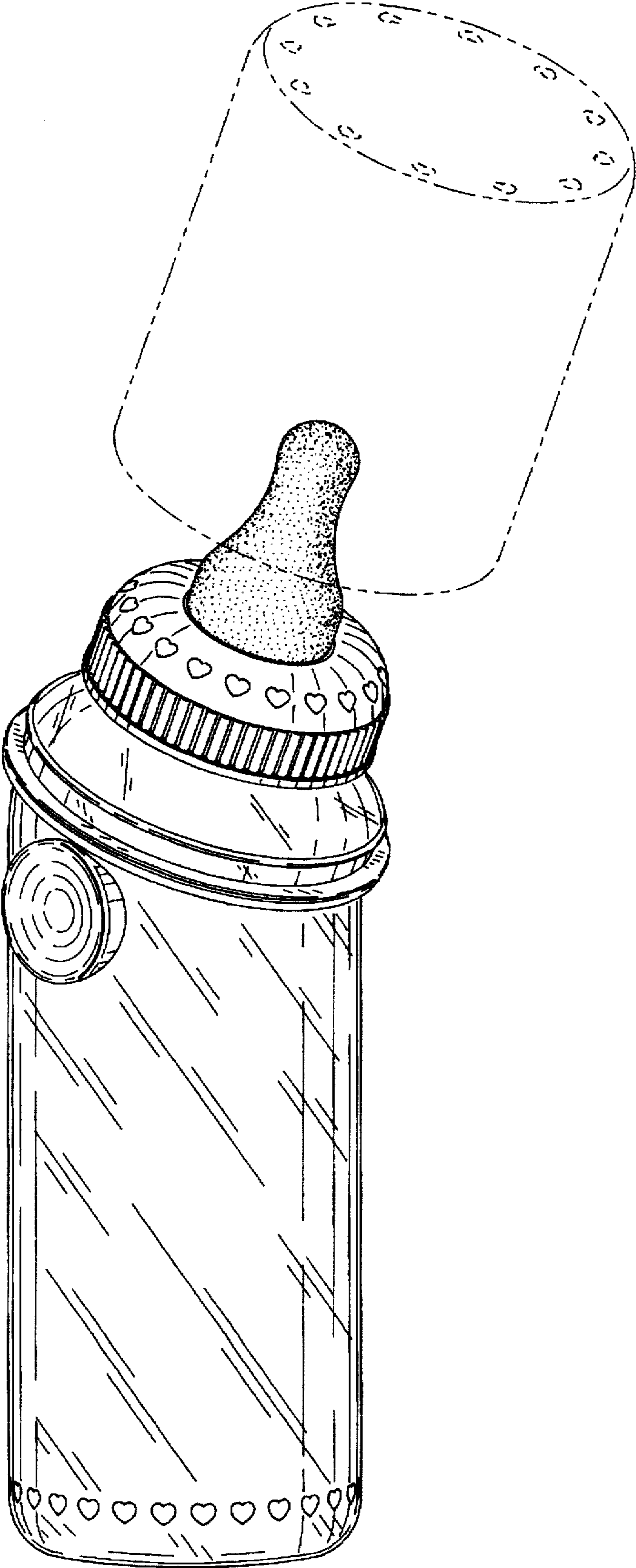


FIG. 1

FIG. 2



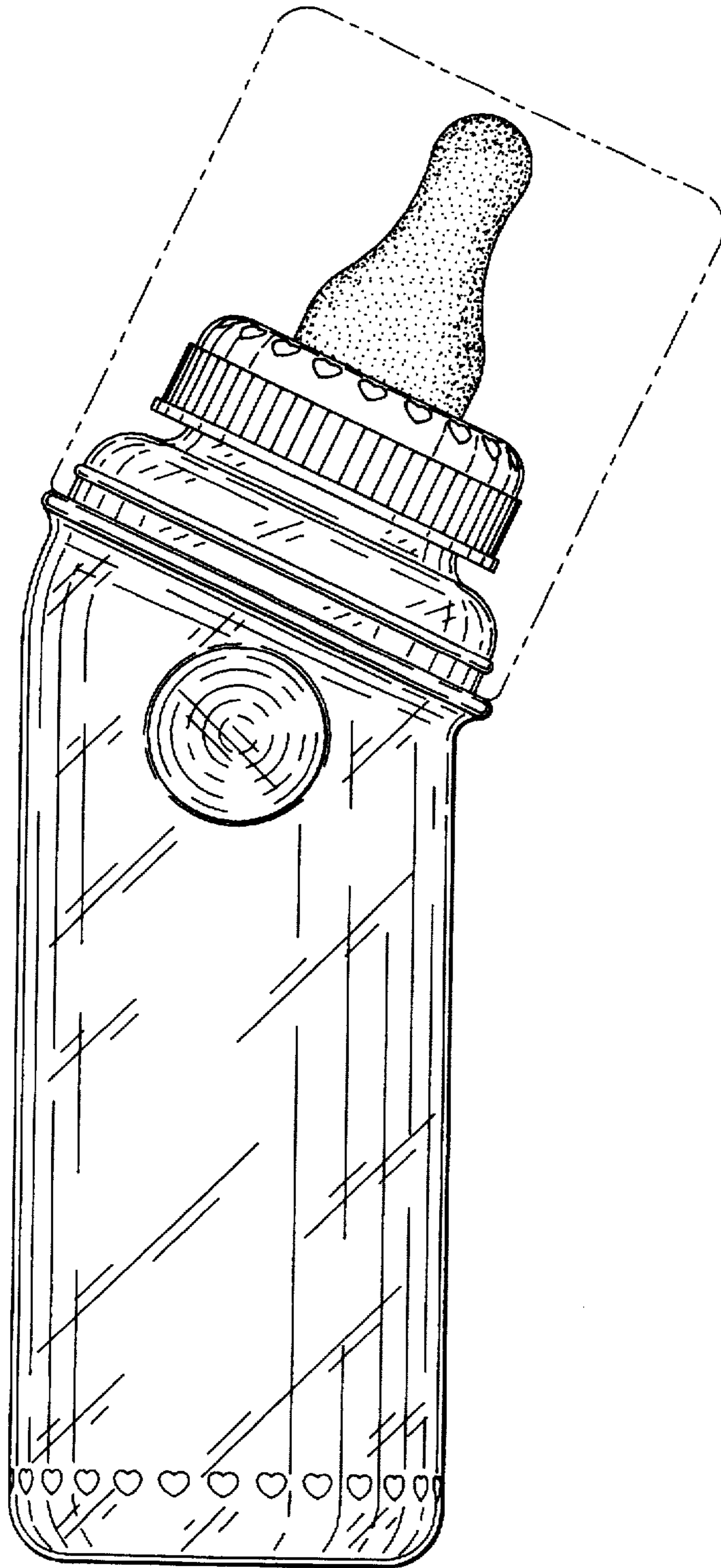


FIG. 3

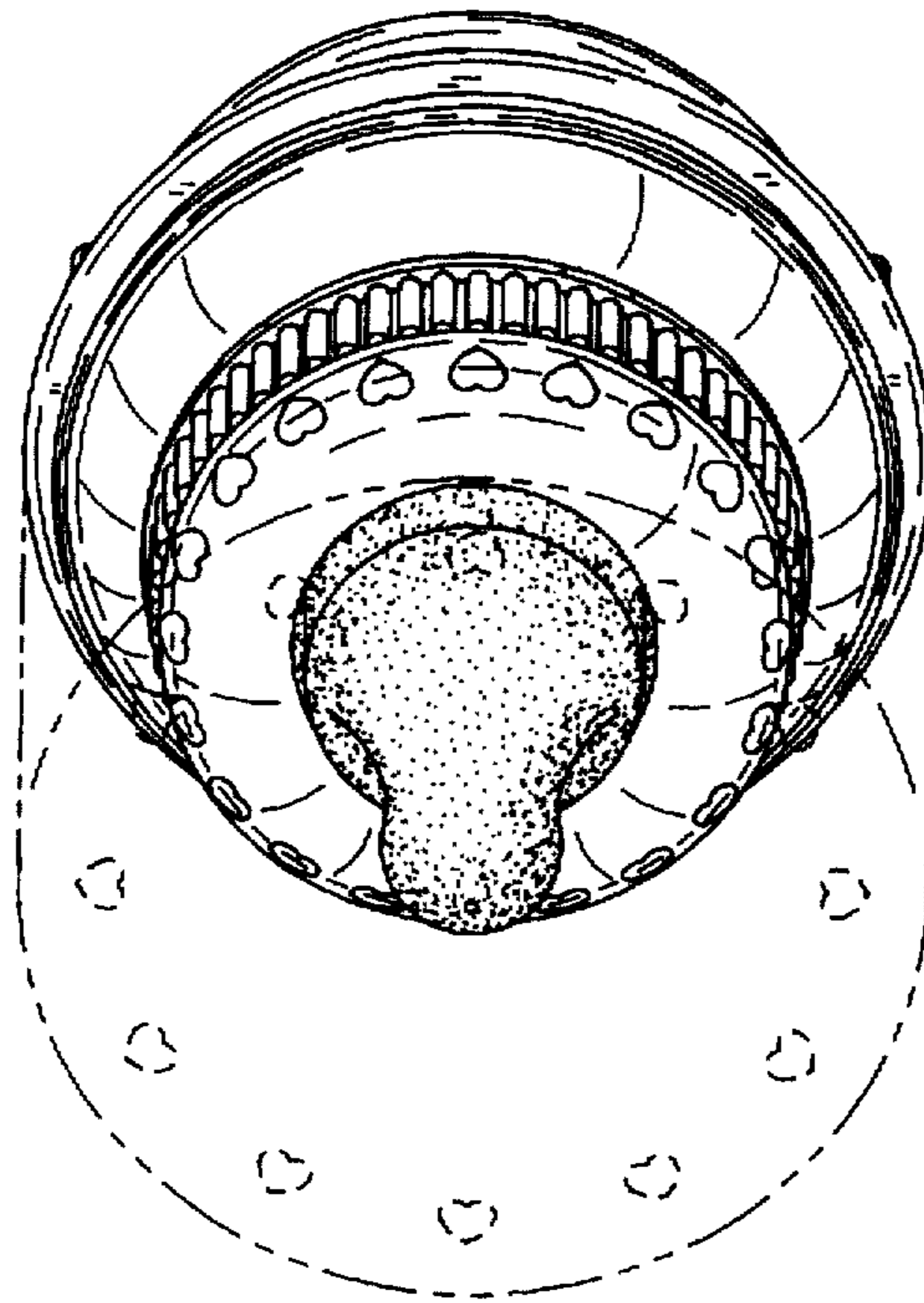


FIG. 4

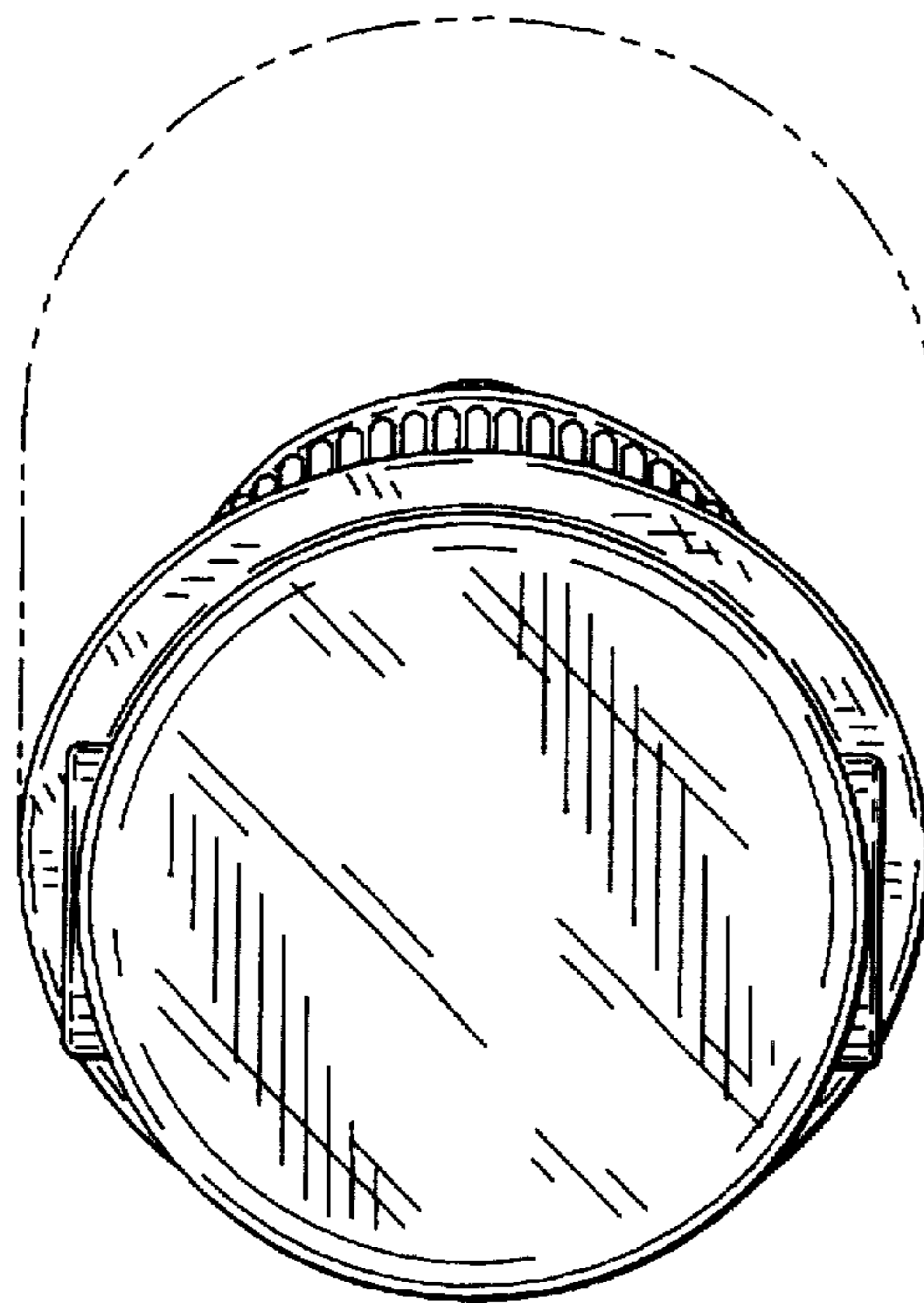


FIG. 5

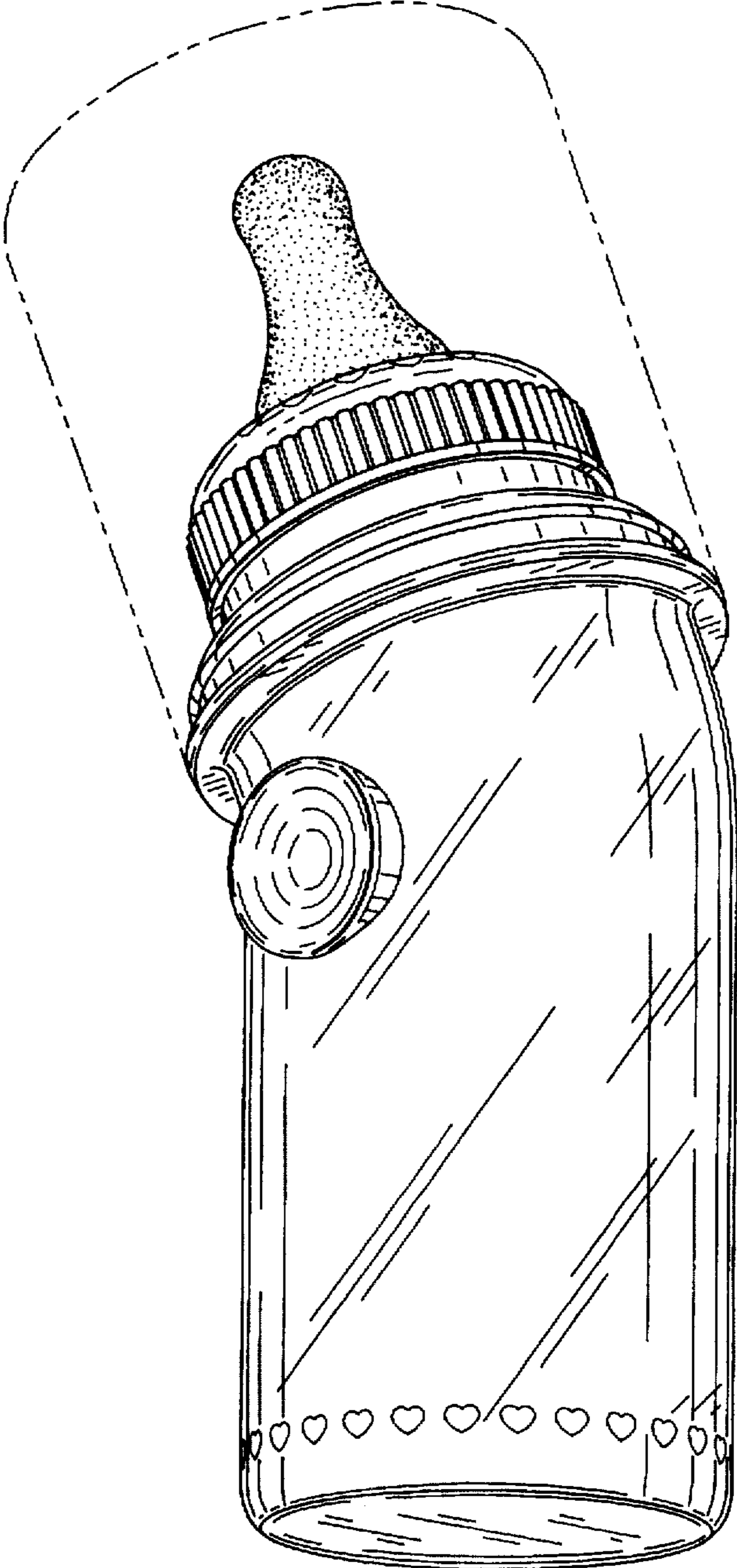


FIG. 6

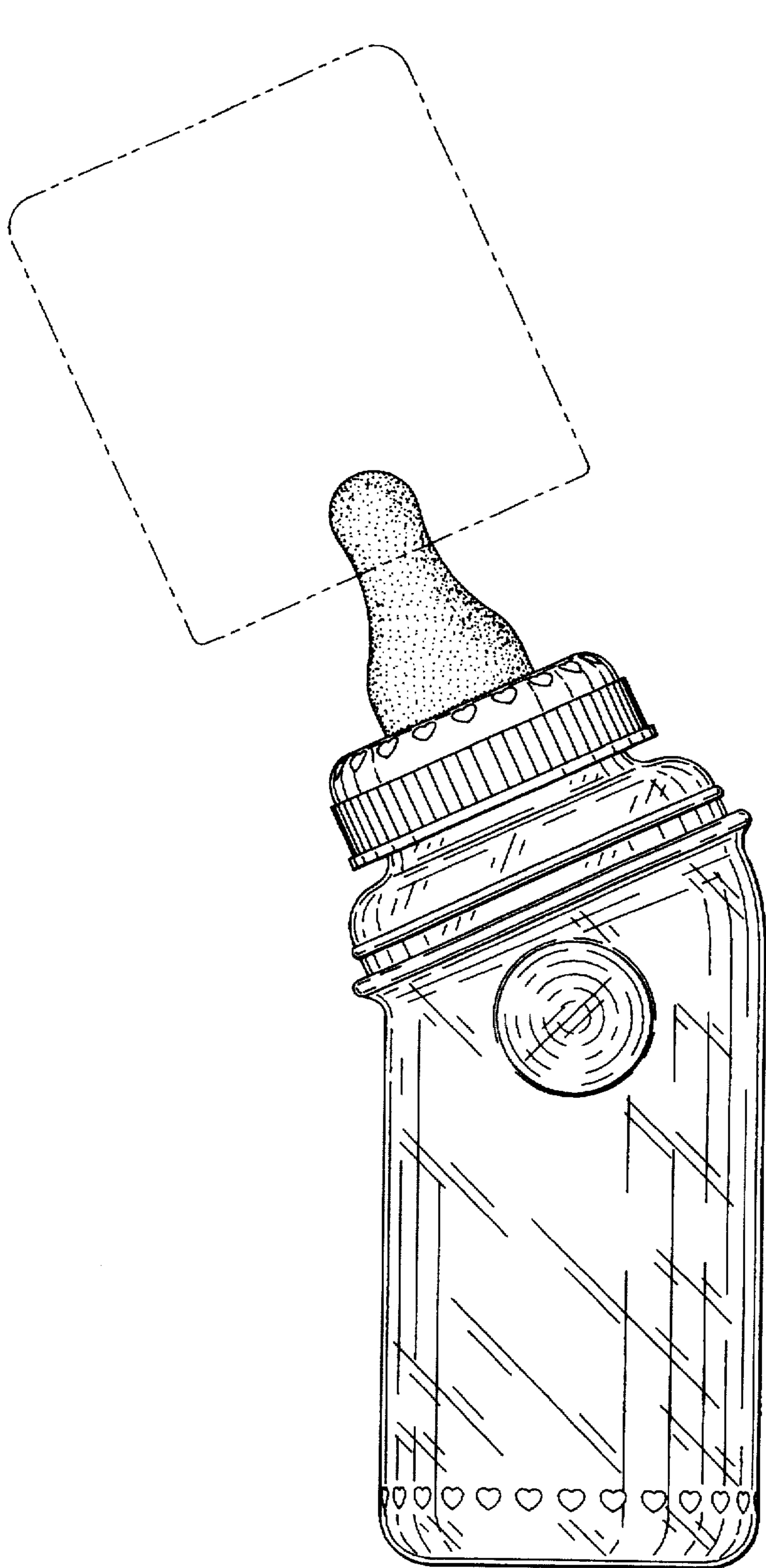


FIG. 7

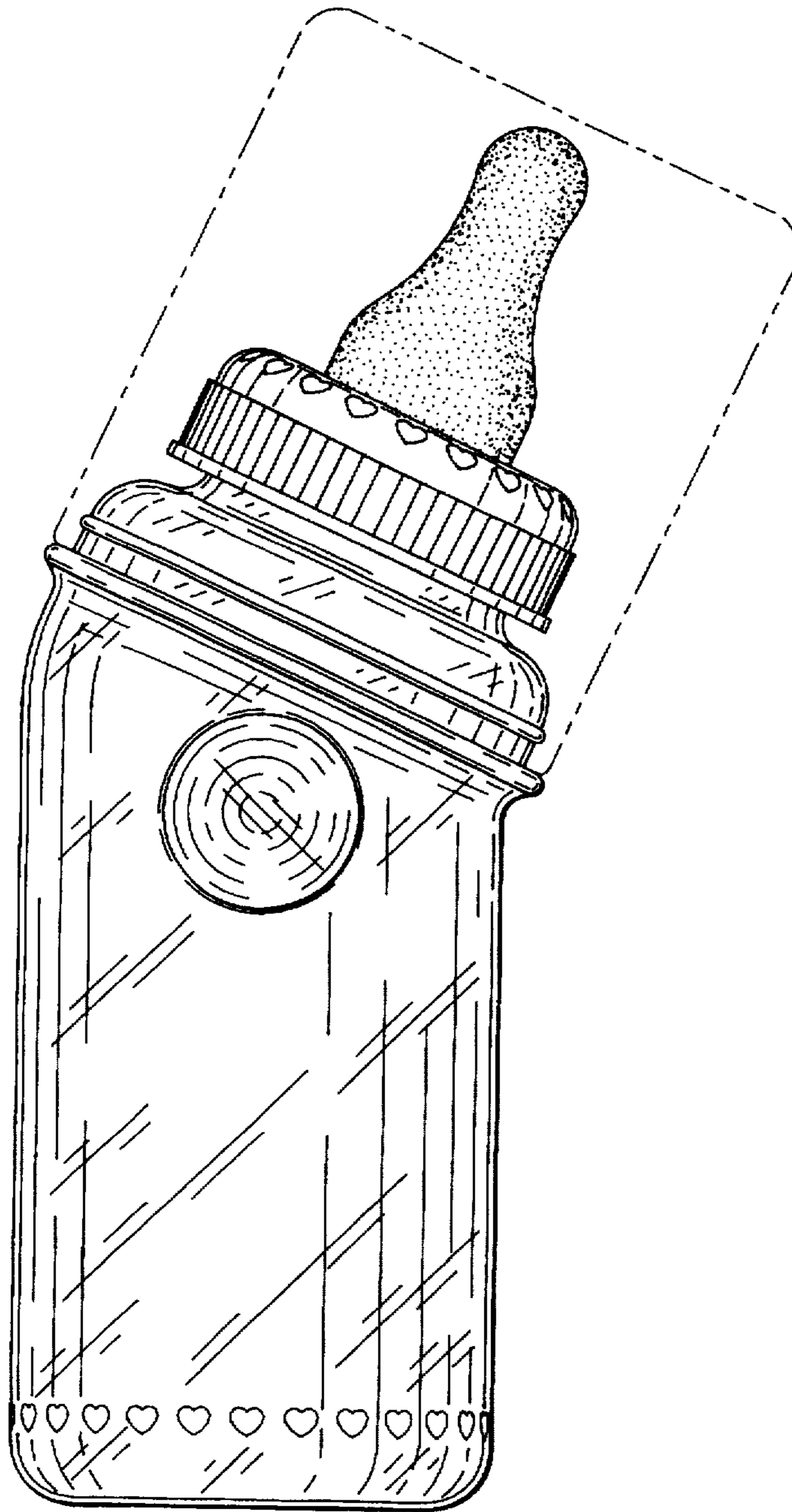


FIG. 8