

US00D389579S

United States Patent [19]

Faddis et al.

[11] Patent Number: **Des. 389,579**

[45] Date of Patent: ****Jan. 20, 1998**

[54] **ERGONOMIC TONGUE CLEANER**

5,217,475 6/1993 Kuber 606/161

[75] Inventors: **Kelly A. Faddis, Sandy; Ashok C. Khandkar; Sudhir V. Nadkarni**, both of Salt Lake City, all of Utah

Primary Examiner—Doris Clark
Attorney, Agent, or Firm—K. S. Cornaby

[73] Assignee: **Bofa, LLC**, Salt Lake City, Utah

[57] **CLAIM**

[**] Term: **14 Years**

The ornamental design for an ergonomic tongue cleaner, as shown.

[21] Appl. No.: **61,829**

DESCRIPTION

[22] Filed: **Oct. 31, 1996**

FIG. 1 is a perspective view taken from the top, front and right side of an ergonomic tongue cleaner showing our new design;

[51] LOC (6) Cl. **25-02**

FIG. 2 is a top plan view thereof;

[52] U.S. Cl. **D24/147**

FIG. 3 is a bottom plan view thereof;

[58] Field of Search D24/147; 606/161

FIG. 4 is a right side elevational view thereof;

FIG. 5 is a left side elevational view thereof;

[56] **References Cited**

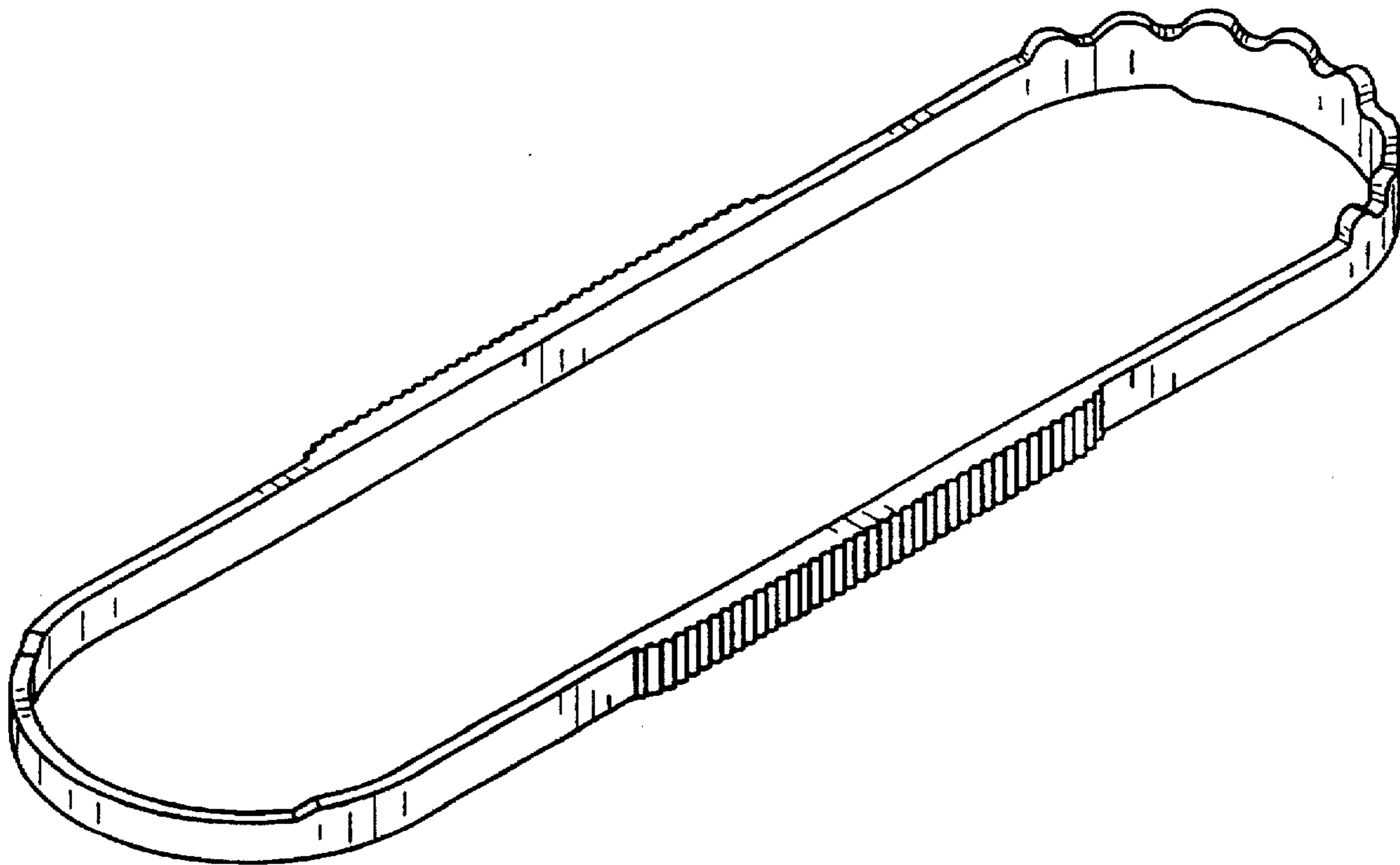
FIG. 6 is a rear elevational view thereof; and,

FIG. 7 is a front elevational view thereof.

U.S. PATENT DOCUMENTS

D. 301,372 5/1989 Tsen D24/147

1 Claim, 2 Drawing Sheets



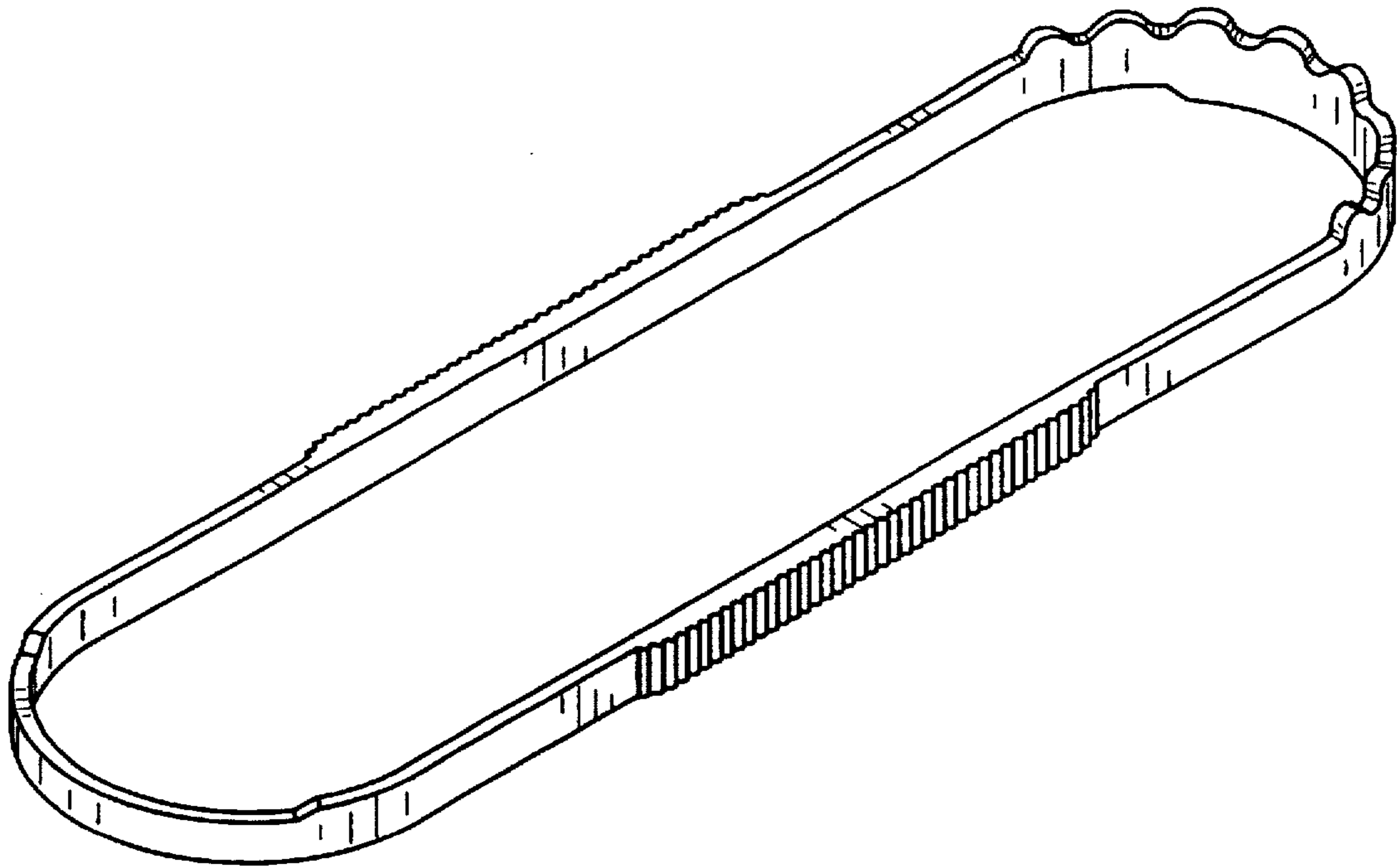


Fig. 1

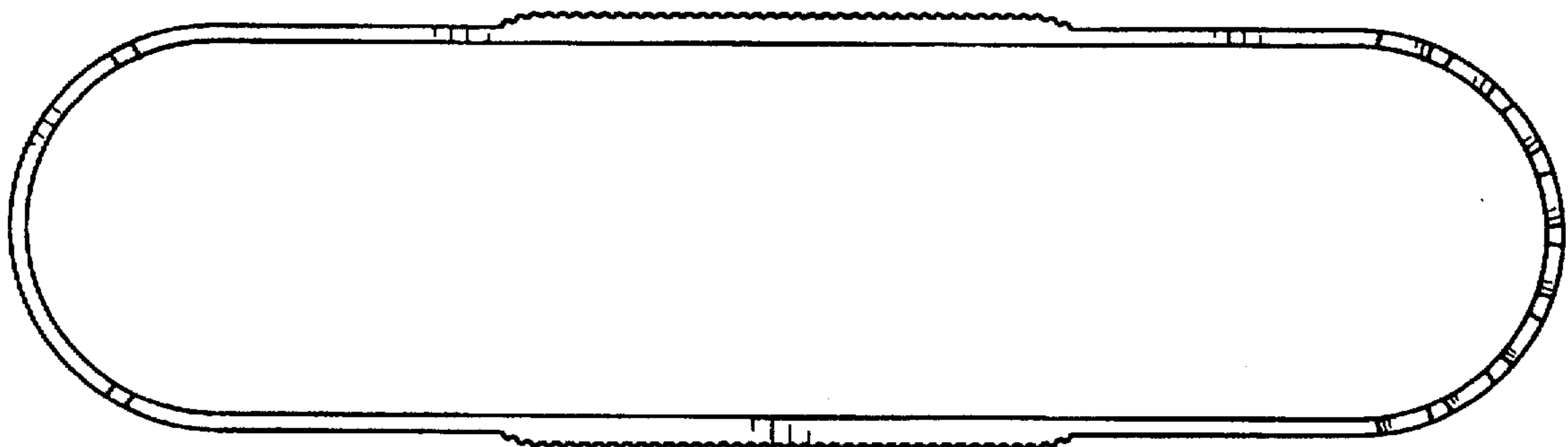


Fig. 2

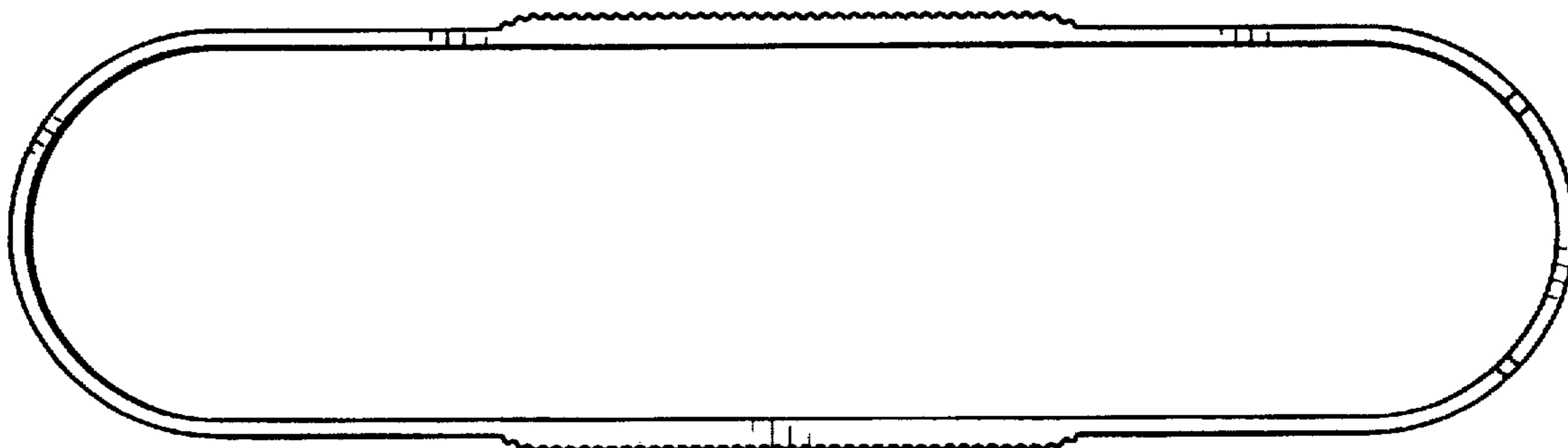


Fig. 3



Fig. 4



Fig. 5



Fig. 6



Fig. 7