

US00D389577S

United States Patent [19]

Grasfield et al.

[11] Patent Number: **Des. 389,577**

[45] Date of Patent: ****Jan. 20, 1998**

[54] HOUSING ELEMENT OF A STETHOSCOPE

5,010,889	4/1991	Bredesen et al.	128/715
5,025,809	6/1991	Johnston et al.	128/715
5,218,969	6/1993	Bredesen et al.	128/710

[76] Inventors: **James A. Grasfield**, 235 Moose Hill Pkwy., Sharon, Mass. 02067; **David E. Winston**, 7 Wainwright Rd. #15, Winchester, Mass. 01890; **Peter R. H. Stark**; **Daniela Steinhubel**, both of 41 Bonad Rd., Stoneham, Mass. 02180

Primary Examiner—Louis S. Zarfaz
Assistant Examiner—Frank Martinez
Attorney, Agent, or Firm—Wolf, Greenfield & Sacks, P.C.; James H. Morris

[**] Term: **14 Years**

[57] CLAIM

[21] Appl. No.: **61,331**

The ornamental design for a housing element of a stethoscope, as shown and described.

[22] Filed: **Oct. 22, 1996**

DESCRIPTION

[51] LOC (6) Cl. **24-02**

[52] U.S. Cl. **D24/134**

[58] Field of Search D24/135; 181/126, 181/131, 133; 381/67

FIG. 1 is a perspective view, at a reduced scale, showing a first embodiment of our new design for the housing element of a stethoscope;

FIG. 2 is a front view thereof;

FIG. 3 is an right side view thereof;

FIG. 4 is a left side view thereof;

FIG. 5 is a rear view thereof;

FIG. 6 is a top plan view thereof;

FIG. 7 is a bottom plan view thereof;

FIG. 8 is a front view showing a second embodiment of the housing element of a stethoscope;

FIG. 9 is a right side view thereof;

FIG. 10 is a left side view thereof;

FIG. 11 is a top plan view thereof;

FIG. 12 is a rear view thereof; and,

FIG. 13 is a bottom plan view thereof.

The broken line showing of a stethoscope is for illustrative purposes only and forms no part of the claimed design.

[56] References Cited

U.S. PATENT DOCUMENTS

D. 230,212	1/1974	Hart	D24/134
D. 353,195	12/1994	Savage et al.	D24/134
2,385,221	9/1945	Minsky	381/67
3,160,708	12/1964	Andries et al.	381/67
3,247,324	4/1966	Cefaly et al.	179/1
3,455,293	7/1969	Bethune	128/2.05
3,989,895	11/1976	O'Daniel, Sr.	179/1 ST
4,528,689	7/1985	Katz	381/67
4,528,690	7/1985	Sedgwick	381/67
4,534,058	8/1985	Hower	381/67
4,770,189	9/1988	Shyu	128/773
4,783,813	11/1988	Kempka	381/67
4,821,327	4/1989	Furugard et al.	381/67
4,878,501	11/1989	Shue	128/715

1 Claim, 3 Drawing Sheets

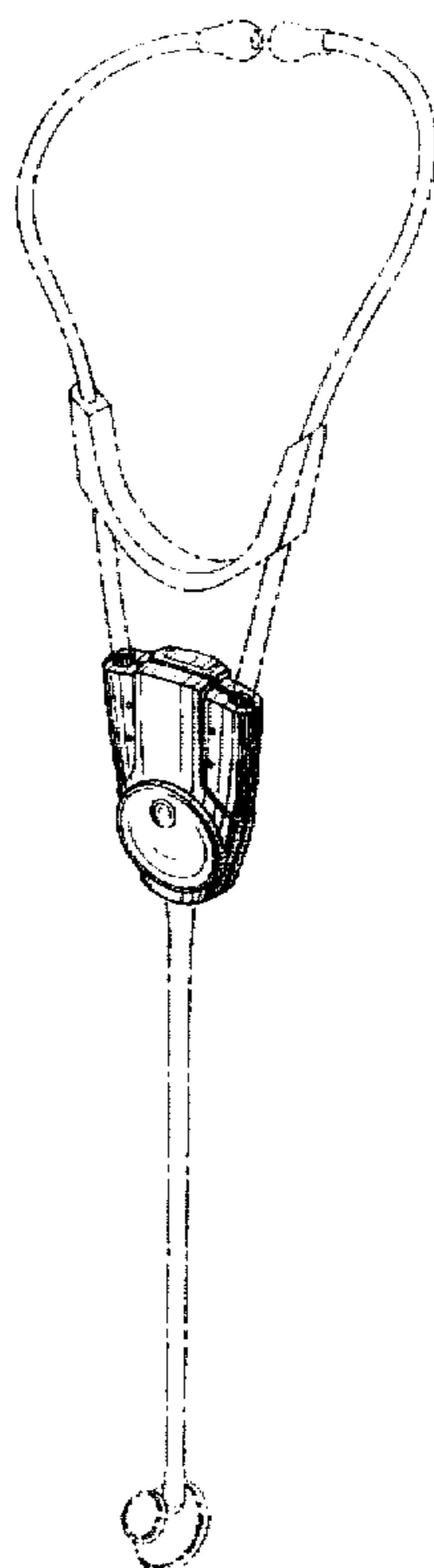
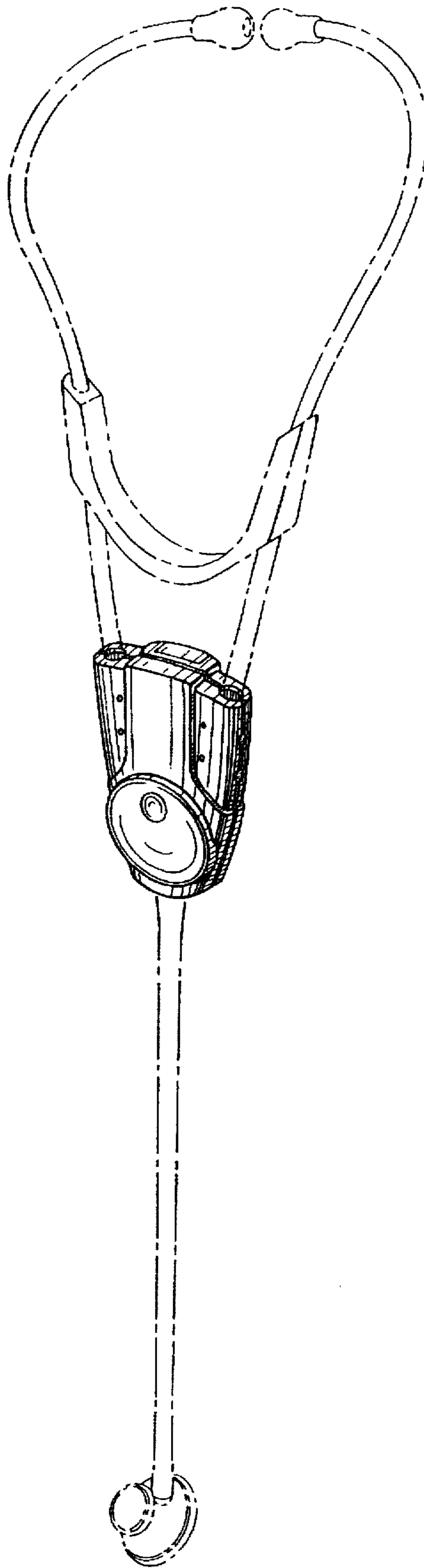


Fig. 1



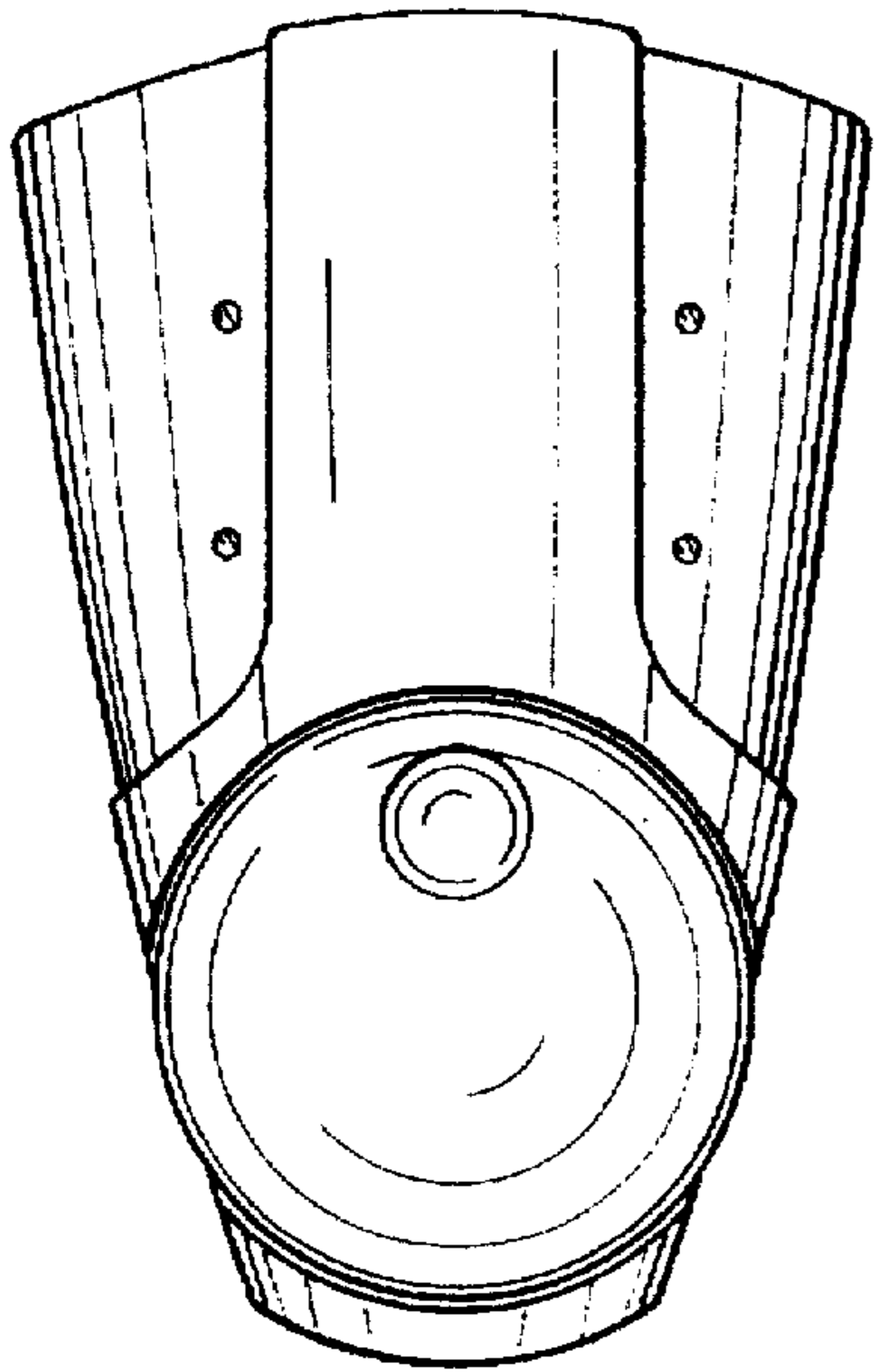


Fig. 2

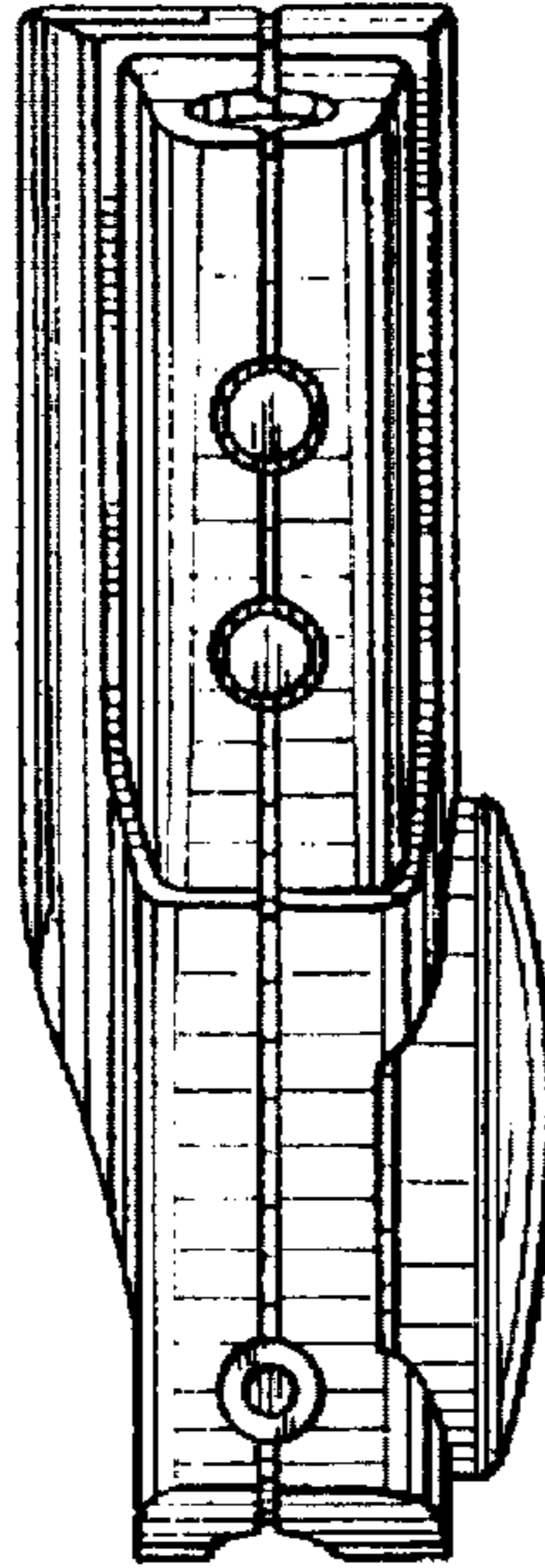


Fig. 3

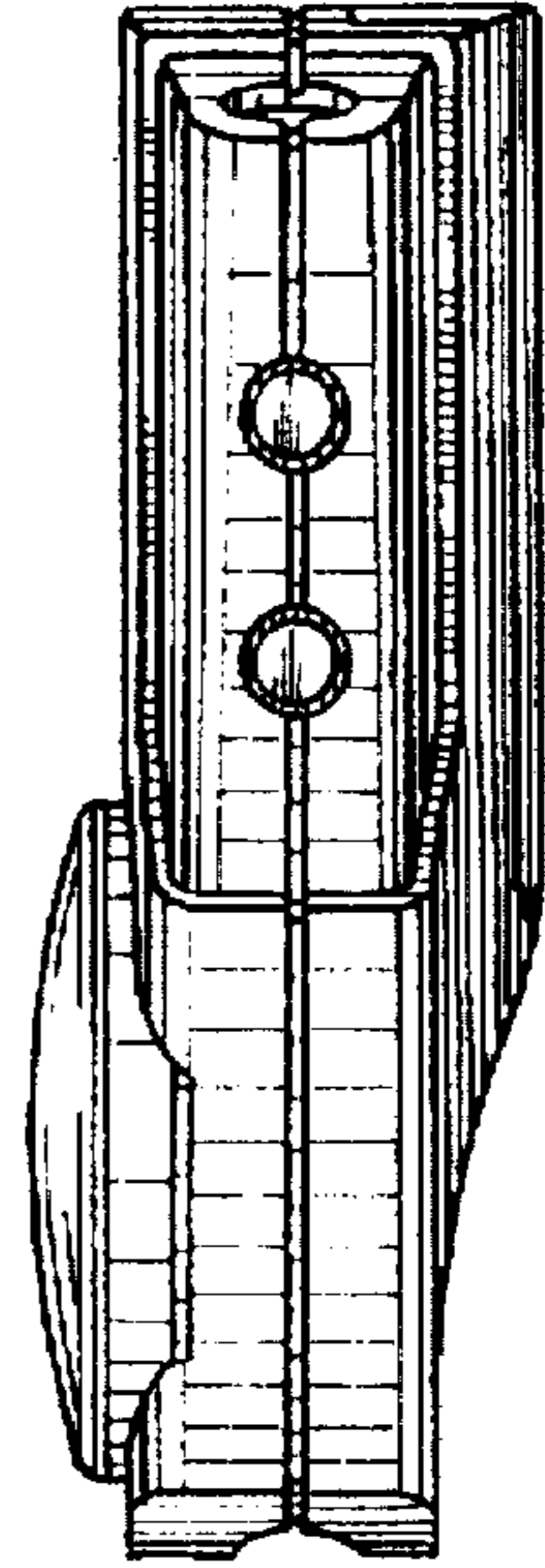


Fig. 4

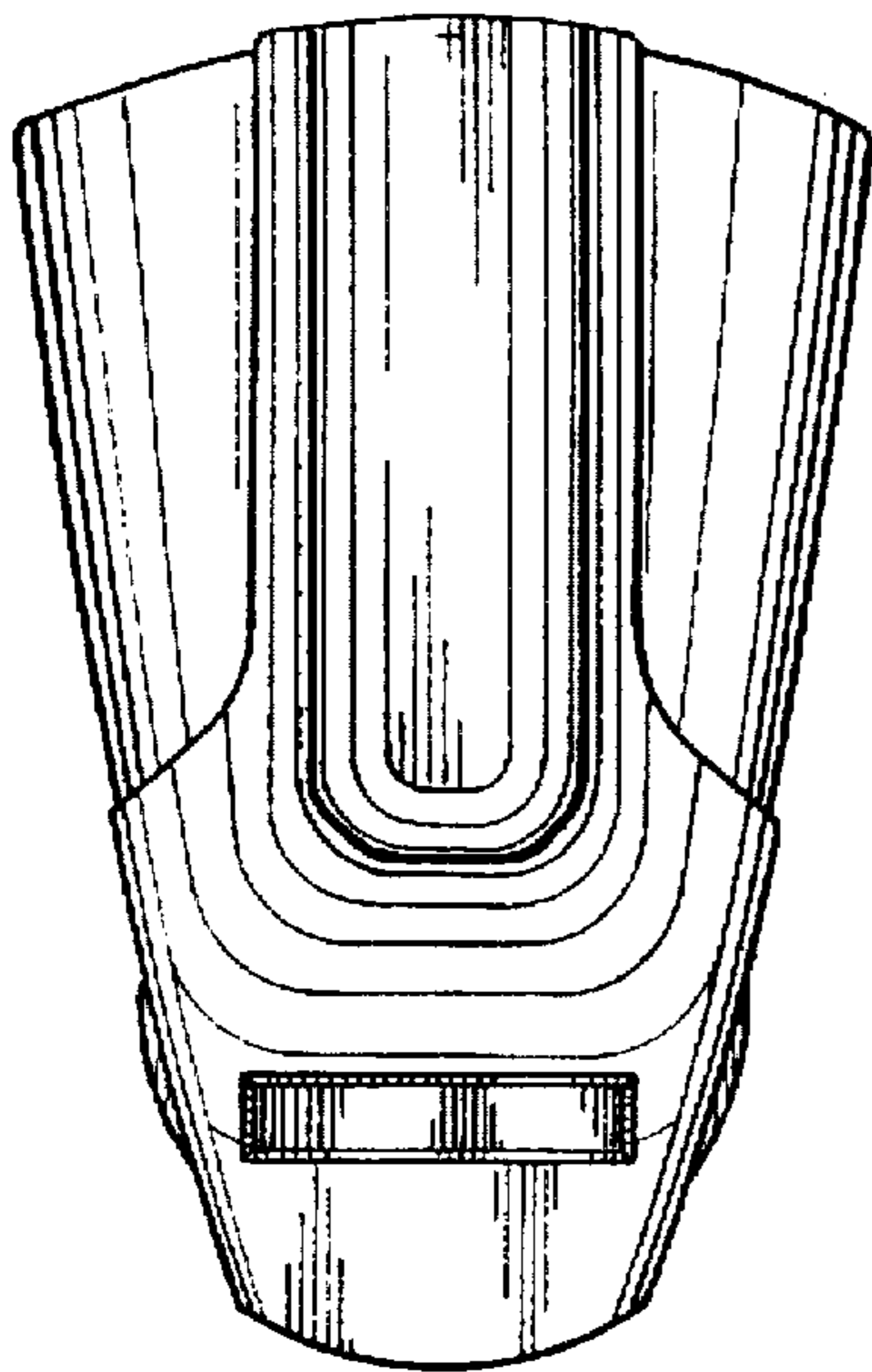


Fig. 5

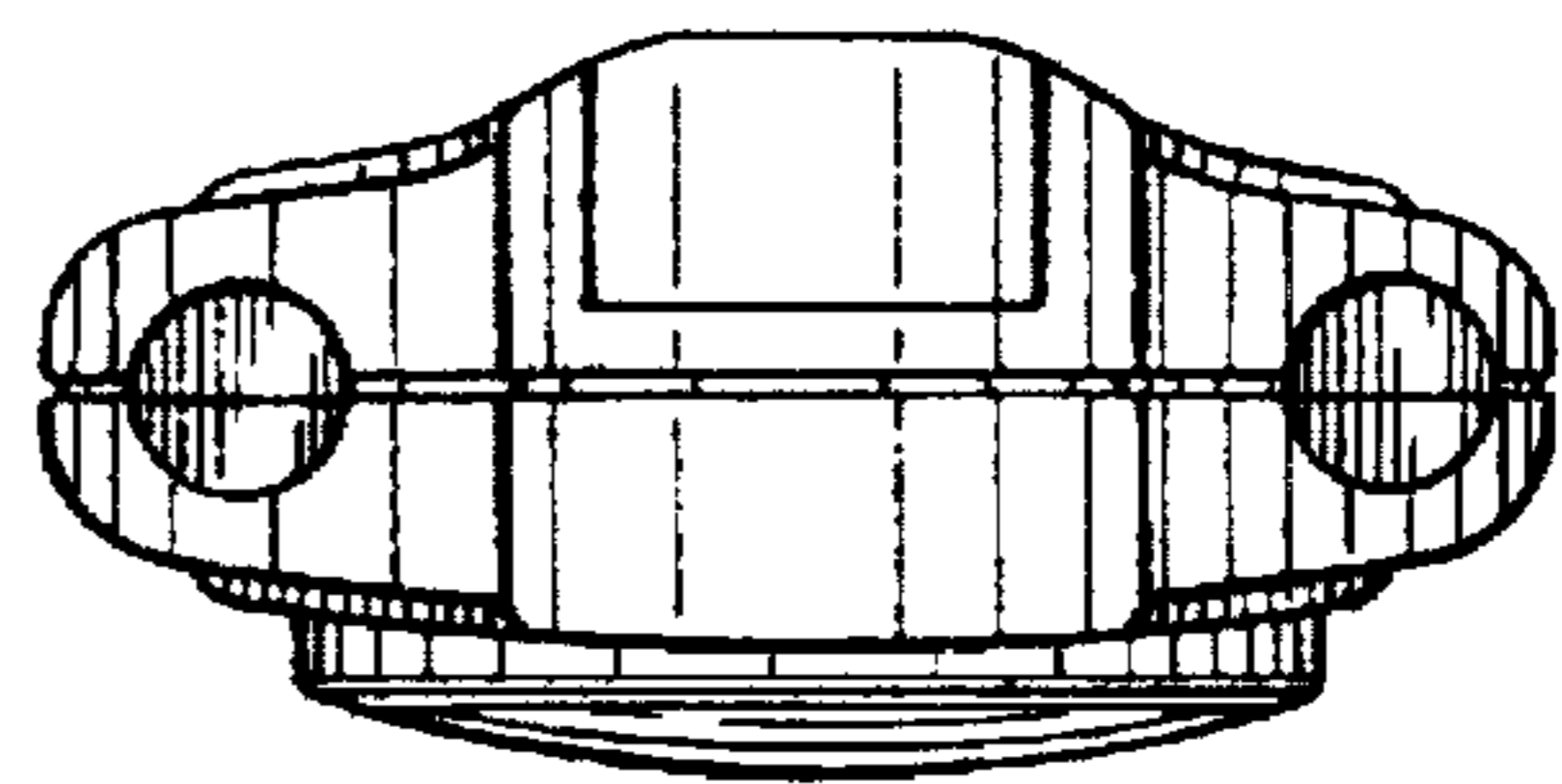


Fig. 6

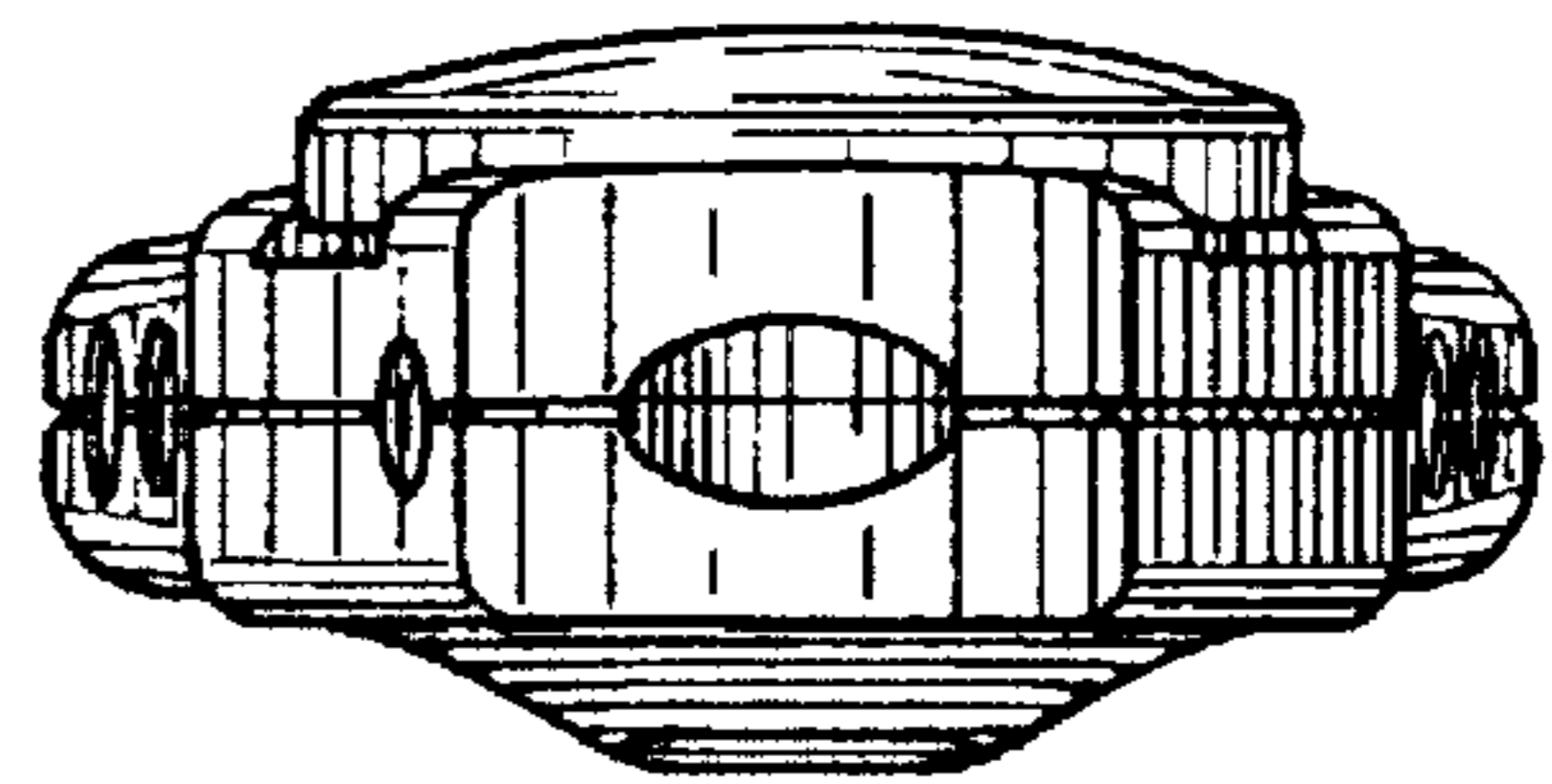


Fig. 7

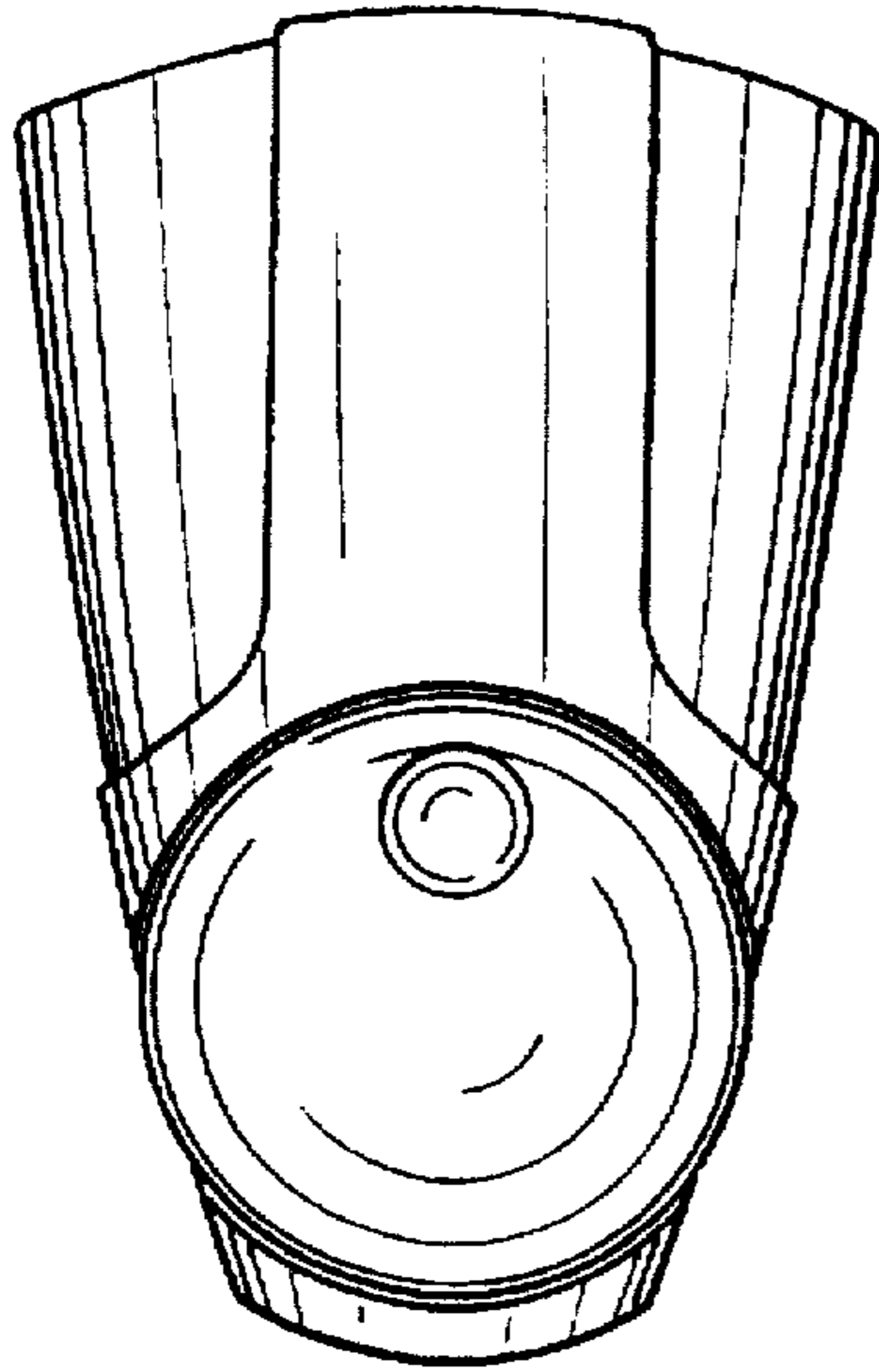


Fig. 8

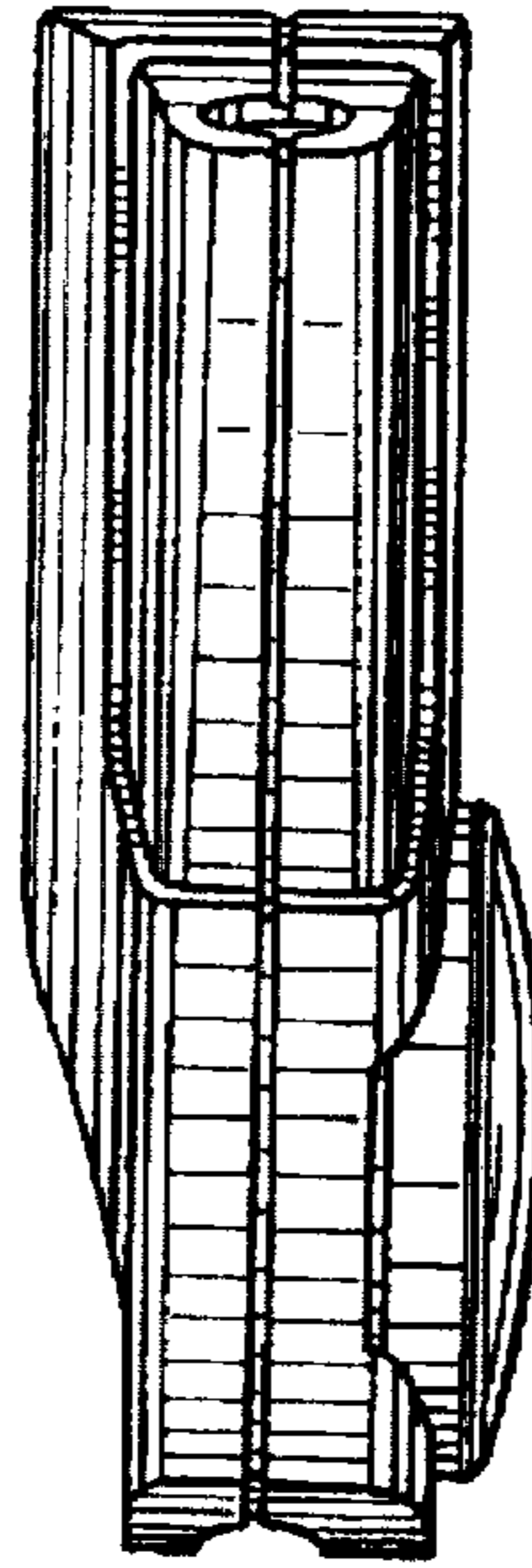


Fig. 9

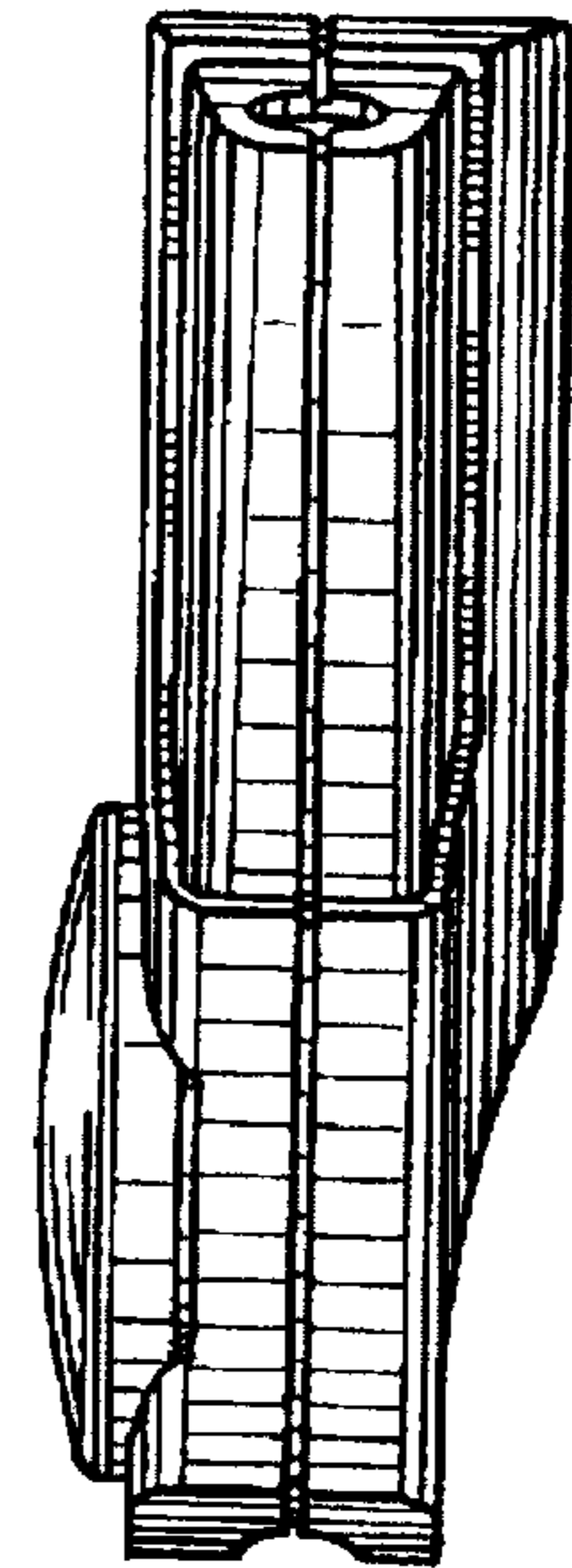


Fig. 10

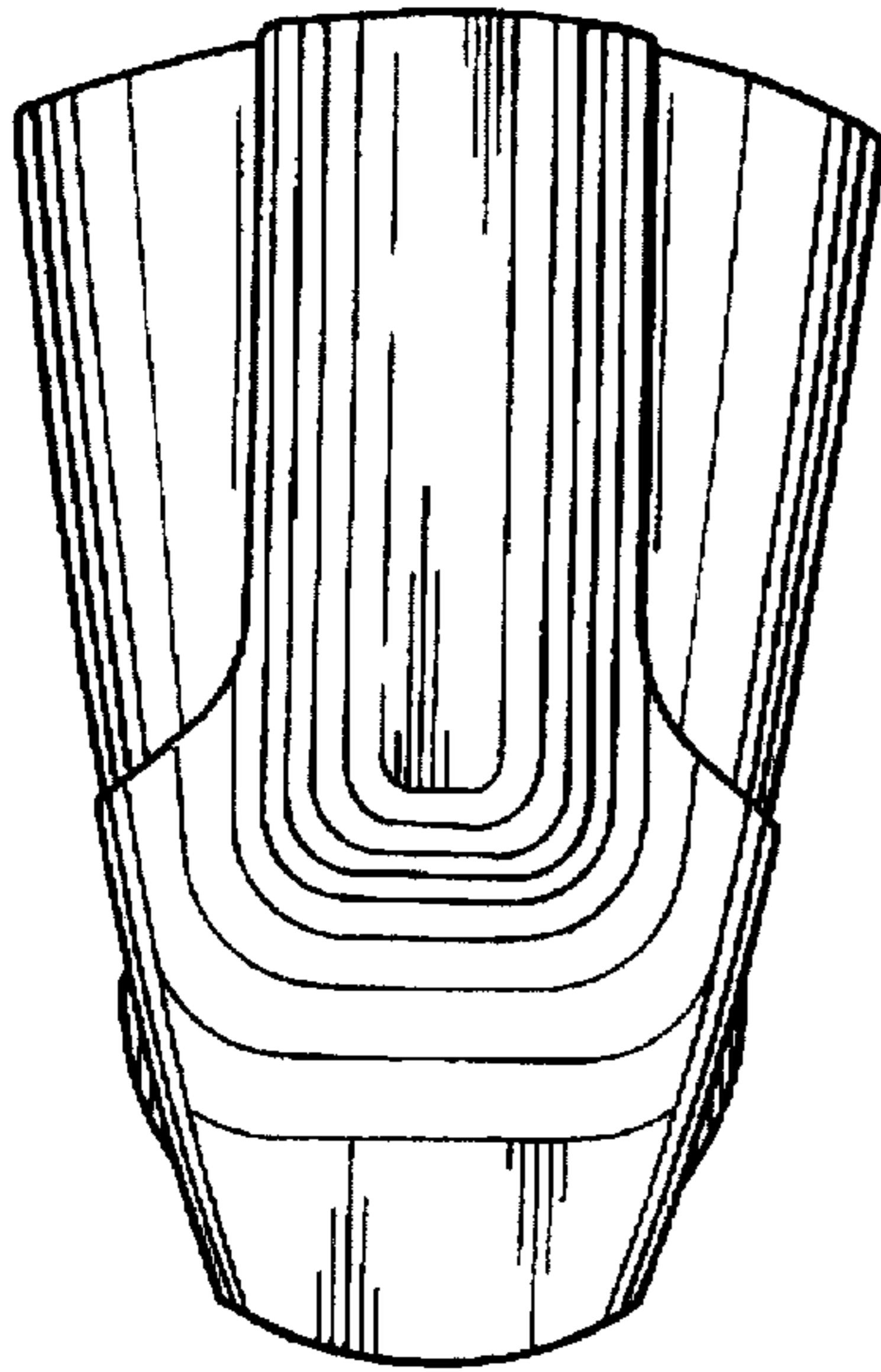


Fig. 12

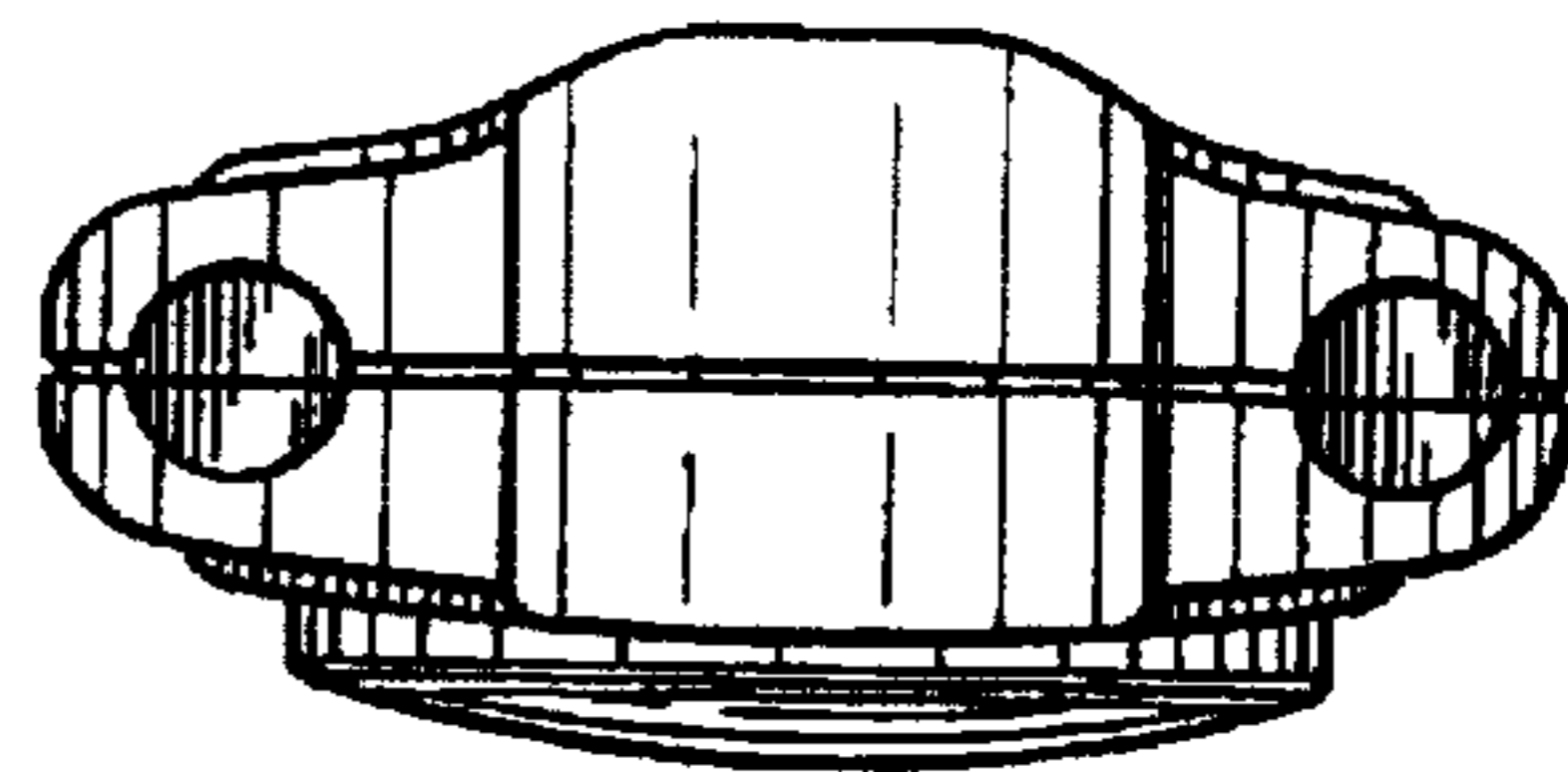


Fig. 11

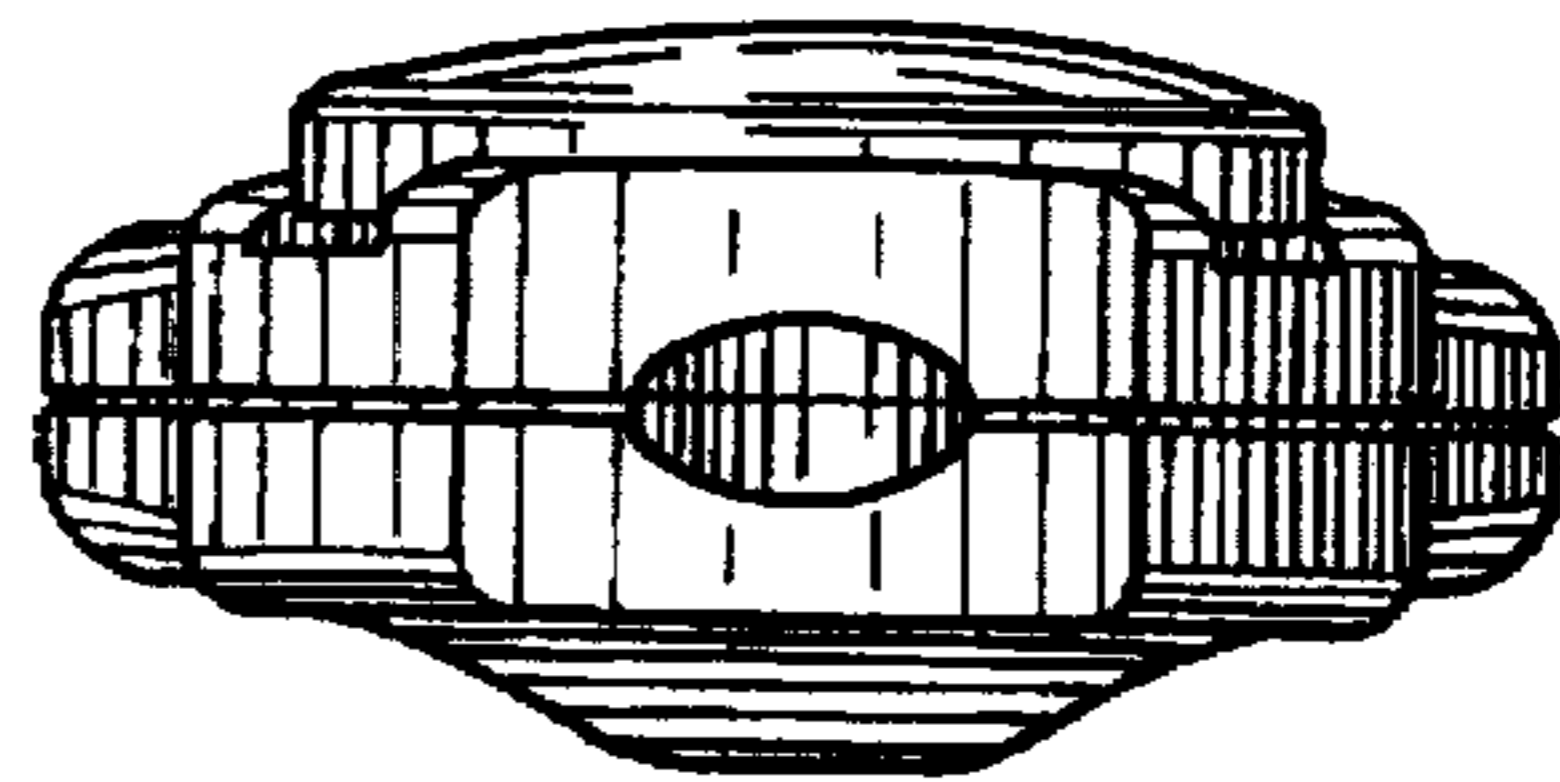


Fig. 13

UNITED STATES PATENT AND TRADEMARK OFFICE
CERTIFICATE OF CORRECTION

PATENT NO. : Des. 389,577

DATED : January 20, 1998

INVENTOR(S) : James A. Grasfield, David E. Winston, Peter R. H. Stark, Daniela Steinhubel

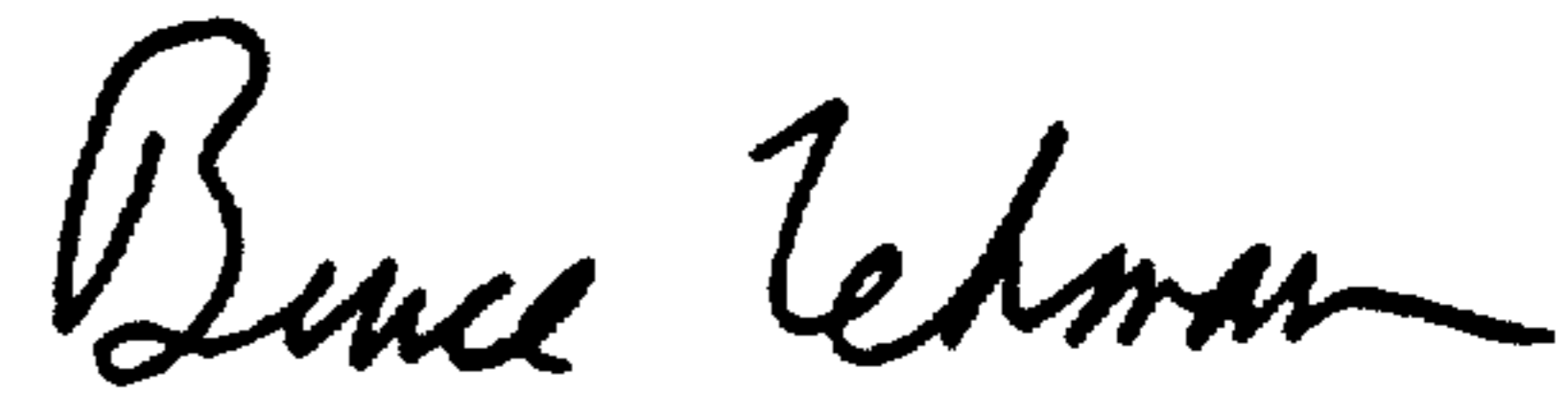
It is certified that error appears in the above-identified patent and that said Letters Patent is hereby corrected as shown below:

On the title page, insert the following:

[73] Assignee: StethTech Corporation, Sharon, Massachusetts

Signed and Sealed this
Ninth Day of June, 1998

Attest:



BRUCE LEHMAN

Attesting Officer

Commissioner of Patents and Trademarks