



US00D389574S

United States Patent [19]

[11] Patent Number: **Des. 389,574**

Emerson et al.

[45] Date of Patent: ****Jan. 20, 1998**

[54] **FINGER GRIP DEVICE FOR A LASER FIBER OPTIC DELIVERY SYSTEM**

4,726,369	2/1988	Mar	606/1
5,137,517	8/1992	Loney et al.	606/1
5,549,594	8/1996	Bruken	606/1

[75] Inventors: **Rick Emerson**, San Jose; **Douglas R. Murphy-Chutorian**; **Richard L. Mueller**, both of Sunnyvale; **Stuart D. Harman**, San Jose; **Steven A. Daniel**, Fremont, all of Calif.

Primary Examiner—Doris Clark
Attorney, Agent, or Firm—Janet Kasier Castaneda

[73] Assignee: **Eclipse Surgical Technologies, Inc.**, Sunnyvale, Calif.

[57] CLAIM

The ornamental design for a finger grip device for a laser fiber optic delivery system, as shown.

[**] Term: **14 Years**

DESCRIPTION

[21] Appl. No.: **63,126**

FIG. 1 is a front, perspective view of the finger grip device for a laser fiber optic delivery system showing our new design;

[22] Filed: **Nov. 27, 1996**

[51] LOC (6) Cl. **24-02**

FIG. 2 is a front view thereof;

[52] U.S. Cl. **D24/133**

FIG. 3 is a left side view thereof;

[58] Field of Search D24/133, 144;
385/134, 15, 25, 53, 92, 117-120, 901;
606/1, 15, 16, 161, 162, 34, 32; 604/118,
119, 35, 32, 41

FIG. 4 is a right view thereof;

FIG. 5 is a rear view thereof;

FIG. 6 is a top view thereof; and,

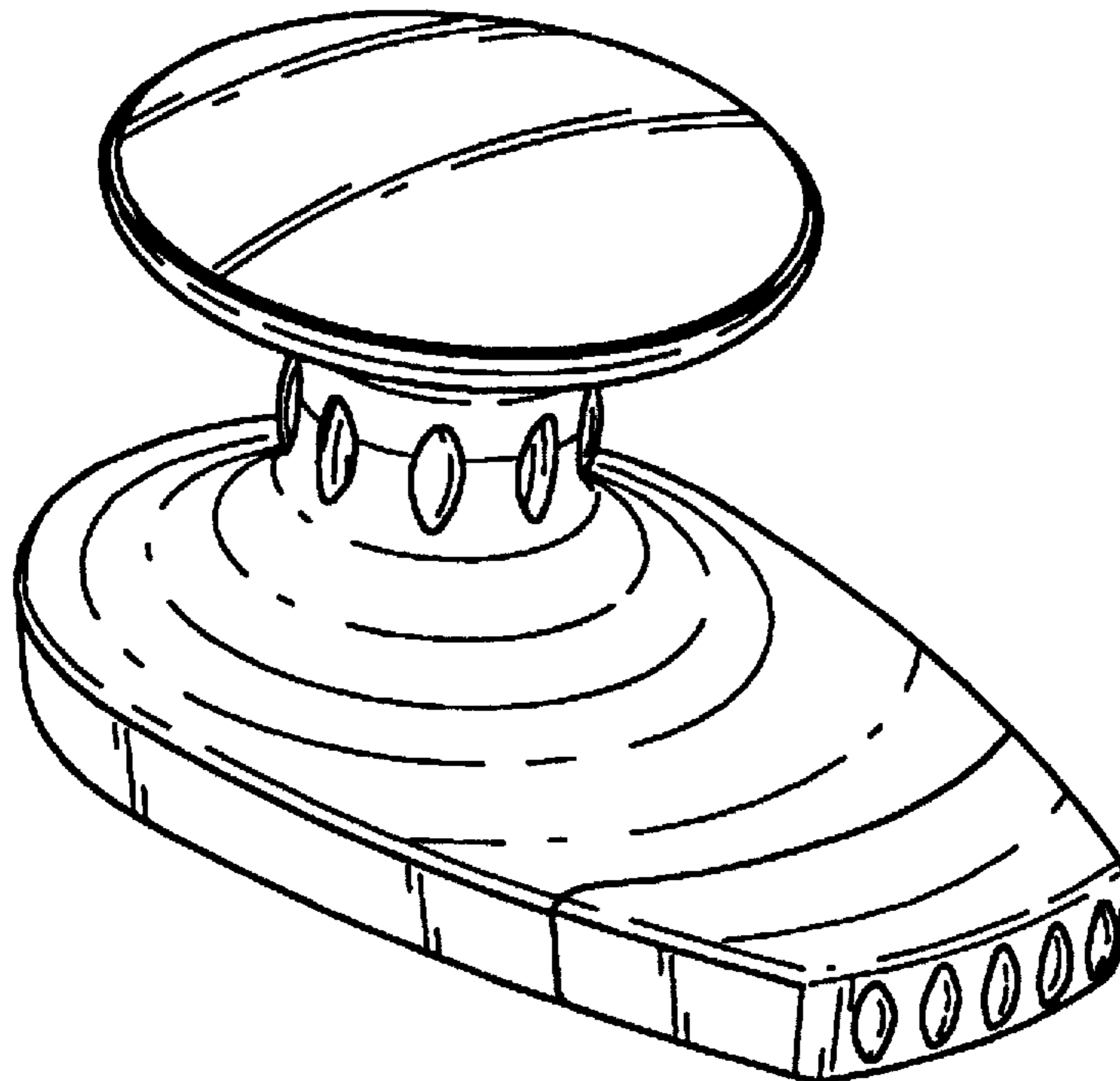
FIG. 7 is a bottom view thereof.

[56] References Cited

U.S. PATENT DOCUMENTS

D. 372,979 8/1996 Coss D24/133

1 Claim, 2 Drawing Sheets



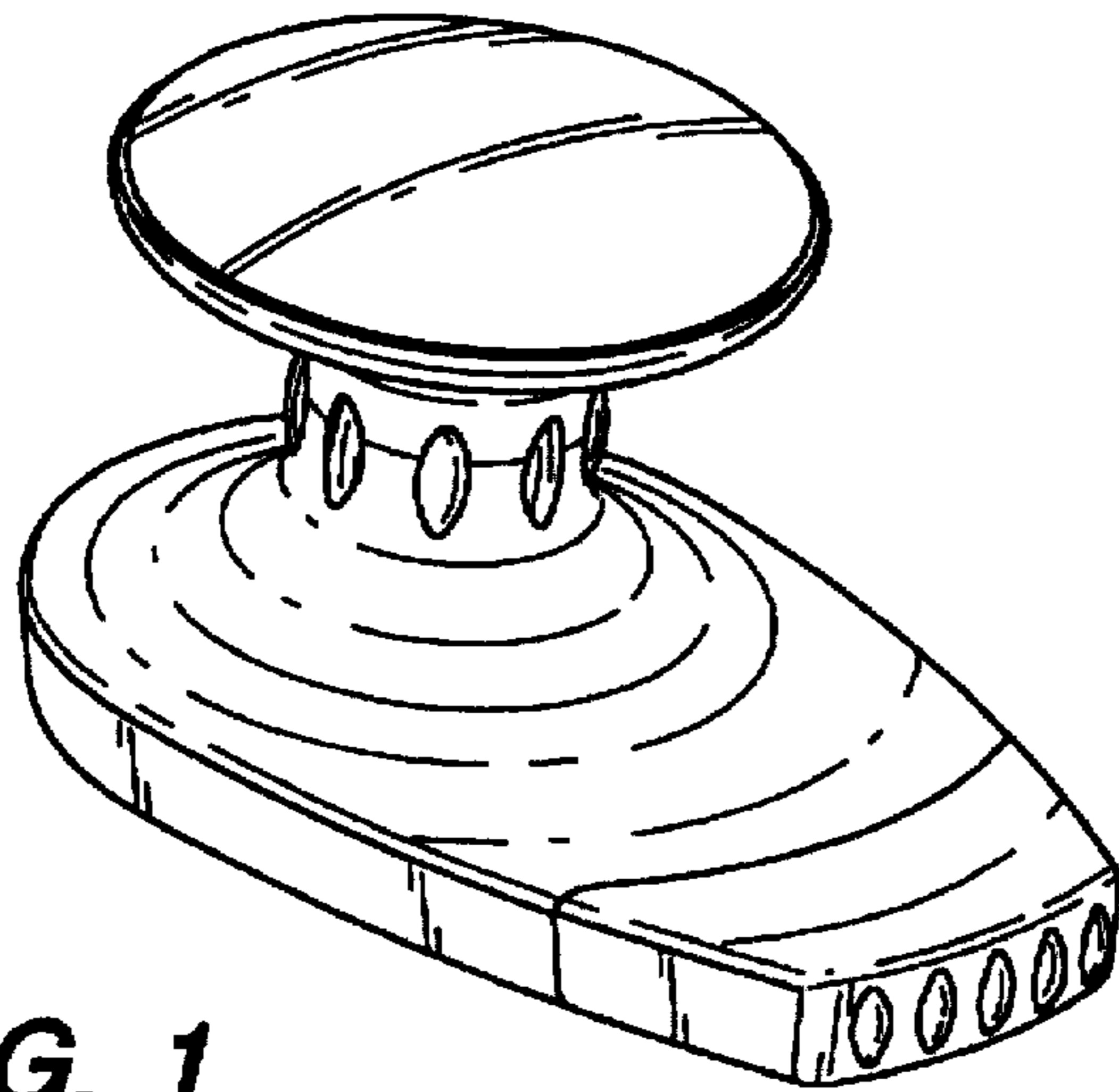


FIG. 1

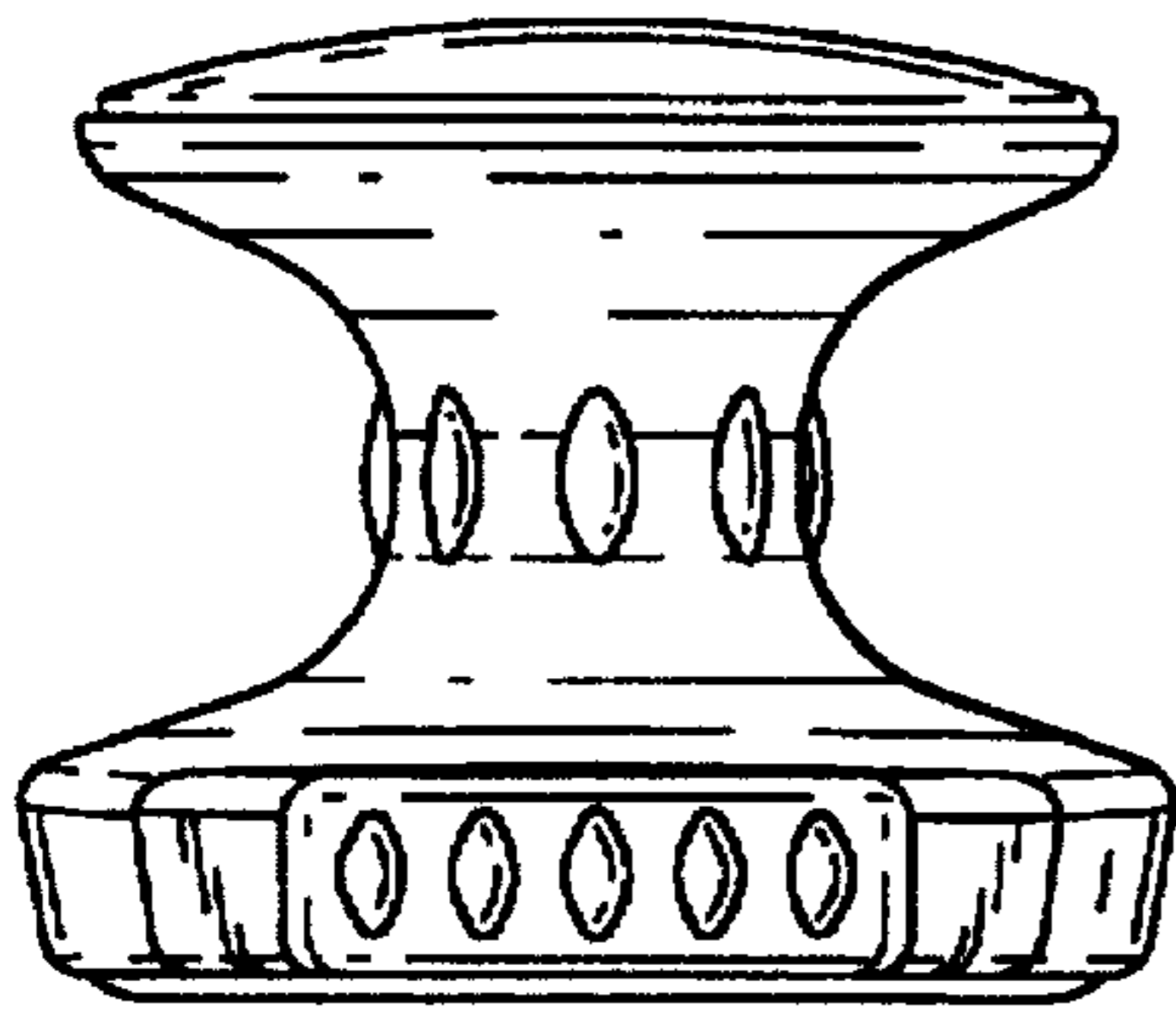


FIG. 2

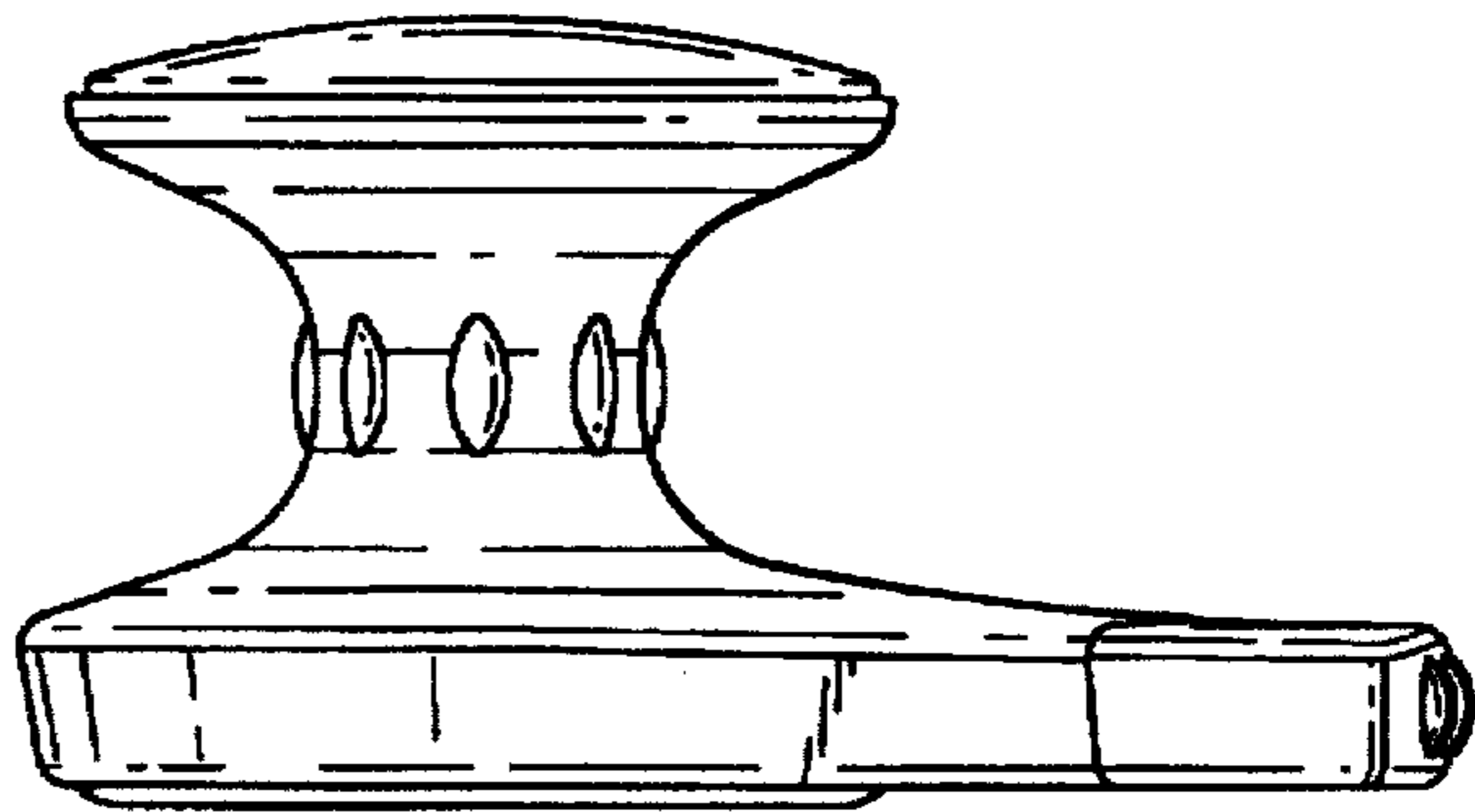


FIG. 3

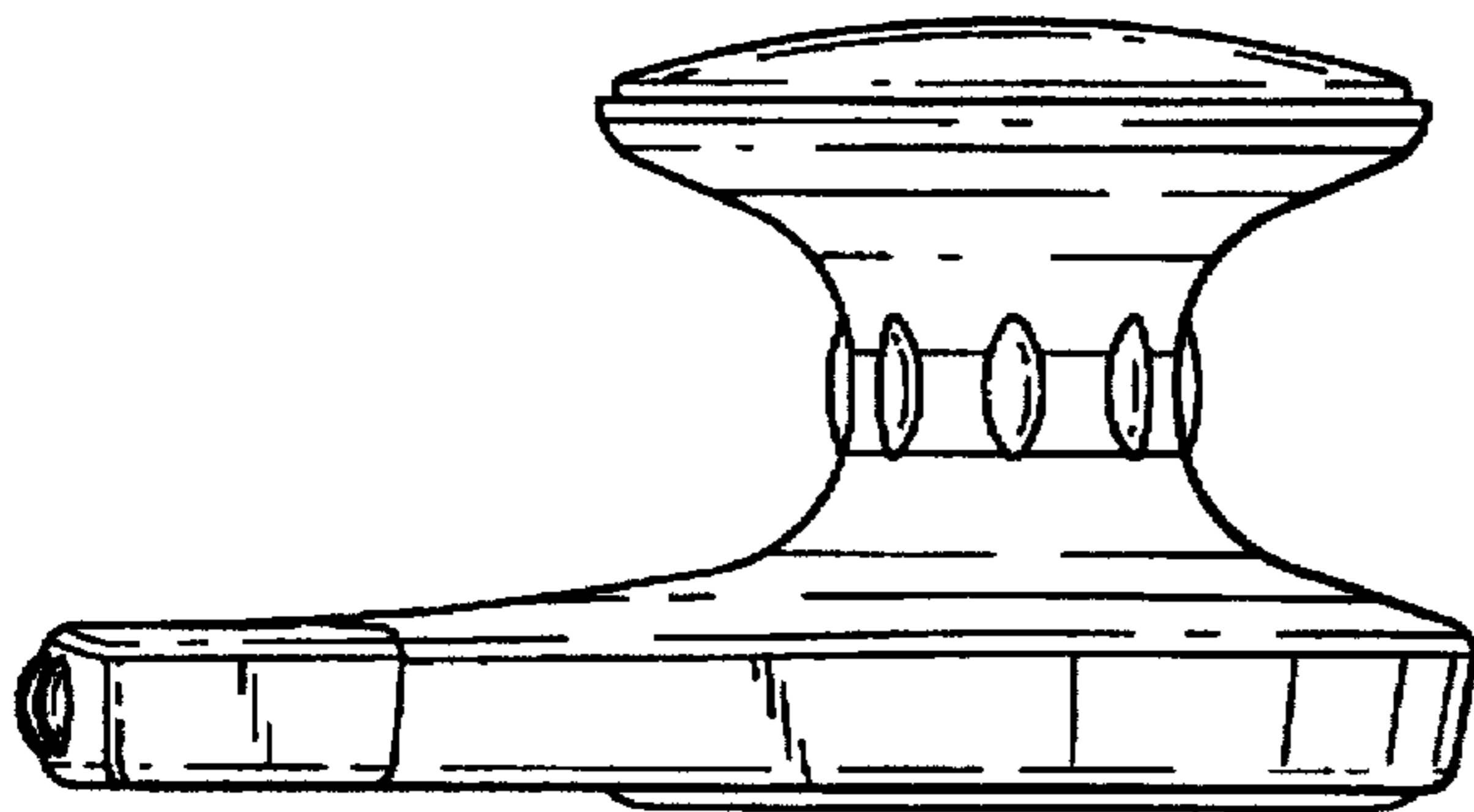


FIG. 4

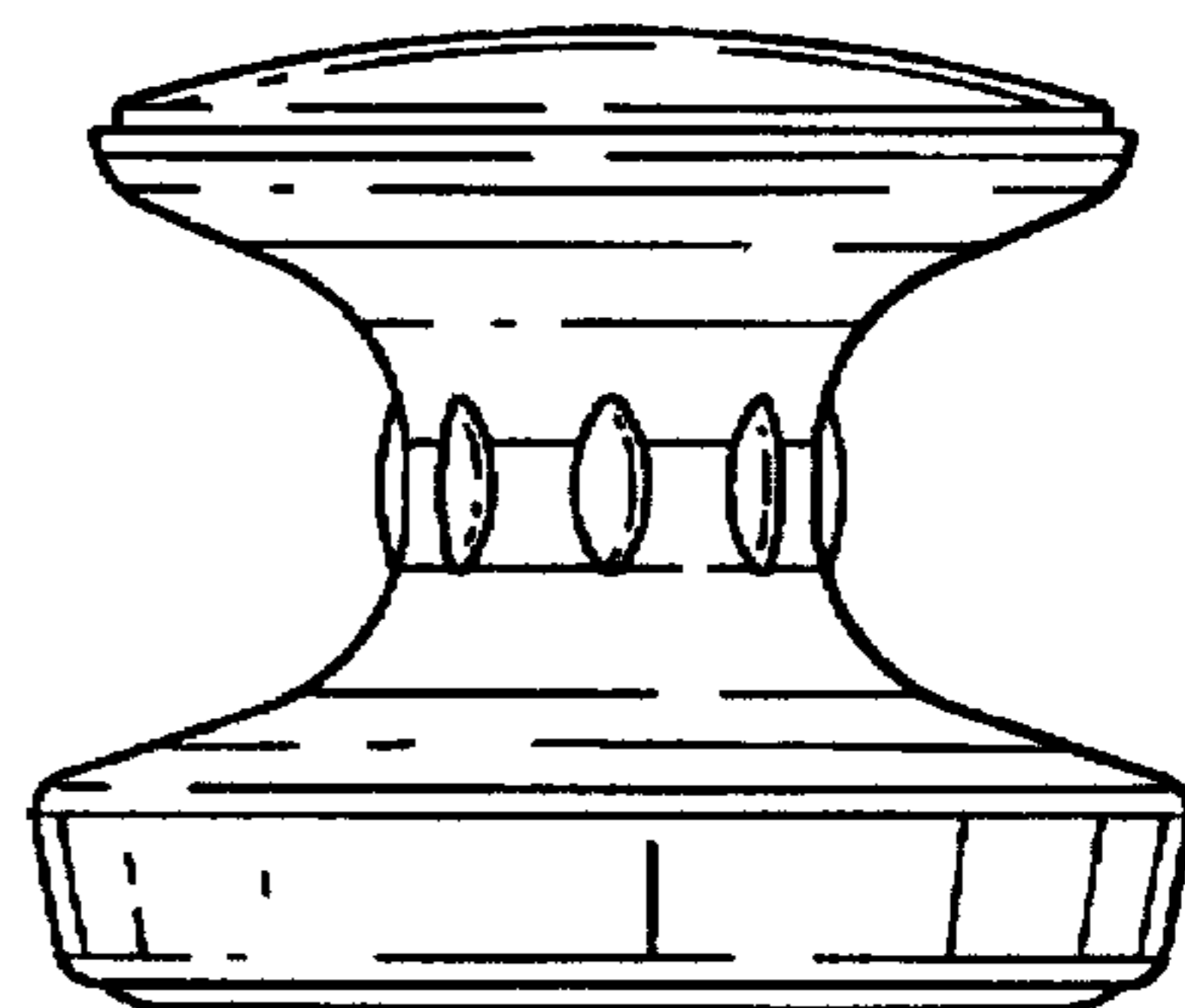


FIG. 5

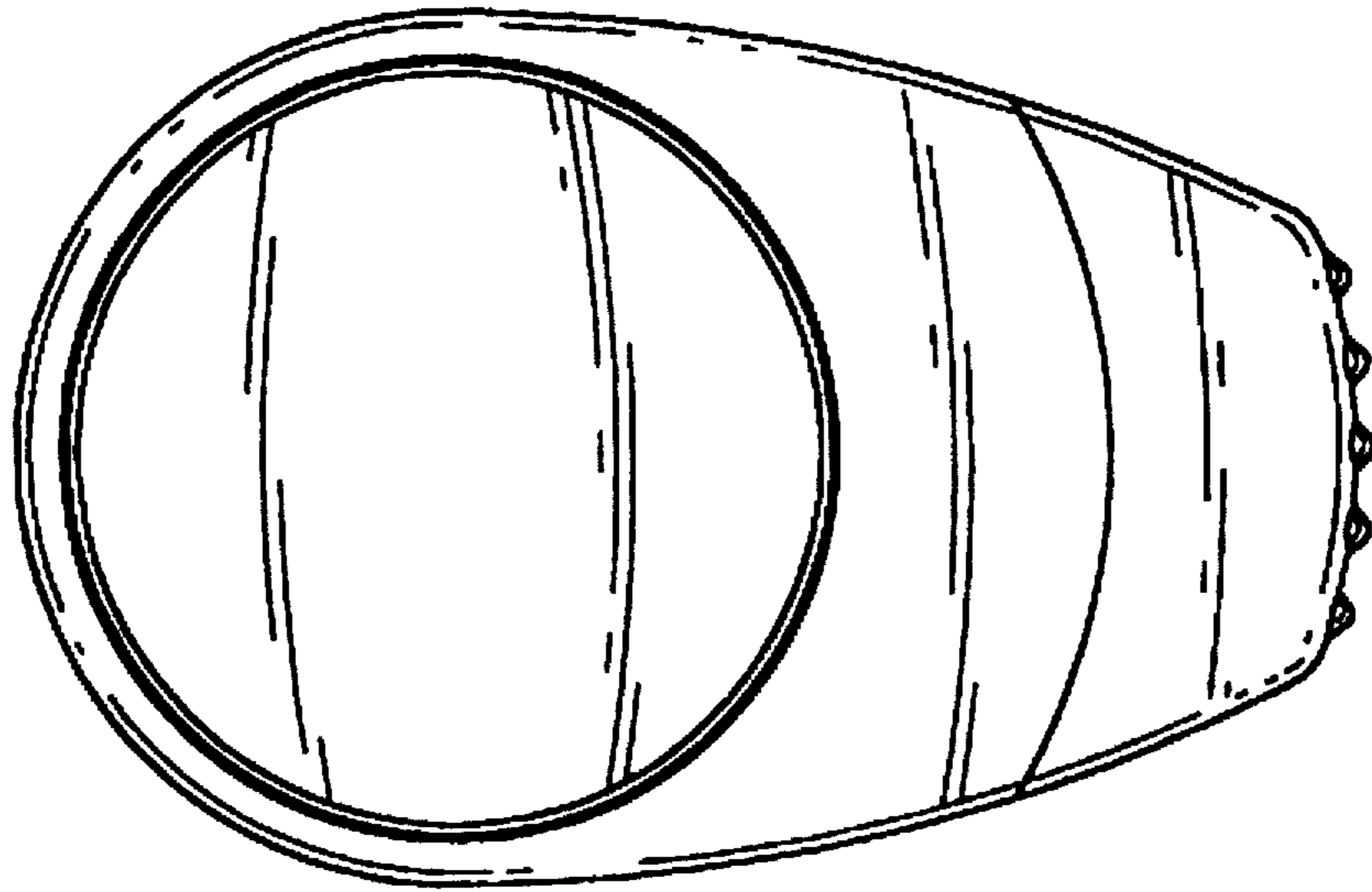


FIG. 6

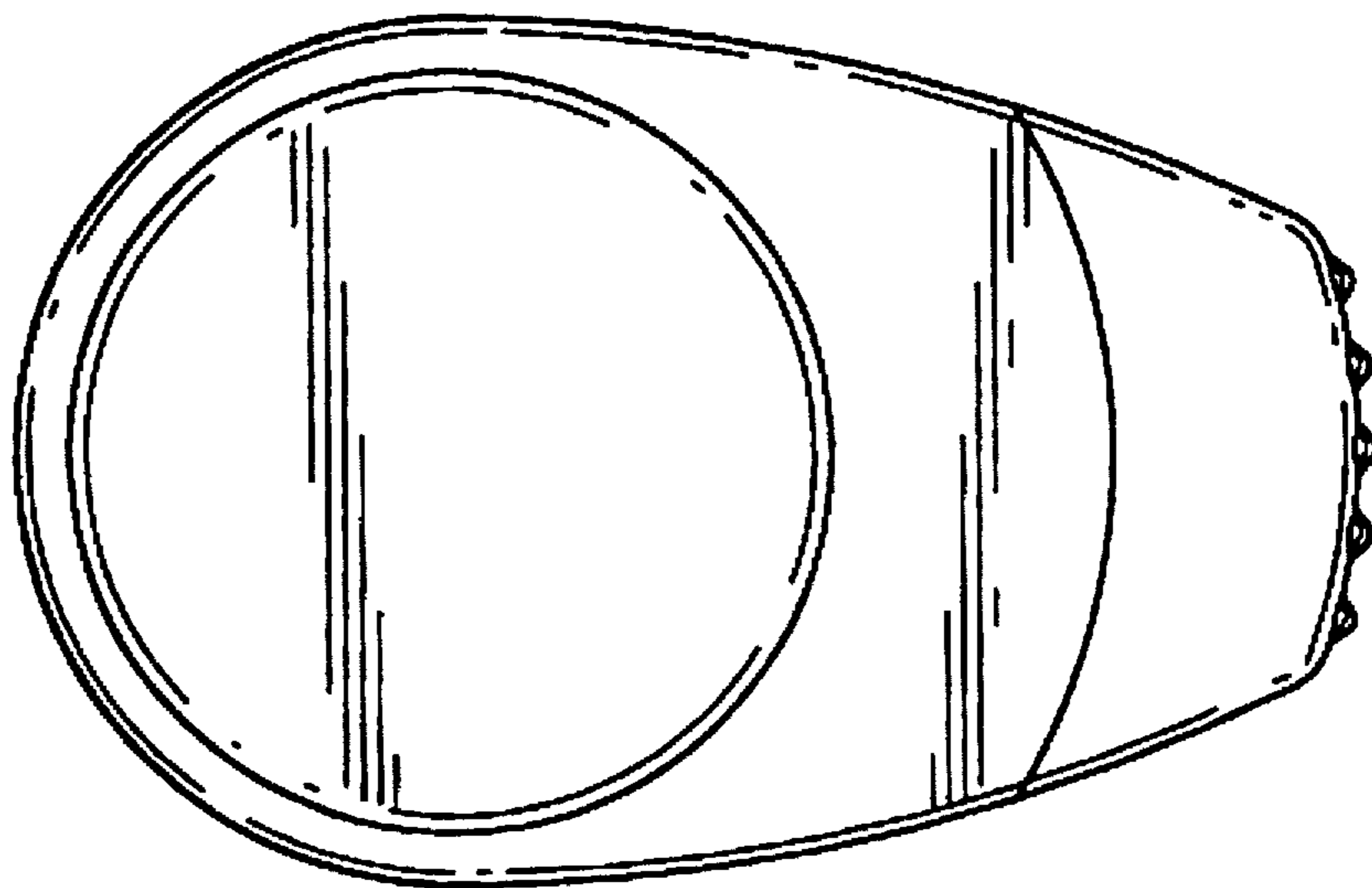


FIG. 7