

US00D389573S

**United States Patent** [19]  
**Harman et al.**

[11] **Patent Number: Des. 389,573**  
[45] **Date of Patent: \*\*Jan. 20, 1998**

[54] **HAND PIECE FOR SURGICAL LASER  
FIBER OPTIC DELIVERY SYSTEM**

5,011,483 4/1991 Sleister ..... 606/37  
5,221,279 6/1993 Cook et al. .... 606/15  
5,469,524 11/1995 Esch et al. .... 385/118

[75] **Inventors: Stuart D. Harman, San Jose; Richard  
D. Phipps, Morgan Hill, both of Calif.**

*Primary Examiner*—Doris Clark  
*Attorney, Agent, or Firm*—Janet Kaiser Castaneda

[73] **Assignee: Eclipse Surgical Technologies, Inc.,  
Sunnyvale, Calif.**

[57] **CLAIM**

[\*\*] **Term: 14 Years**

The ornamental design for a hand piece for surgical laser fiber optic delivery system, as shown.

[21] **Appl. No.: 60,819**

**DESCRIPTION**

[22] **Filed: Oct. 8, 1996**

FIG. 1 is a front, perspective view of the hand piece for surgical laser fiber optic delivery system showing our new design;

[51] **LOC (6) Cl. .... 24-02**

[52] **U.S. Cl. .... D24/133**

[58] **Field of Search** ..... D24/133, 127;  
385/118, 117, 119, 120, 901; 606/34, 32,  
161, 162, 1, 108, 15, 16; 604/118, 119,  
35, 32, 41; 607/53

FIG. 2 is a top view thereof;

FIG. 3 is a side view thereof;

FIG. 4 is a bottom view thereof;

FIG. 5 is a rear view thereof; and,

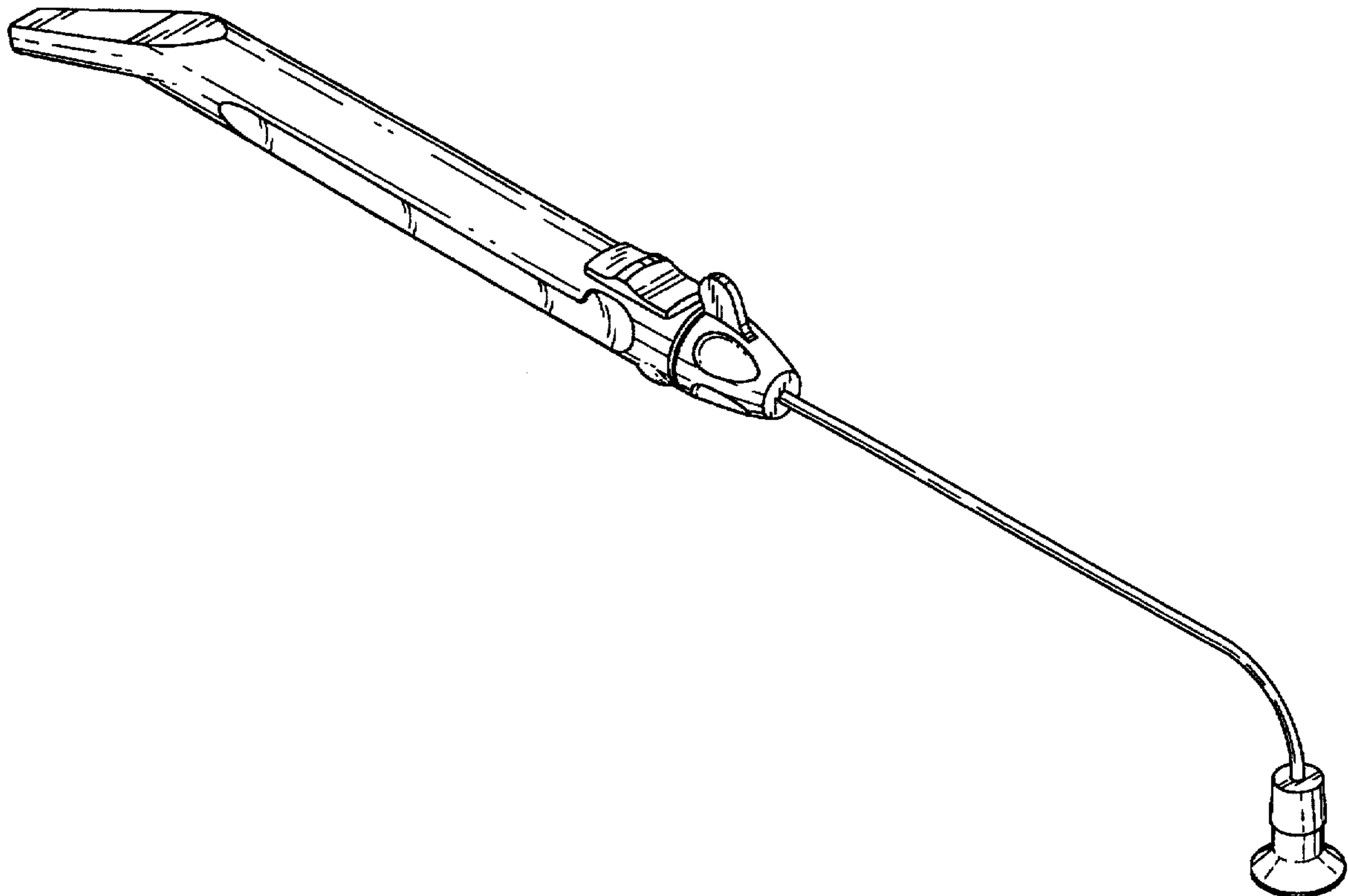
FIG. 6 is a front view thereof.

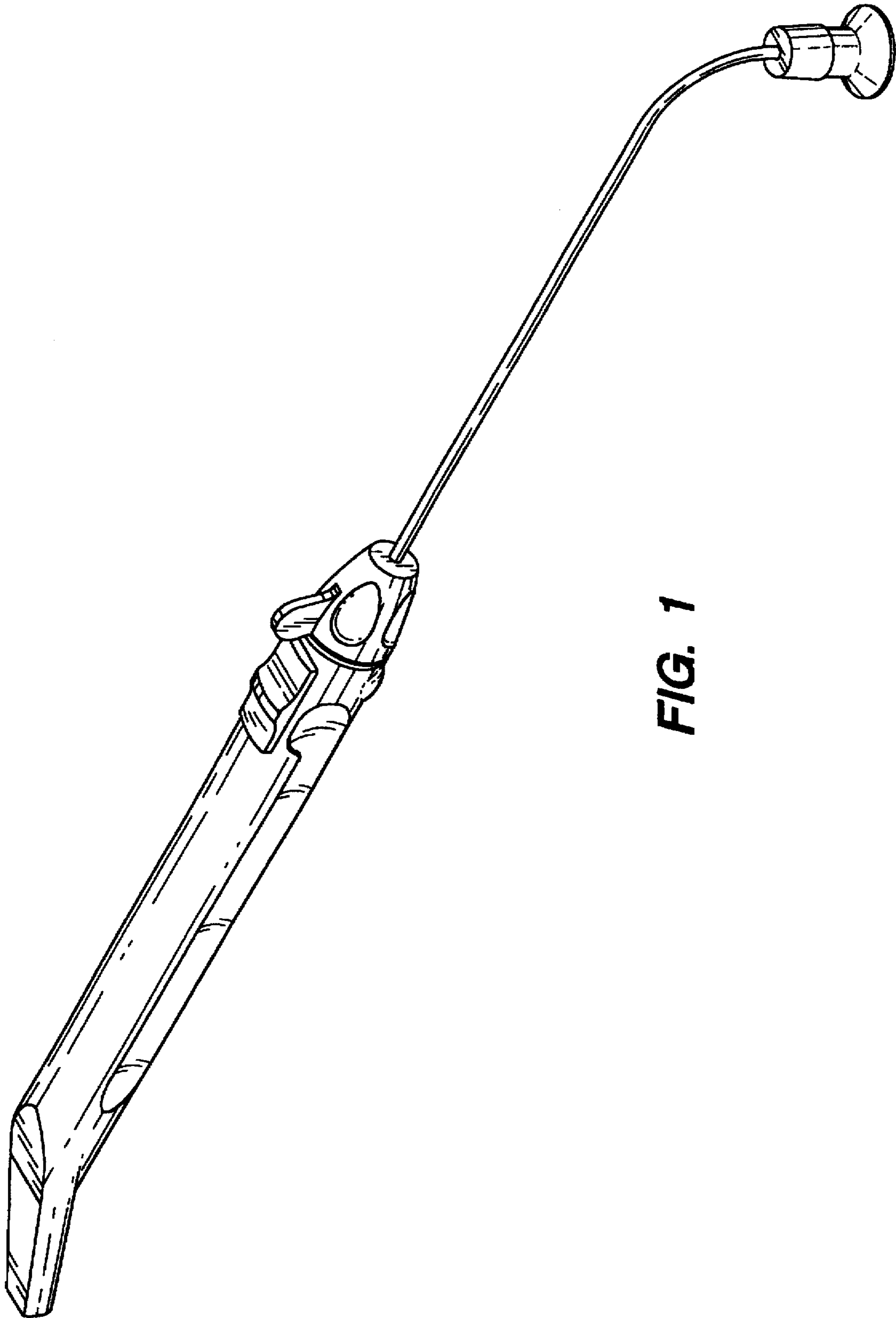
[56] **References Cited**

**U.S. PATENT DOCUMENTS**

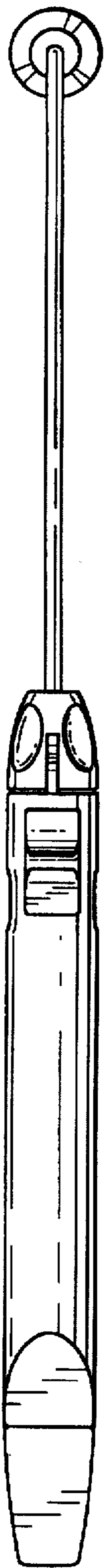
D. 358,208 5/1995 Niven ..... D24/133

**1 Claim, 2 Drawing Sheets**

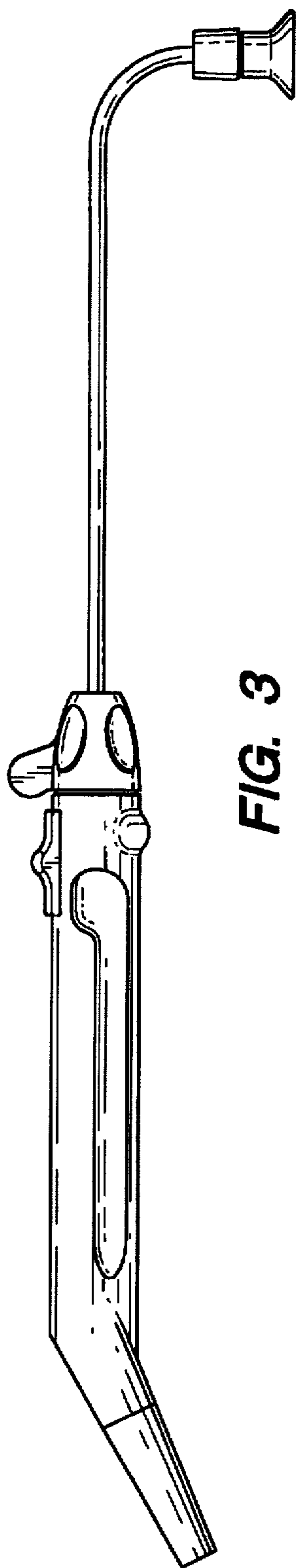




**FIG. 1**



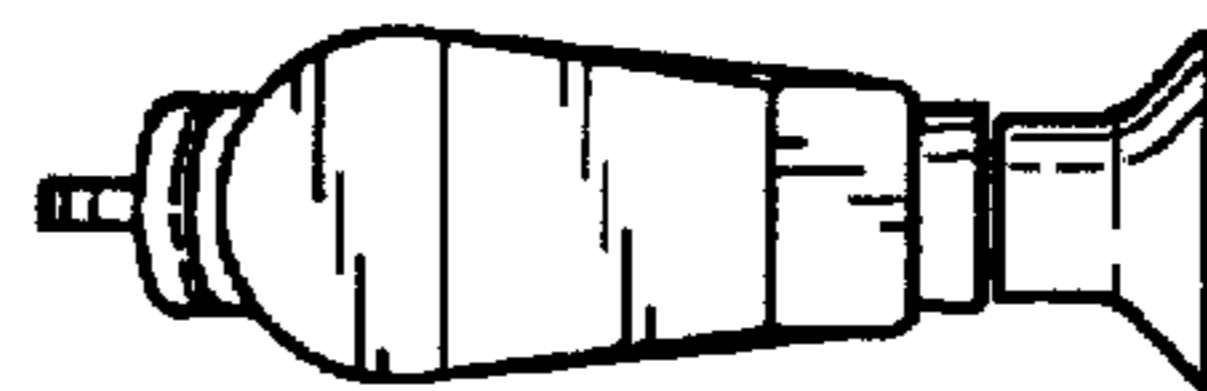
**FIG. 2**



**FIG. 3**



**FIG. 4**



**FIG. 5**



**FIG. 6**