



US00D389572S

**United States Patent** [19]  
**Bray**

[11] **Patent Number:** **Des. 389,572**  
[45] **Date of Patent:** **\*\*Jan. 20, 1998**

[54] **EIGHT VANED CROWN FOR A SOLID-PHASE REACTION SUPPORT PIN**

5,344,613 9/1994 Nokihara et al. .... 422/131 X  
5,419,874 5/1995 Coassin et al. .... 421/131 X

[75] **Inventor:** **Andrew Malcolm Bray**, Boronia, Australia

*Primary Examiner*—Antoine Duval Davis  
*Attorney, Agent, or Firm*—LeeAnn Gorthey; Robert P. Blackburn

[73] **Assignee:** **Chiron Corporation**, Emeryville, Calif.

[57] **CLAIM**

[\*\*] **Term:** **14 Years**

The ornamental design for an eight vaned crown for a solid-phase reaction support pin, as shown and described.

[21] **Appl. No.:** **52,101**

**DESCRIPTION**

[22] **Filed:** **Mar. 22, 1996**

FIG. 1 is a front, left side perspective view of an eight vaned crown for a solid-phase reaction support pin showing my new design;

[51] **LOC (6) Cl.** ..... **24-02**

[52] **U.S. Cl.** ..... **D24/130; D24/127**

[58] **Field of Search** ..... D10/81, 78; D24/127, D24/130, 216, 222, 224; 422/63, 64, 116, 131, 134, 135; 435/285, 287, 296, 311; 935/85, 88

FIG. 2 is a top view thereof;

FIG. 3 is a left side view thereof;

FIG. 4 is a bottom view thereof;

FIG. 5 is a right side view thereof;

FIG. 6 is a front view thereof;

FIG. 7 is a cross sectional view taken along the line 7—7 in FIG. 5 and looking towards the front of the crown; and,

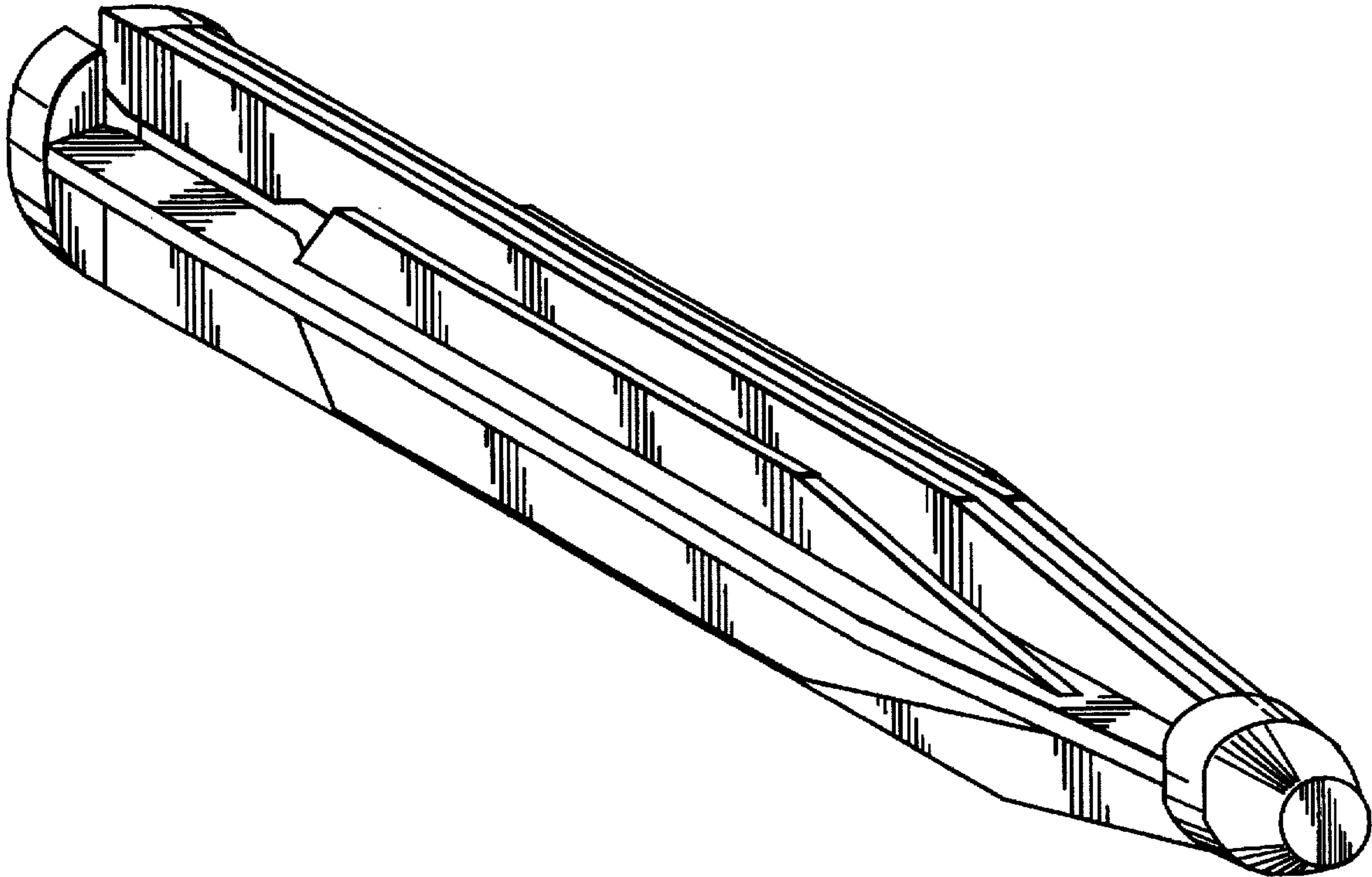
FIG. 8 is a back view thereof.

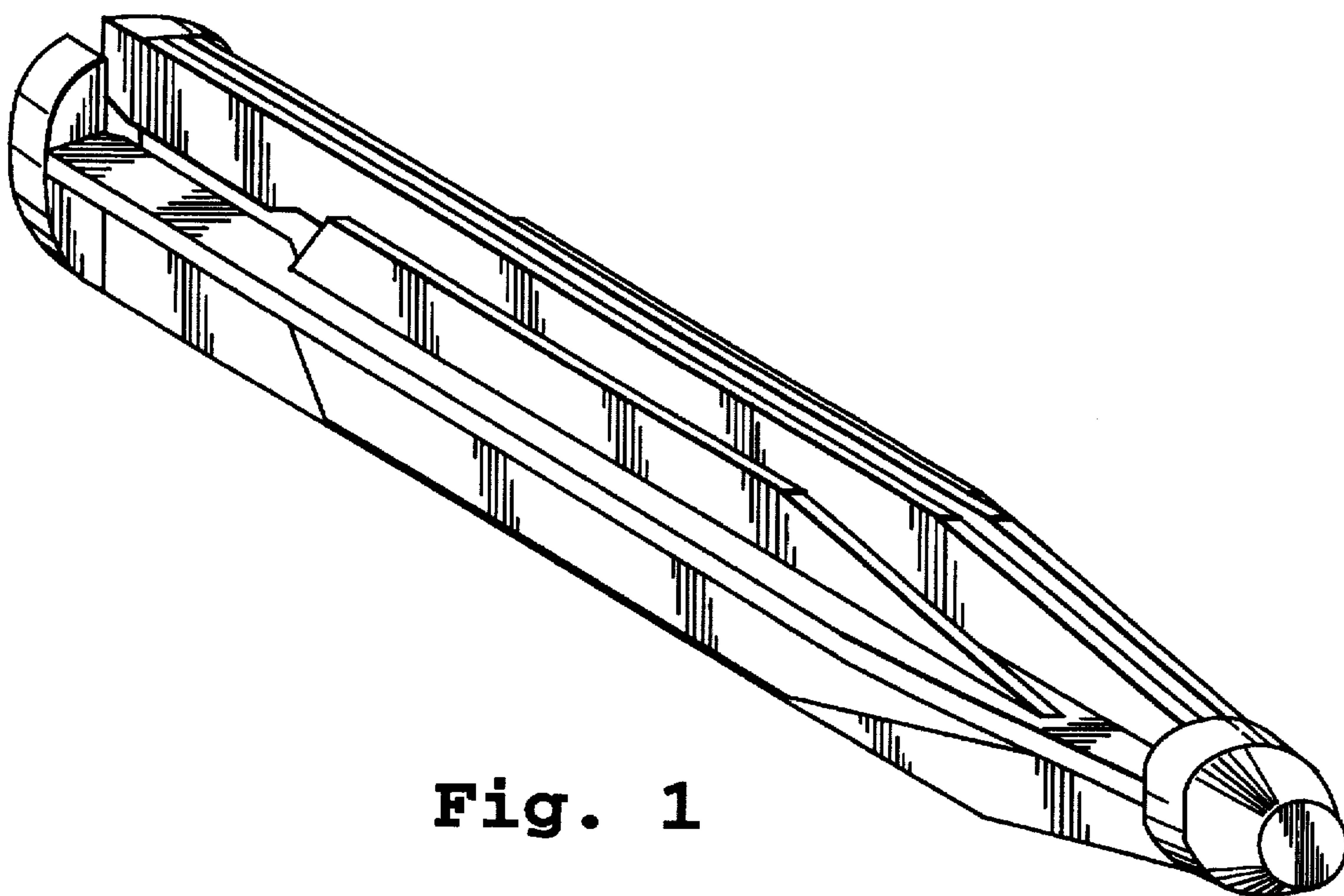
[56] **References Cited**

**U.S. PATENT DOCUMENTS**

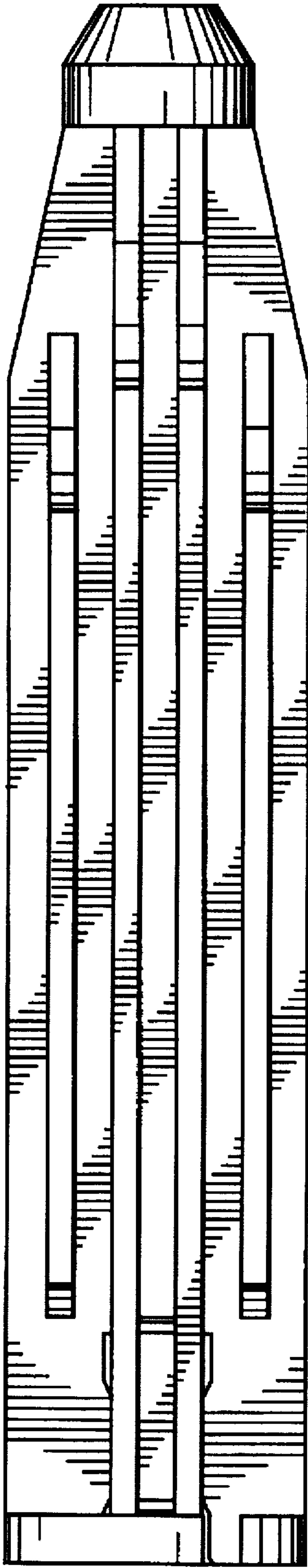
4,775,629 10/1988 Kuhl et al. .... 435/311 X  
5,019,348 5/1991 Ohms et al. .... 422/63

**1 Claim, 4 Drawing Sheets**

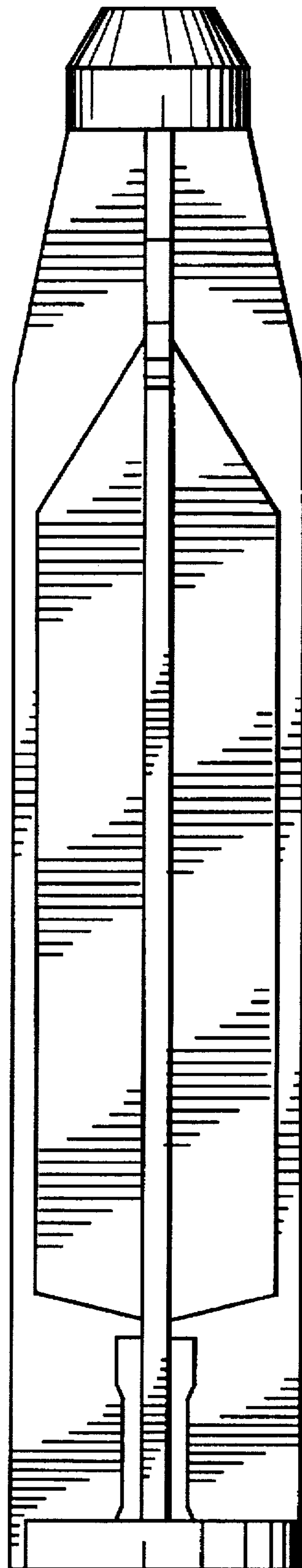




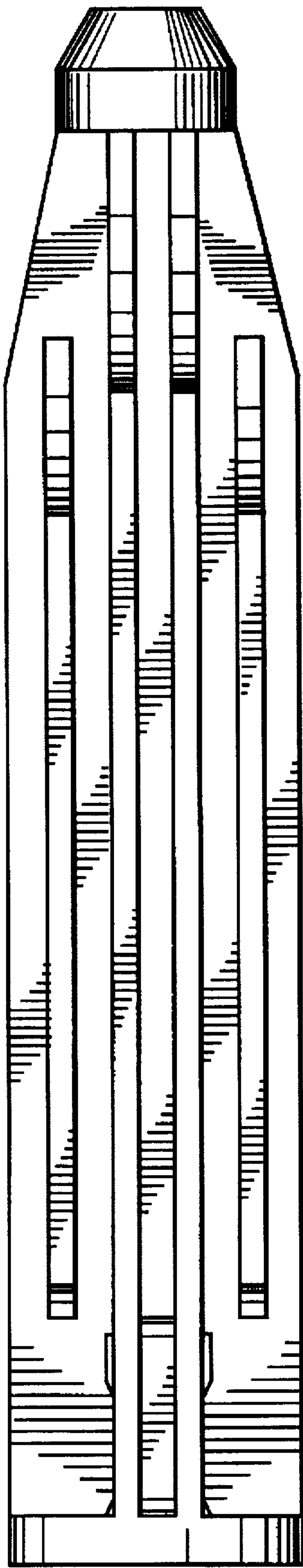
**Fig. 1**



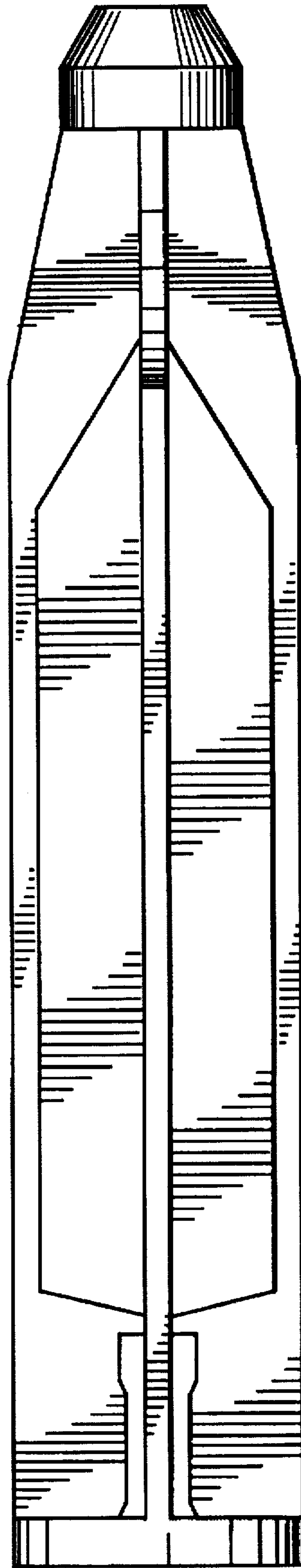
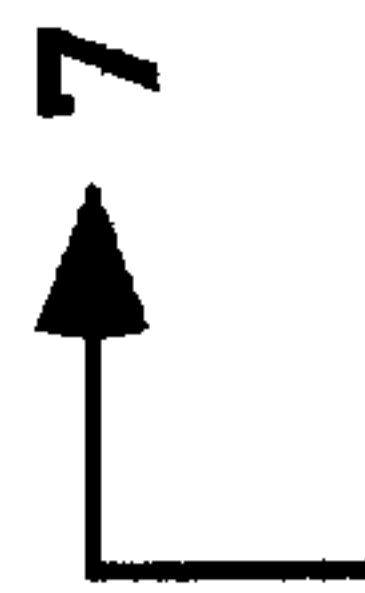
**Fig. 2**



**Fig. 3**

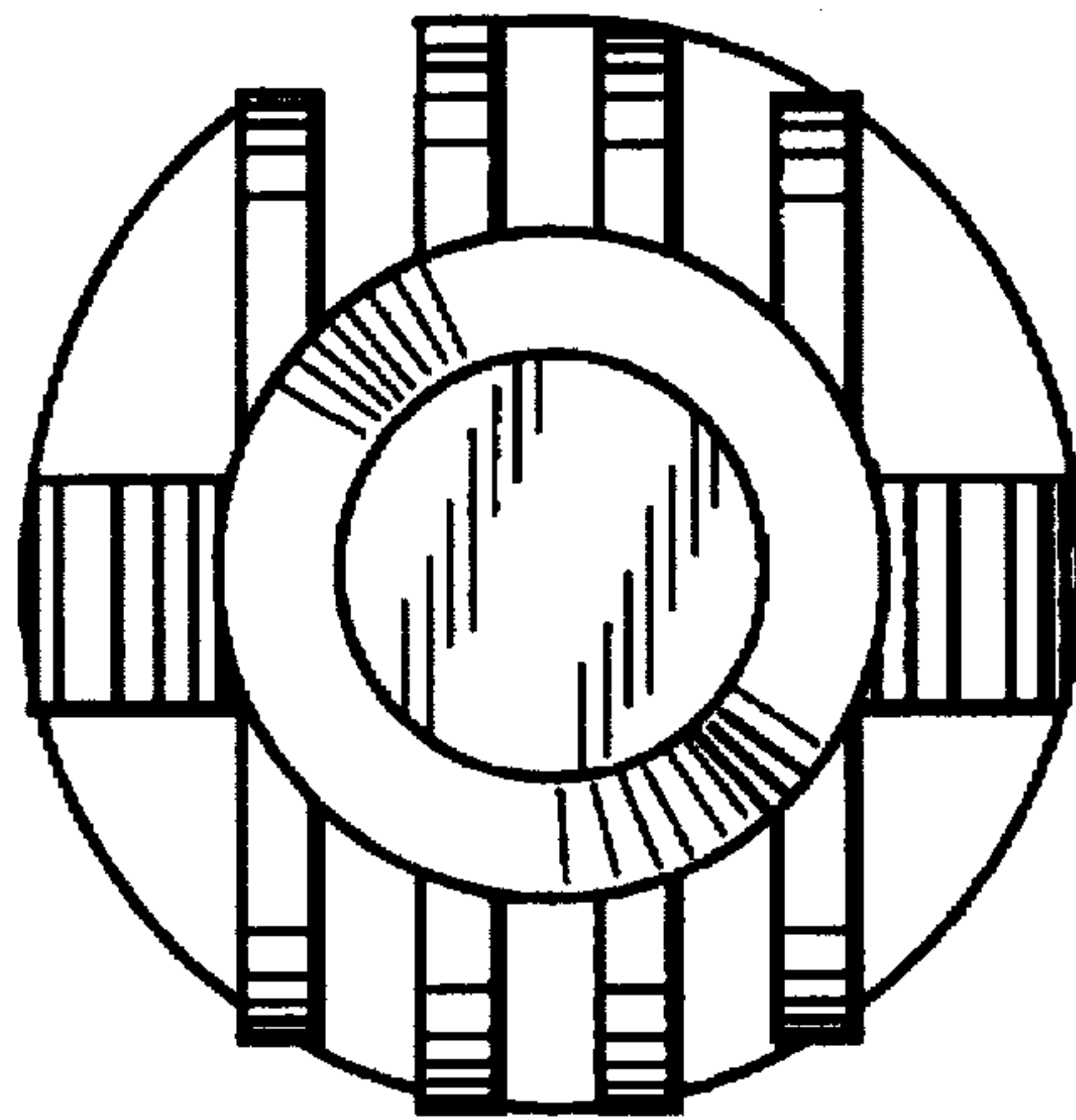


**Fig. 4**

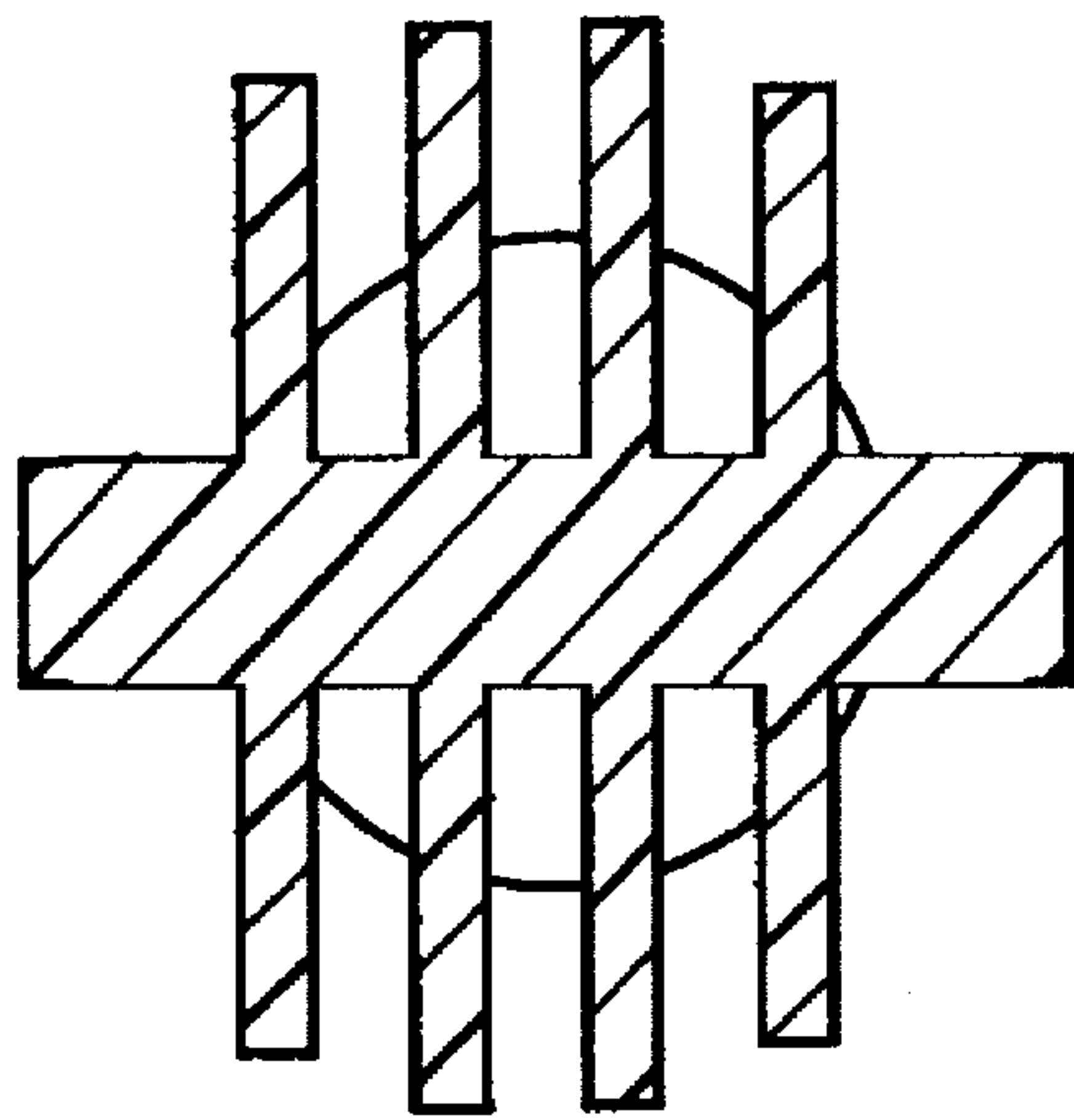


**Fig. 5**

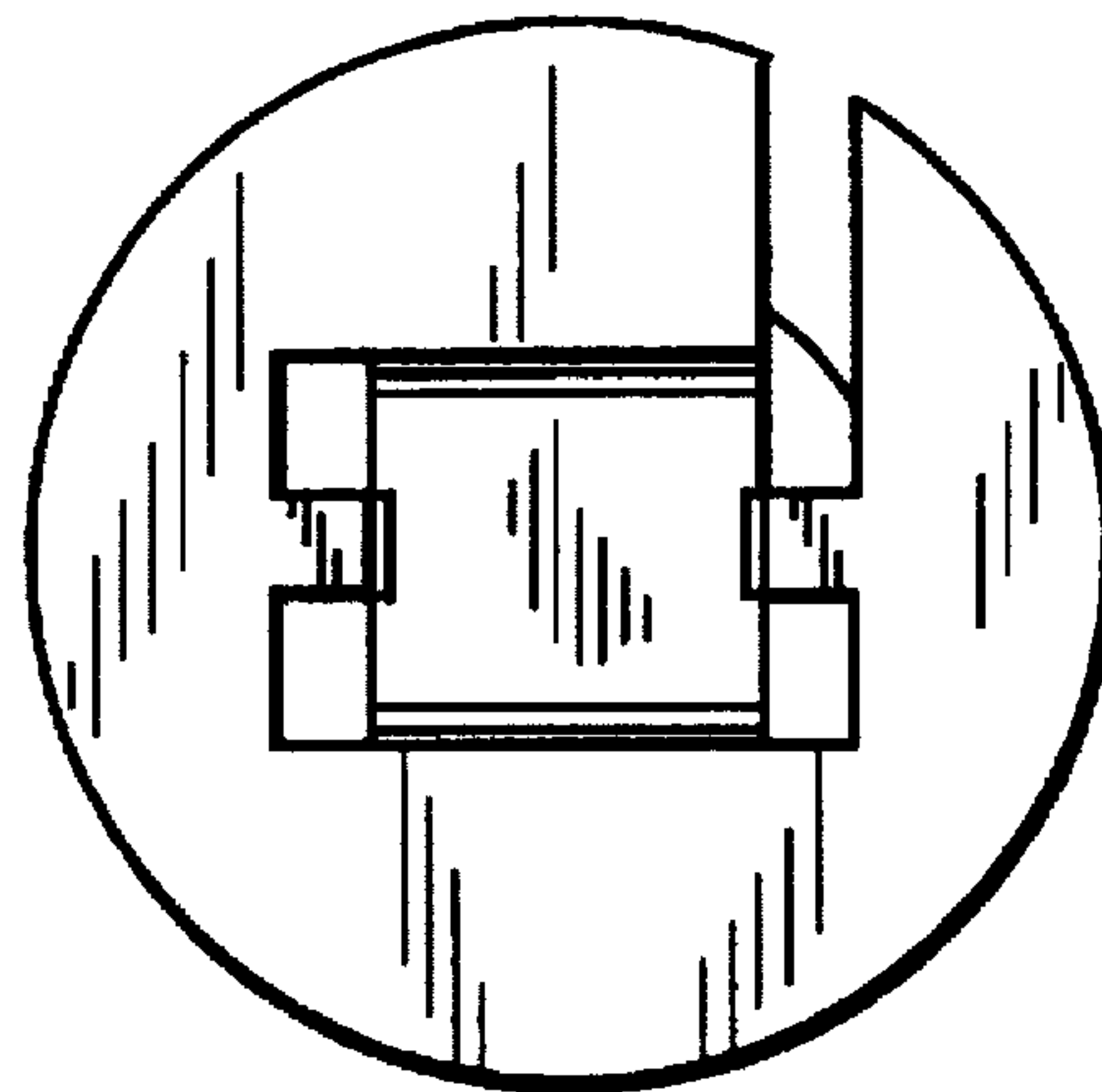




**Fig. 6**



**Fig. 7**



**Fig. 8**