



US00D389569S

# United States Patent [19]

Gee, II et al.

[11] Patent Number: **Des. 389,569**

[45] Date of Patent: **\*\*Jan. 20, 1998**

[54] **COMBINED CEILING FAN MOTOR HOUSING, SWITCH HOUSING, AND BLADE IRONS UNIT**

[75] Inventors: **Jack W. Gee, II**, Memphis; **Masao Tsuji**, Germantown, both of Tenn.

[73] Assignee: **Hunter Fan Company**, Memphis, Tenn.

[\*\*] Term: **14 Years**

[21] Appl. No.: **58,279**

[22] Filed: **Aug. 9, 1996**

[51] LOC (6) Cl. .... **23-04**

[52] U.S. Cl. .... **D23/411; D23/377; D23/379; D23/385**

[58] Field of Search ..... **D23/411, 377, D23/379, 385; 416/5, 210 R; 392/364; 364/96; D26/81-86, 88, 59, 51, 72**

[56] **References Cited**  
**PUBLICATIONS**

Hunter Fan Co. Brochure, p. 27, ceiling fan A, top left side of page—Ceiling Fan Cat.

Primary Examiner—Lisa Lichtenstein

Attorney, Agent, or Firm—Baker, Donelson, Bearman & Caldwell

[57] **CLAIM**

The ornamental design for a combined ceiling fan motor housing, switch housing, and blade irons unit, as shown and described.

**DESCRIPTION**

FIG. 1 is a perspective view of a combined ceiling fan motor housing, switch housing, and blade irons unit, showing our new design;

FIG. 2 is an additional perspective view showing environmental structure, the broken lines forming no part of the design;

FIG. 3 is a front elevational view thereof;

FIG. 4 is a right side elevational view thereof;

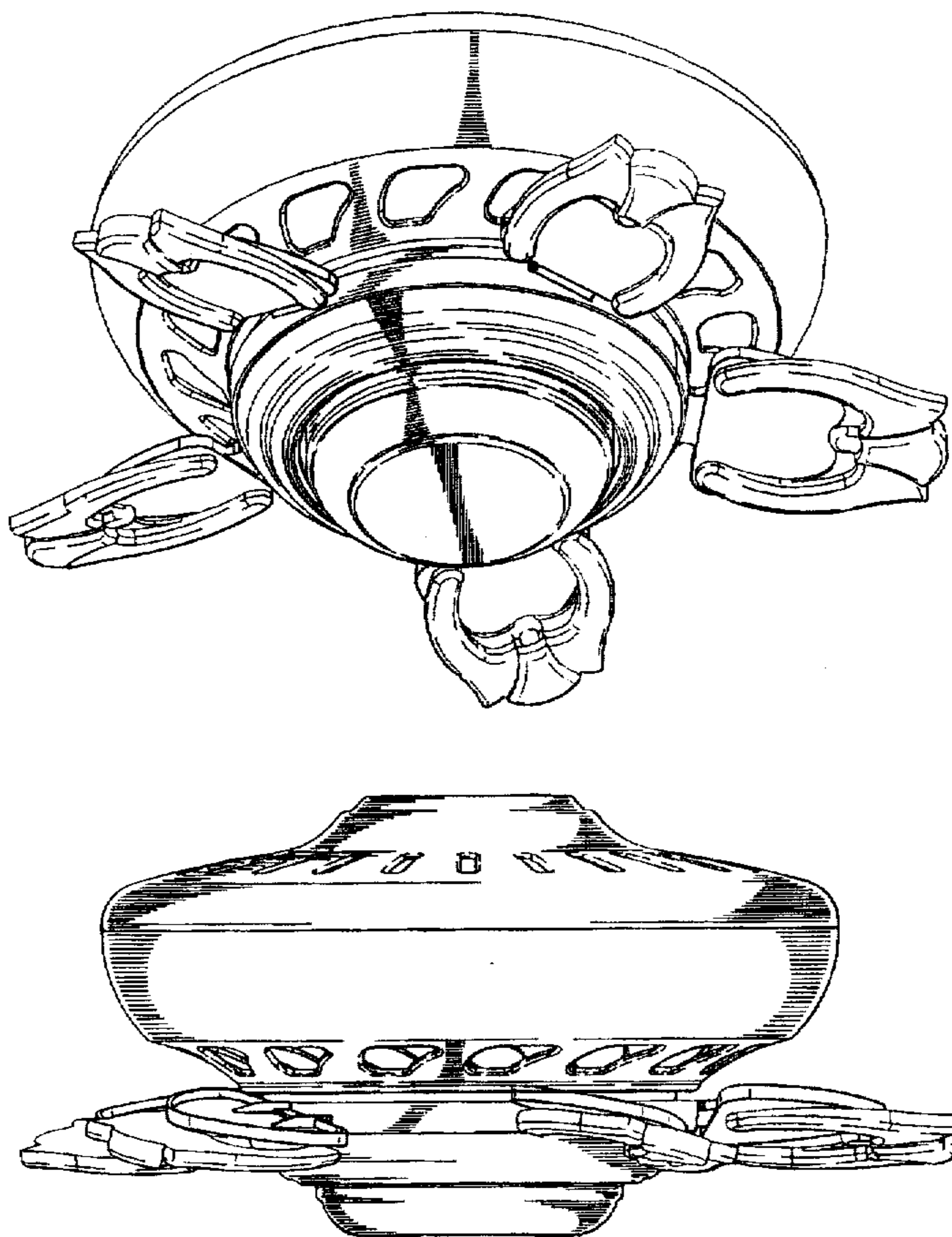
FIG. 5 is a rear elevational view thereof;

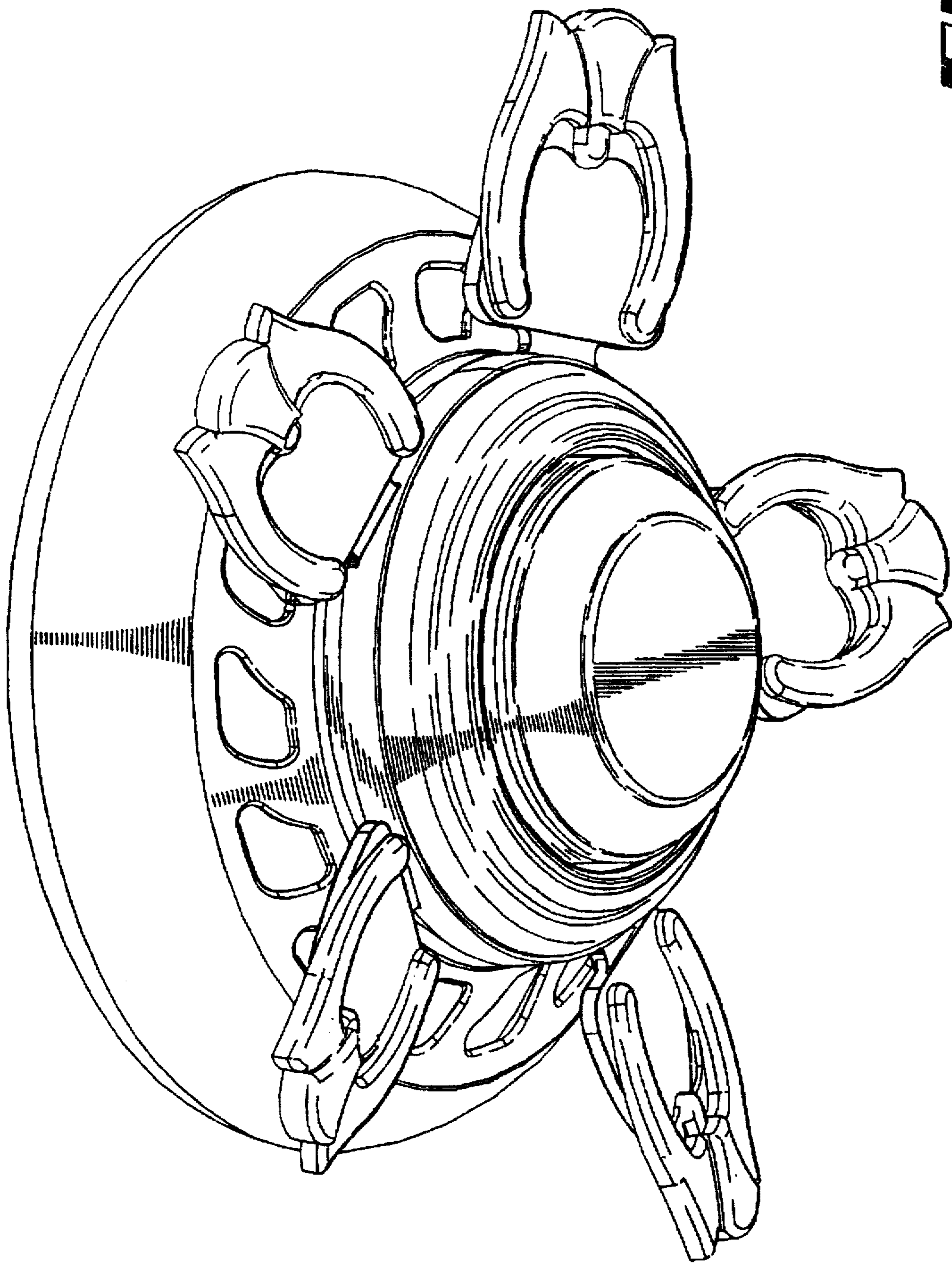
FIG. 6 is a left side elevational view thereof;

FIG. 7 is a bottom view thereof; and,

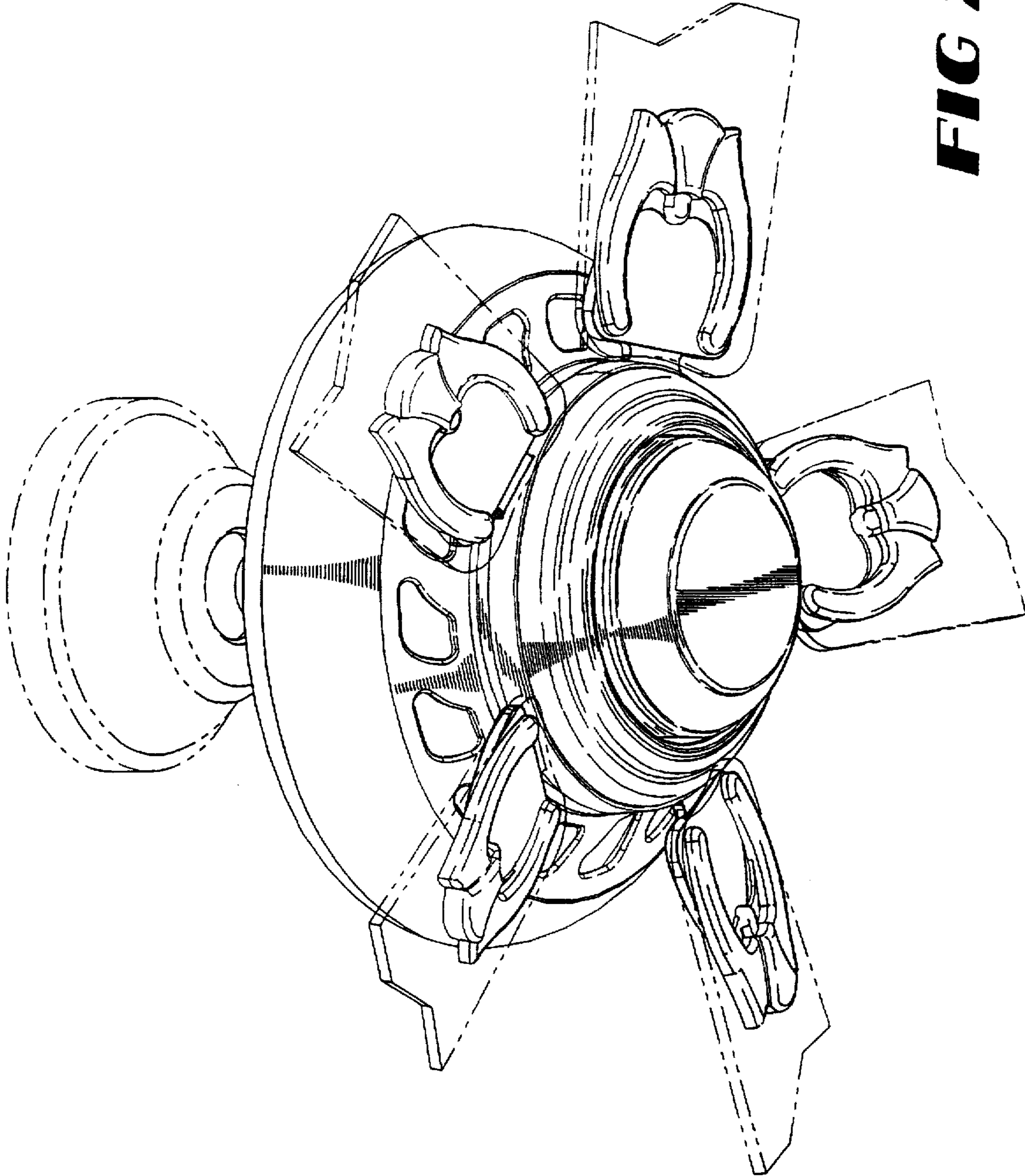
FIG. 8 is a top view thereof.

**1 Claim, 8 Drawing Sheets**

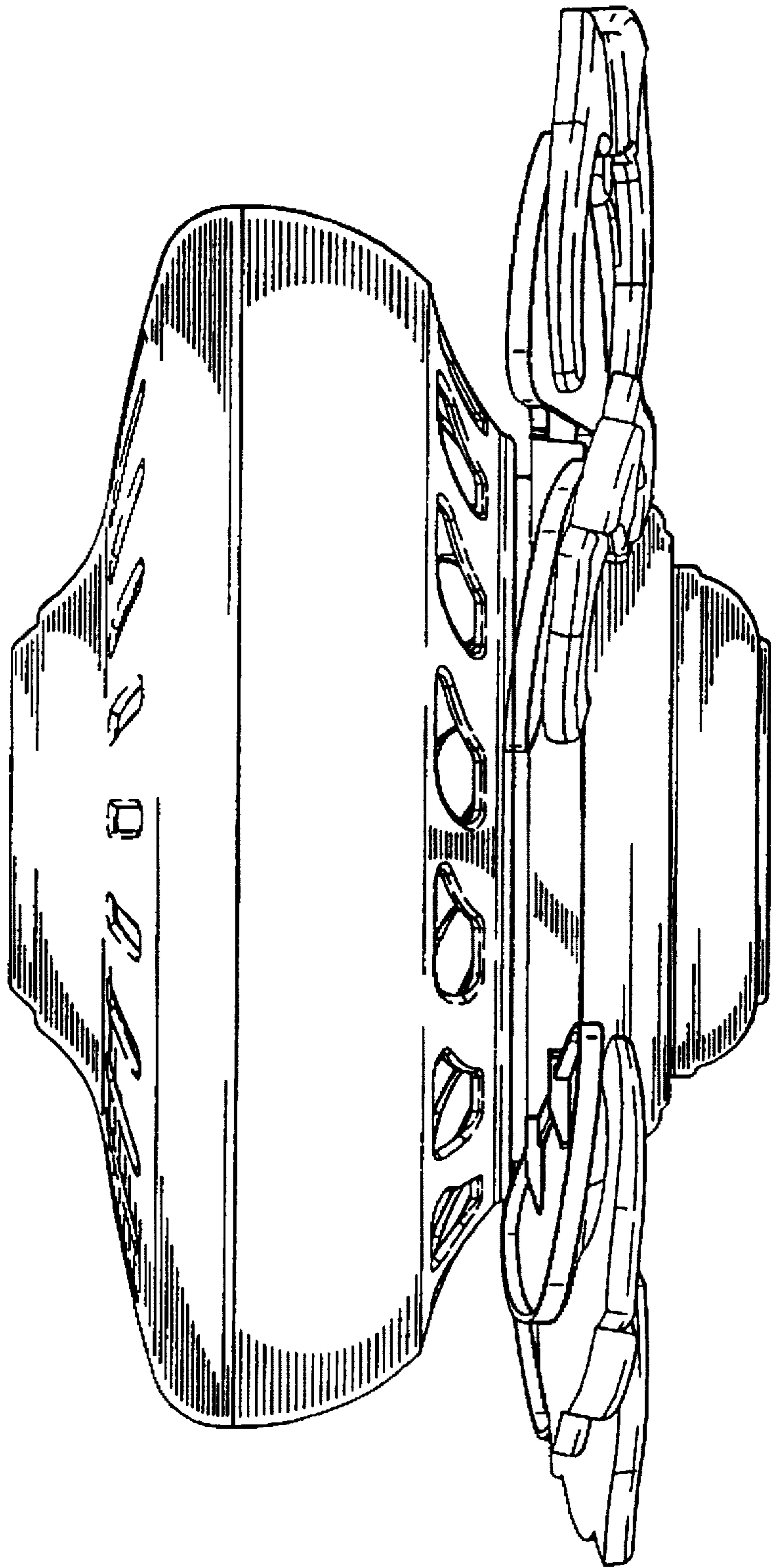




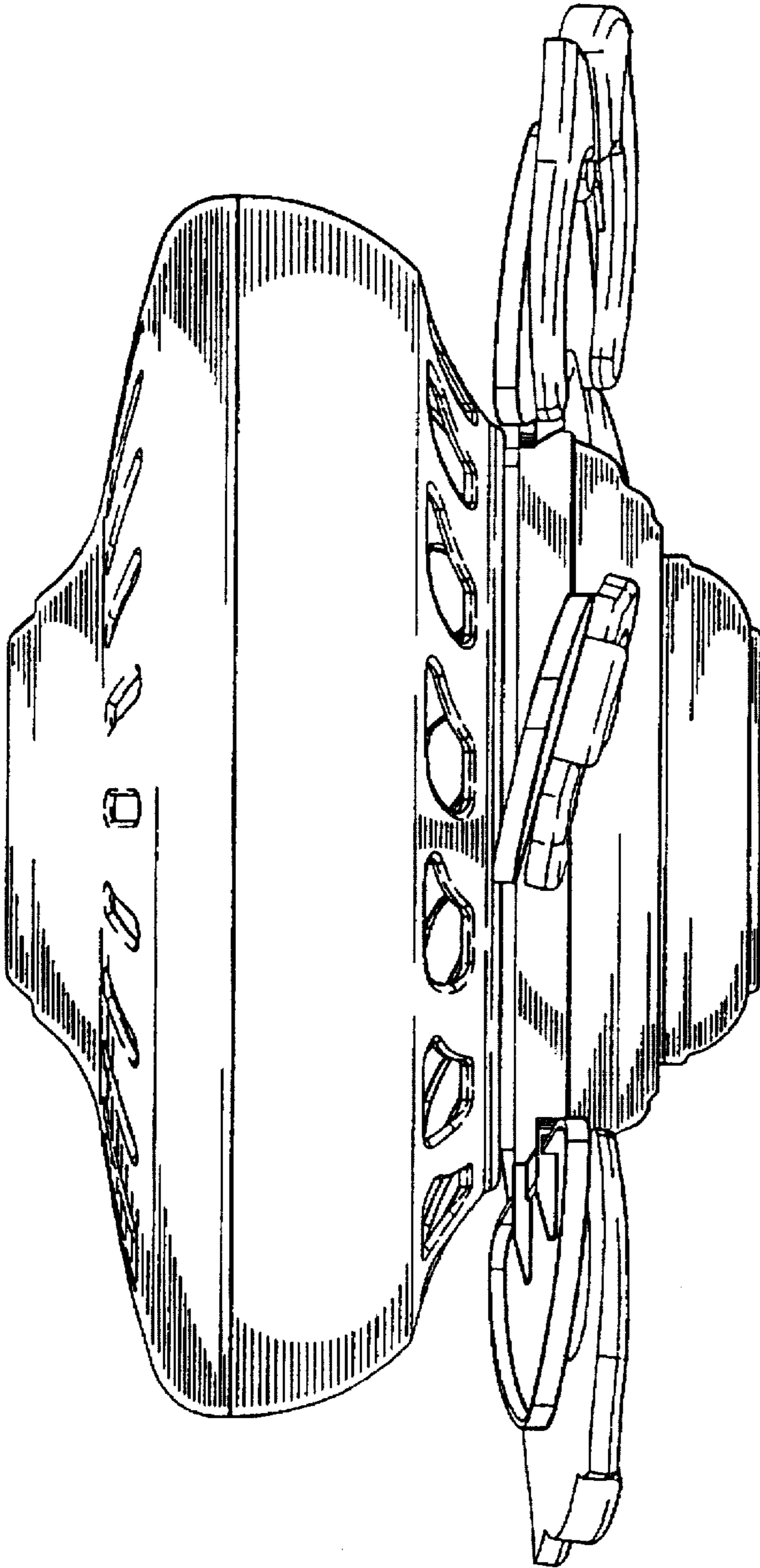
**FIG 1**



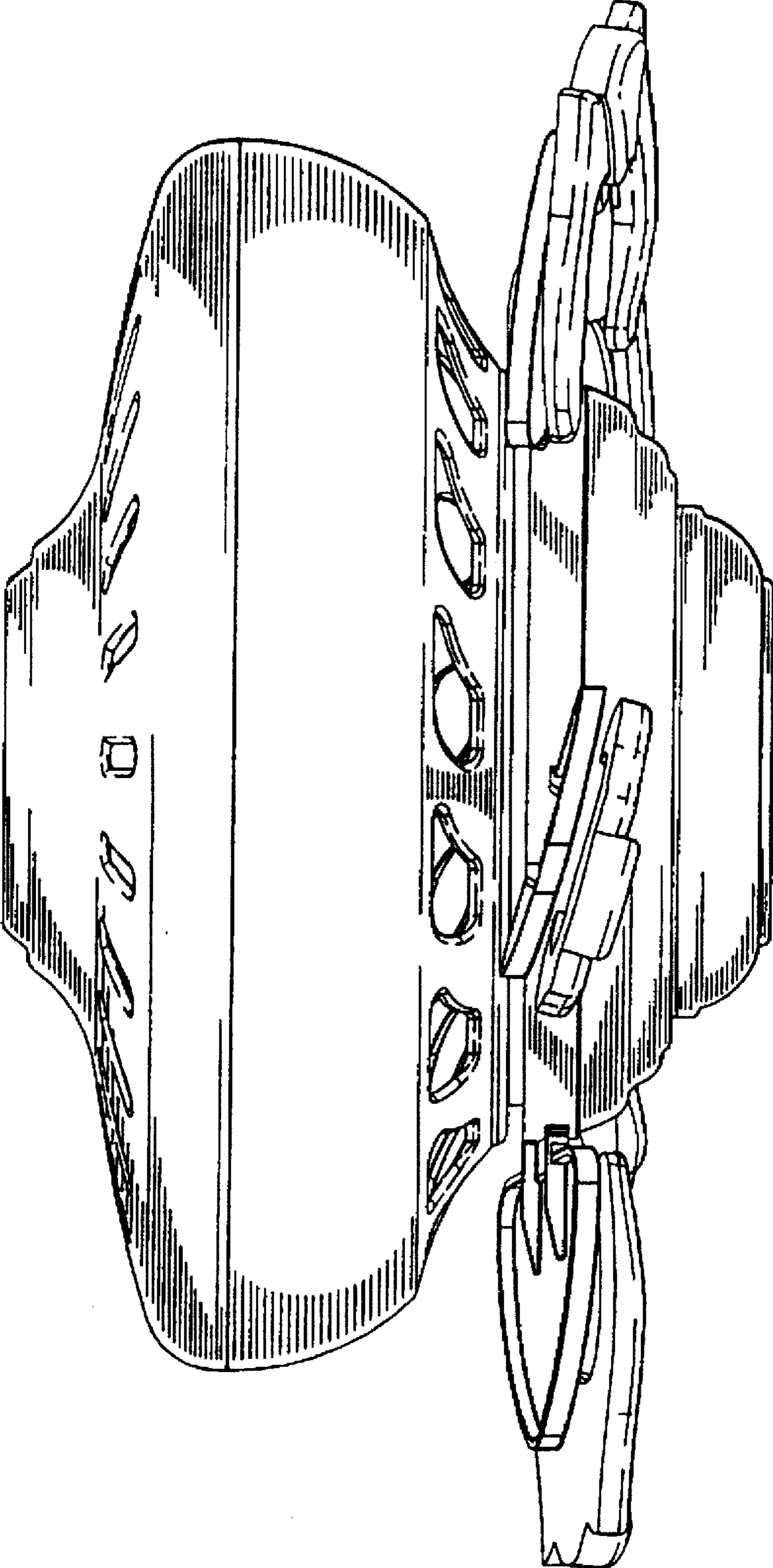
**FIG 2**



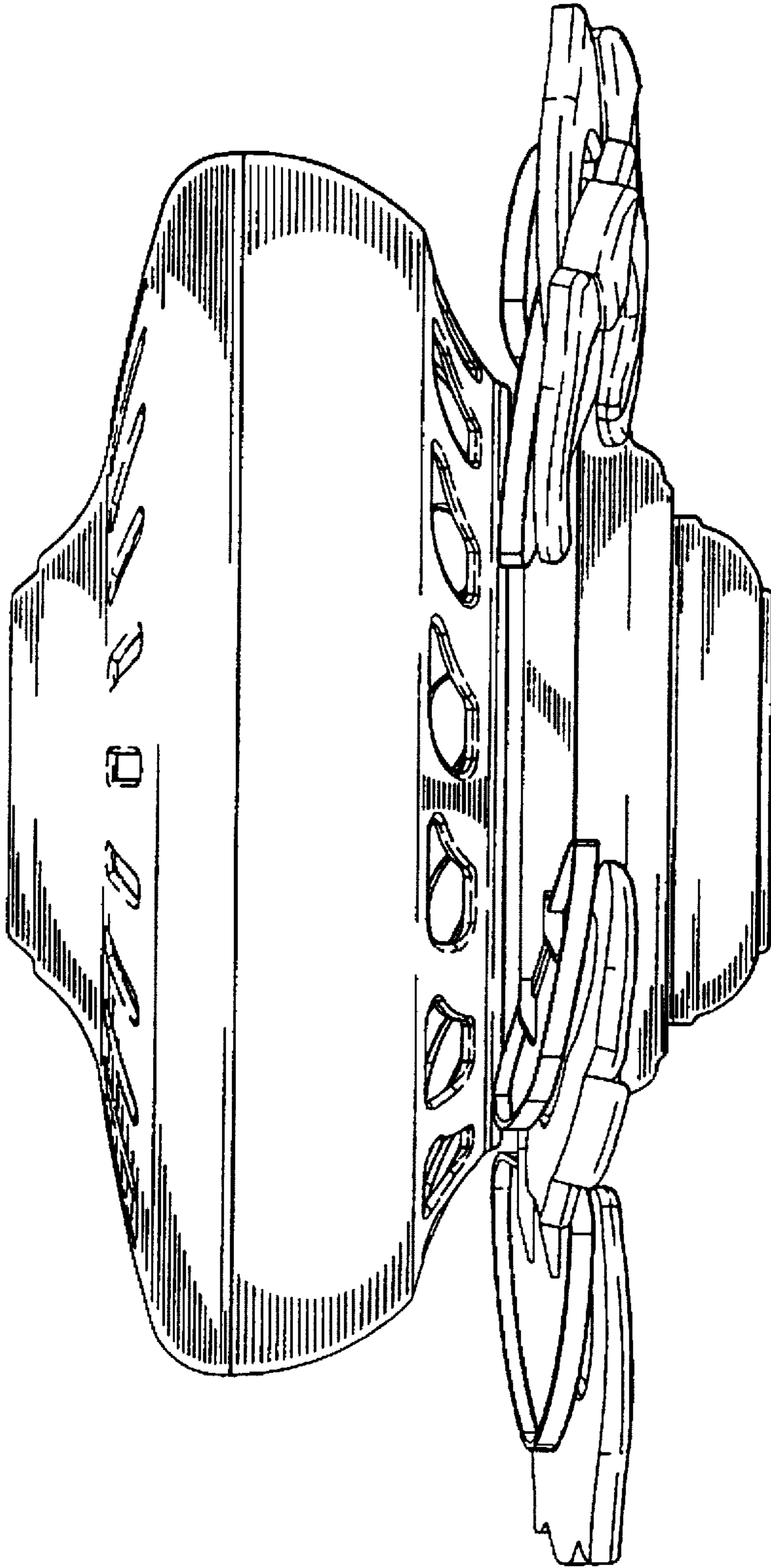
**FIG 3**



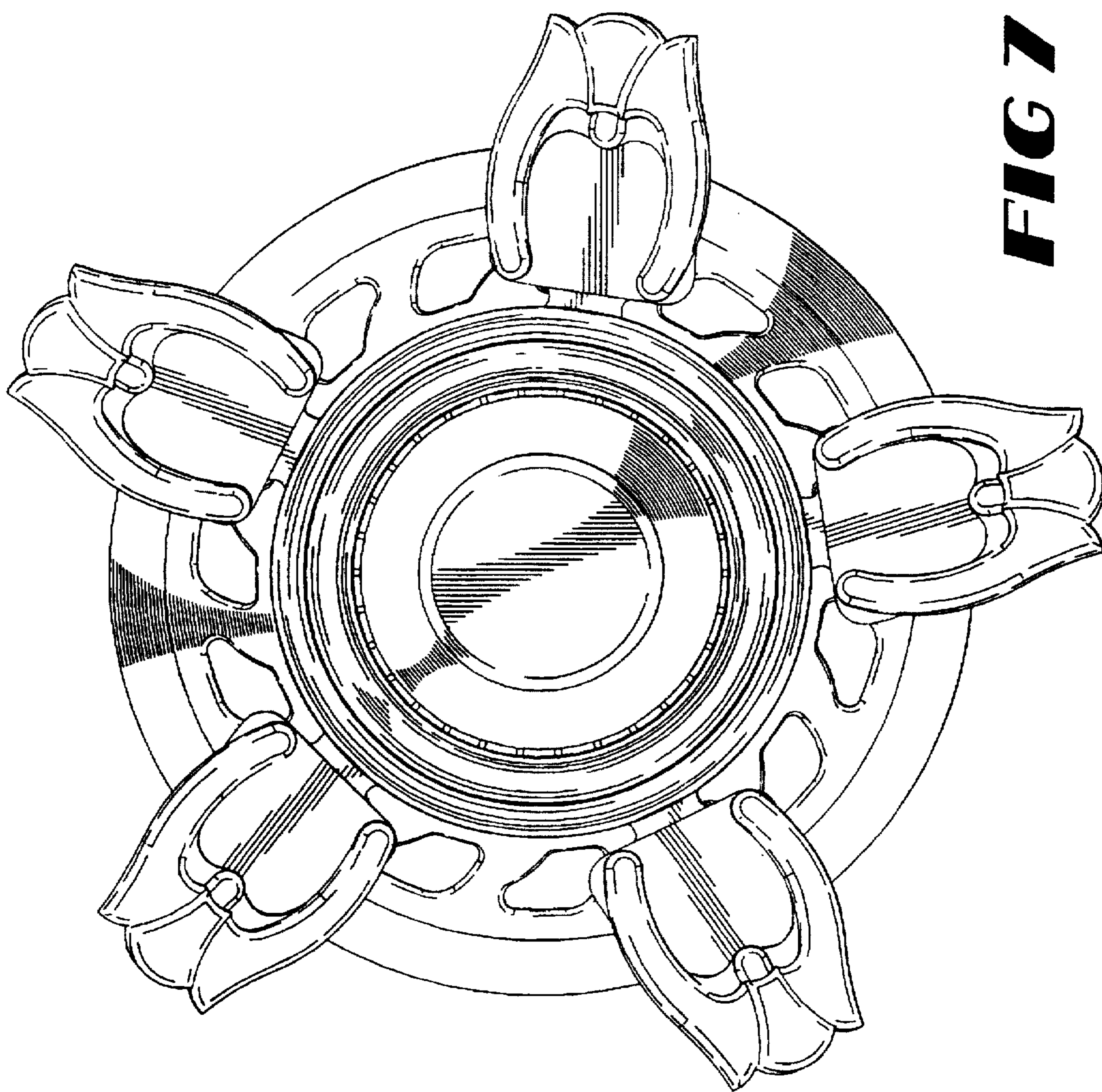
**FIG 4**



**FIG 5**

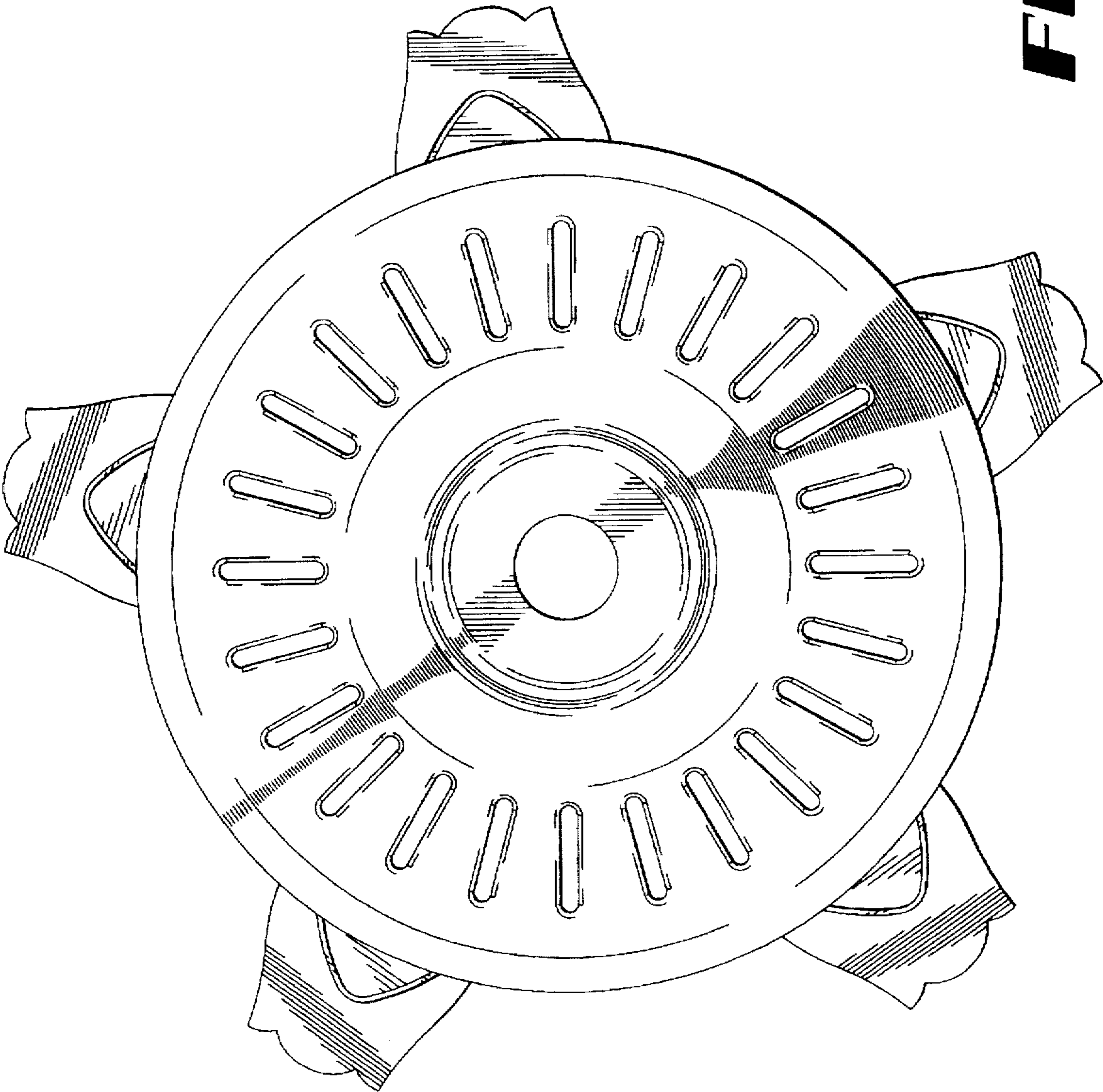


**FIG 6**



**FIG 7**





**FIG 8**