



US00D389566S

United States Patent [19]
Jaspers-Fayer

[11] **Patent Number: Des. 389,566**
[45] **Date of Patent: **Jan. 20, 1998**

[54] **CEILING FAN**

[75] **Inventor: Jan Jaspers-Fayer, Idyllwild, Calif.**

[73] **Assignee: Minka Lighting, Inc., Corona, Calif.**

[**] **Term: 14 Years**

[21] **Appl. No.: 35,886**

[22] **Filed: Mar. 8, 1995**

[51] **LOC (6) Cl. 23-04**

[52] **U.S. Cl. D23/377; D23/379; D23/385**

[58] **Field of Search D23/377, 379,
D23/385, 411, 413; 416/5; 362/96; 392/364;
D26/81-86, 88, 51, 59, 72, 73**

[56] **References Cited**

U.S. PATENT DOCUMENTS

- D. 295,555 5/1988 Greenberg D23/385
- D. 355,028 1/1995 Tsuji D23/385

Primary Examiner—Lisa Lichtenstein
Attorney, Agent, or Firm—Jenkins & Gilchrist, P.C.

[57] **CLAIM**

The ornamental design for a ceiling fan, as shown and described.

DESCRIPTION

FIG. 1 is a front top perspective view of a ceiling fan showing my new design;

FIG. 2 is a front bottom perspective view thereof;

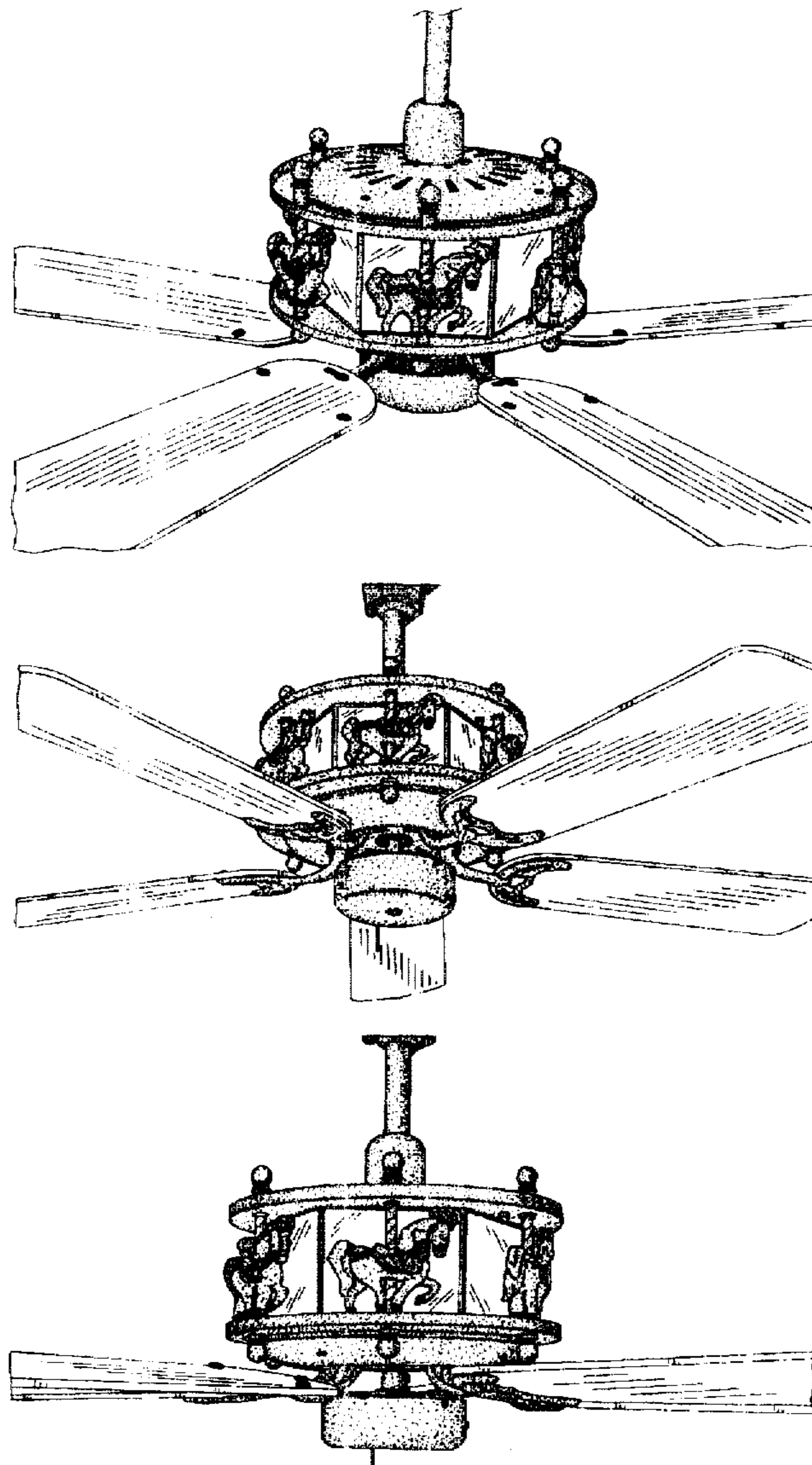
FIG. 3 is a front perspective view thereof, the rear being substantially identical to that shown;

FIG. 4 is an enlarged top perspective view thereof; and,

FIG. 5 is a bottom plan view thereof.

The ceiling fan blades have been shown broken away in FIGS. 1-5 to indicate indeterminate length.

1 Claim, 5 Drawing Sheets



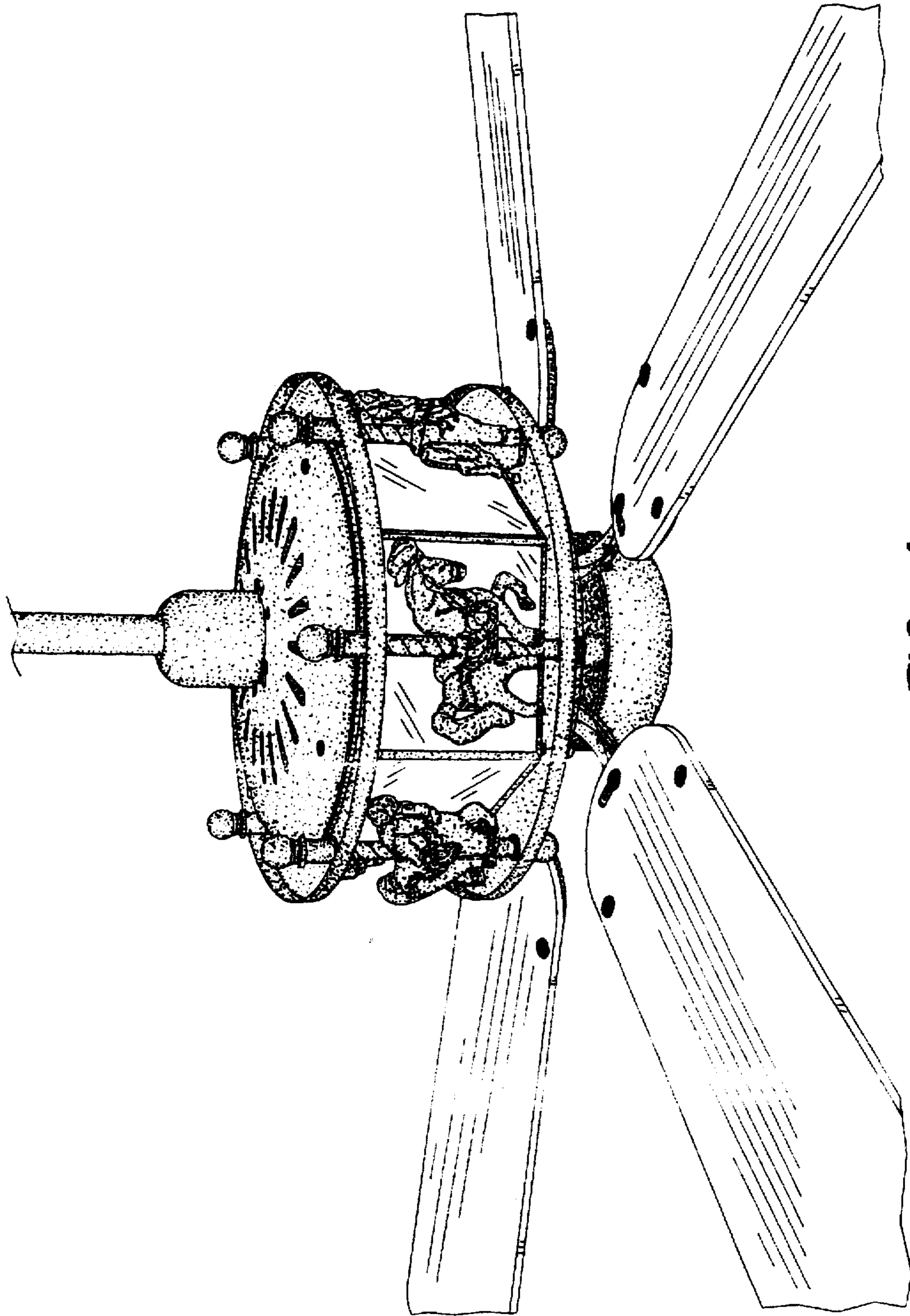


FIG. 1

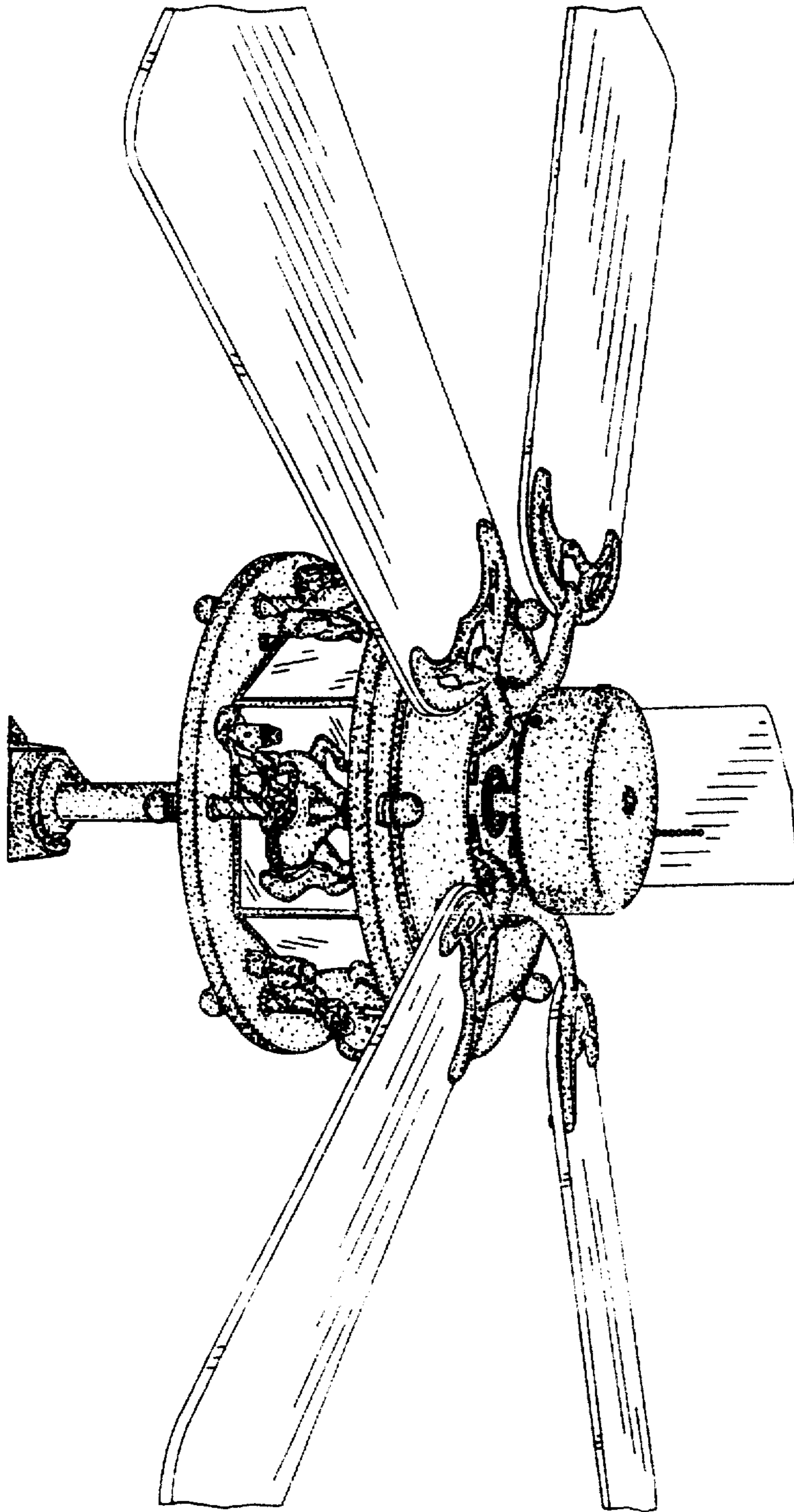


FIG. 2

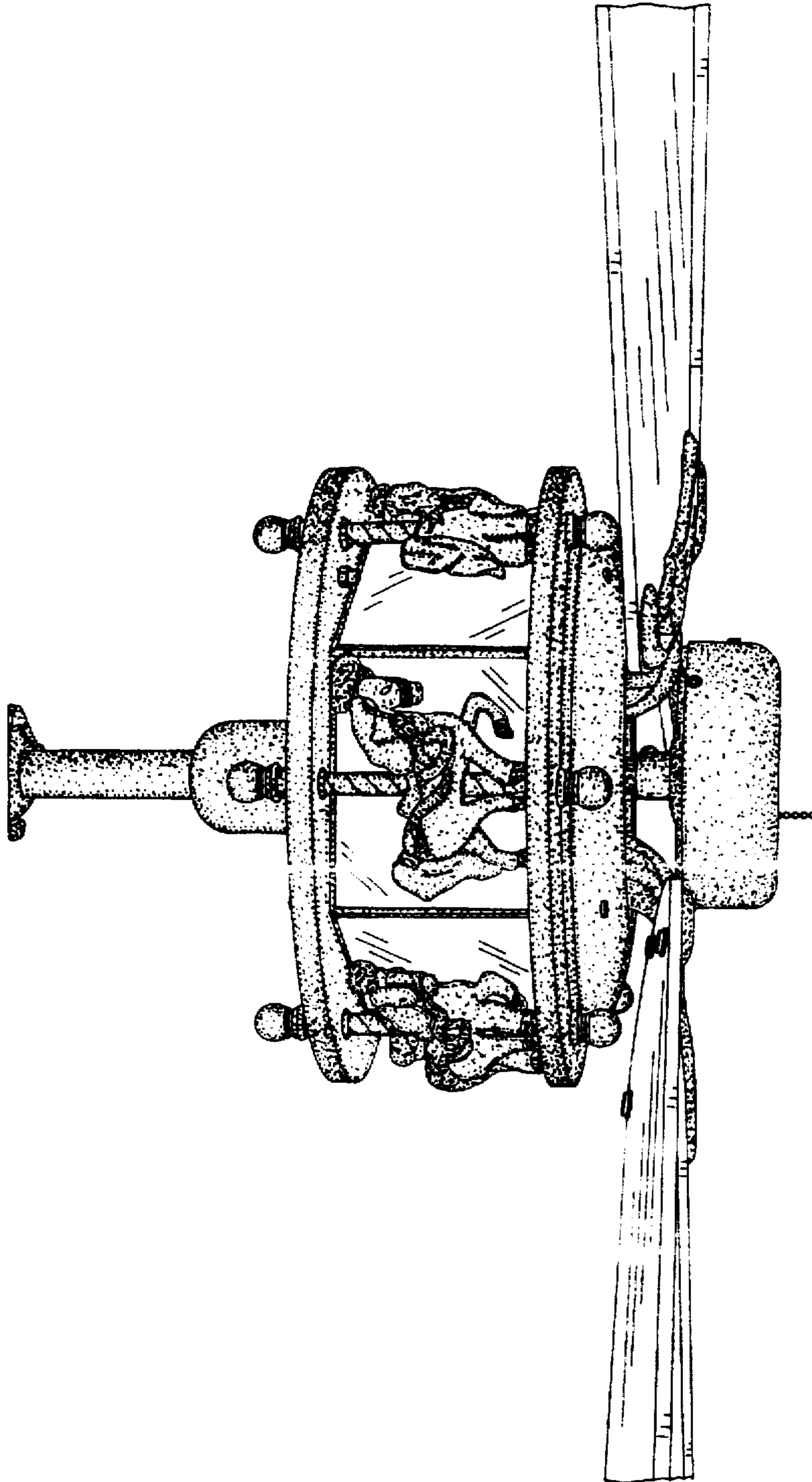


FIG. 3

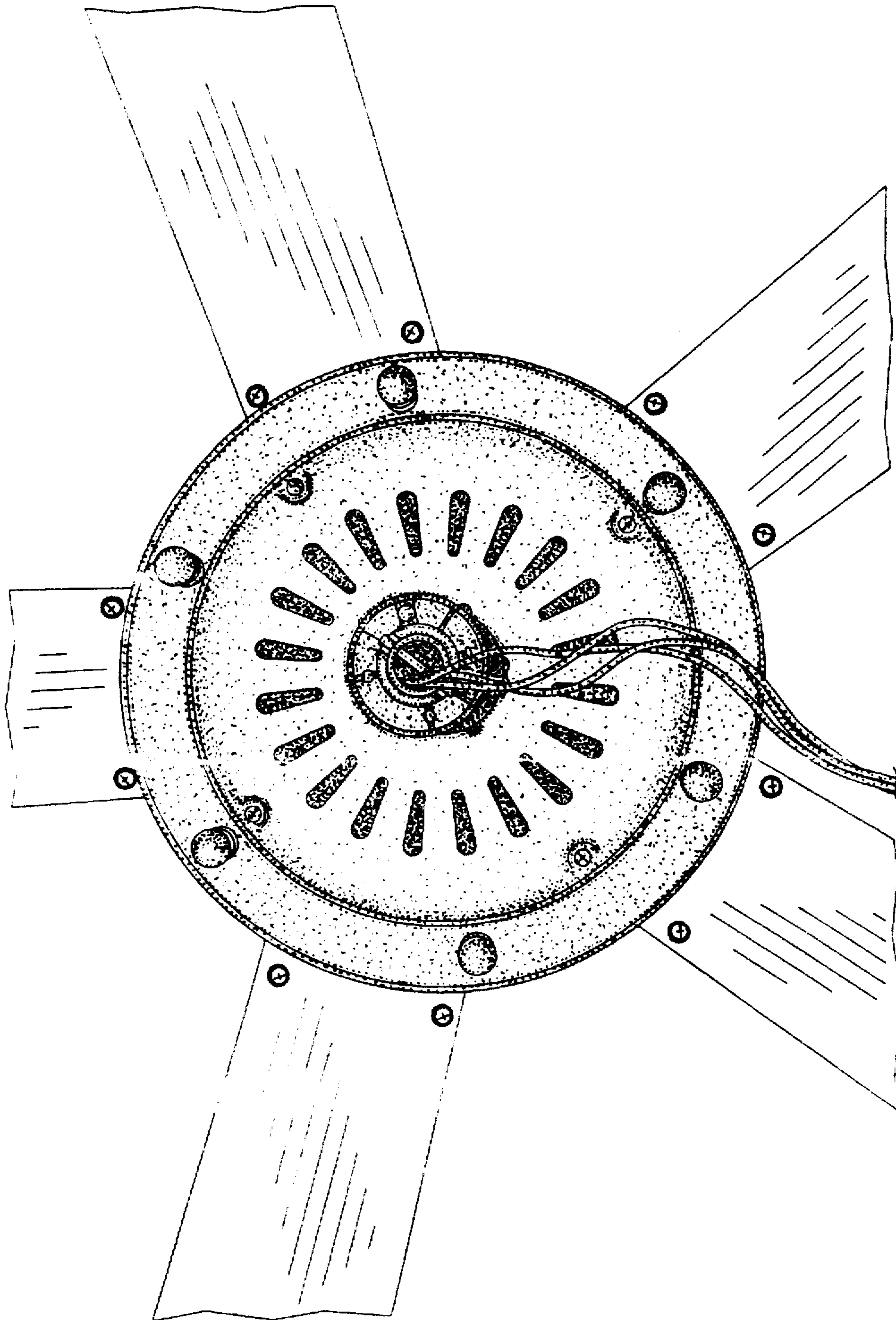


FIG. 4

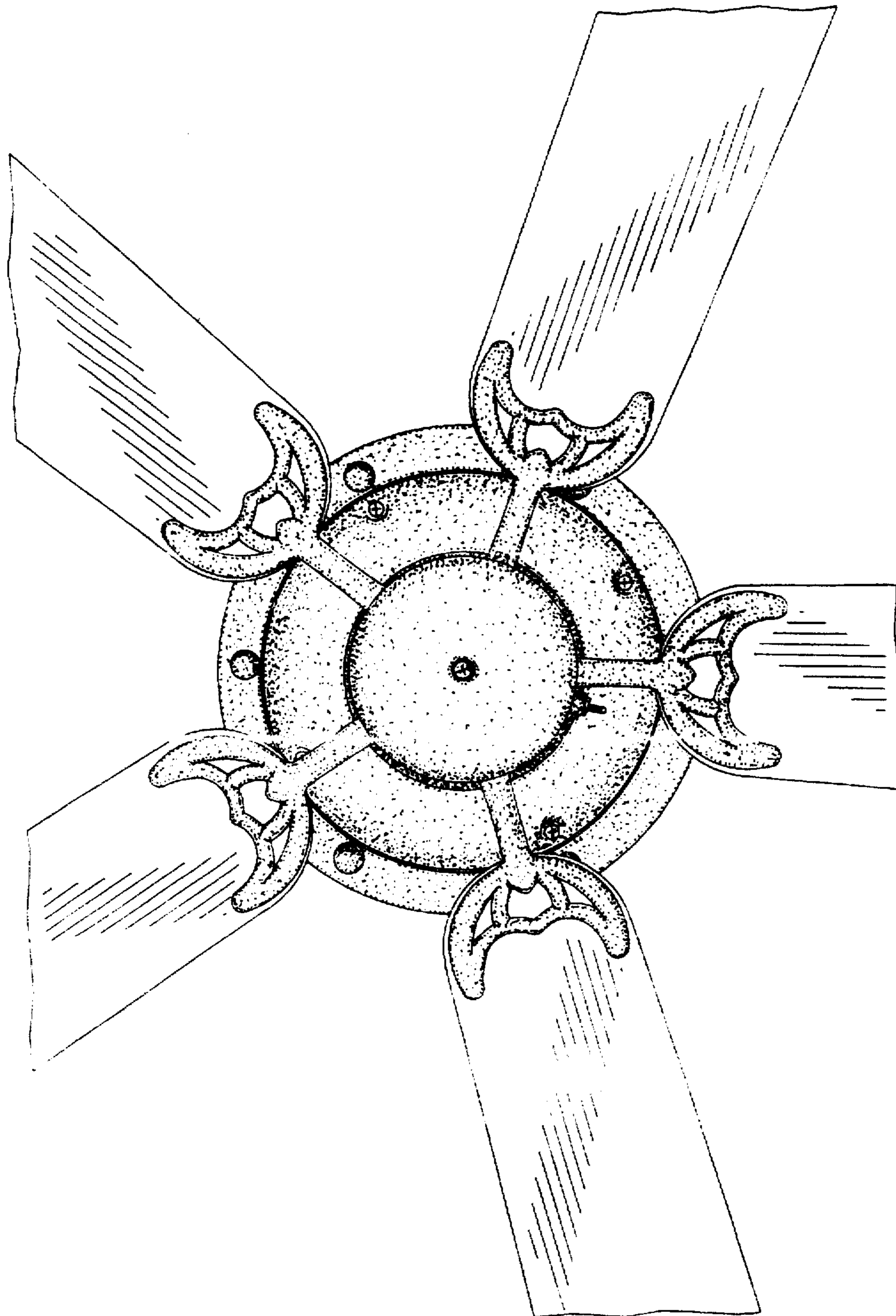


FIG. 5