



US00D389564S

United States Patent [19]

[11] Patent Number: **Des. 389,564**

Owusu

[45] Date of Patent: ****Jan. 20, 1998**

[54] **VENTILATION DEVICE FOR VEHICLES WITH PARTITIONED COMPARTMENTS**

Primary Examiner—Lisa Lichtenstein

[76] Inventor: **Kenneth Owusu**, 51 Clifton Ave., Apt. C-1314, Newark, N.J. 07104

[57] **CLAIM**

[**] Term: **14 Years**

The ornamental design for a ventilation device for vehicles with partitioned compartments, as shown and described.

[21] Appl. No.: **65,091**

DESCRIPTION

[22] Filed: **Jan. 21, 1997**

FIG. 1 is a front elevational view of the ventilation device for vehicles with partitioned compartments showing my new design;

[51] LOC (6) Cl. **12-16**

FIG. 2 is a rear elevational view thereof;

[52] U.S. Cl. **D23/324; D23/370**

FIG. 3 is a right side view thereof;

[58] Field of Search **D23/324, 370; 454/119, 143, 903; 62/3.61, 3.62, 244**

FIG. 4 is a left side view thereof;

FIG. 5 is a top plan view thereof; and,

FIG. 6 is a bottom plan view thereof.

[56] **References Cited**

The flexible hose has been shown broken-away in FIGS. 1, 2, 5 and 6, to indicate indeterminate length.

U.S. PATENT DOCUMENTS

2,925,768	2/1960	Weibert, Jr.	454/119
3,916,639	11/1975	Atkinson	62/244
5,355,694	10/1994	Morrow et al.	62/244

1 Claim, 3 Drawing Sheets

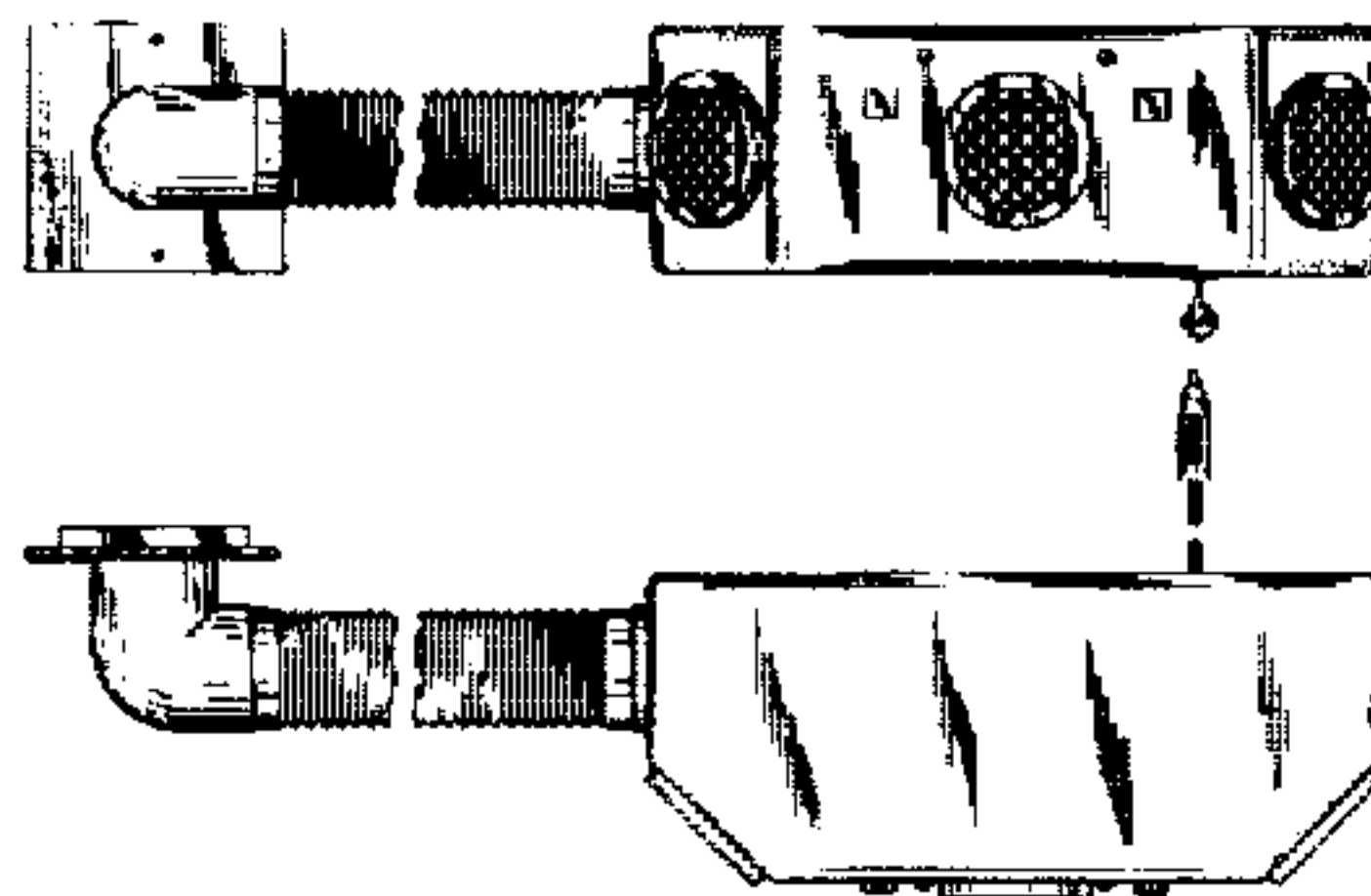


FIG. 1

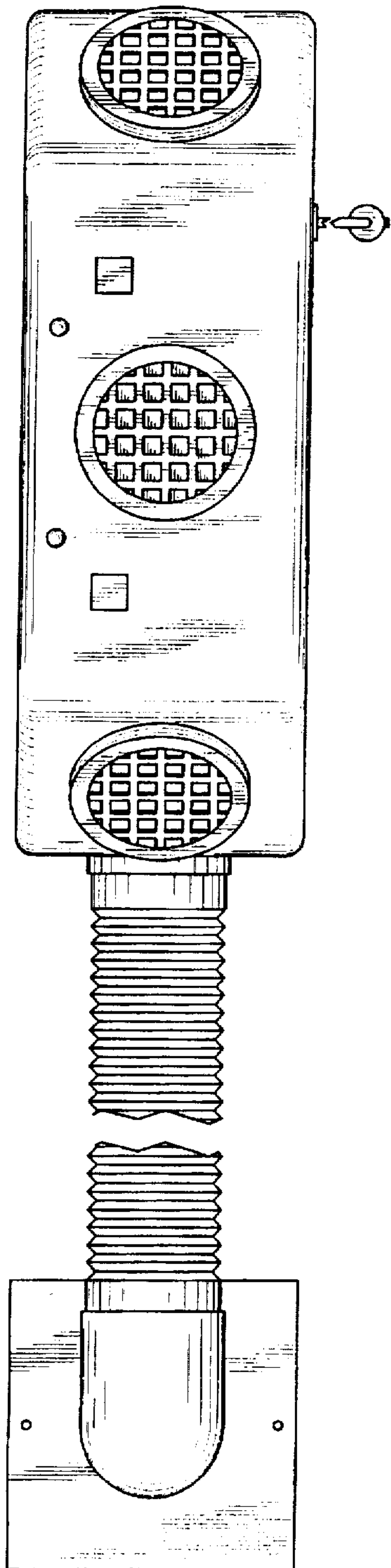


FIG. 2

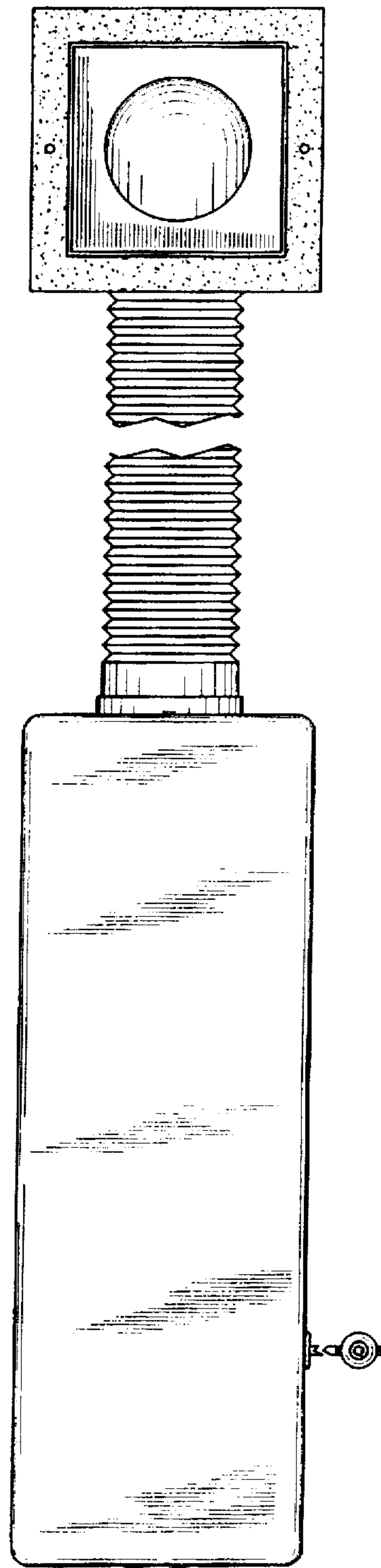


FIG. 3

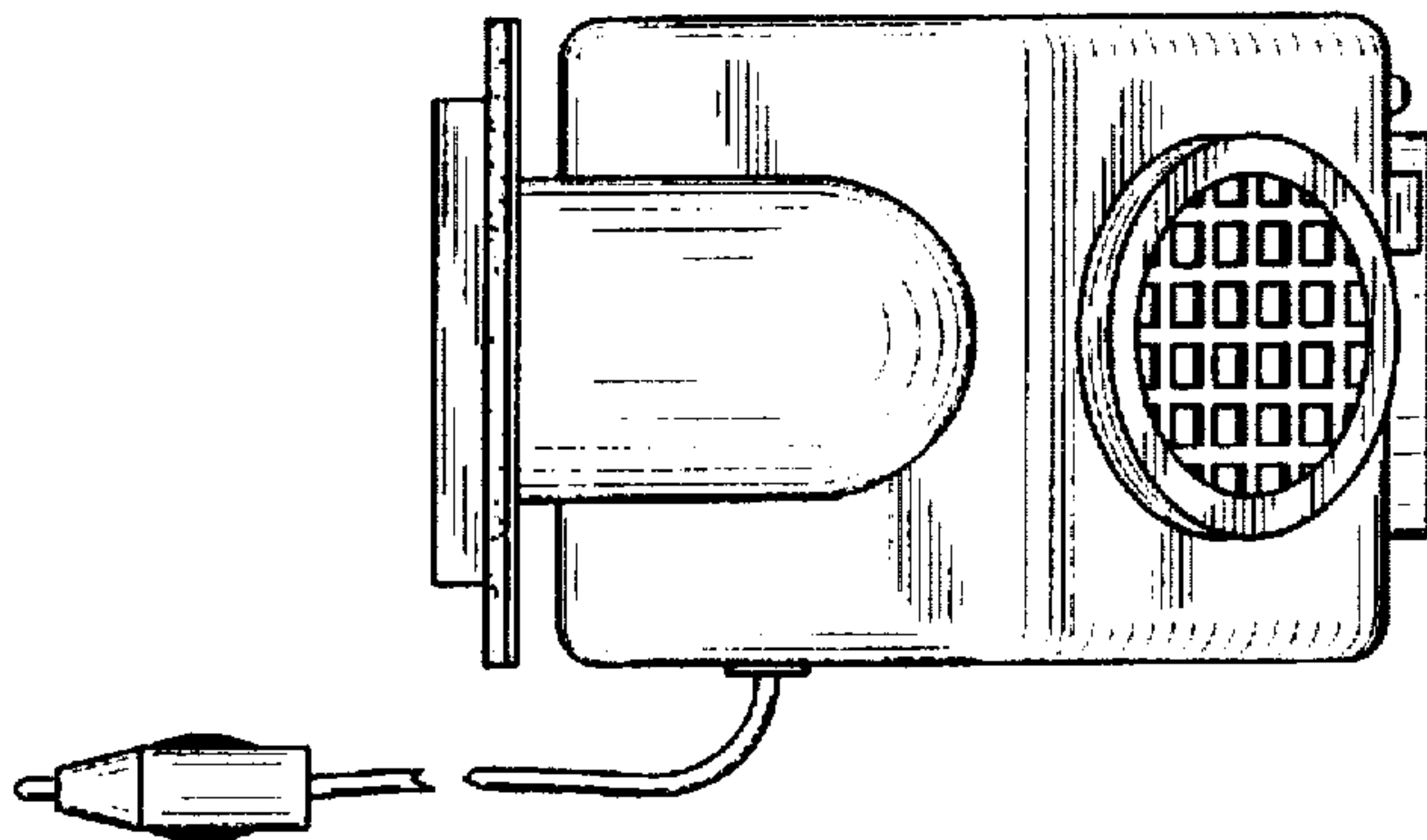


FIG. 4

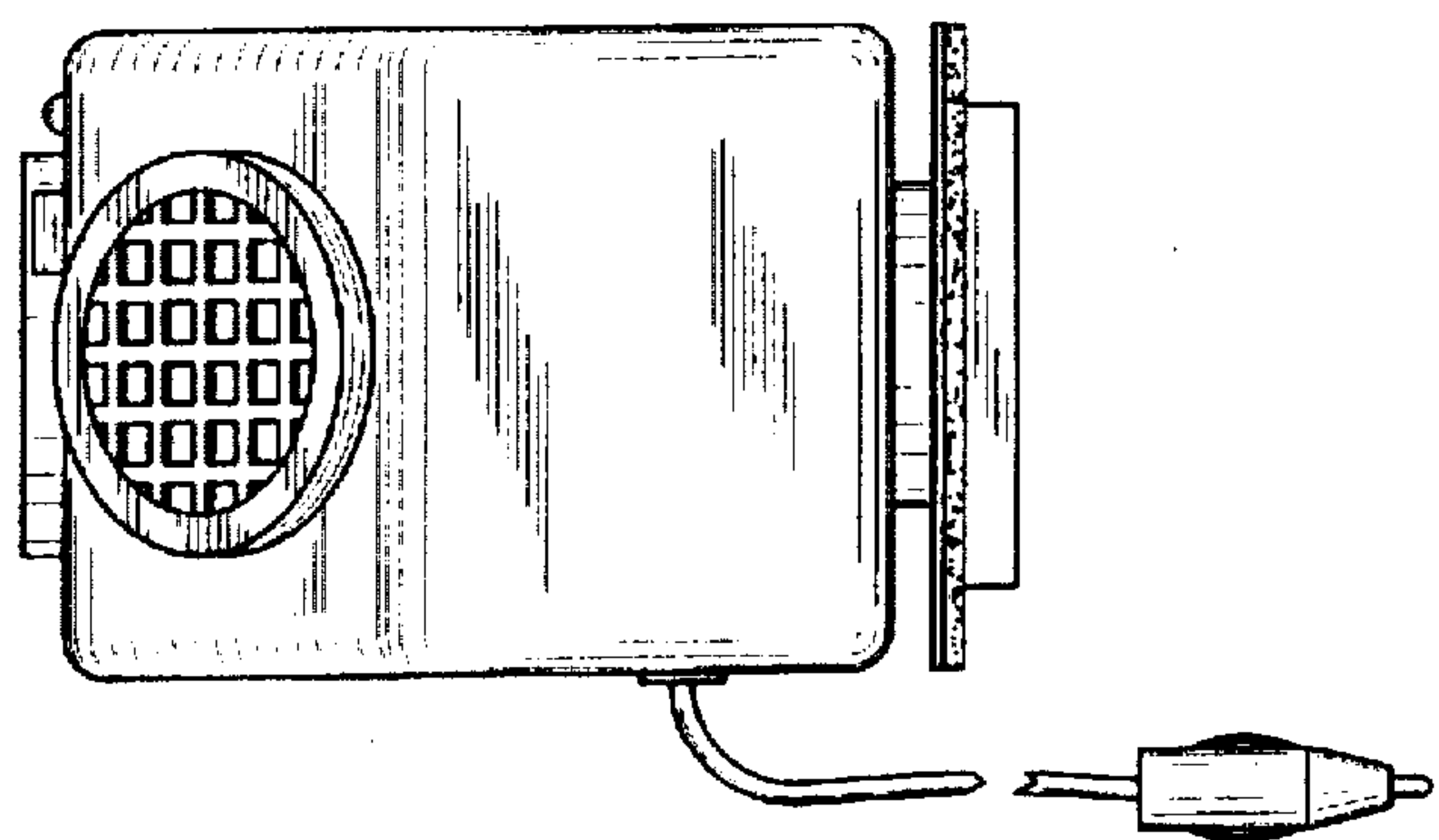


FIG. 5

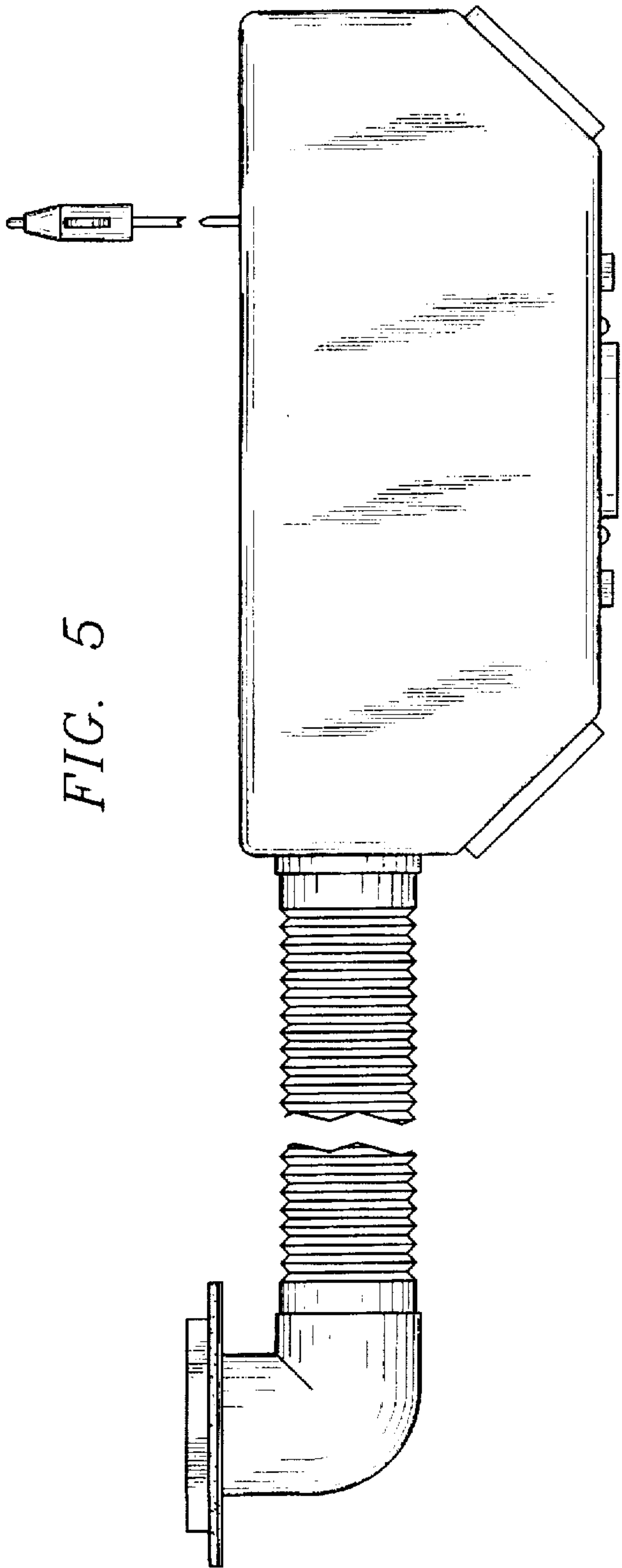


FIG. 6

