



US00D389563S

United States Patent [19]
Kergoet

[11] **Patent Number: Des. 389,563**
[45] **Date of Patent: **Jan. 20, 1998**

[54] **LAVATORY**

[75] **Inventor: Francois Kergoet, Malakoff, France**

[73] **Assignee: Jacob Delafon, Paris, France**

[**] **Term: 14 Years**

[21] **Appl. No.: 46,755**

[22] **Filed: Nov. 3, 1995**

[51] **LOC (6) Cl. 23-02**

[52] **U.S. Cl. D23/292**

[58] **Field of Search D23/284-283.1;**
4/619, 624, 625, 638-650

[56] **References Cited**

U.S. PATENT DOCUMENTS

D. 295,071	4/1988	Kohler, Jr. et al.	D23/283.1
D. 314,612	2/1991	Sauter et al.	D23/283.1
D. 332,654	1/1993	Reid et al.	D23/308
D. 337,377	7/1993	Bonnell et al.	D23/284
D. 340,969	11/1993	Kohler, Jr. et al.	D23/283.1
D. 340,970	11/1993	Kohler, Jr. et al.	D23/283.1

OTHER PUBLICATIONS

Undated catalog ad (unknown supplier), p. M2, showing a shroud, admitted prior art.

Undated Ceramica Sanitaria catalog ad showing a "Cesame" lavatory, admitted prior art.

(List continued on next page.)

Primary Examiner—Louis S. Zarfaz
Assistant Examiner—Eric Watterson
Attorney, Agent, or Firm—Quarles & Brady

[57] **CLAIM**

The ornamental design for a lavatory, as shown and described.

DESCRIPTION

FIG. 1 is a right, top, front perspective view of a lavatory embodying my new design;

FIG. 2 is a front elevational view thereof;

FIG. 3 is a left side elevational view thereof, the right side elevational view being a mirror image of the left side shown;

FIG. 4 is a top plan view thereof;

FIG. 5 is a rear elevational view thereof;

FIG. 6 is a bottom plan view thereof;

FIG. 7 is a cross-sectional view taken along line 7—7 of FIG. 4;

FIG. 8 is a partial cross-sectional view taken along line 8—8 of FIG. 4;

FIG. 9 is a front elevational view of a second embodiment, the perspective view and the top plan view of the second embodiment being essentially identical to those of the first embodiment;

FIG. 10 is a left side elevational view thereof, the right side elevational view being a mirror image of the left side shown;

FIG. 11 is a bottom plan view thereof;

FIG. 12 is a rear elevational view thereof;

FIG. 13 is a right, top, front perspective view of a third embodiment, the top plan view of the third embodiment being essentially identical to that of the first embodiment;

FIG. 14 is a front elevational view thereof;

FIG. 15 is a left side elevational view thereof, the right side elevational view being a mirror image of the left side shown;

FIG. 16 is a rear elevational view thereof;

FIG. 17 is a bottom plan view thereof;

FIG. 18 is a left side elevational view of a fourth embodiment, identical to the third embodiment but having a small shroud, the right side elevational view being a mirror image of the left side shown;

FIG. 19 is a bottom plan view thereof;

FIG. 20 is a front elevational view of a fifth embodiment, the top plan view of the fifth embodiment being essentially identical to that of the first embodiment;

FIG. 21 is a left side elevational view thereof, the right side elevational view being a mirror image of the left side shown;

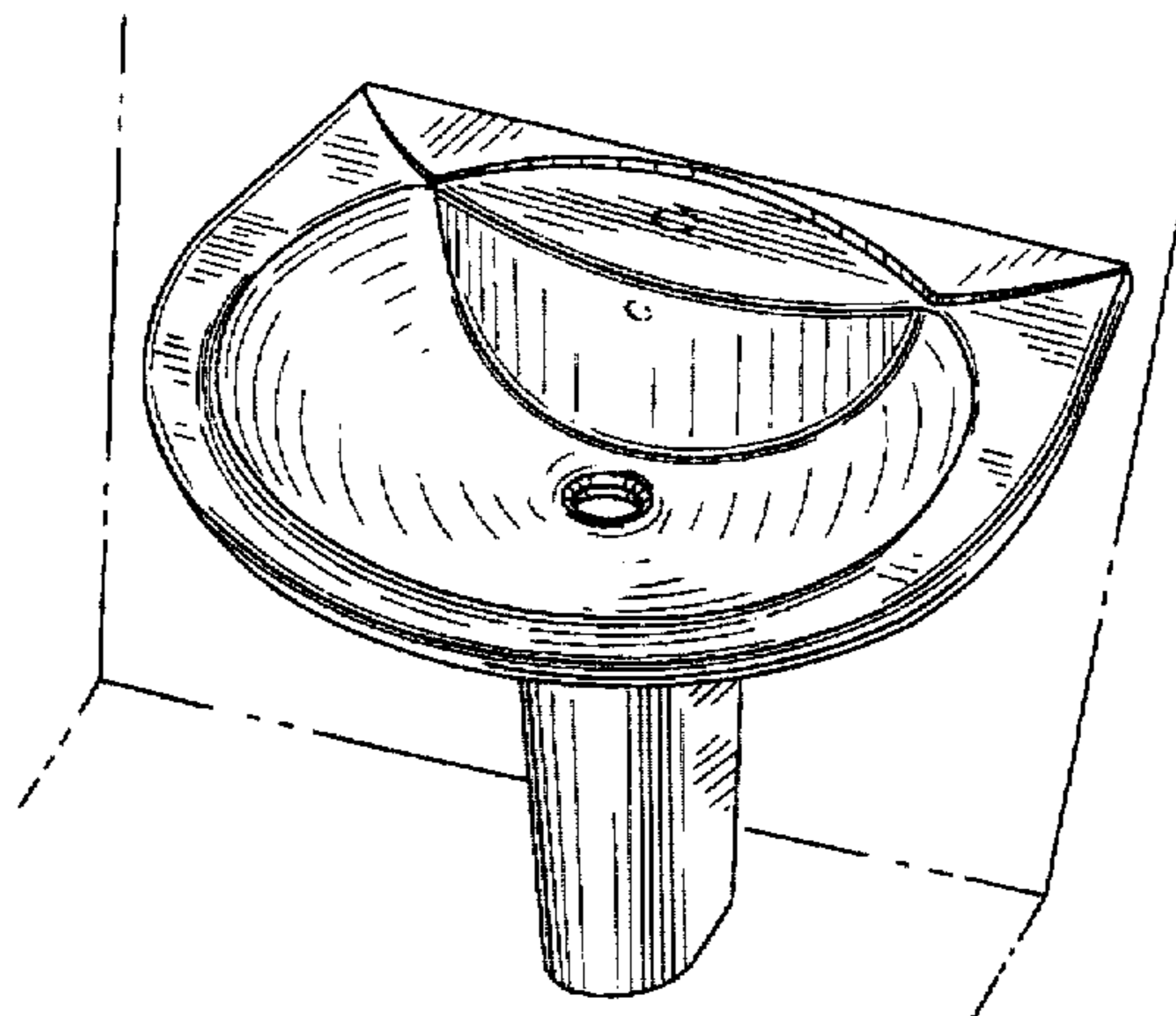
FIG. 22 is a rear elevational view thereof; and,

FIG. 23 is a bottom plan view thereof.

The broken line representations of holes and bathroom walls in FIGS. 1 and 13 are for purposes of illustration only, and form no part of the claimed design.

The characteristic feature of my design resides in design lines extending from the rear corners of the basin to the rear corners of the rim.

1 Claim, 15 Drawing Sheets



OTHER PUBLICATIONS

Undated Burgess International catalog ad showing a
"Median" lavatory with pedestal, admitted prior art.

1995 Kohler catalog ad p. 117, showing pedestal lavatories,
admitted prior art.

Undated Ceramica Catalano catalog ad showing lavatory,
admitted prior art.

Dec. 1988 Pozzi-Ginori catalog ad showing wash basin.

FIG. 1

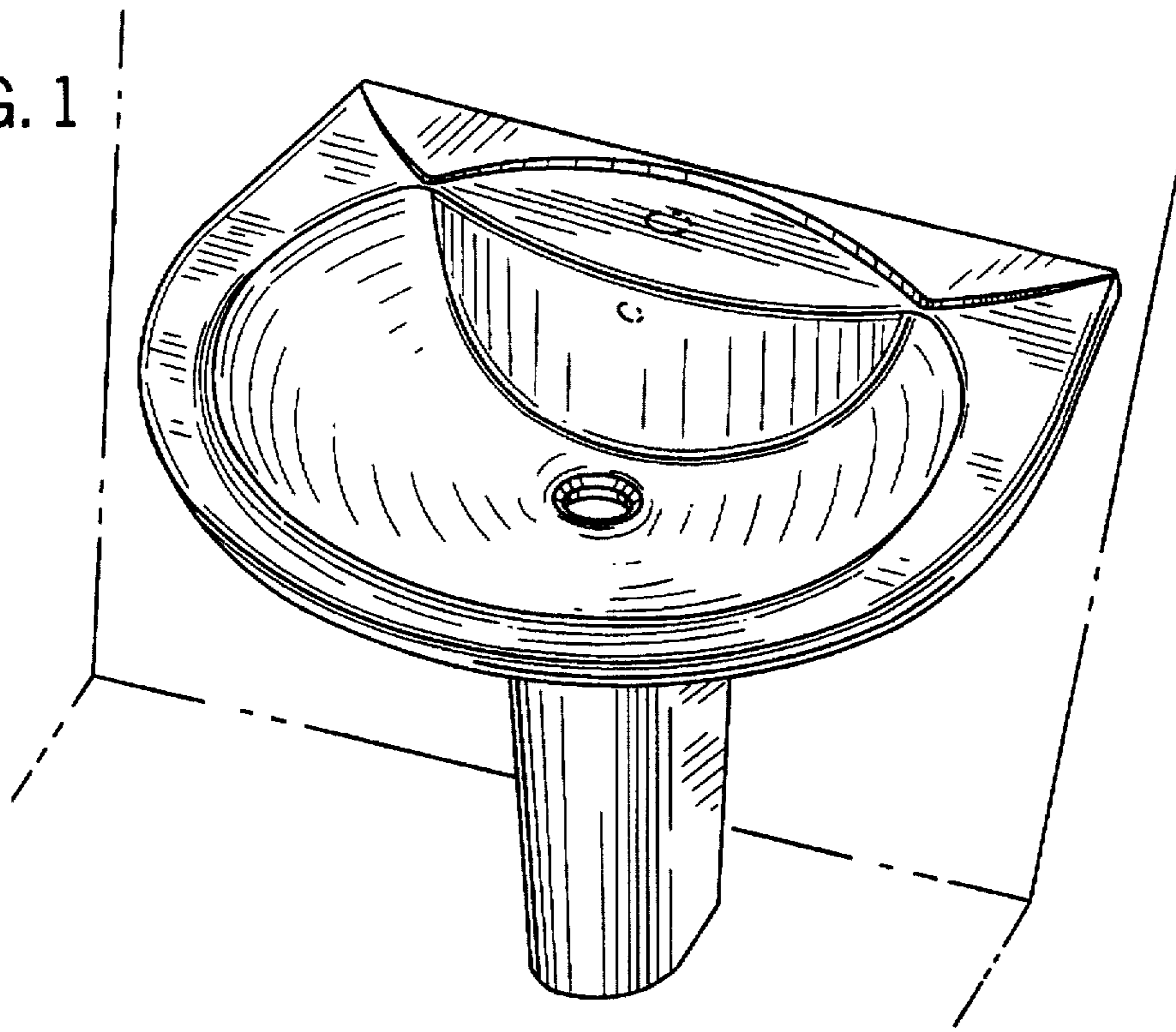


FIG. 4

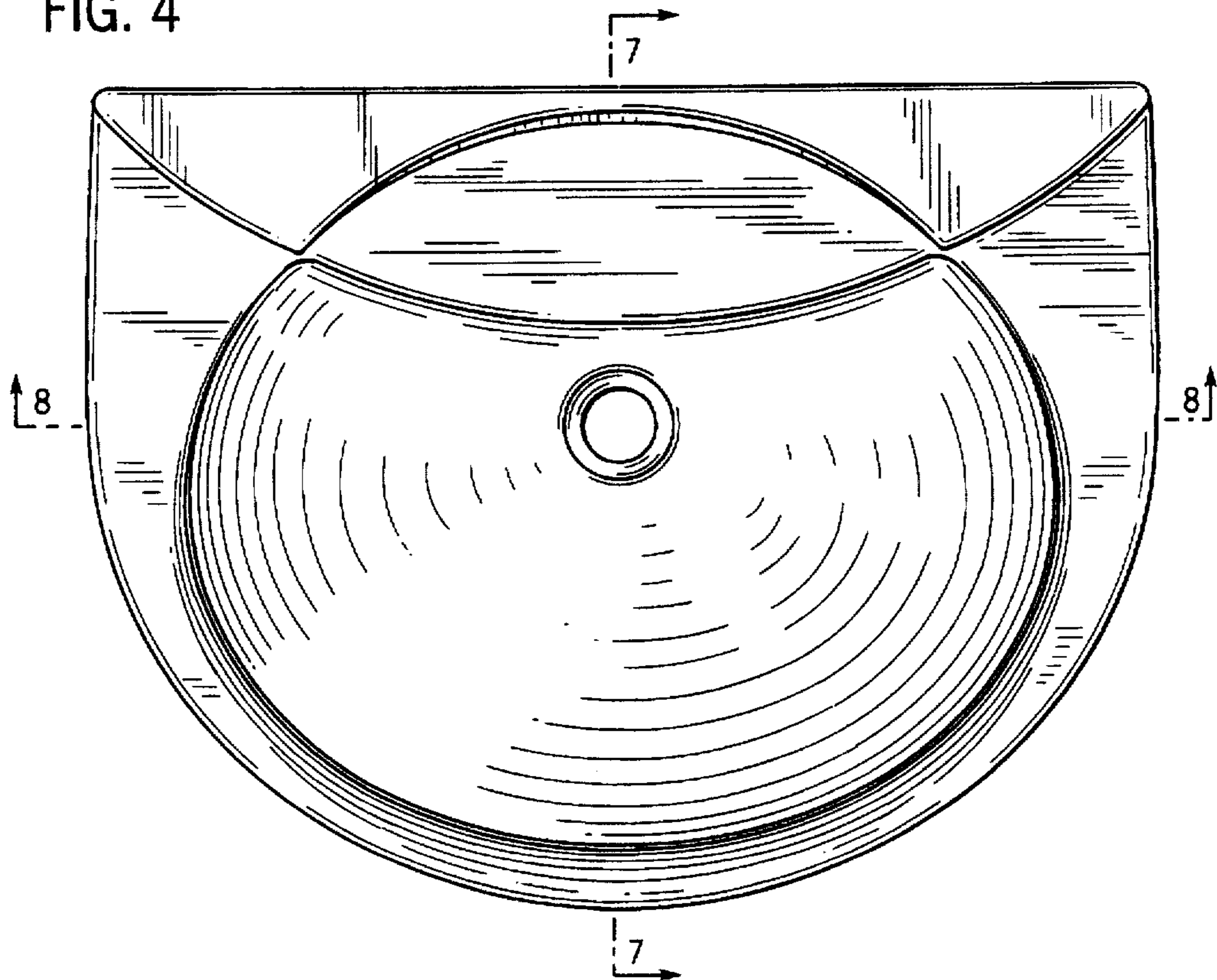


FIG. 2

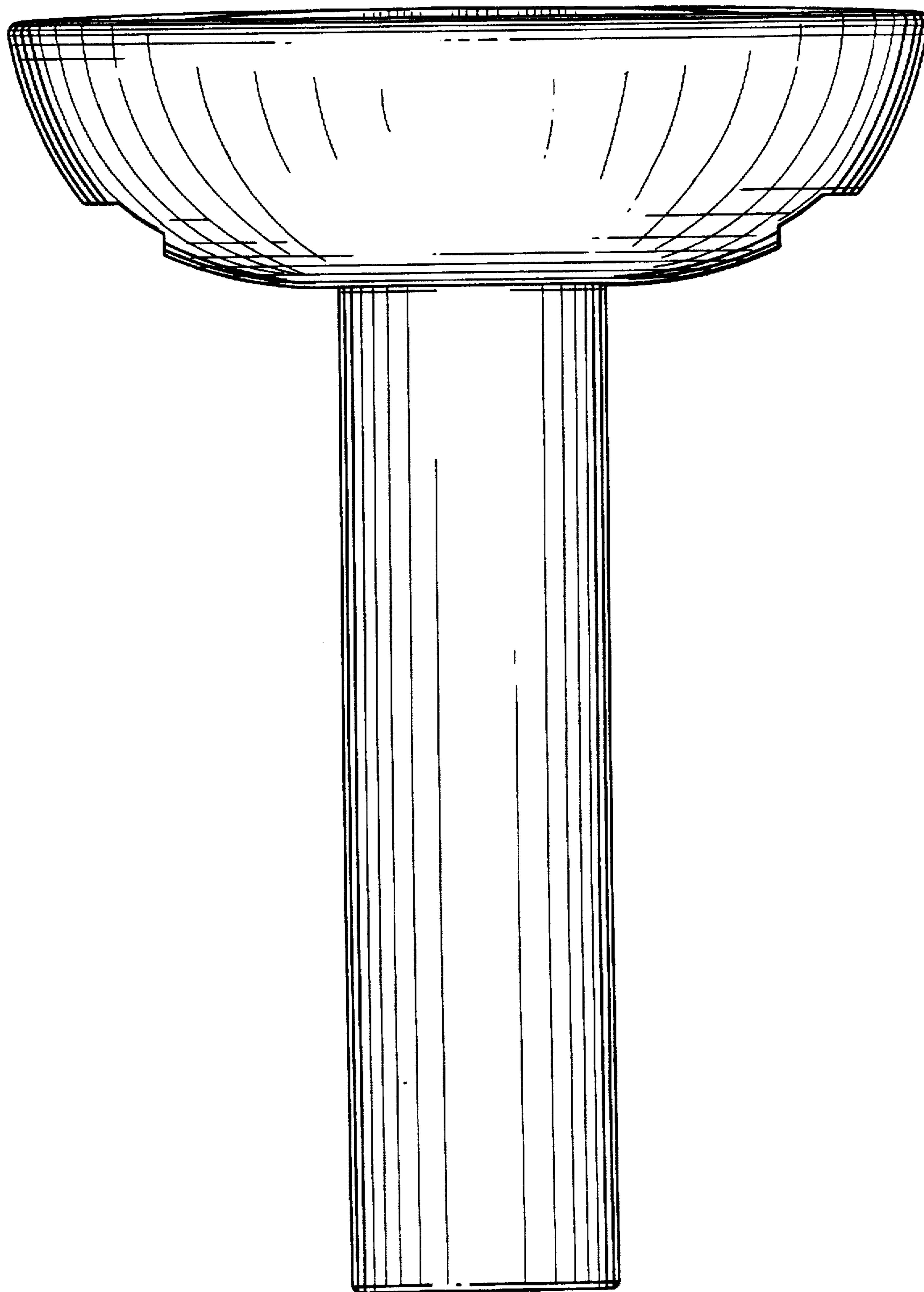


FIG. 3

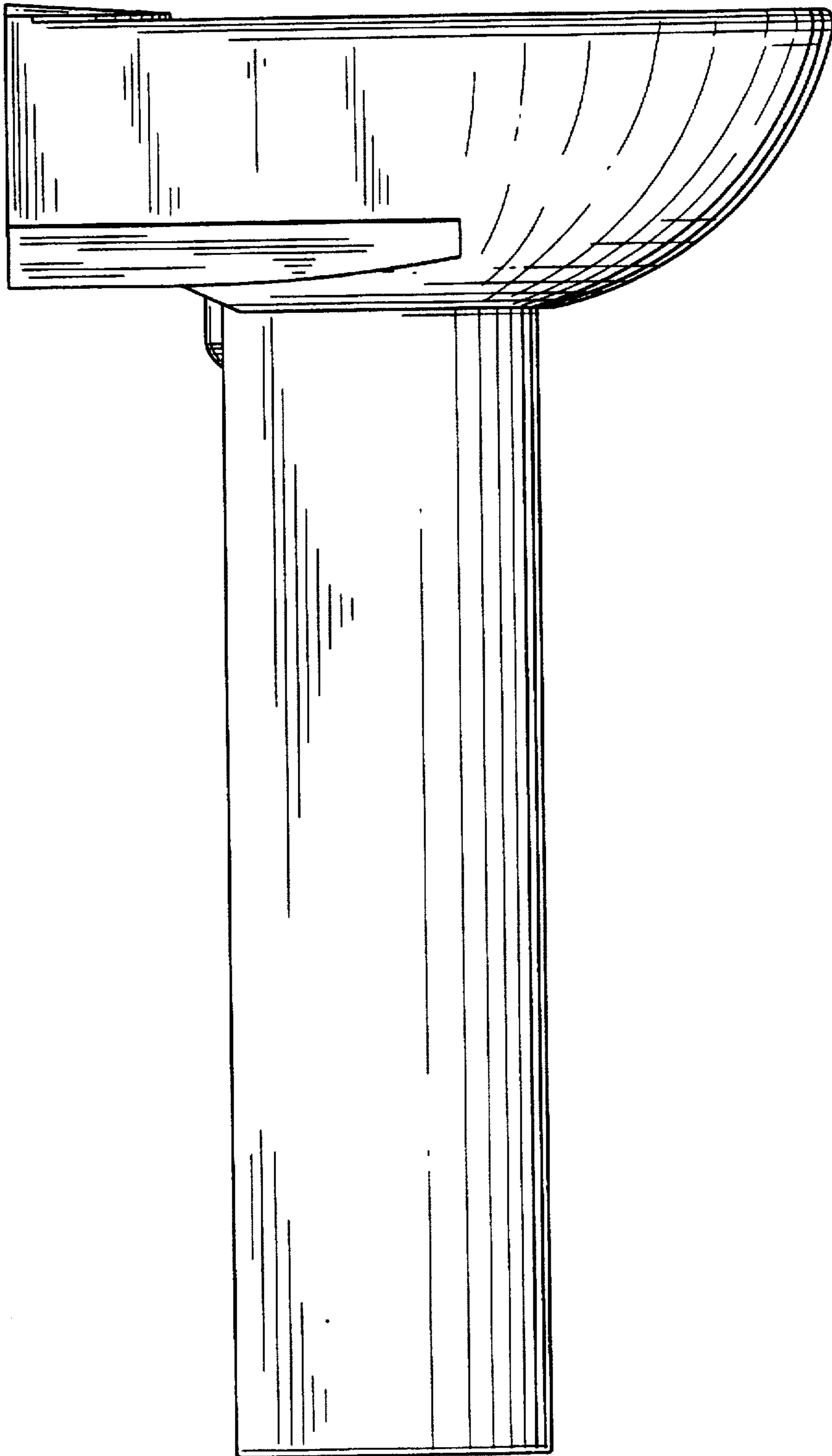


FIG. 5

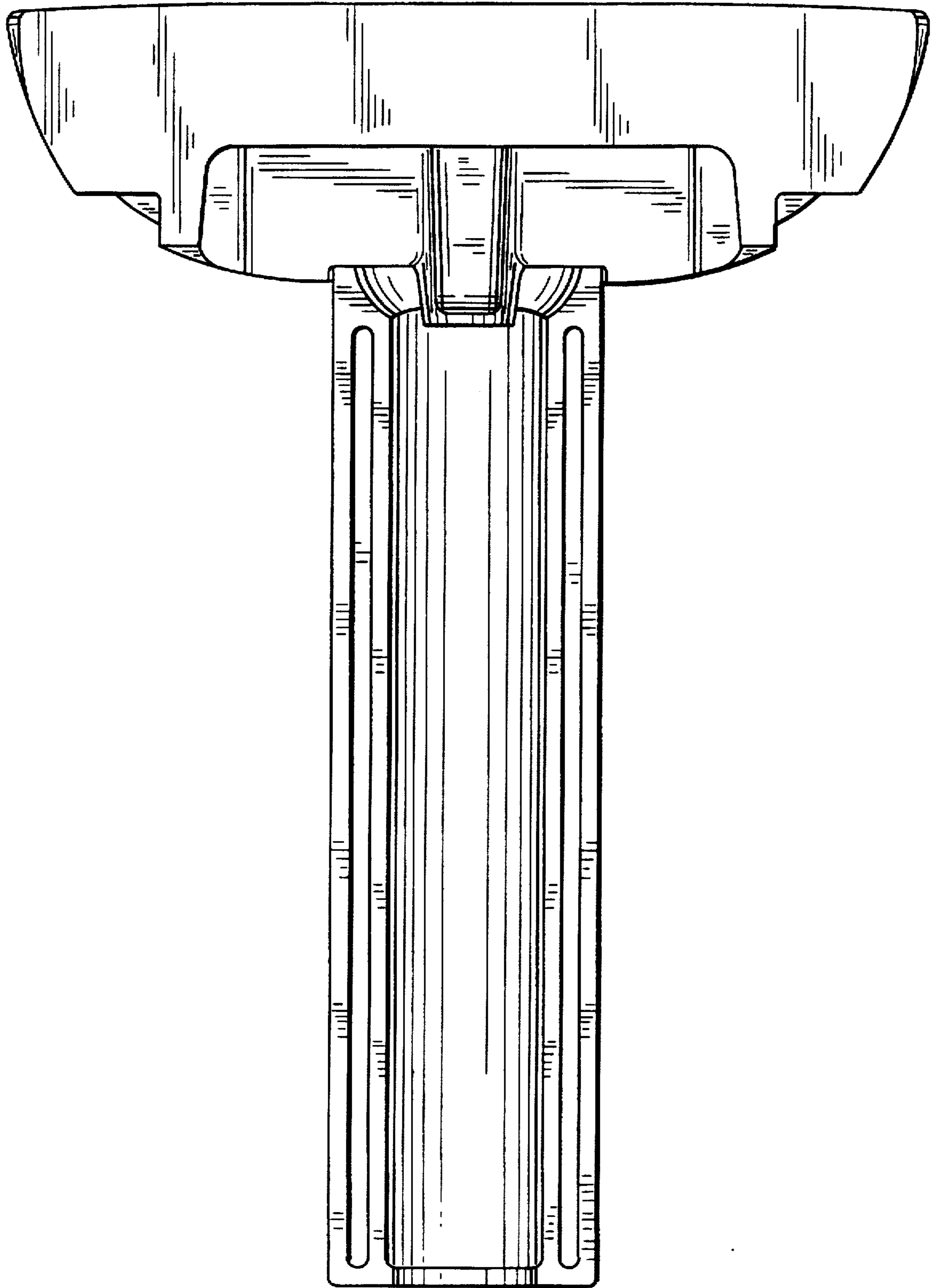


FIG. 6

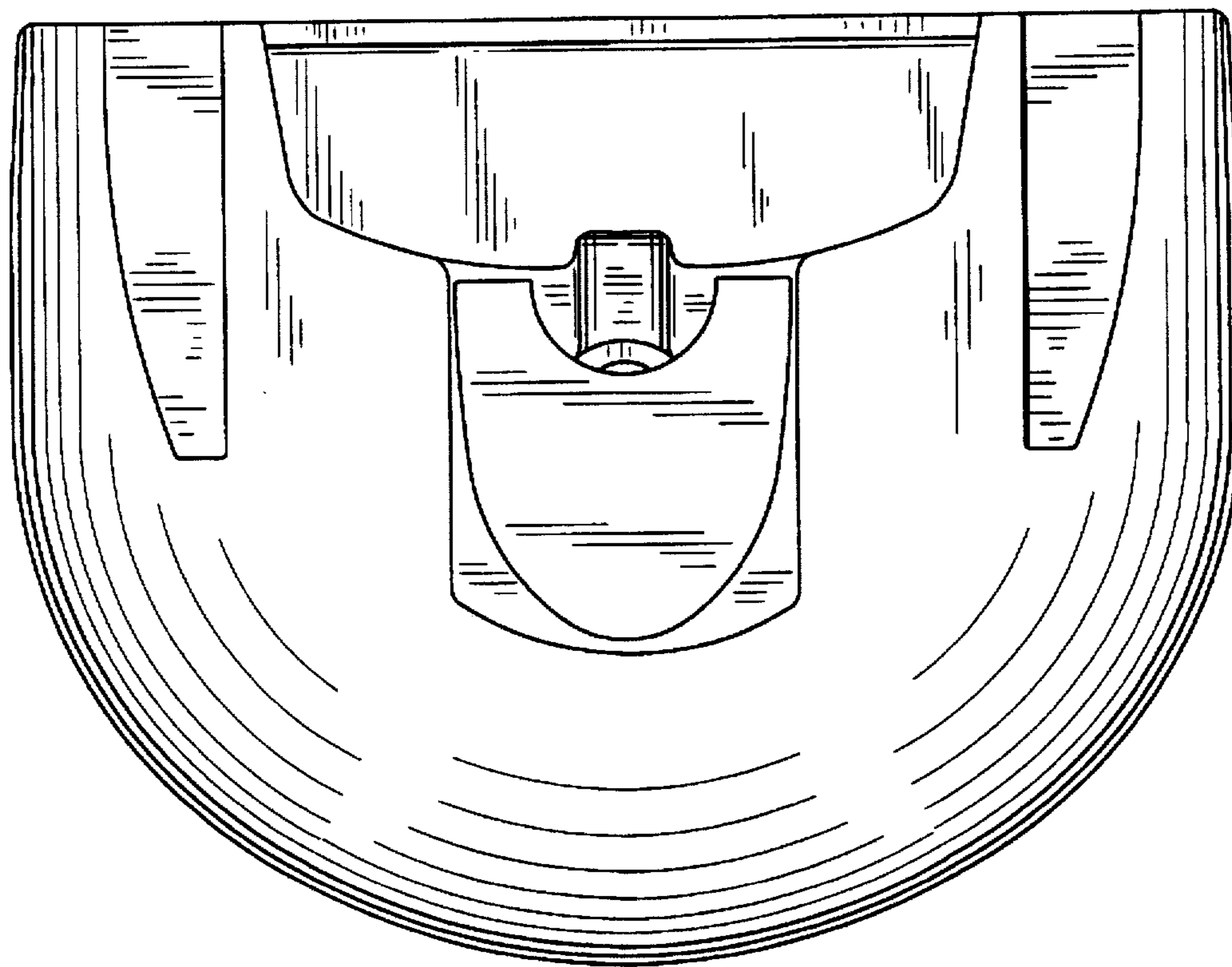


FIG. 7

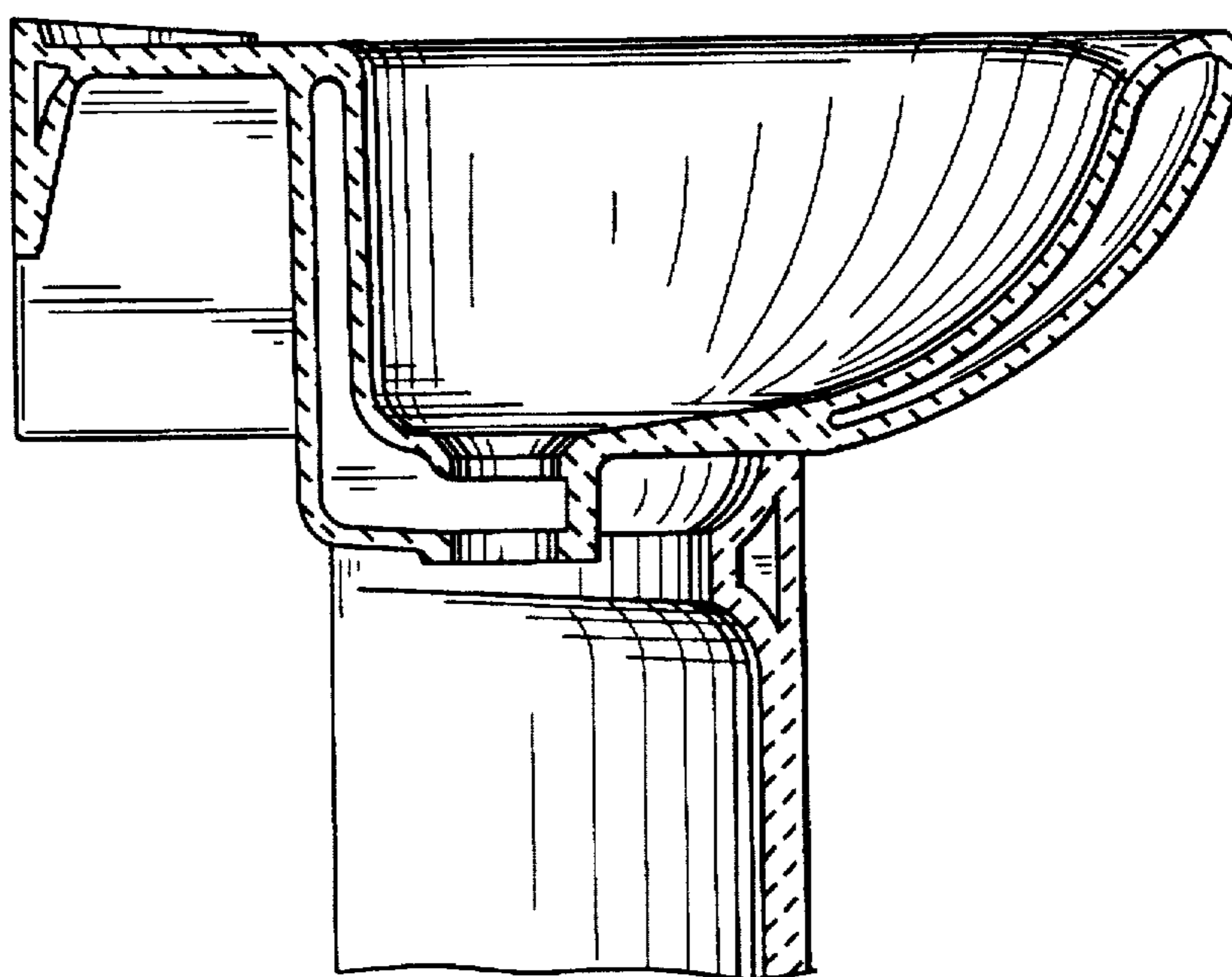


FIG. 8

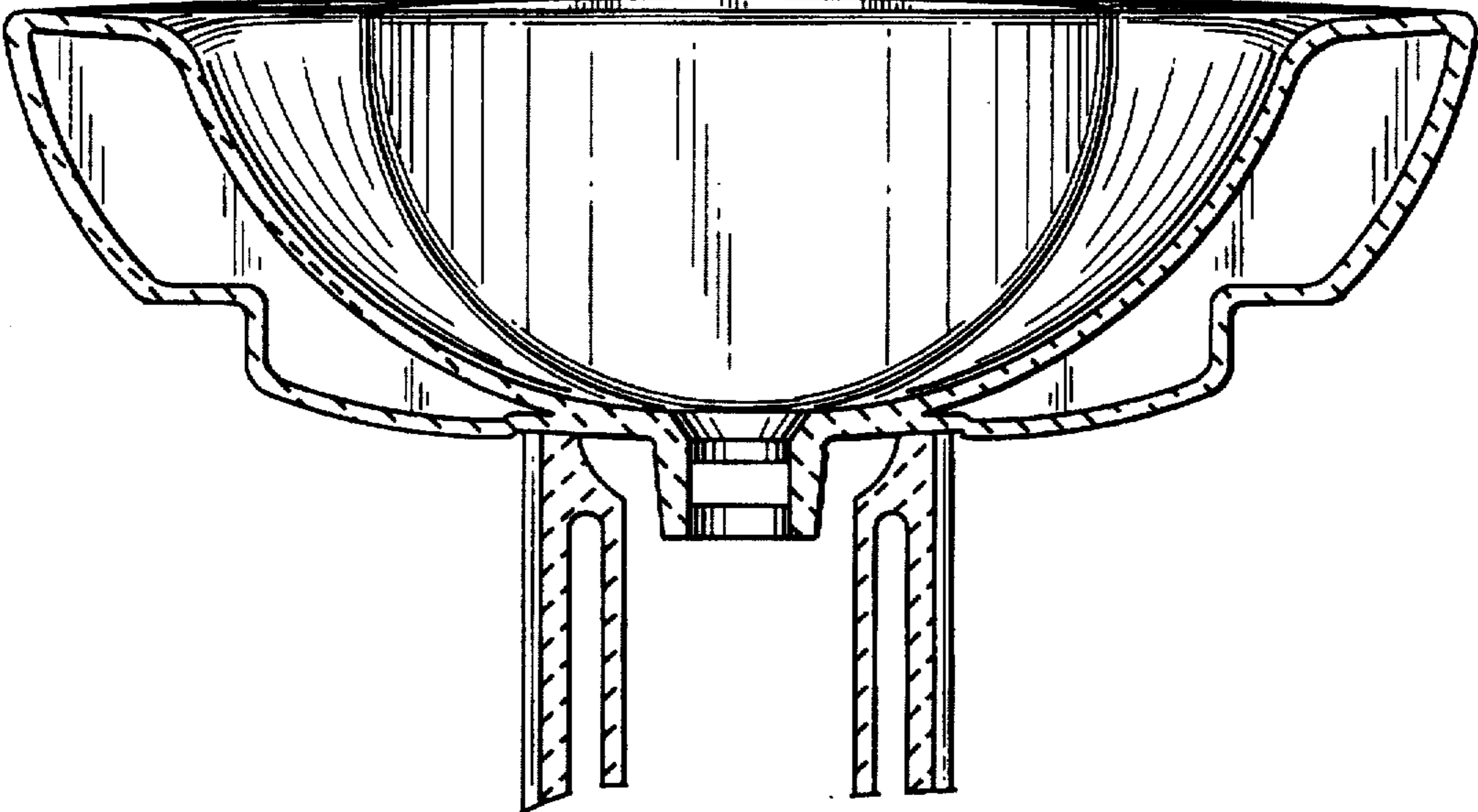


FIG. 11

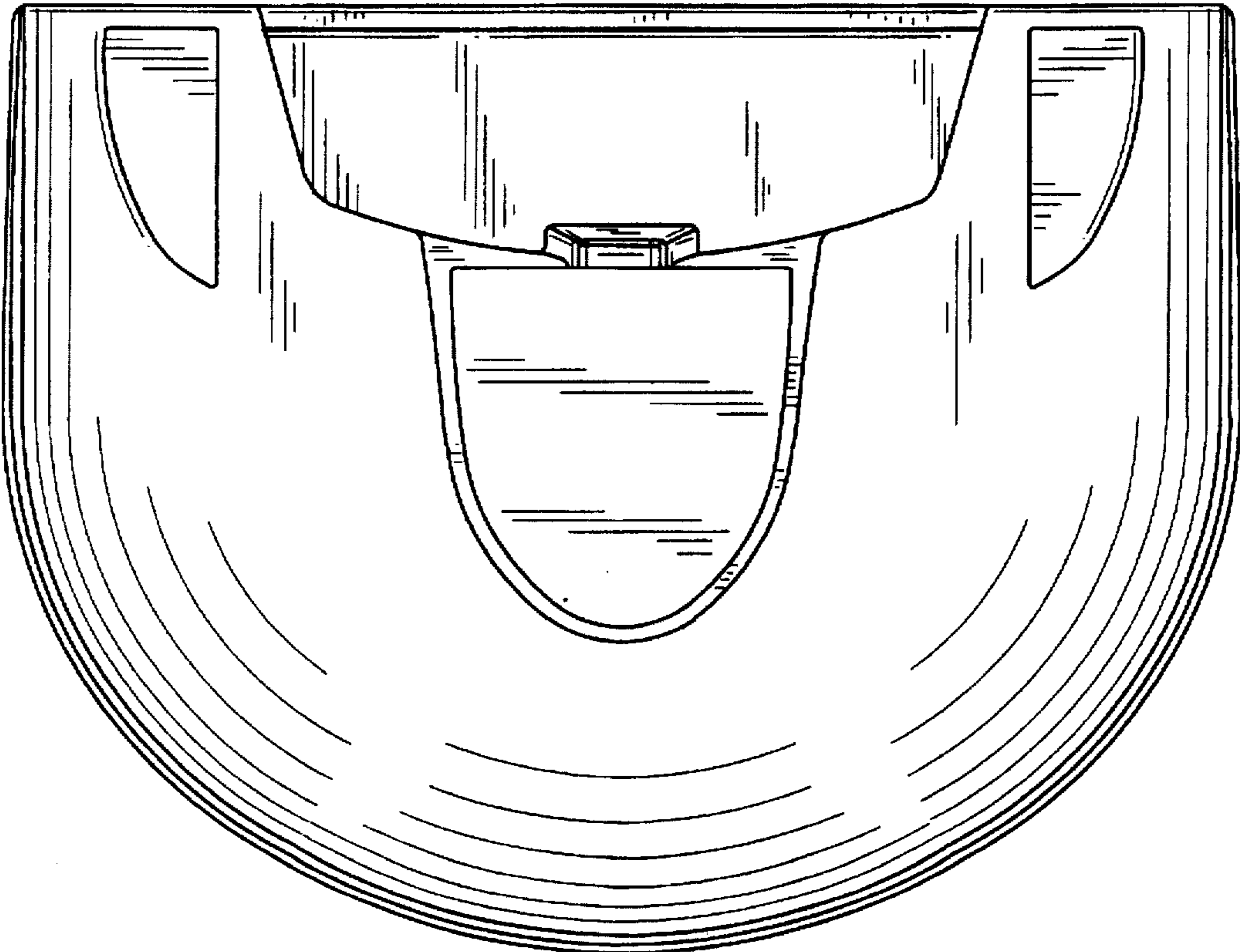


FIG. 9

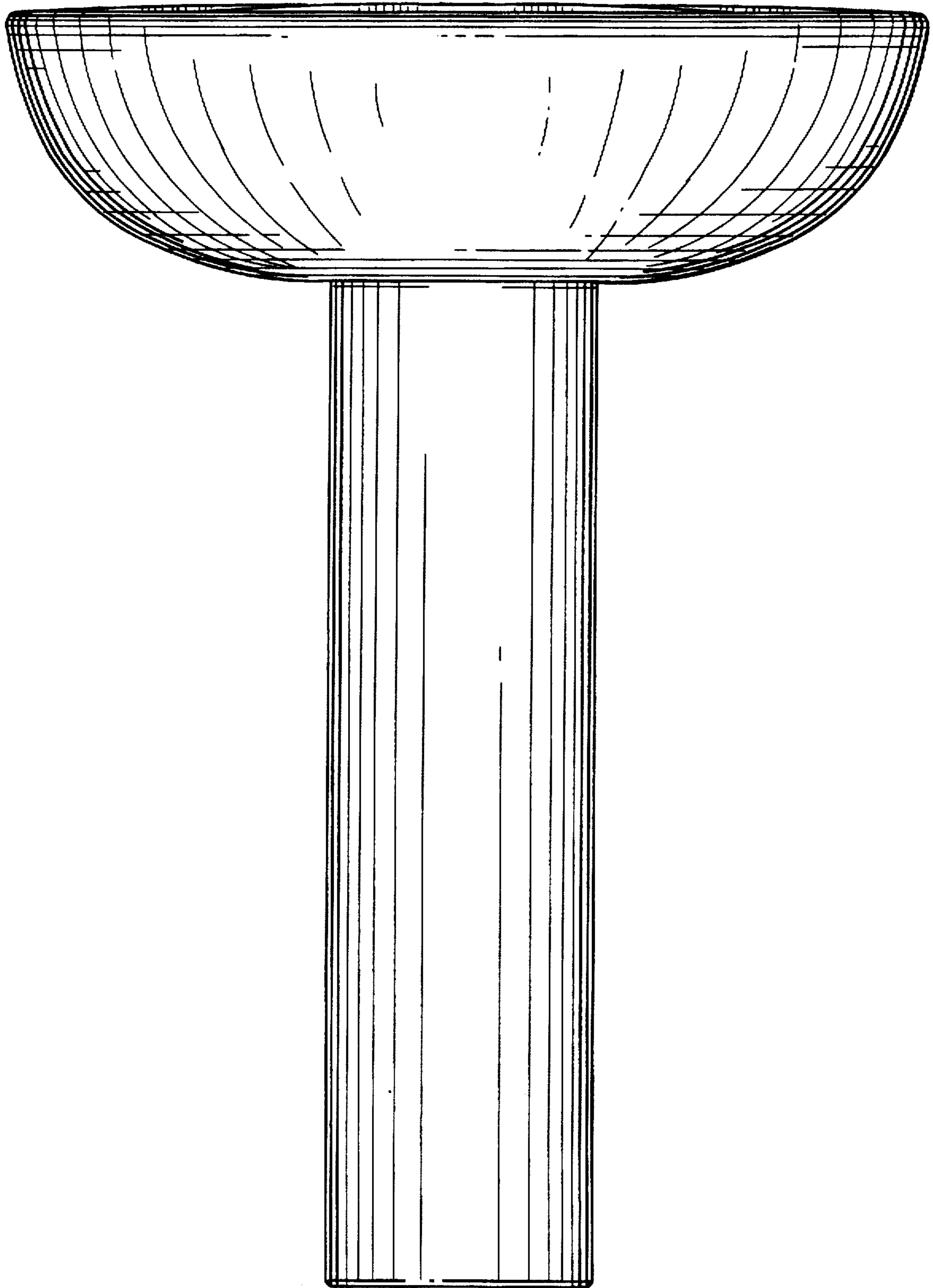


FIG. 10

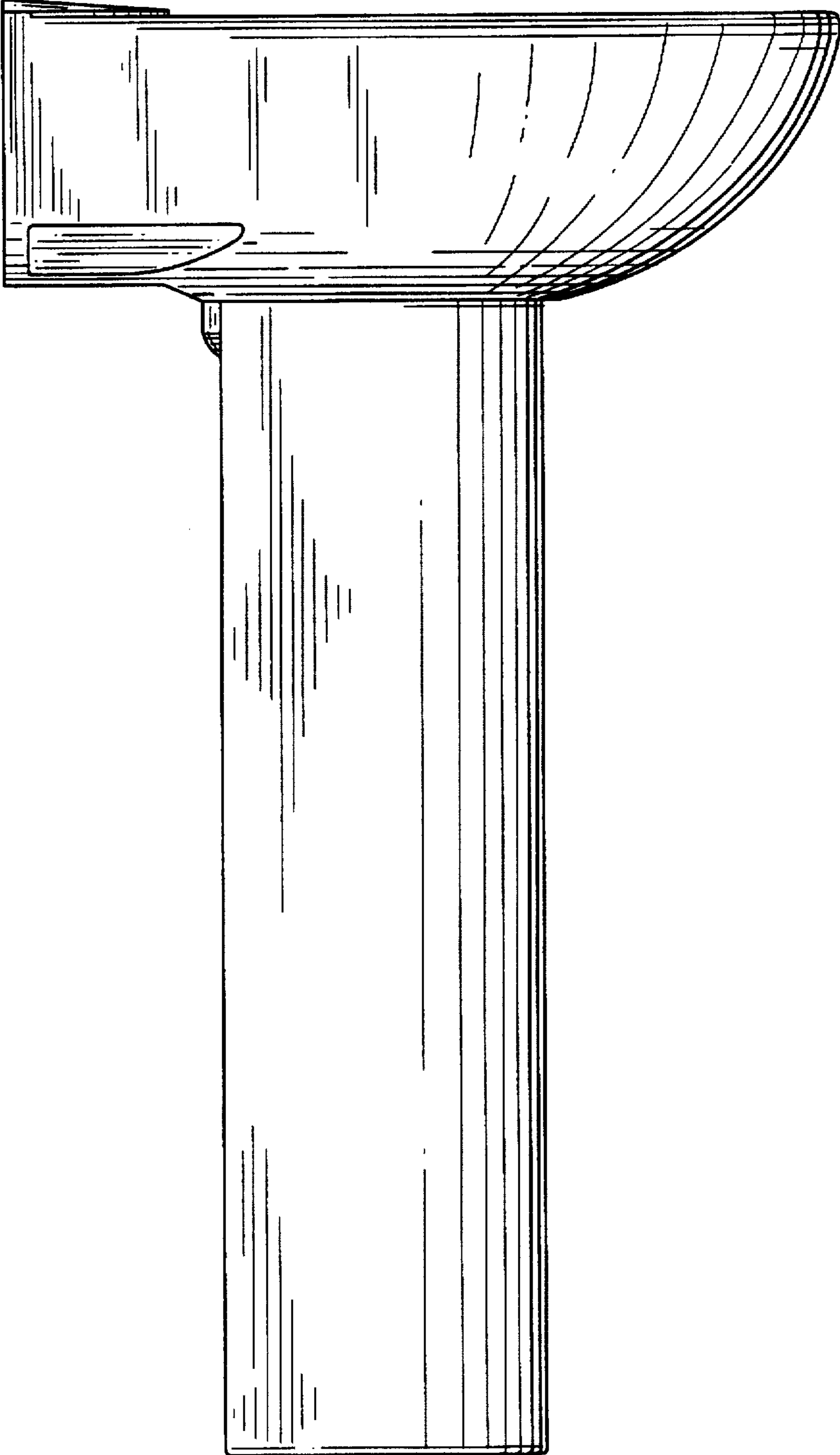


FIG. 12

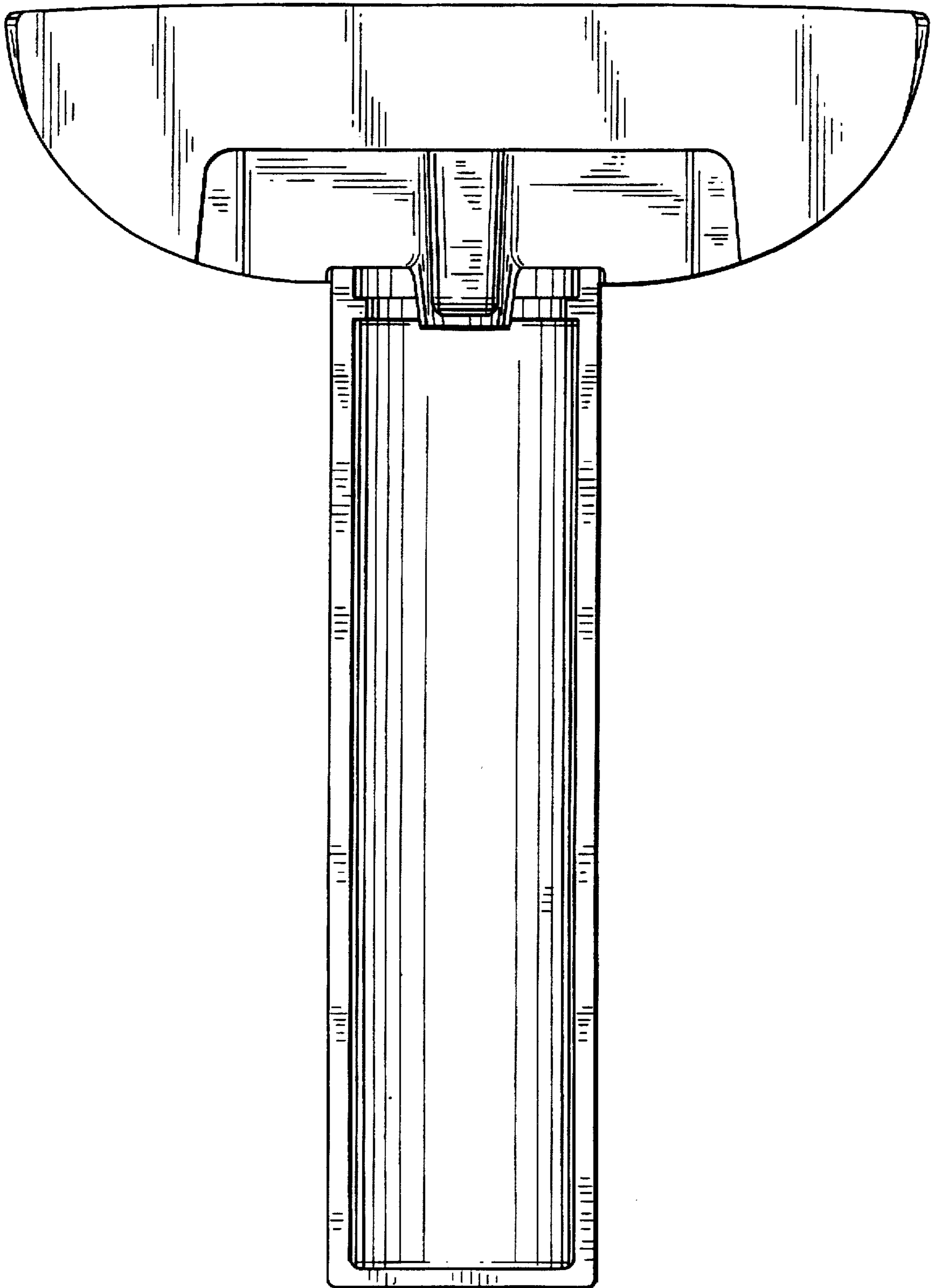


FIG. 13

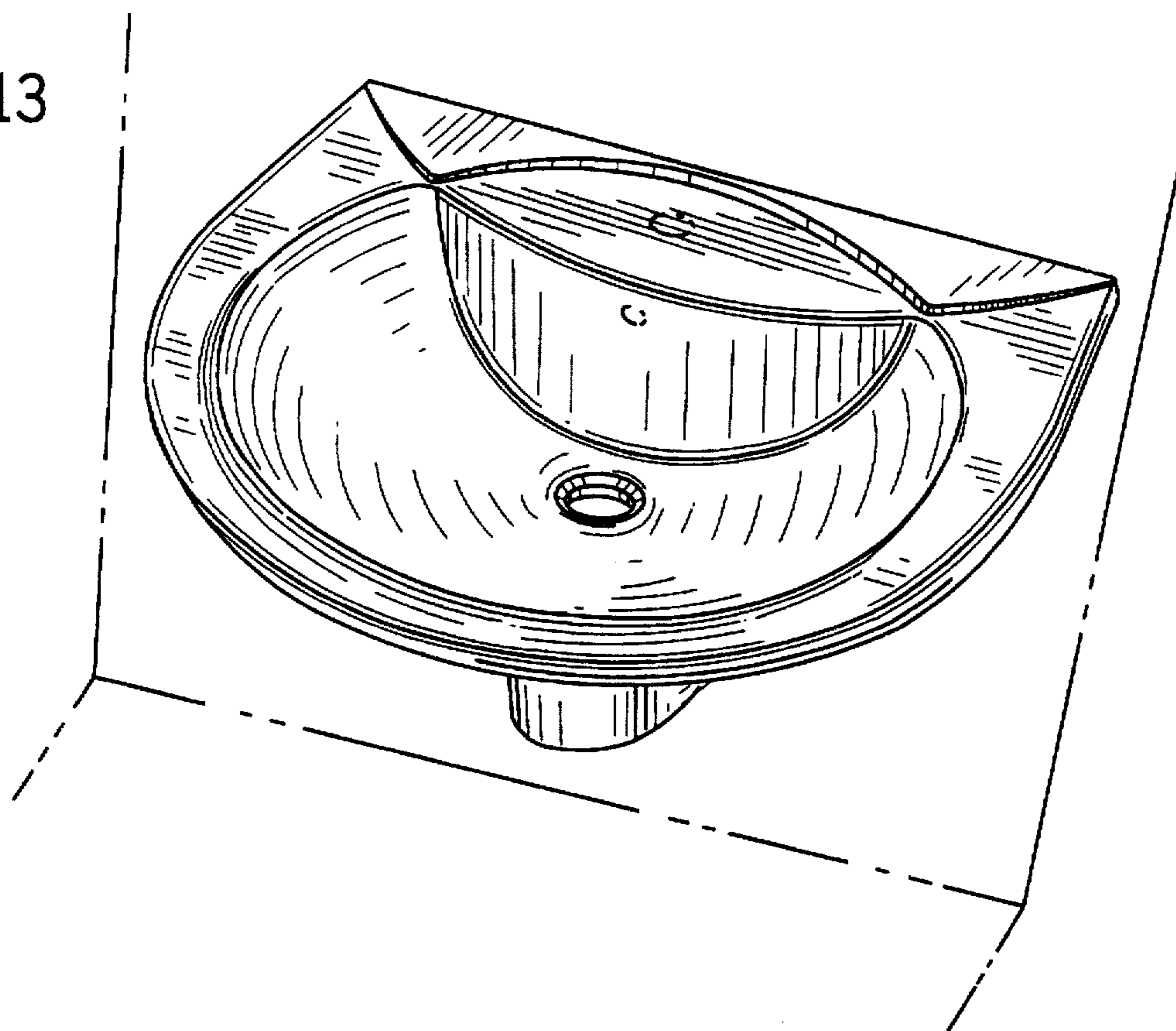


FIG. 14

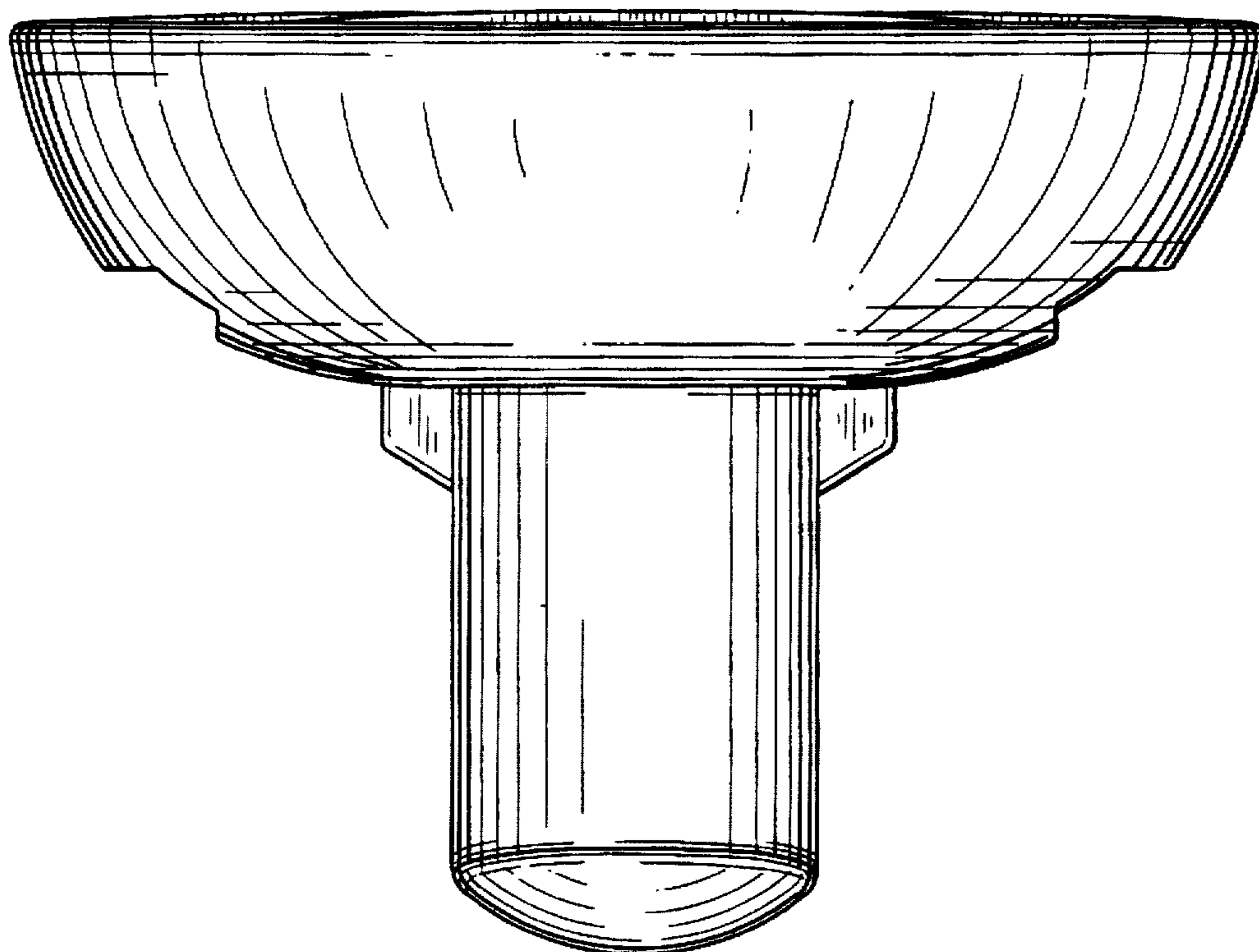


FIG. 15

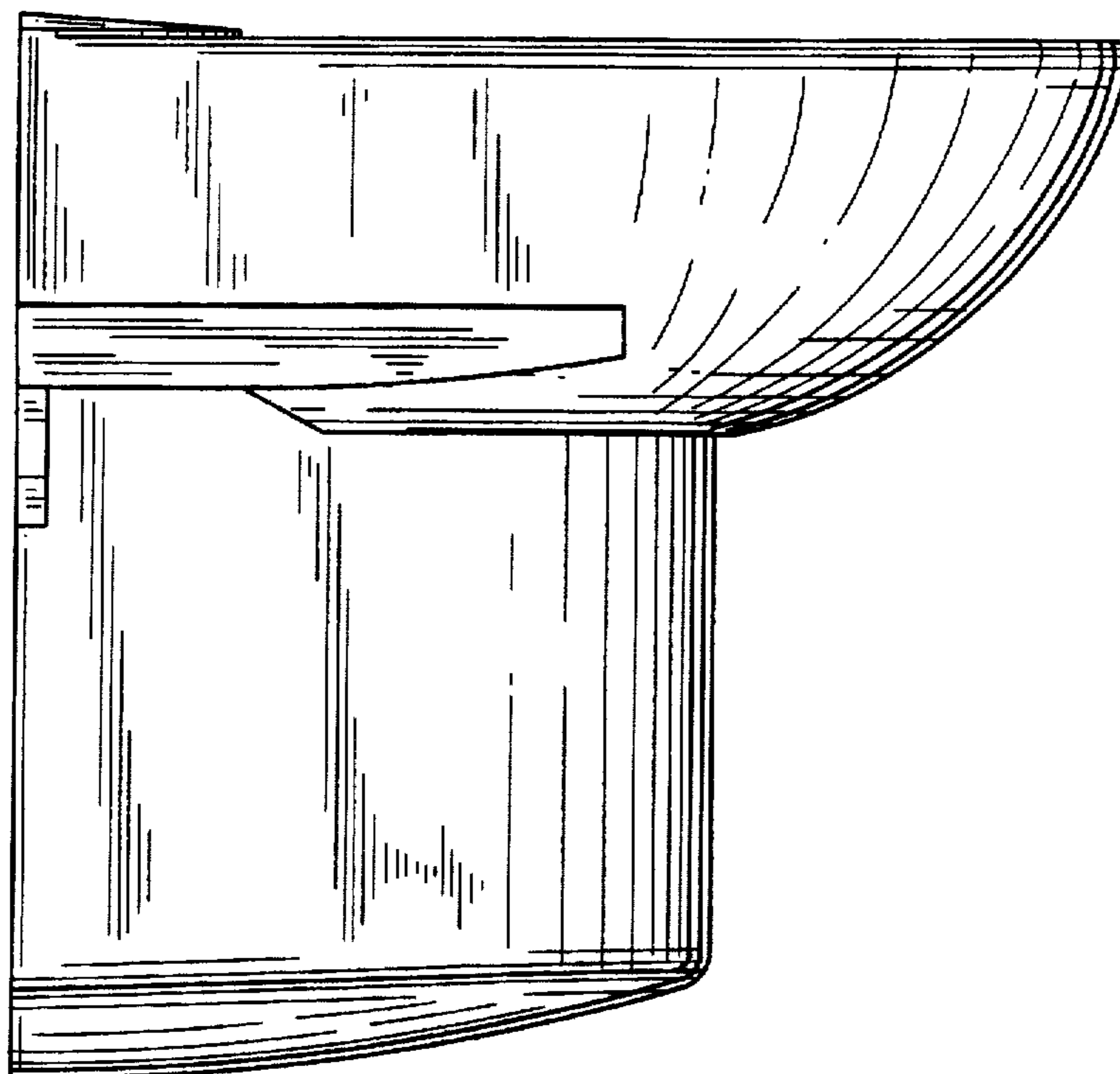


FIG. 16

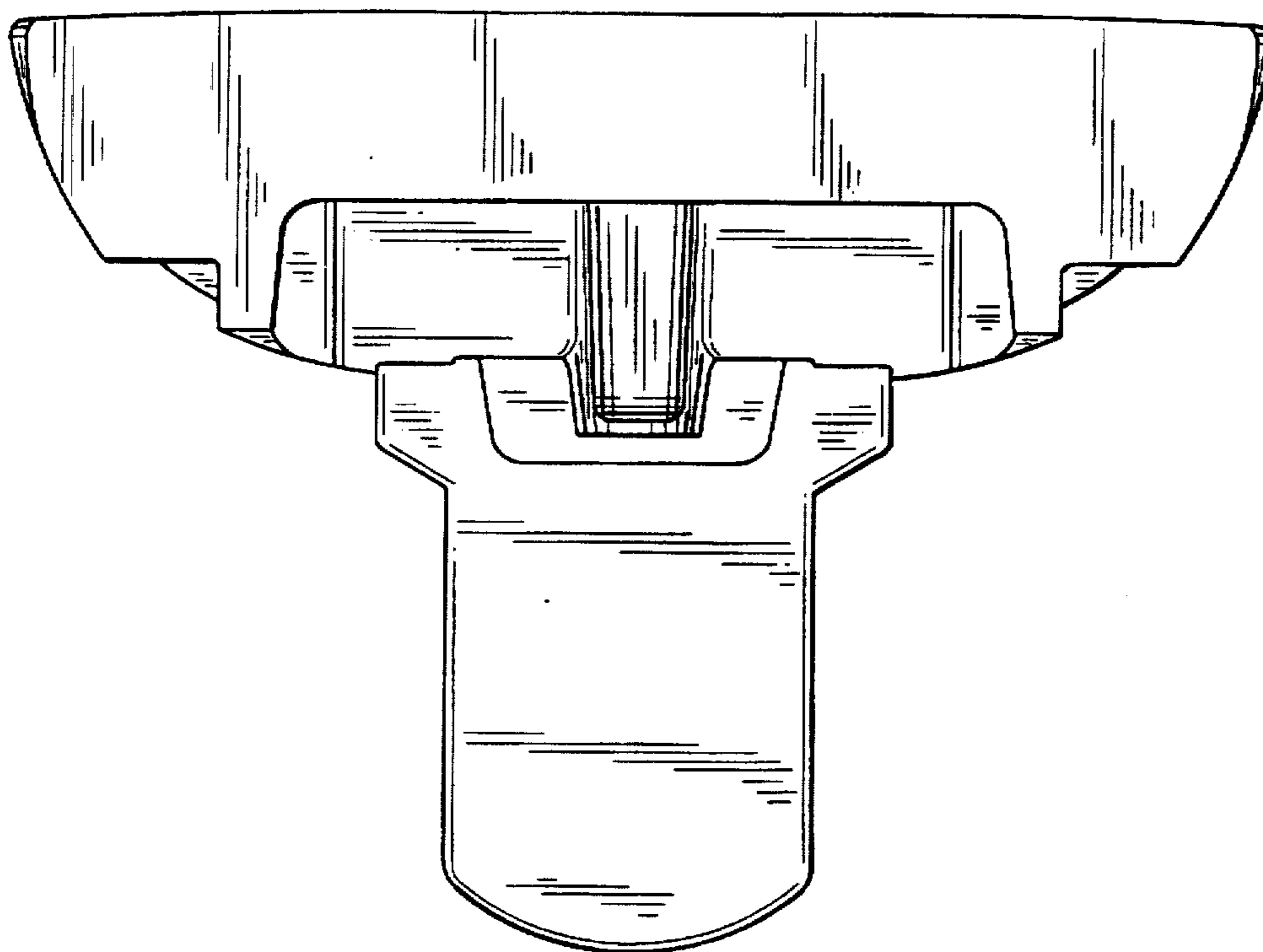


FIG. 17

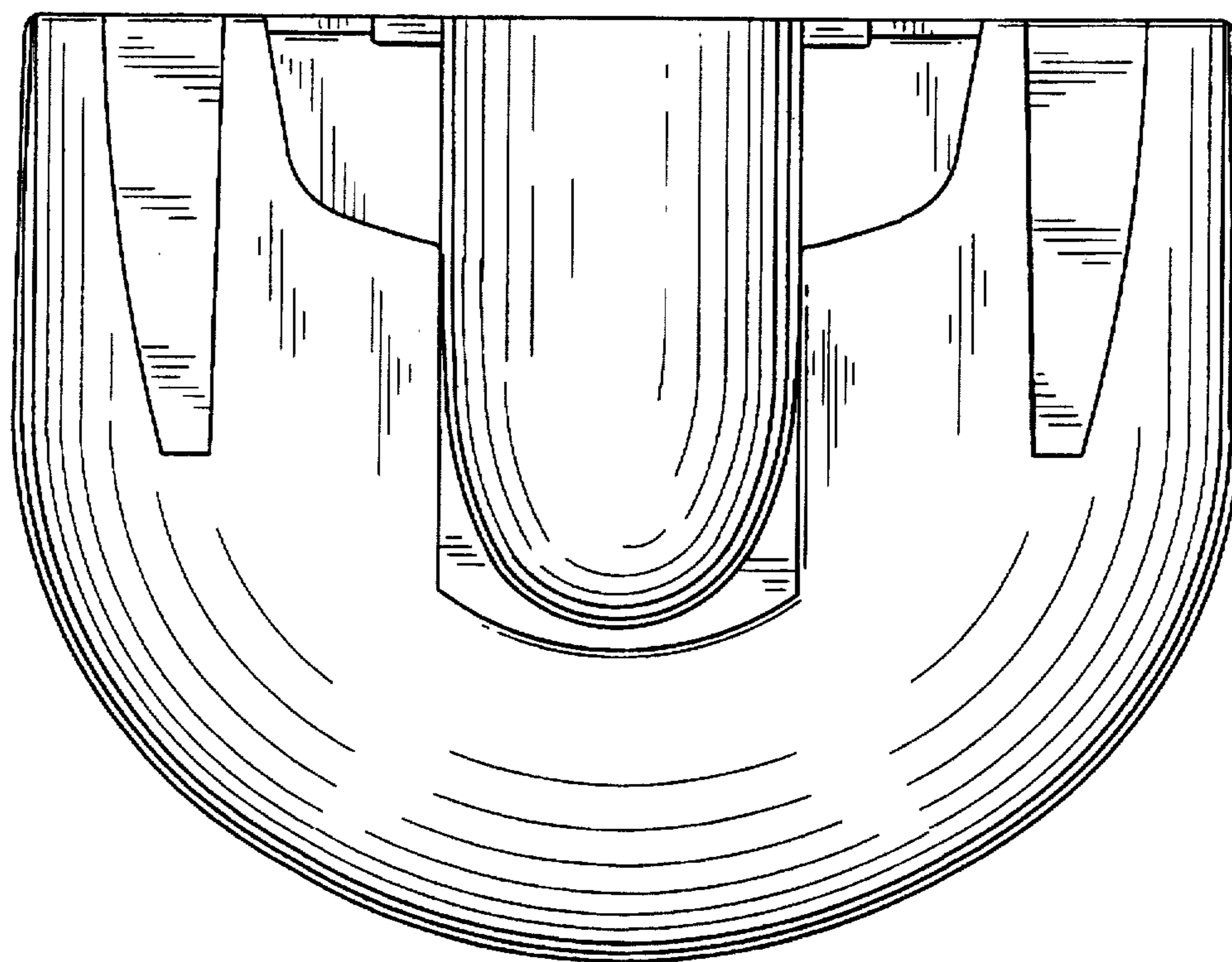


FIG. 18

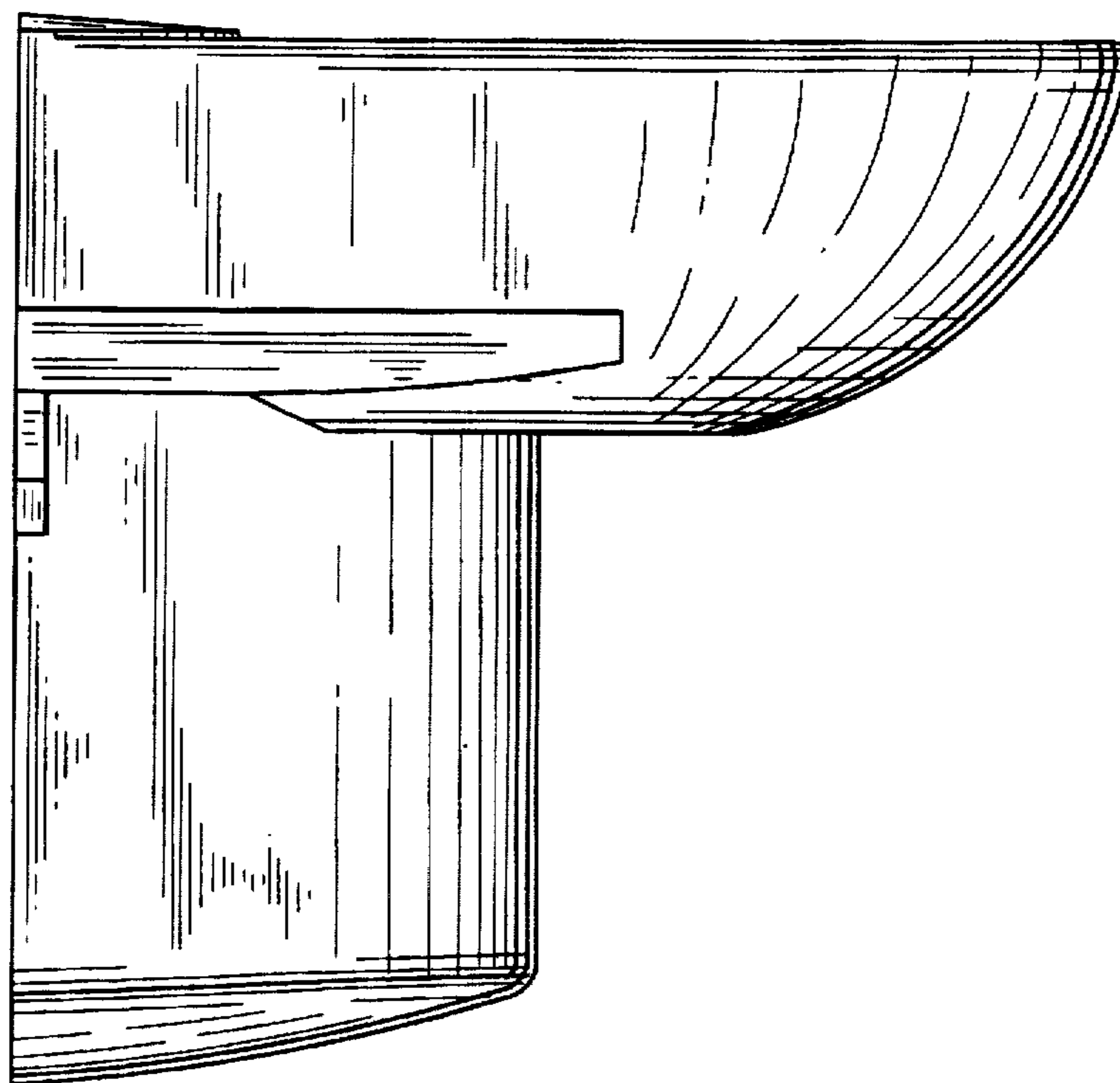


FIG. 19

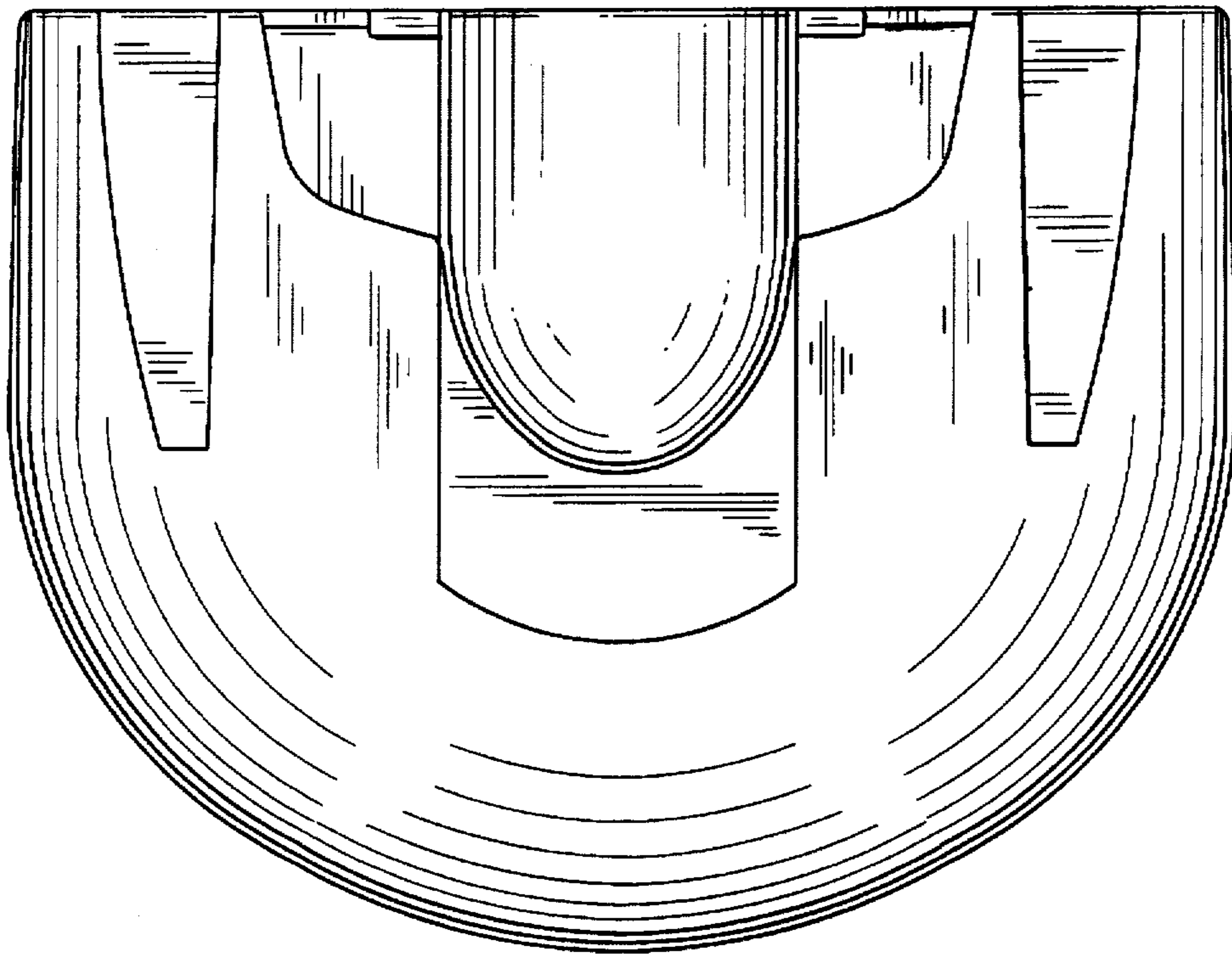


FIG. 20

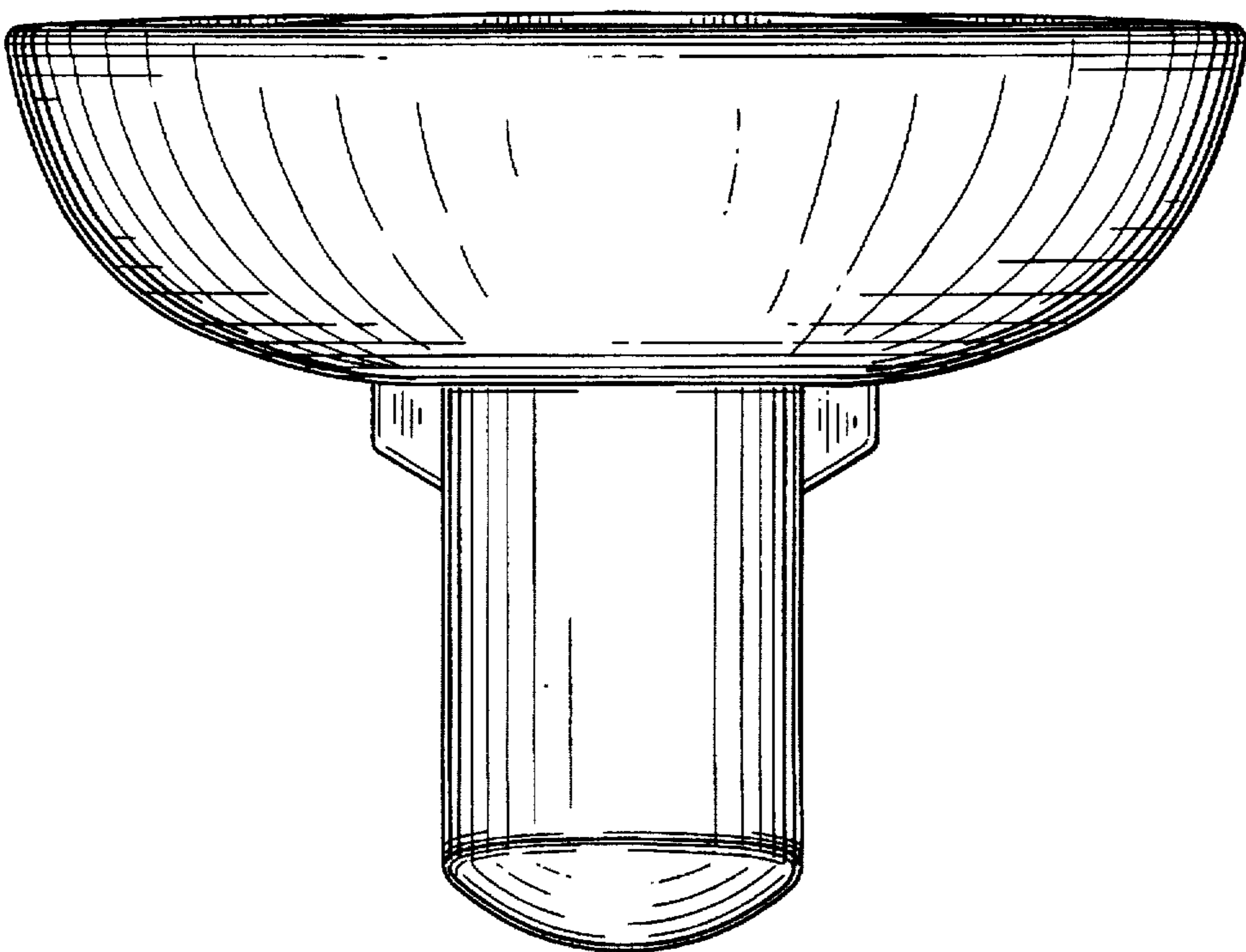


FIG. 21

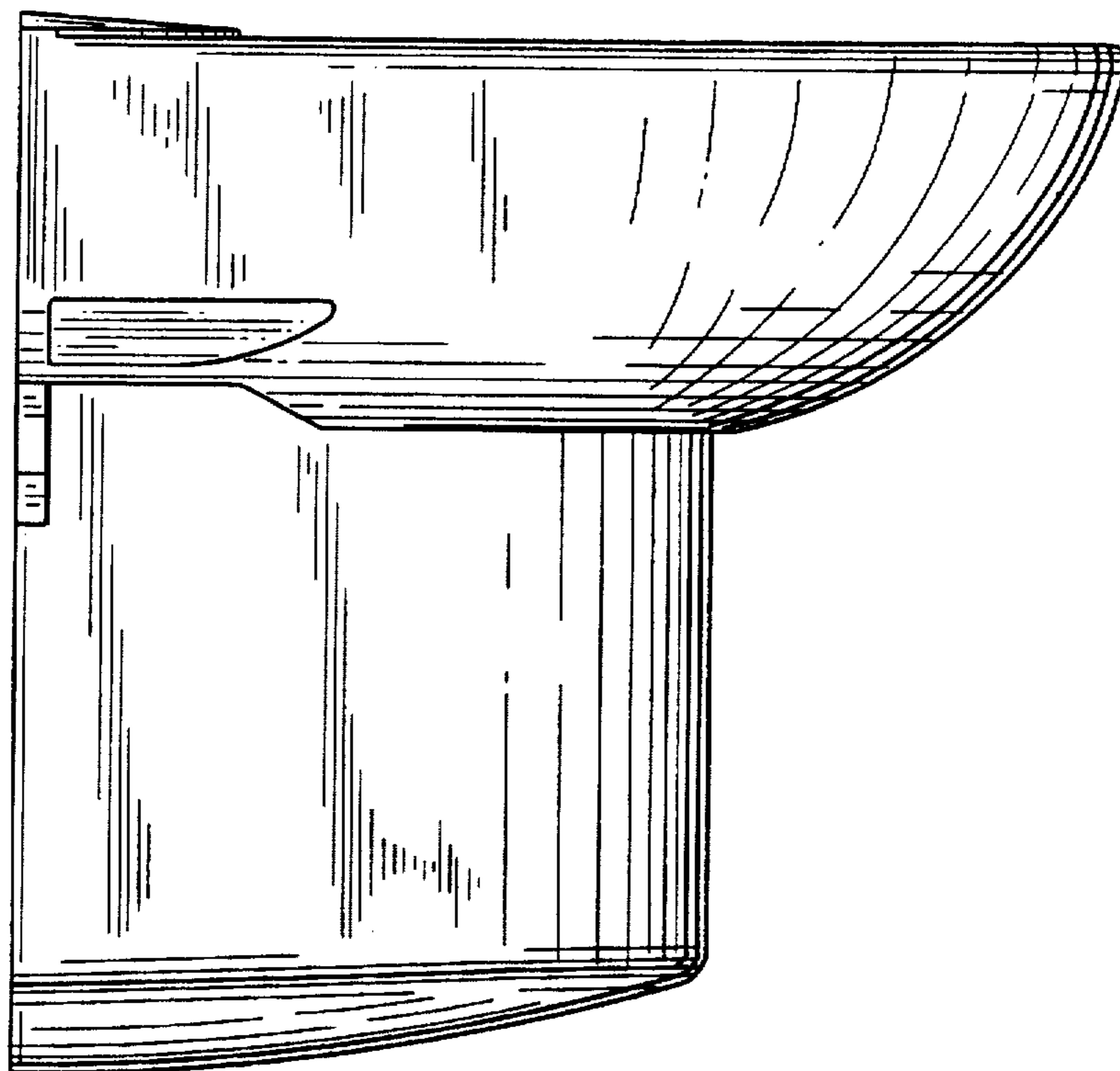


FIG. 22

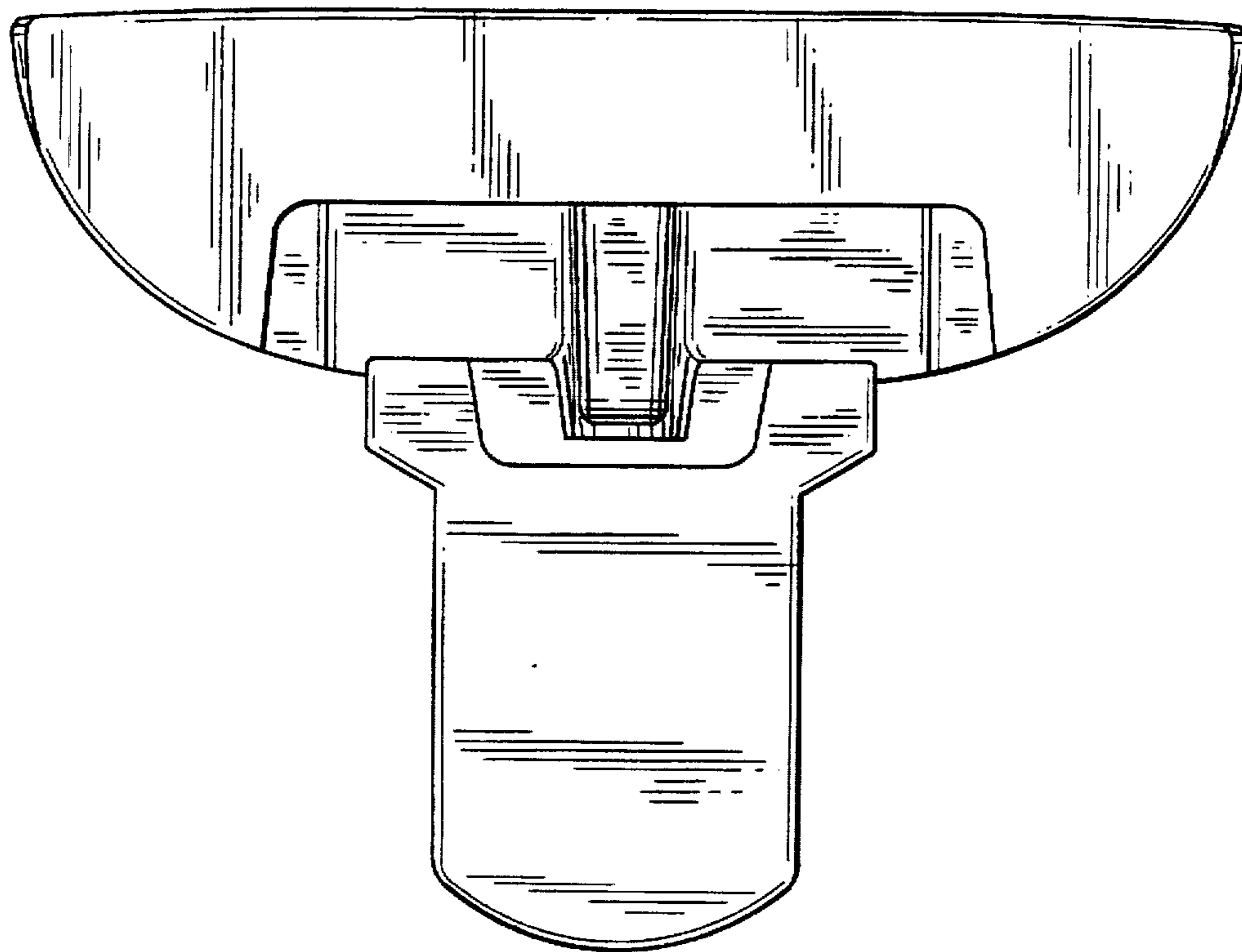
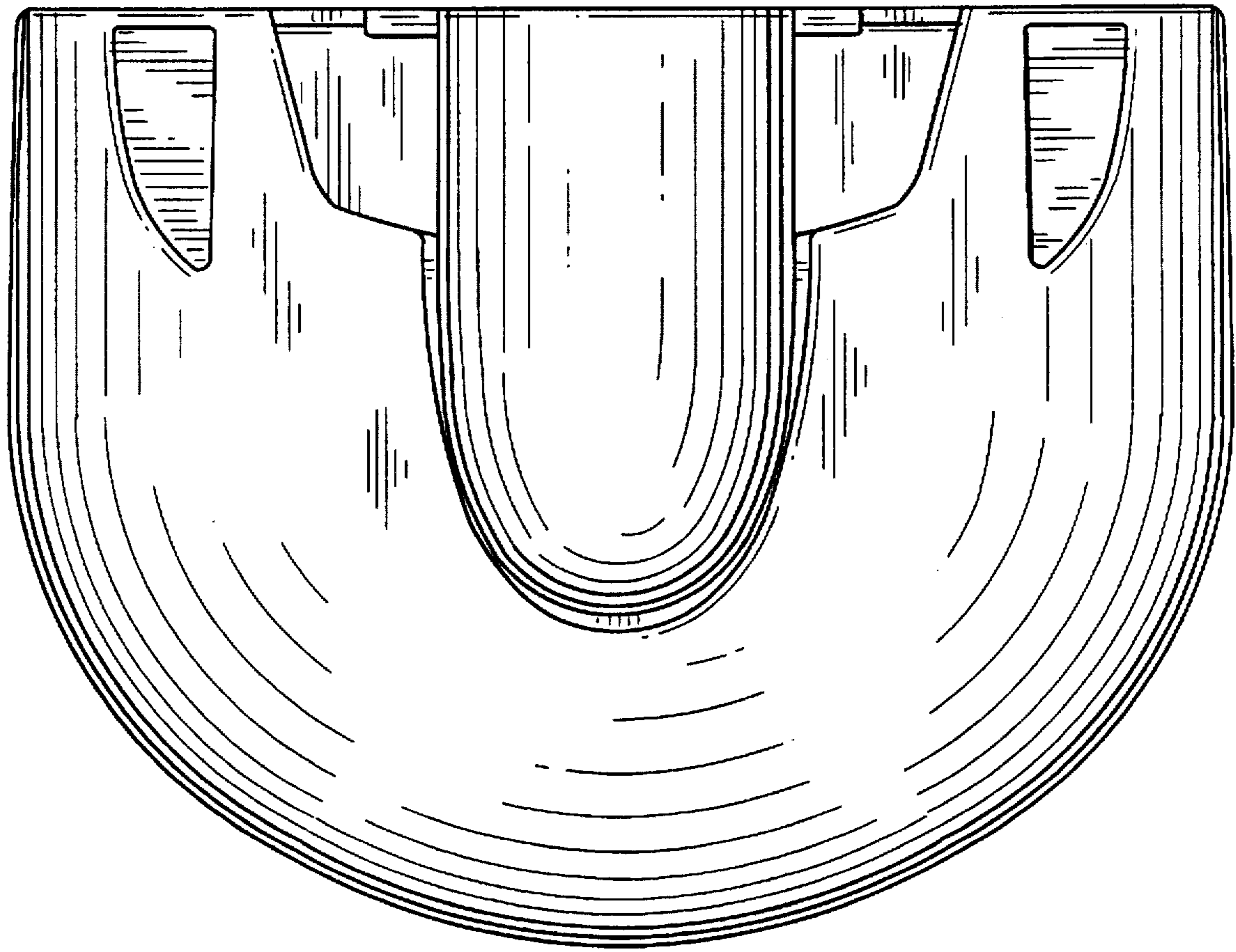


FIG. 23



UNITED STATES PATENT AND TRADEMARK OFFICE
CERTIFICATE OF CORRECTION

PATENT NO. : D389,563
DATED : January 20, 1998
INVENTOR(S) : Francois Kergoet

It is certified that error appears in the above-identified patent and that said Letters Patent is hereby corrected as shown below:

On the Title page, item [56],

Add the following document:

D. 351,460 10/1994 Kohler, Jr. et al. . . . D23/284

DESCRIPTION

Delete the characteristic feature clause and insert the following sentence:

--The characteristic feature of my design resides in lines extending from the rear corners of the basin to the rear corners of the rim so as to create a boomerang-shaped rear ledge.--

Signed and Sealed this
Twelfth Day of May, 1998



BRUCE LEHMAN

Commissioner of Patents and Trademarks

Attest:

Attesting Officer