

US00D389562S

United States Patent [19] Picton

[11] Patent Number: **Des. 389,562**
[45] Date of Patent: ****Jan. 20, 1998**

[54] **T-FITTING**

1254977 1/1961 France 285/156
234708 4/1986 Germany 285/156

[76] Inventor: **David John Picton**, P.O. Box 58231,
Greenmount, Auckland, New Zealand

[**] Term: **14 Years**

[21] Appl. No.: **54,684**

[22] Filed: **May 20, 1996**

[30] **Foreign Application Priority Data**

Dec. 7, 1995 [NZ] New Zealand 27250

[51] LOC (6) Cl. **23-01**

[52] U.S. Cl. **D23/263**

[58] Field of Search D23/259, 262,
D23/263; 285/156, 256

[56] **References Cited**

U.S. PATENT DOCUMENTS

D. 296,816 7/1988 Budzinski et al. D23/263
D. 354,801 1/1995 Grant et al. D23/263
1,840,414 1/1932 Schulte 285/156 X
1,982,498 11/1934 Cornell, Jr. 285/156
2,551,393 5/1951 Pinger 285/156
3,486,771 12/1969 Conlin 285/150 X

FOREIGN PATENT DOCUMENTS

1220110 5/1960 France 285/150

OTHER PUBLICATIONS

Anderson Metals Corporation, Inc. Cat. No. 6187 c1987, p. 8:#64 tee.

Buteline Industries Ltd. "Buteline The Proven Reliable Plumbing System", 1991.

Buteline Industries, Ltd. "Buteline Automatic Fire And Security System", 1991.

Primary Examiner—Ted Shooman

Assistant Examiner—C. Tuttle

Attorney, Agent, or Firm—Evenson, McKeown, Edwards & Lenahan, P.L.L.C.

[57] **CLAIM**

The ornamental design for the t-fitting, as shown and described.

DESCRIPTION

FIG. 1 is a perspective view of the t-fitting of my novel design;

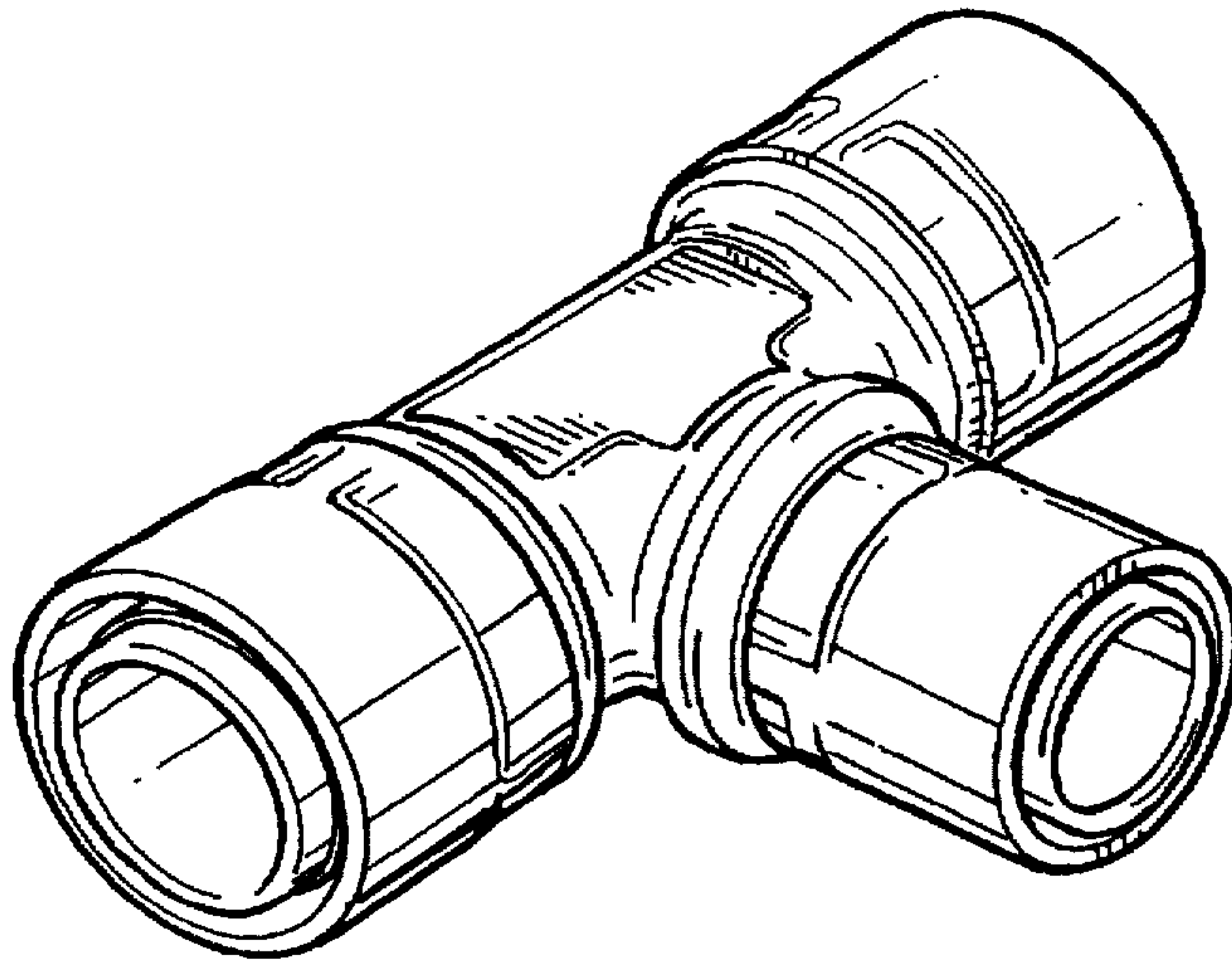
FIG. 2 is a top plan view thereof;

FIG. 3 is a bottom plan view thereof;

FIG. 4 is a side elevational view thereof; and,

FIG. 5 is an end elevational view thereof, the other end being identical.

1 Claim, 3 Drawing Sheets



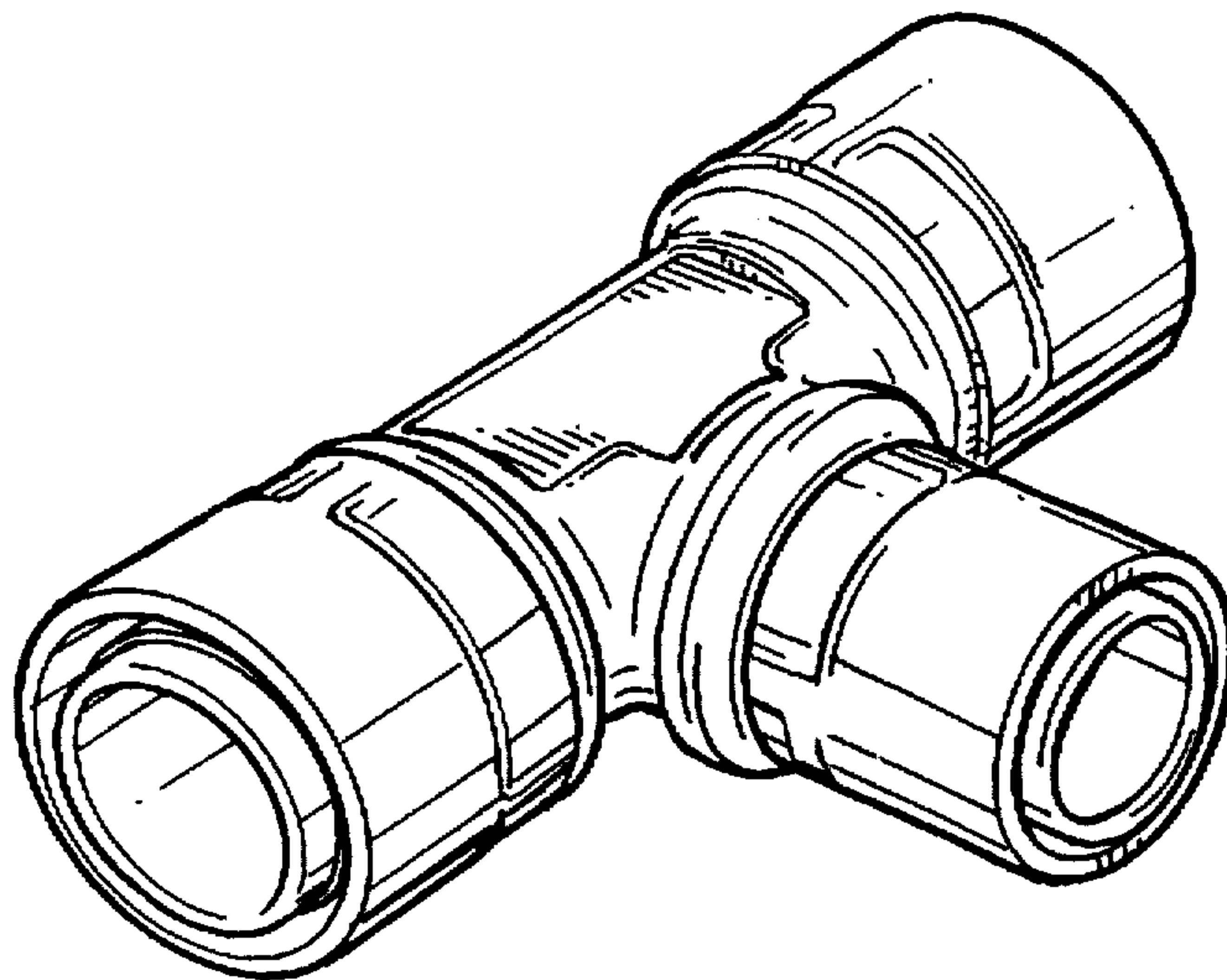


FIG. 1

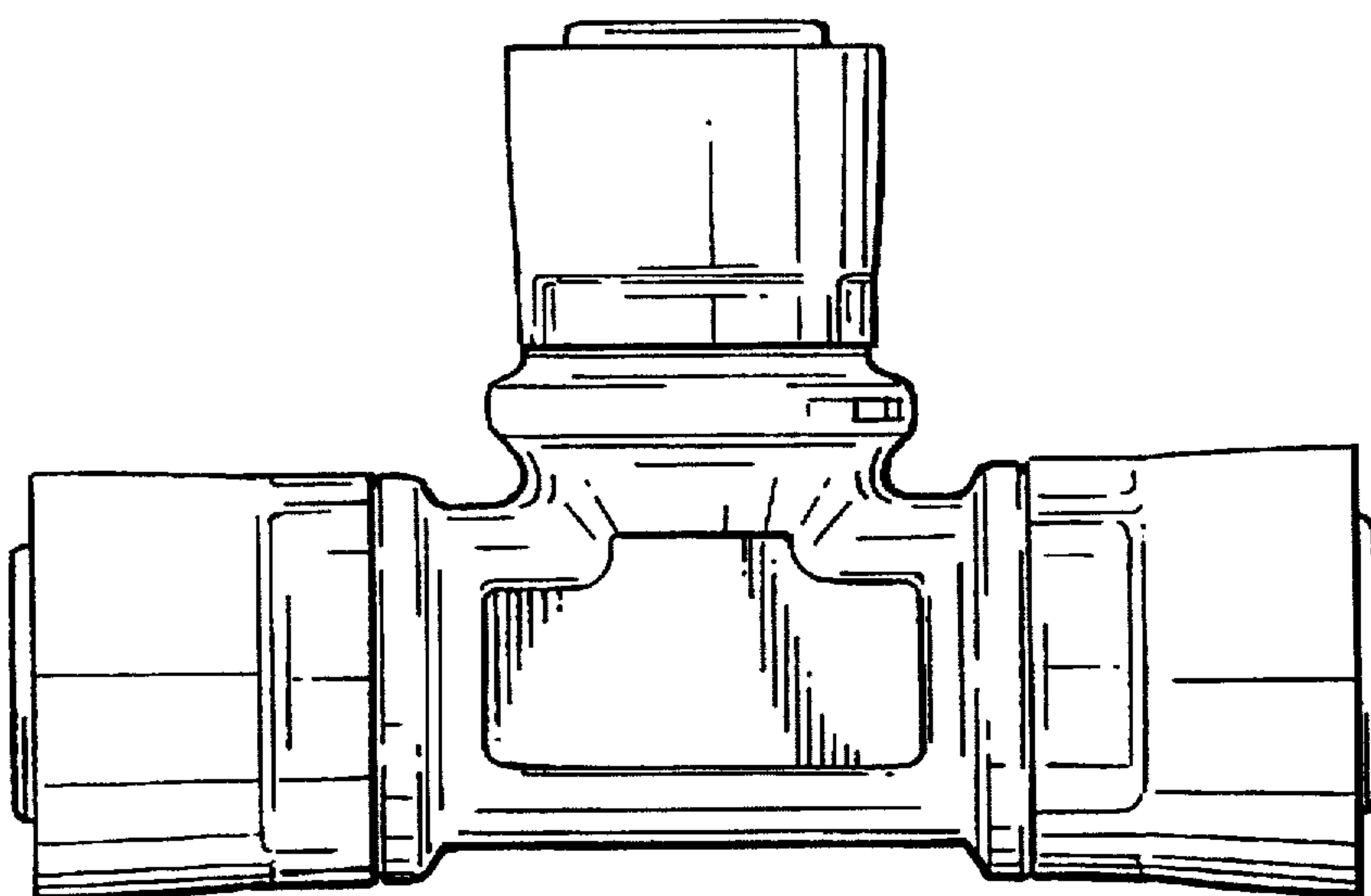


FIG. 2

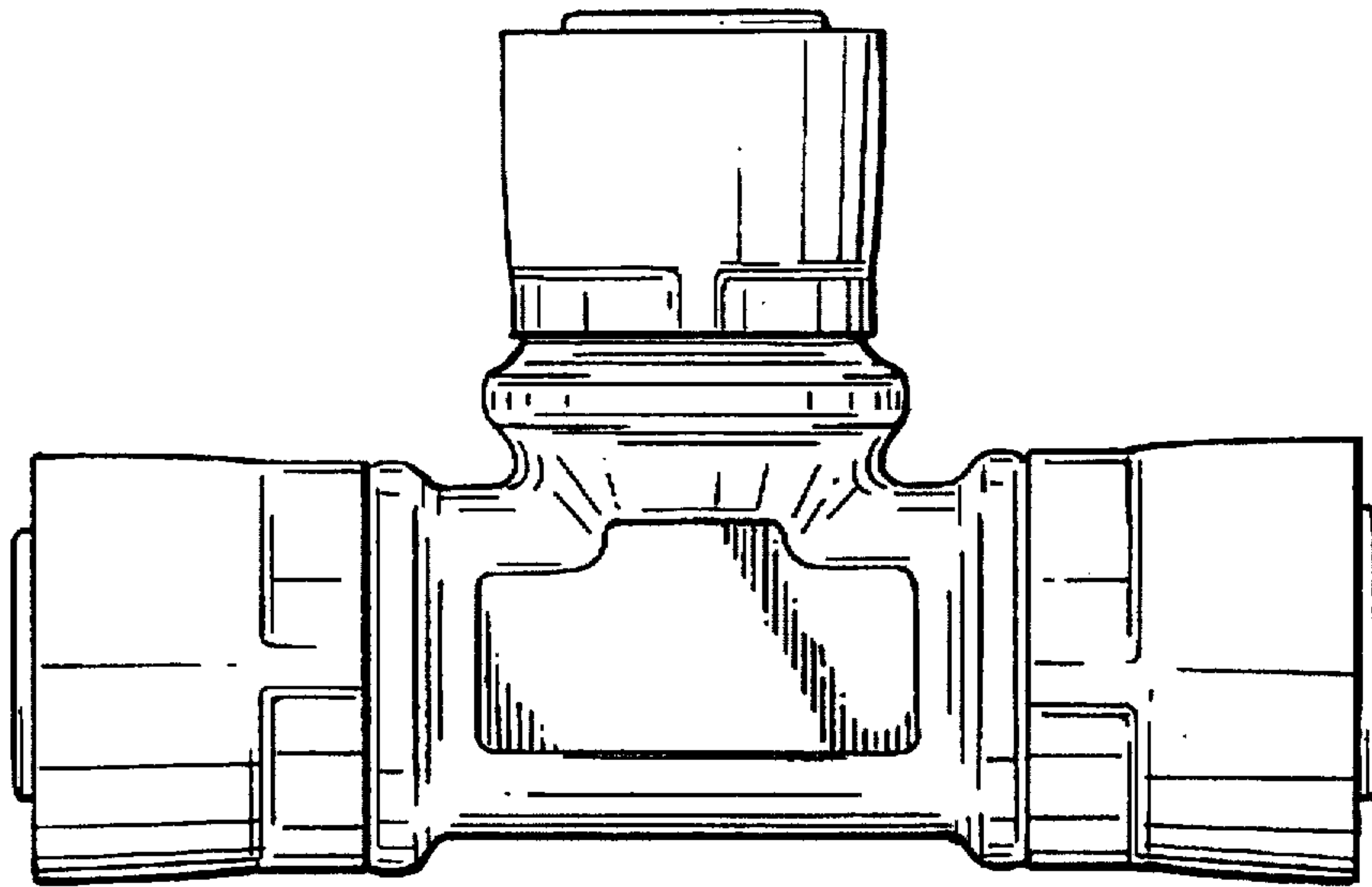


FIG. 3

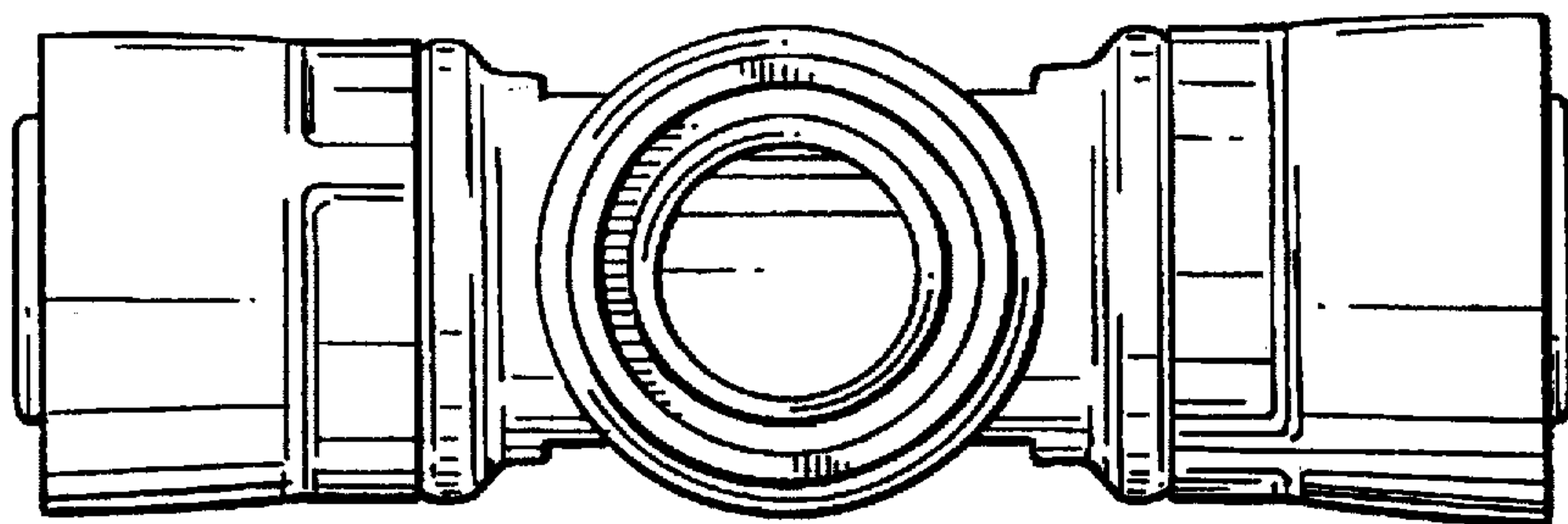


FIG. 4

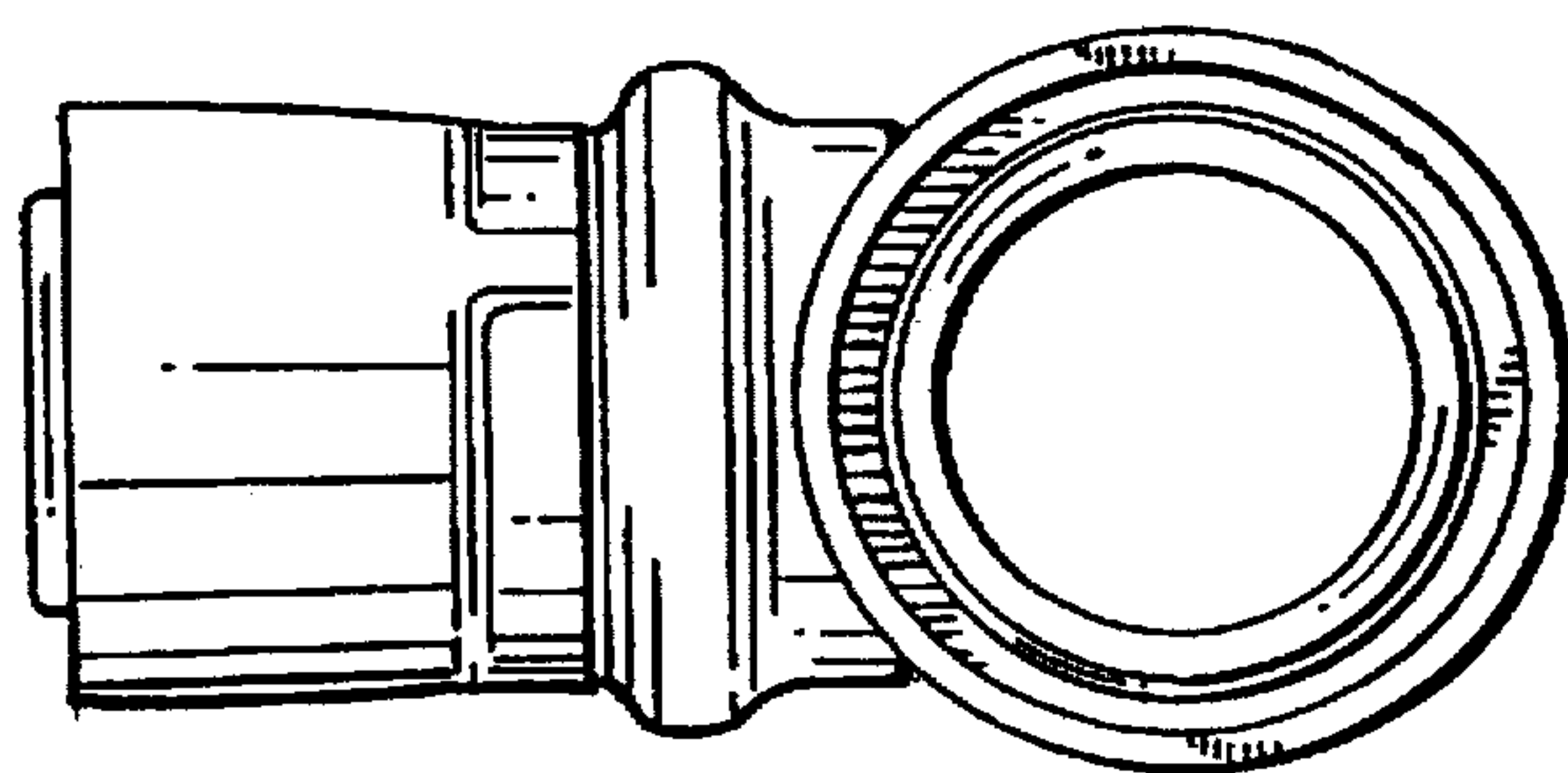


FIG. 5