



US00D389561S

United States Patent [19]
Horge

[11] **Patent Number: Des. 389,561**
[45] **Date of Patent: **Jan. 20, 1998**

[54] **FAUCET**

[76] **Inventor: Peter Horge, 177 Fifth Ave., LaSalle, Québec, Canada, H8P 2K3**

[**] **Term: 14 Years**

[21] **Appl. No.: 65,072**

[22] **Filed: Jan. 21, 1997**

[51] **LOC (6) Cl. 23-01**

[52] **U.S. Cl. D23/255**

[58] **Field of Search D23/238-243, D23/250-257; 4/675-678; 139/801**

[56] **References Cited**

U.S. PATENT DOCUMENTS

D. 218,034 7/1970 Mongerson D23/257

D. 266,452 10/1982 Fleischmann et al. D23/257
D. 295,066 4/1988 Rabin D23/255
D. 296,235 6/1988 Schmitz D23/257

Primary Examiner—Louis S. Zarfes
Assistant Examiner—Eric Watterson

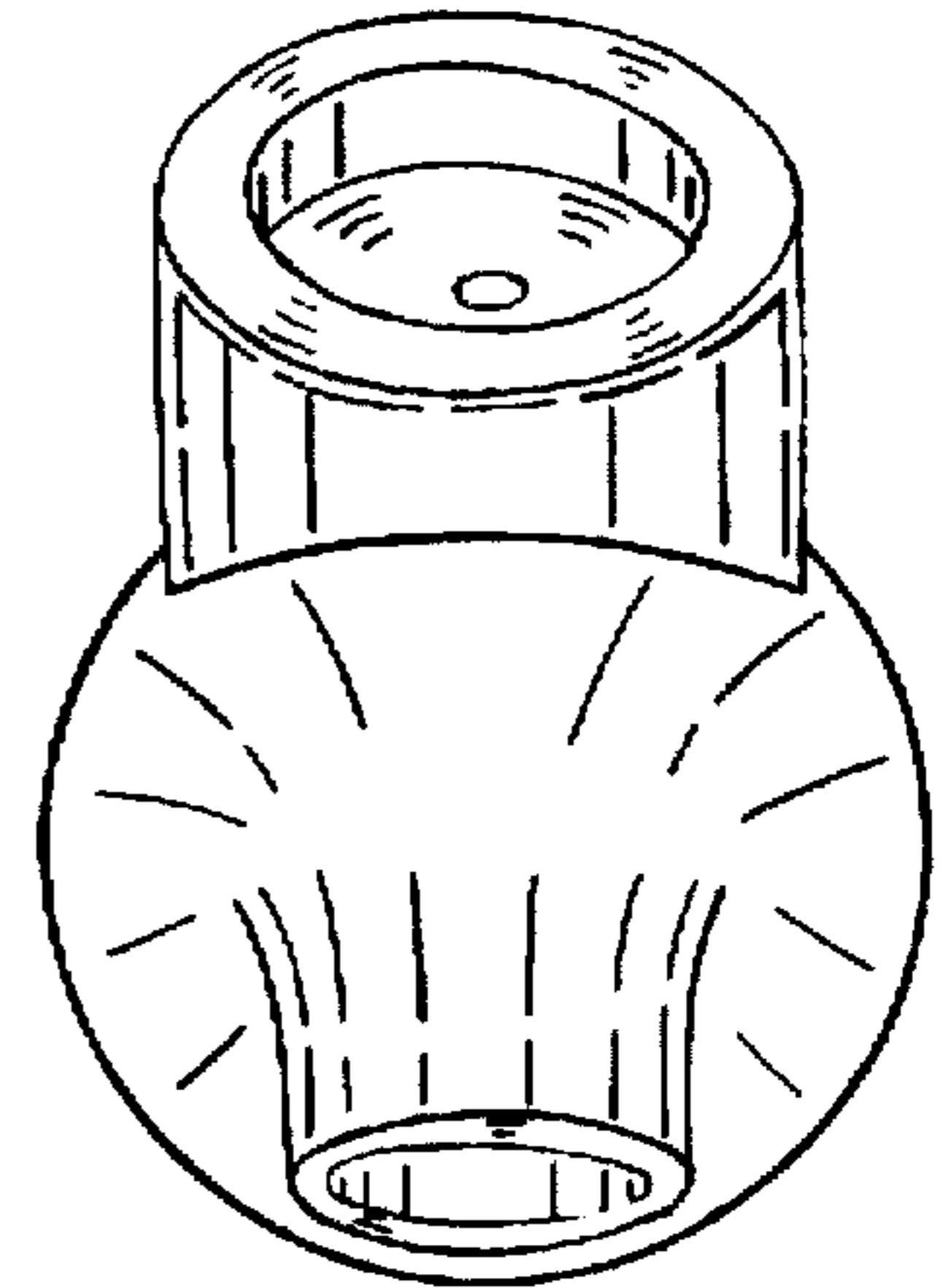
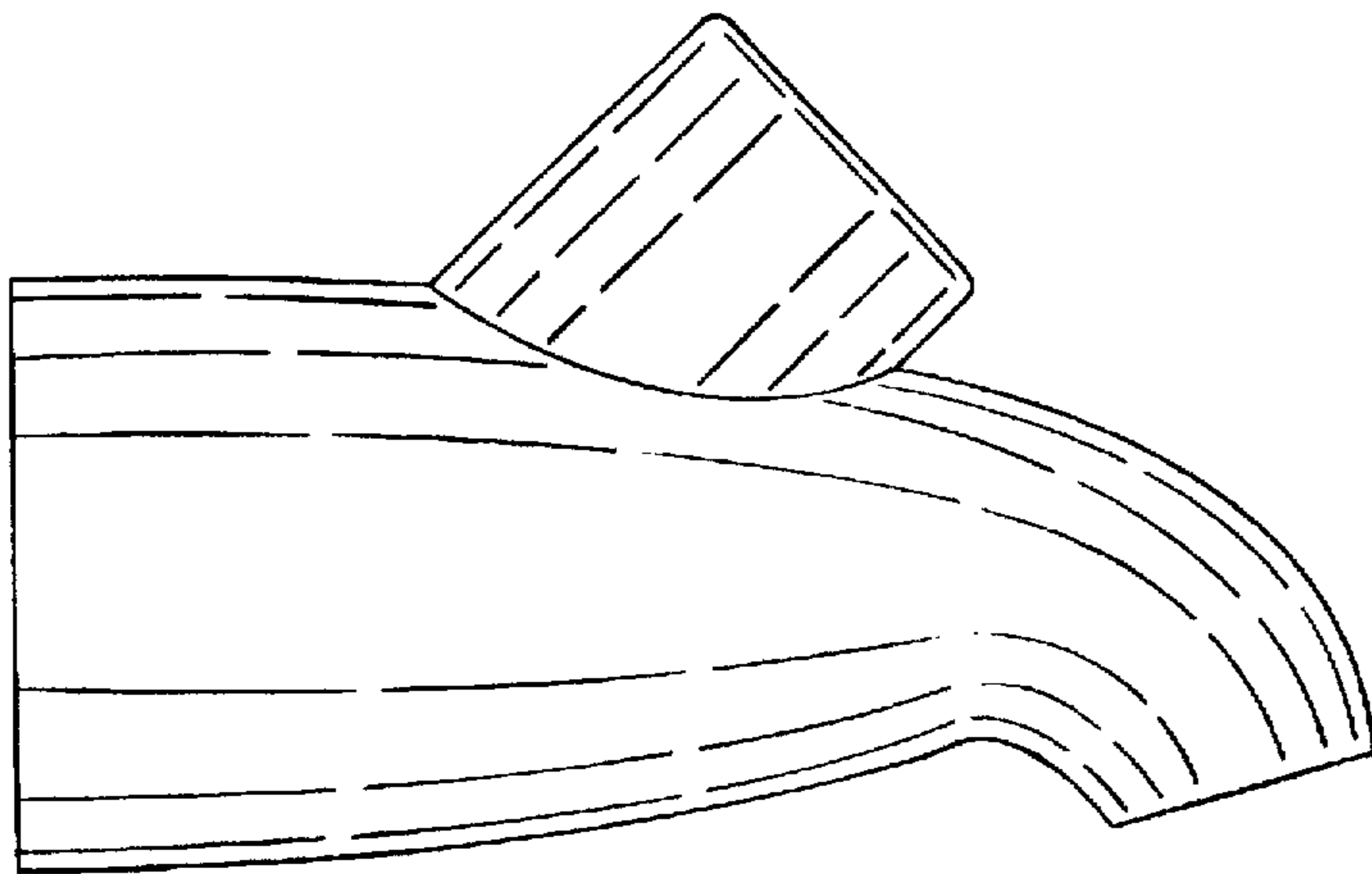
[57] **CLAIM**

The ornamental design for a faucet, as shown and described.

DESCRIPTION

FIG. 1 is left side view of a faucet showing my new design, the right side view being identical;
FIG. 2 is a top view thereof;
FIG. 3 is a bottom view thereof;
FIG. 4 is a front view thereof; and,
FIG. 5 is a rear view thereof.

1 Claim, 2 Drawing Sheets



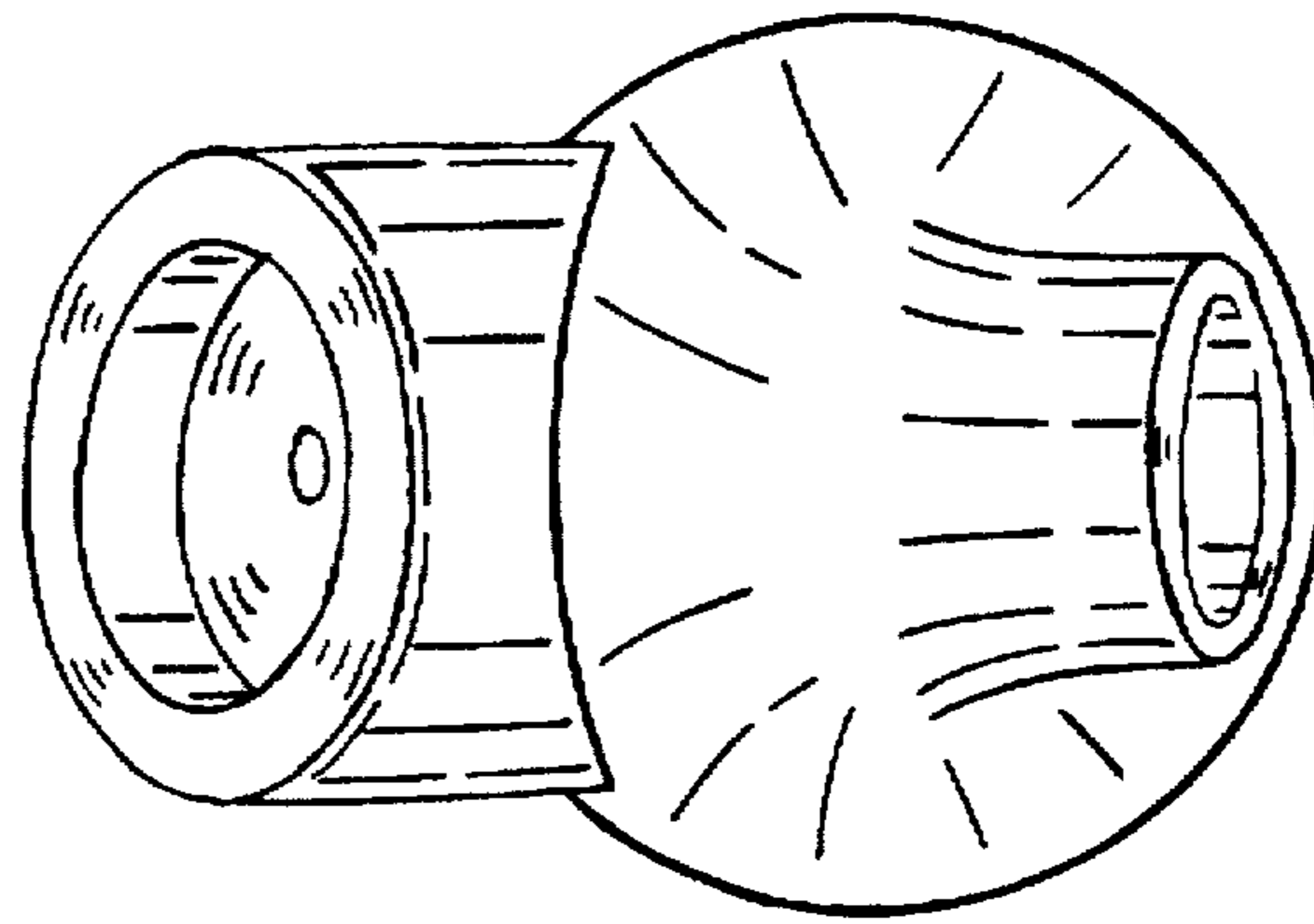


FIG. 4

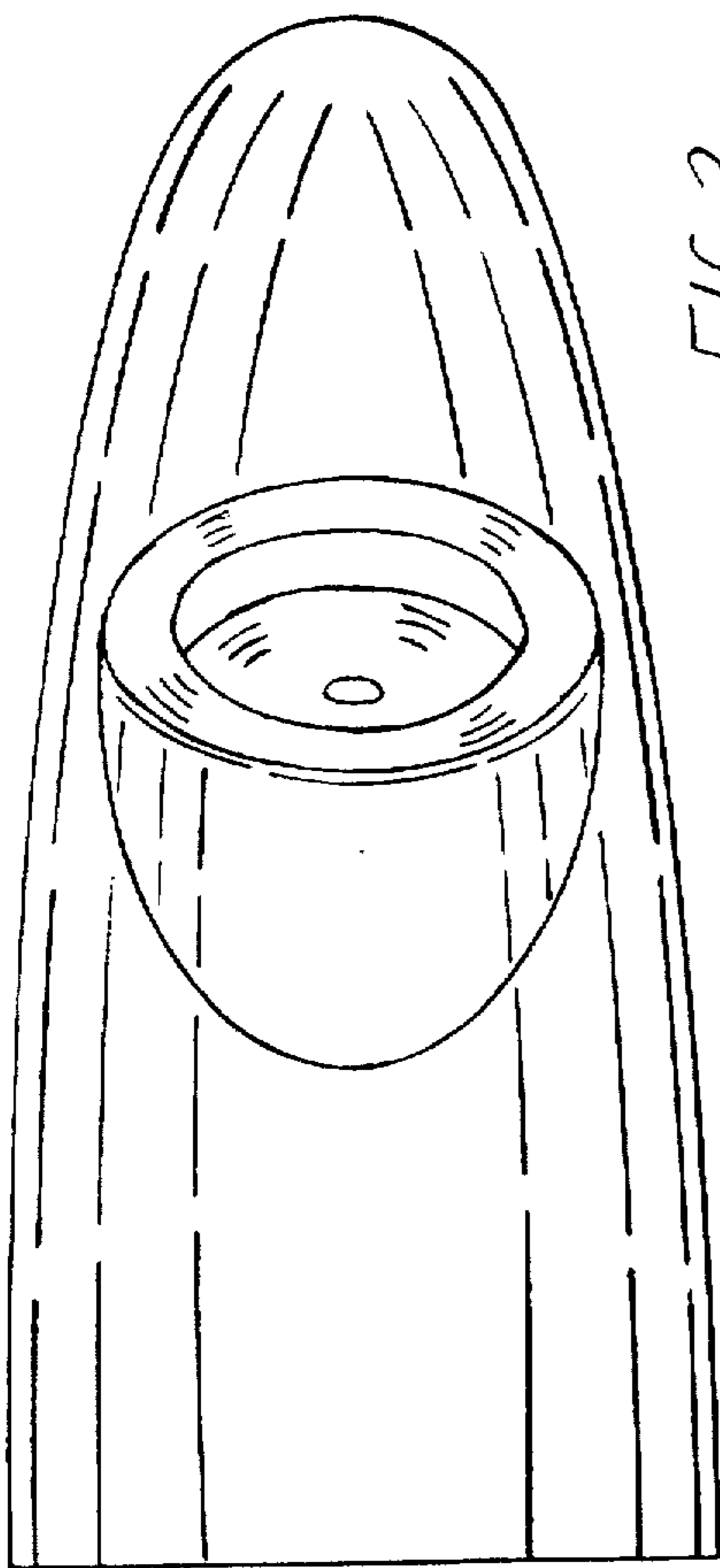


FIG. 2

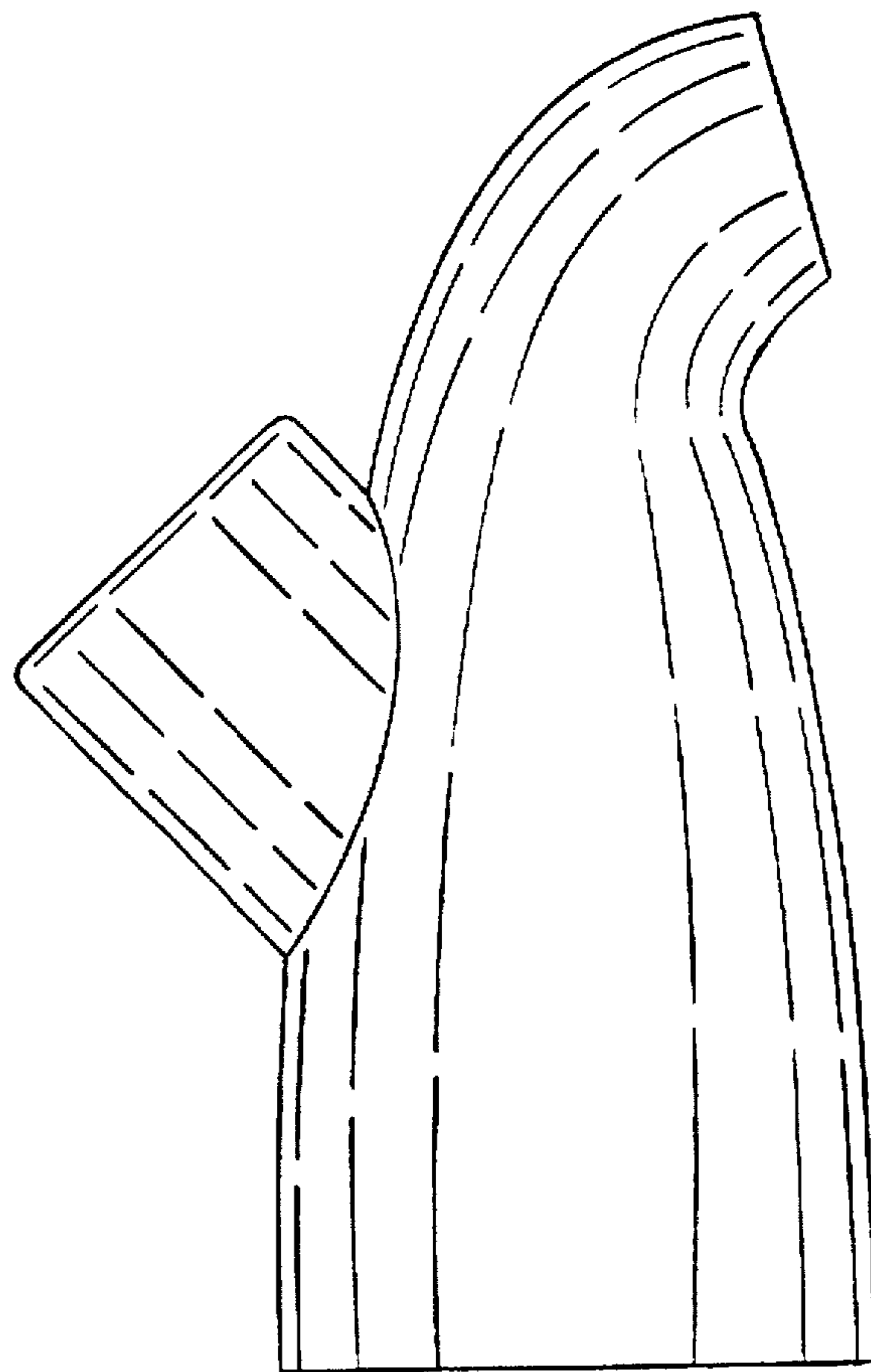


FIG. 1

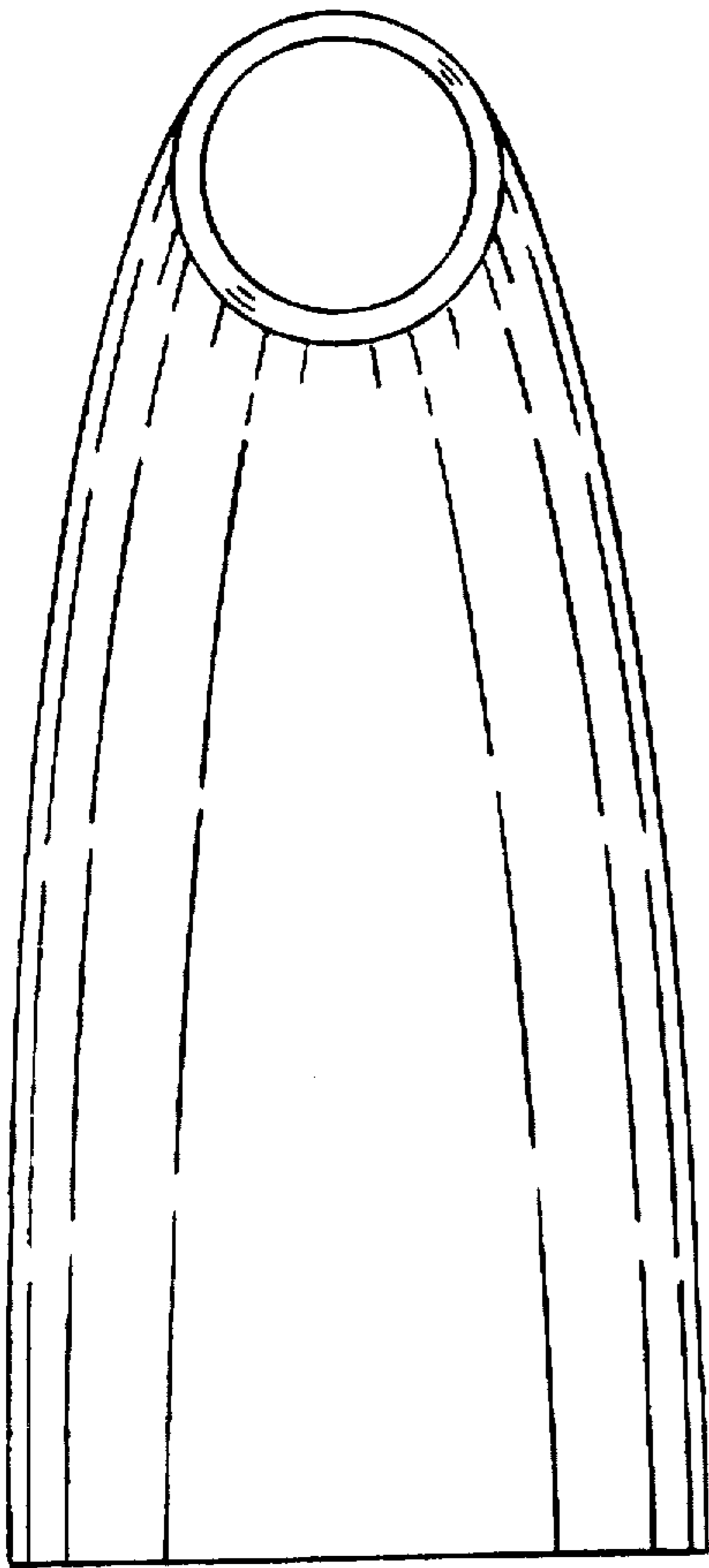


FIG. 3

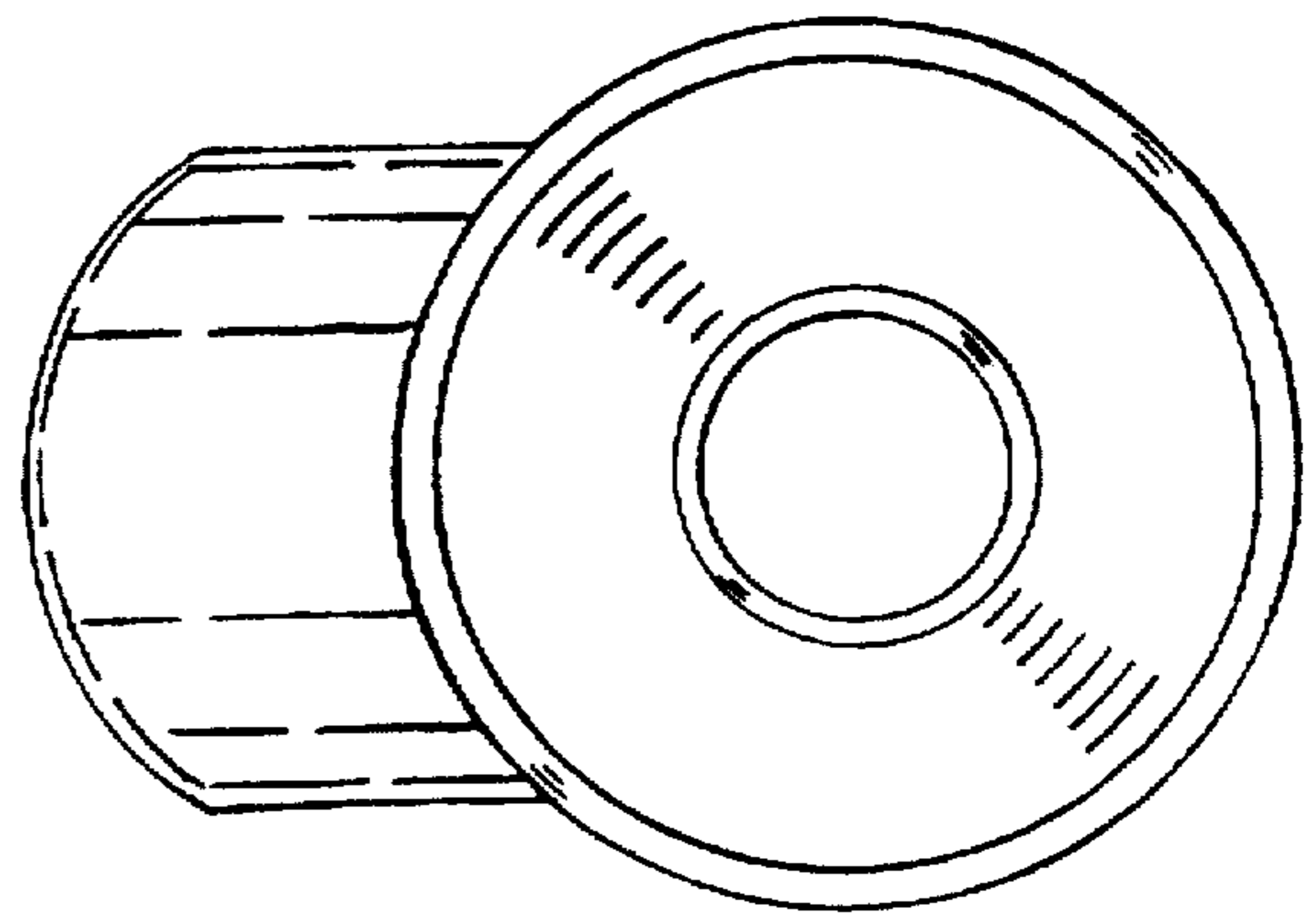


FIG. 5