

US00D389560S

United States Patent [19]

Hayashi et al.

[11] Patent Number: **Des. 389,560**

[45] Date of Patent: ****Jan. 20, 1998**

[54] **ELECTROMAGNETIC VALVE**

[75] Inventors: **Bunya Hayashi; Shinji Miyazoe; Makoto Ishikawa**, all of Ibaraki, Japan

[73] Assignee: **SMC Corporation**, Tokyo, Japan

[**] Term: **14 Years**

[21] Appl. No.: **50,181**

[22] Filed: **Feb. 9, 1996**

[30] **Foreign Application Priority Data**

Aug. 11, 1995 [JP] Japan 7-23578

[51] **LOC (6) Cl.** **23-01**

[52] **U.S. Cl.** **D23/233**

[58] **Field of Search** D23/233, 247, D23/248; 137/884, 269; 251/625.64, 625.69

[56] **References Cited**

U.S. PATENT DOCUMENTS

D. 223,095	3/1972	Allen	D23/233
D. 338,516	8/1993	Tamaki	D23/248
4,649,957	3/1987	Quinn	137/625.64
4,726,393	2/1988	Herner	137/269
5,333,647	8/1994	Fukano et al.	137/884
5,447,176	9/1995	Asou et al.	137/884 X

5,459,953	10/1995	Fukano et al.	137/625.64
5,462,087	10/1995	Fukano et al.	137/625.64 X

FOREIGN PATENT DOCUMENTS

203780	8/1989	Japan	137/884
6300158	10/1994	Japan	137/884

Primary Examiner—Ted Shooman
Assistant Examiner—C. Tuttle
Attorney, Agent, or Firm—Oblon, Spivak, McClelland, Maier & Neustadt, P.C.

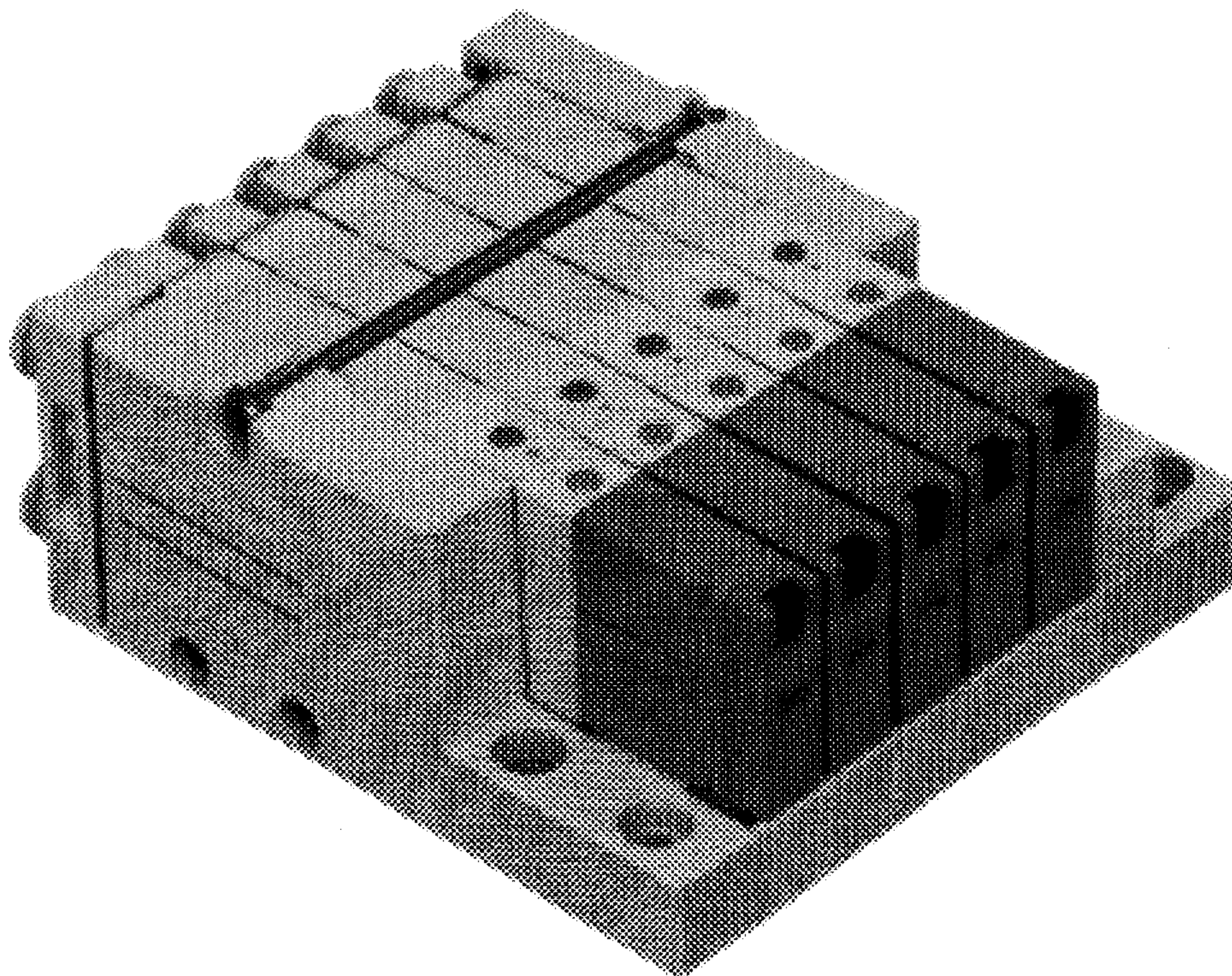
[57] CLAIM

The ornamental design for an electromagnetic valve, as shown and described.

DESCRIPTION

FIG. 1 is a top, front, left side perspective view of an electromagnetic valve, embodying our new design; FIG. 2 is a top, rear and right side perspective view thereof; FIG. 3 is a front elevational view thereof; FIG. 4 is a rear elevational view thereof; FIG. 5 is a left side elevational view thereof; FIG. 6 is a right side elevational view thereof; and, FIG. 7 is a top plan view thereof.
The undisclosed bottom surface forms no part of the claimed design.

1 Claim, 4 Drawing Sheets



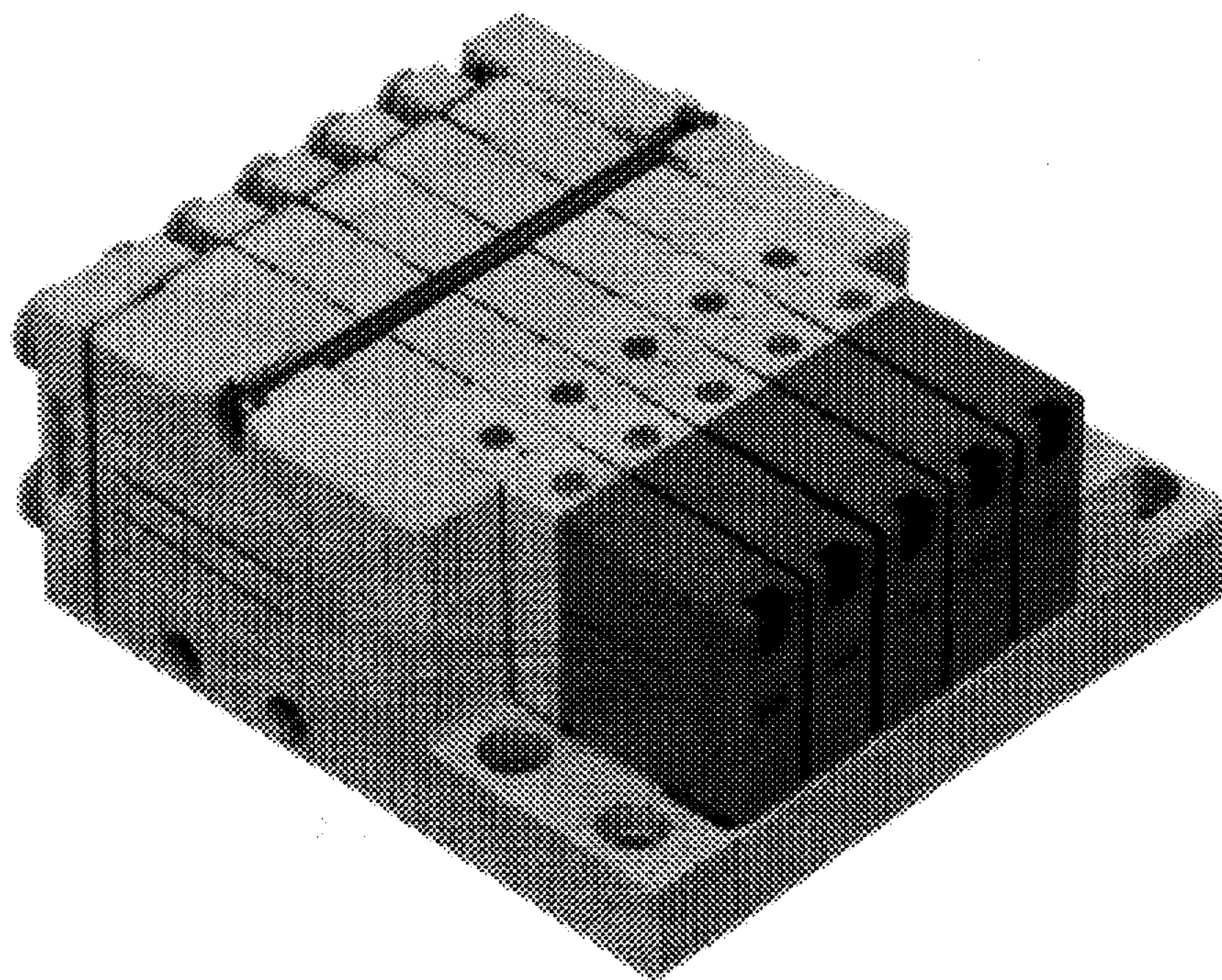


FIG. 1

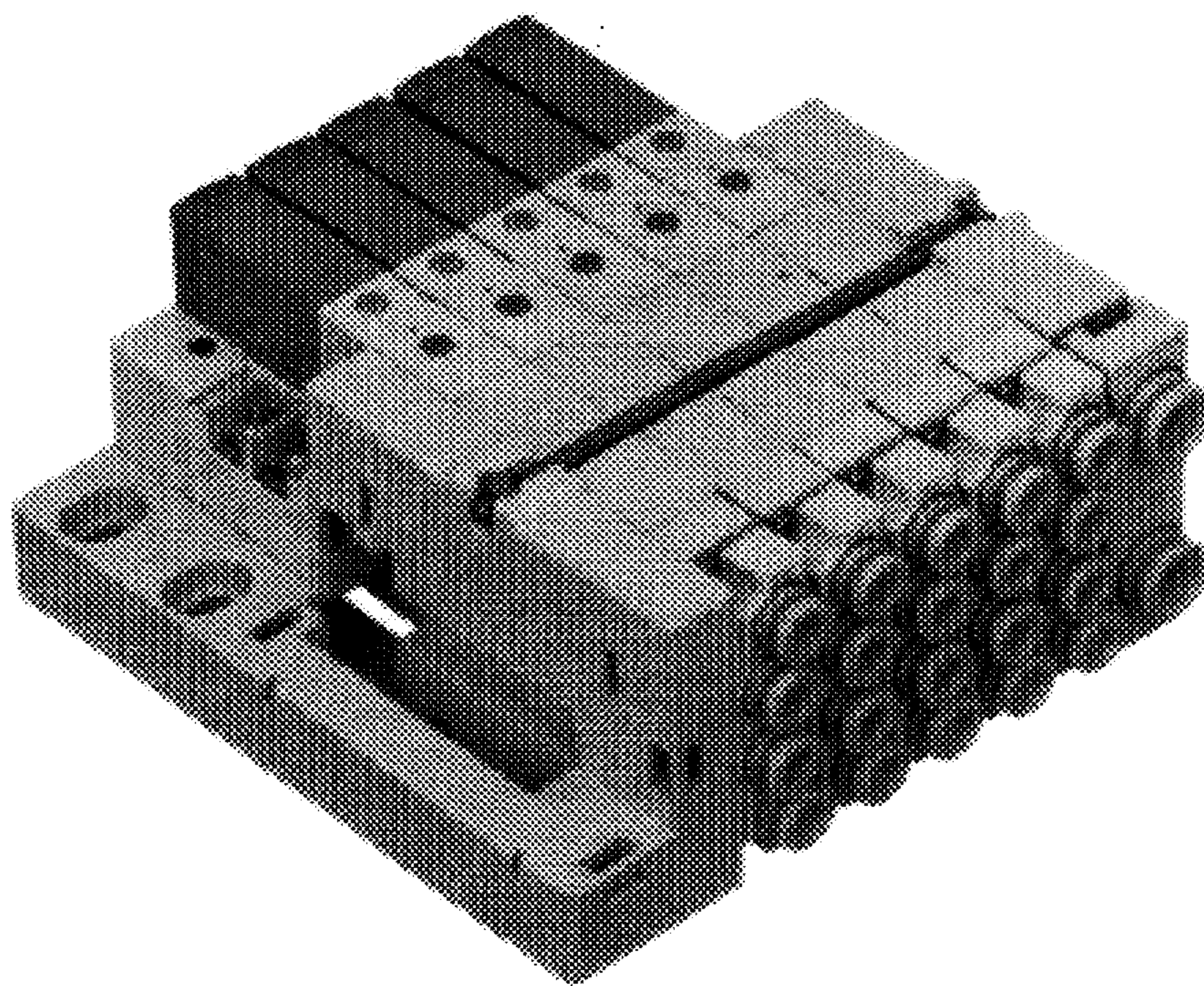


FIG. 2

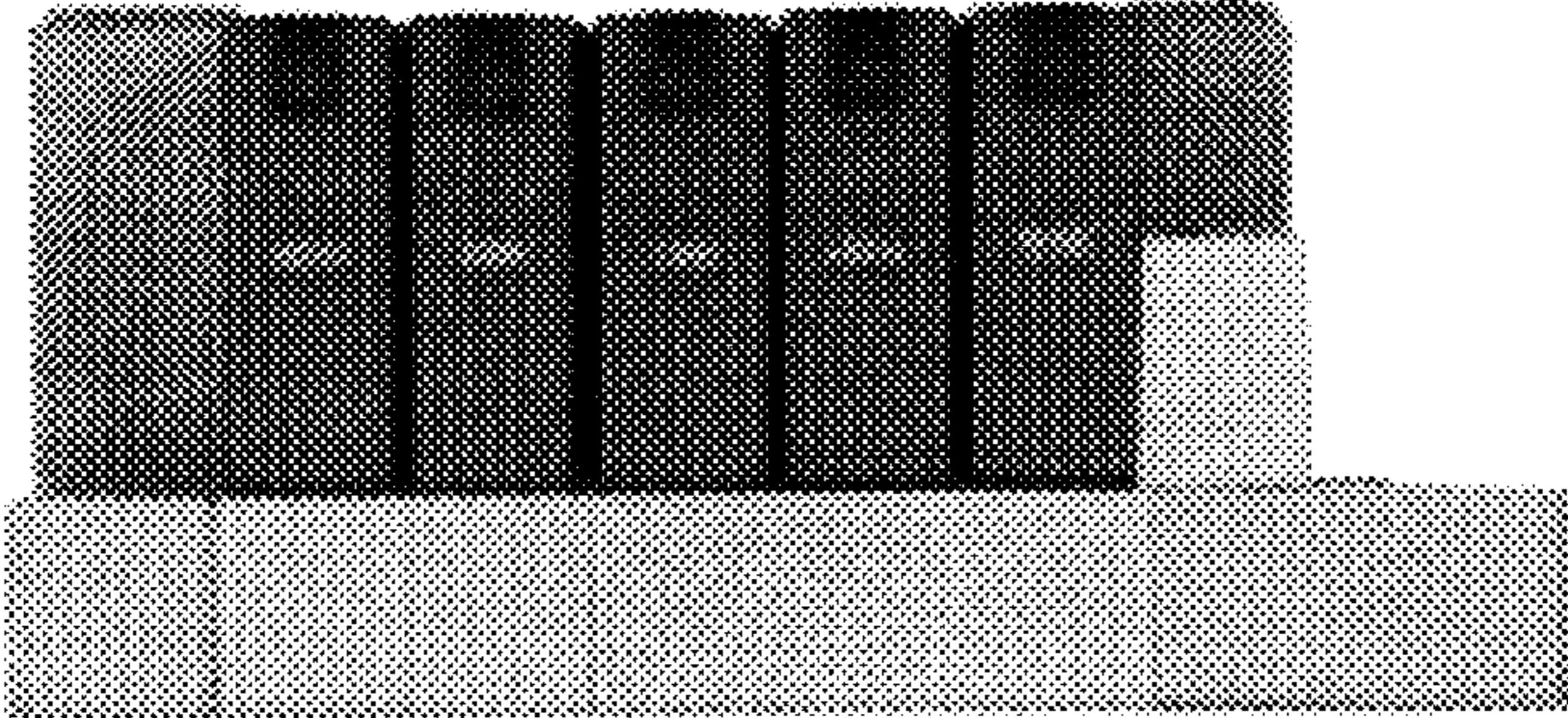


FIG. 3

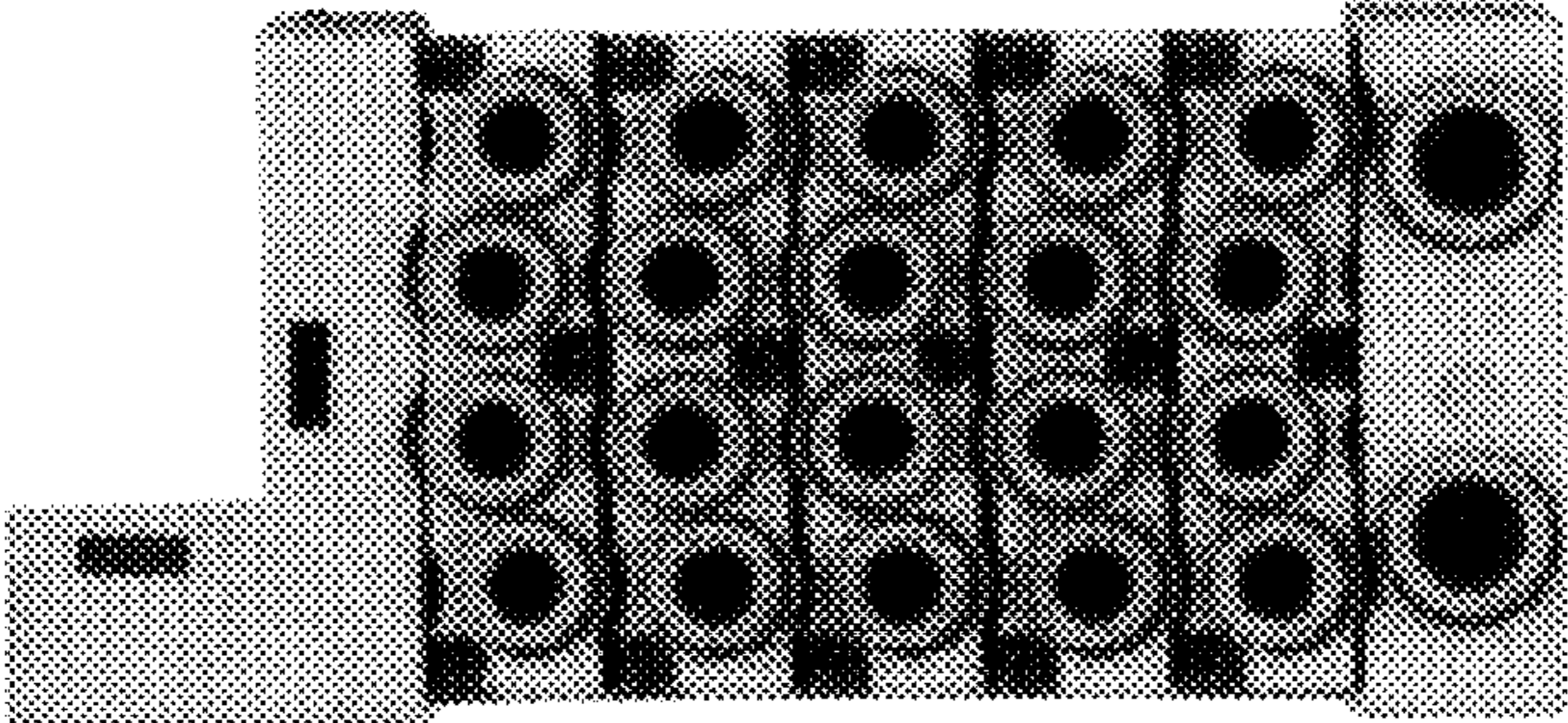


FIG. 4

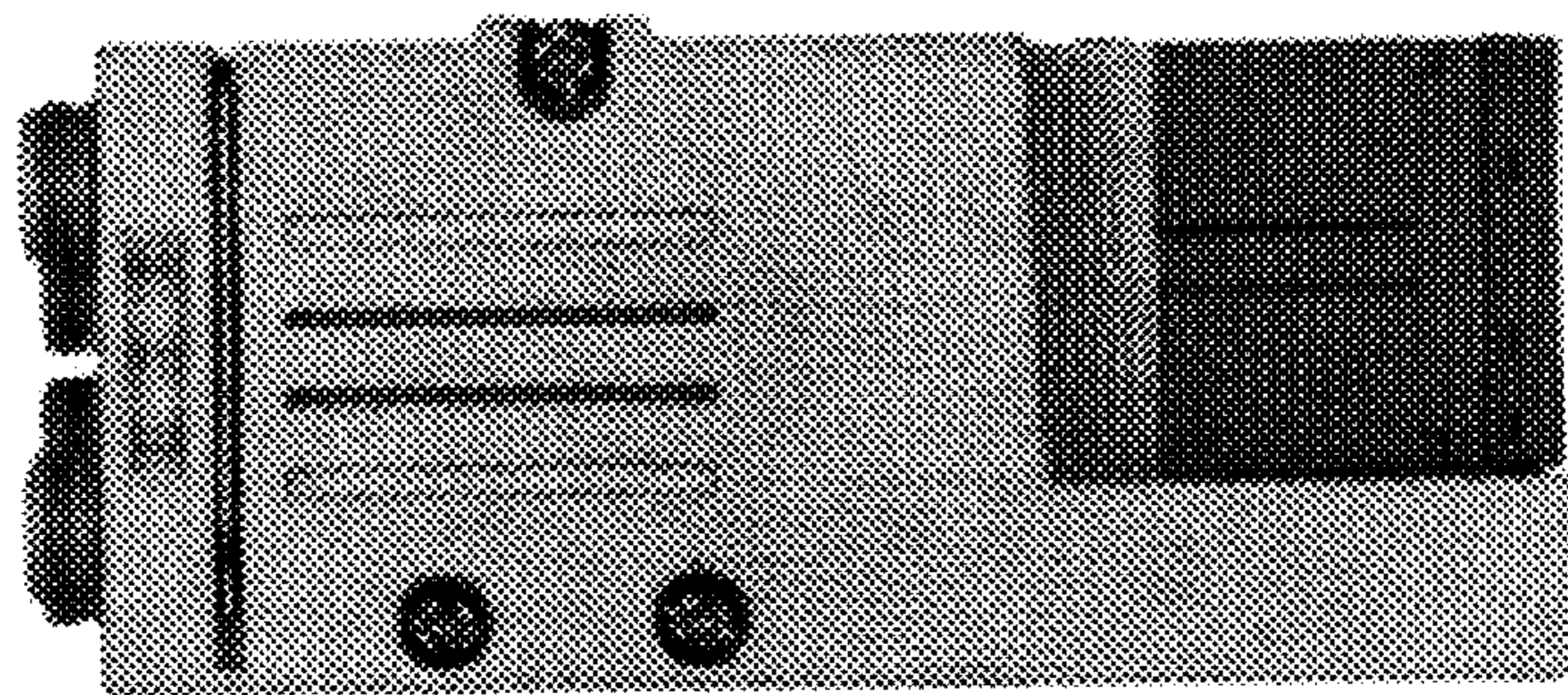


FIG. 5

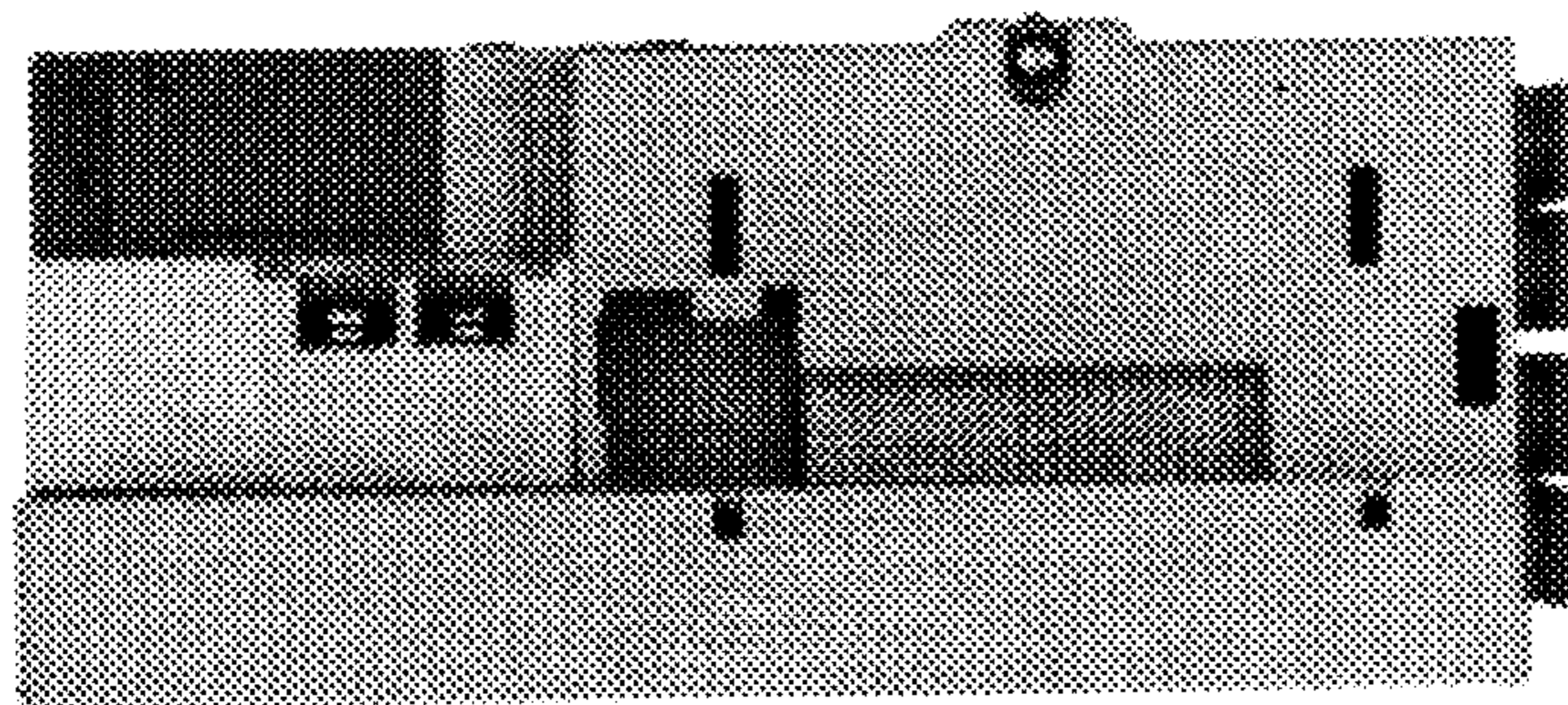


FIG. 6

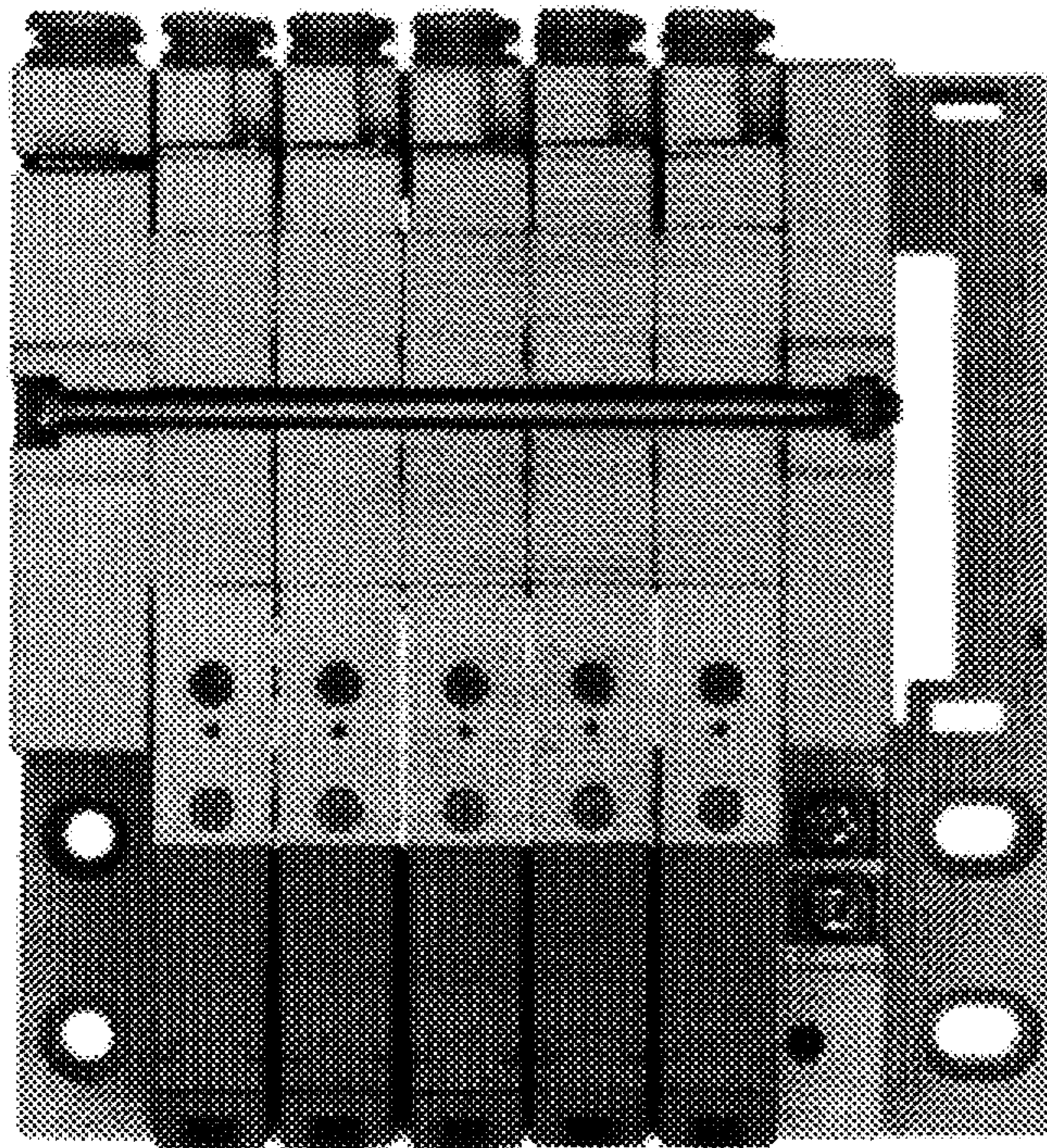


FIG . 7