



US00D389559S

United States Patent [19]

Alvern

[11] Patent Number: **Des. 389,559**

[45] Date of Patent: ****Jan. 20, 1998**

[54] **FUEL FILLER GUN COVER**

[75] Inventor: **Stein Alvern, Oslo, Norway**

[73] Assignee: **Alvern Norway A/S, Norway**

[**] Term: **14 Years**

[21] Appl. No.: **56,728**

[22] Filed: **Jul. 8, 1996**

[30] **Foreign Application Priority Data**

Jan. 25, 1996 [NO] Norway 960061

[51] LOC (6) Cl. **23-01**

[52] U.S. Cl. **D23/227**

[58] Field of Search **D15/9.1; D23/227;
137/379; 141/392**

[56] **References Cited**

U.S. PATENT DOCUMENTS

D. 173,006	9/1954	Anderson .	
D. 173,007	9/1954	Anderson .	
D. 177,648	5/1956	Sinclair	D23/227
D. 182,400	4/1958	Boone	D23/227
D. 279,483	7/1985	Goldman .	
D. 279,484	7/1985	Goldman .	
D. 358,452	5/1995	Karrick	D23/227
D. 366,310	1/1996	Fell .	
4,265,281	5/1981	Oberrecht	141/392
4,408,791	10/1983	Griffin et al. .	
4,465,209	8/1984	Wilder .	
4,690,182	9/1987	Knaus .	
5,058,637	10/1991	Fell .	
5,184,309	2/1993	Simpson et al. .	
5,184,655	2/1993	Fell .	
5,199,474	4/1993	D'Angelo	141/392

FOREIGN PATENT DOCUMENTS

122642 2/1995 Australia .

123343	5/1995	Australia .
0407271A1	1/1991	European Pat. Off. .
62-208396	9/1987	Japan .
850627	10/1992	Japan .
1393062	5/1975	United Kingdom .
2147273	5/1985	United Kingdom .
WO 90/08375	7/1990	WIPO .

Primary Examiner—Ralf Seifert
Attorney, Agent, or Firm—Finnegan, Henderson, Farabow, Garrett & Dunner, L.L.P.

[57] **CLAIM**

The ornamental design for a fuel filler gun cover, as shown and described.

DESCRIPTION

FIG. 1 is a side elevational view of a fuel filler gun display showing my new design;
 FIG. 2 is an interior perspective view shown in an unfolded position;
 FIG. 3 is a top perspective view of FIG. 1;
 FIG. 4 is a bottom perspective view of FIG. 1;
 FIG. 5 is an exterior perspective view shown in an unfolded position;
 FIG. 6 is a bottom perspective view of FIG. 1;
 FIG. 7 is a front elevational view of FIG. 1;
 FIG. 8 is a top plan view of FIG. 1;
 FIG. 9 is a rear elevational view of FIG. 1;
 FIG. 10 is a top perspective view of a fuel filler gun cover showing a second embodiment of my new design;
 FIG. 11 is a bottom perspective view of FIG. 10;
 FIG. 12 is a side elevational view of FIG. 10;
 FIG. 13 is a top plan view of FIG. 10;
 FIG. 14 is a rear elevational view of FIG. 10;
 FIG. 15 is a front elevational view of FIG. 10; and,
 FIG. 16 is a bottom plan view of FIG. 10.

1 Claim, 7 Drawing Sheets

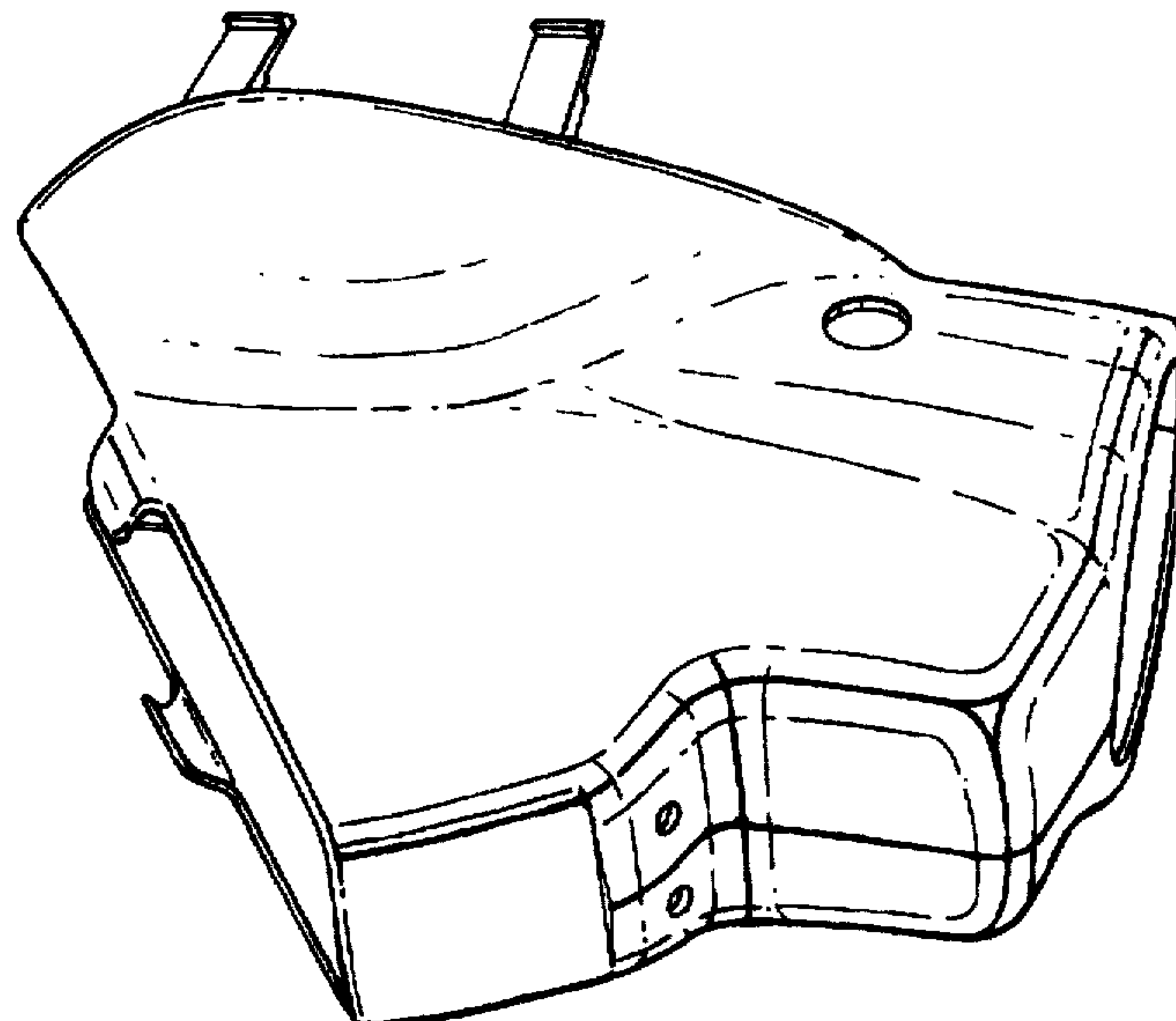


Fig.1 .

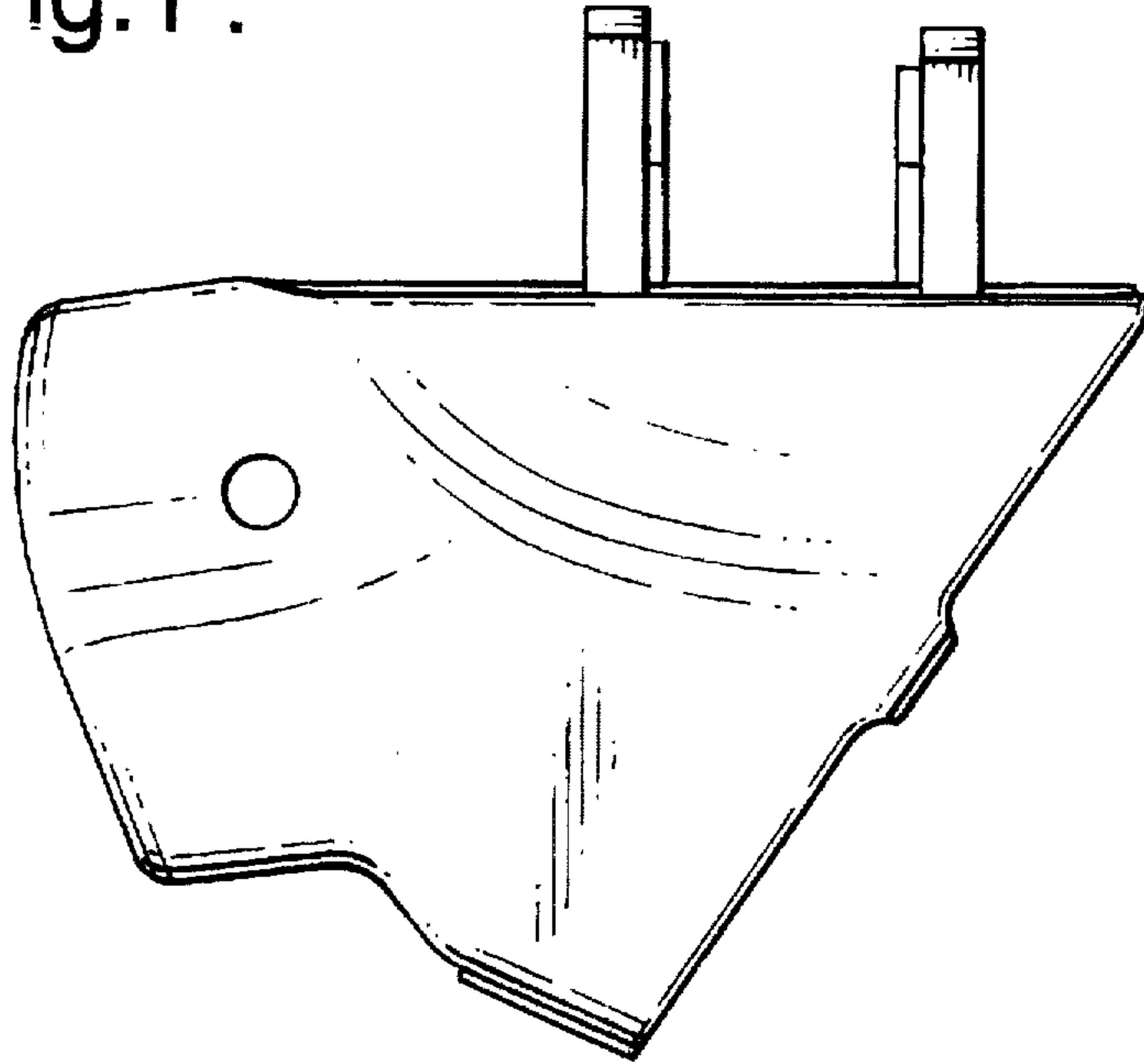


Fig.2.

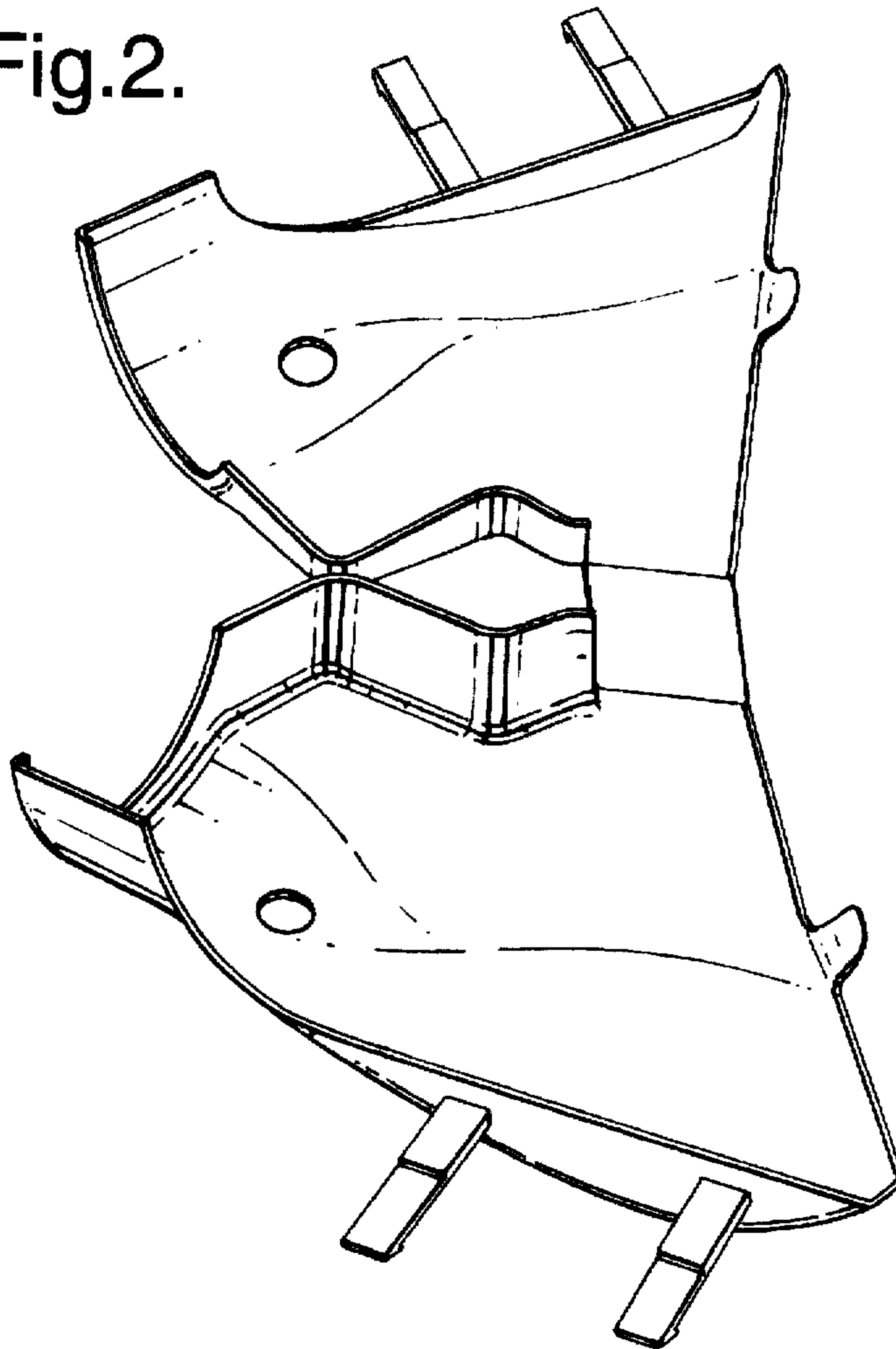


Fig.3.

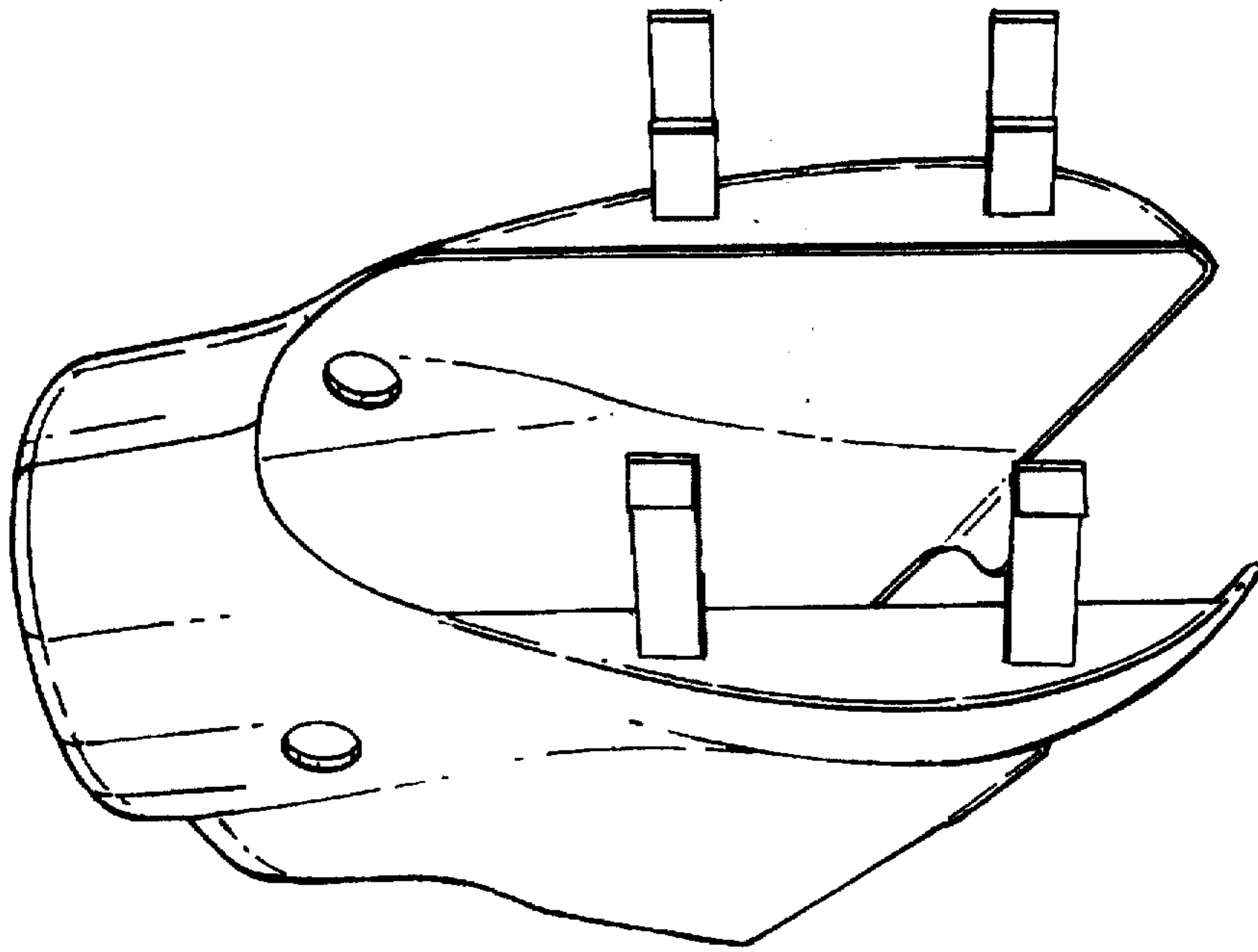


Fig.4.

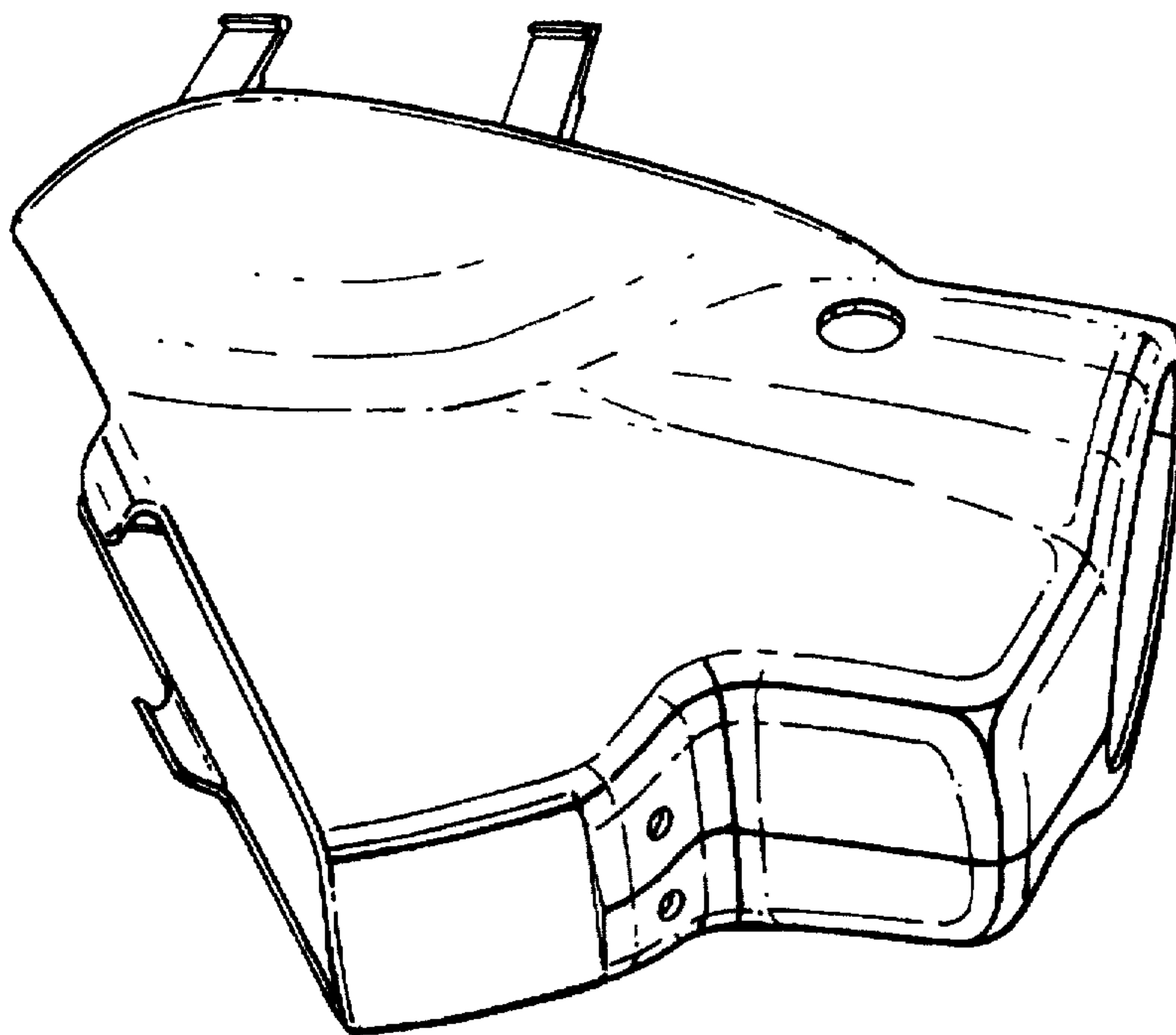


Fig.5.

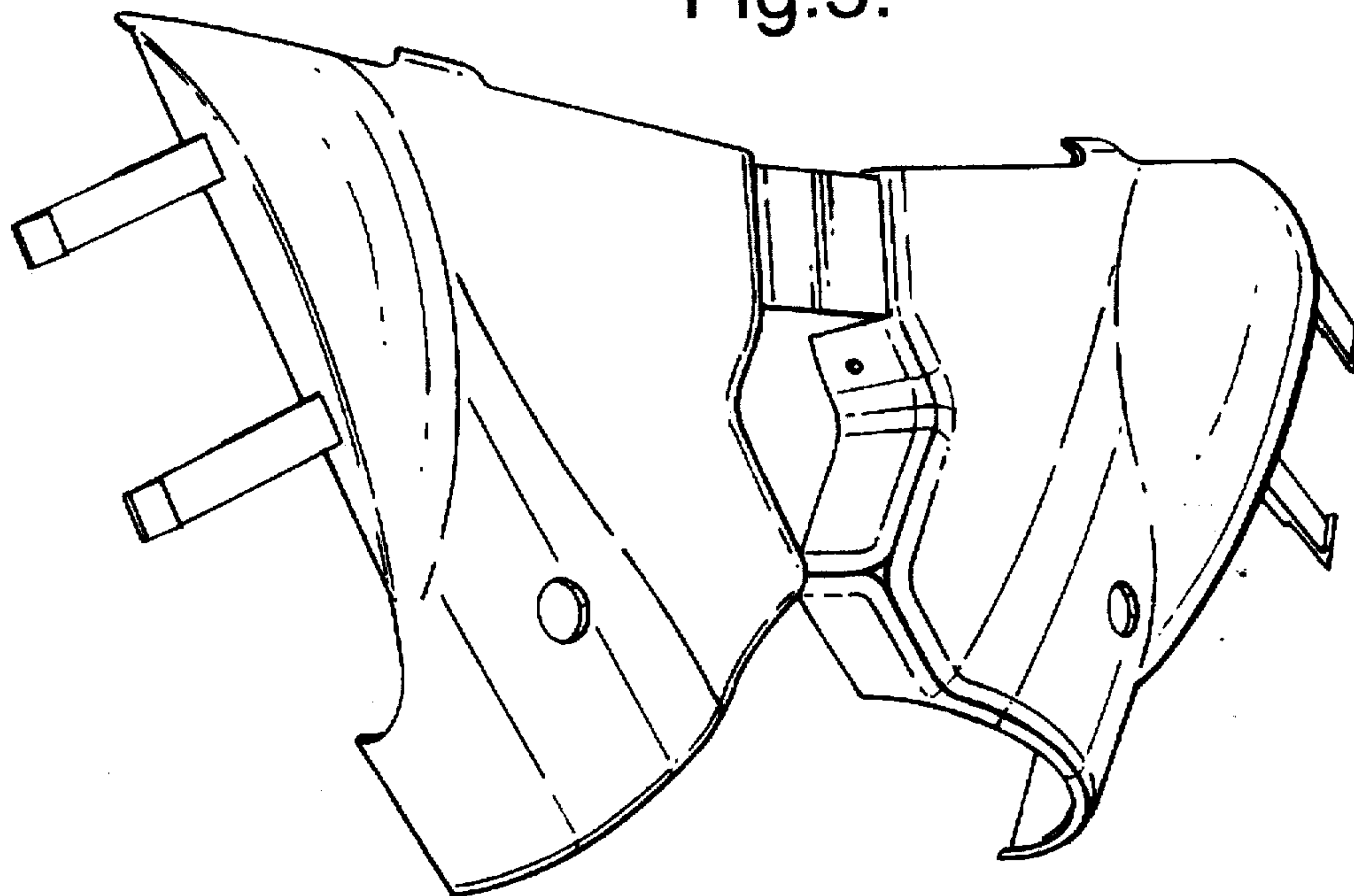


Fig.6.

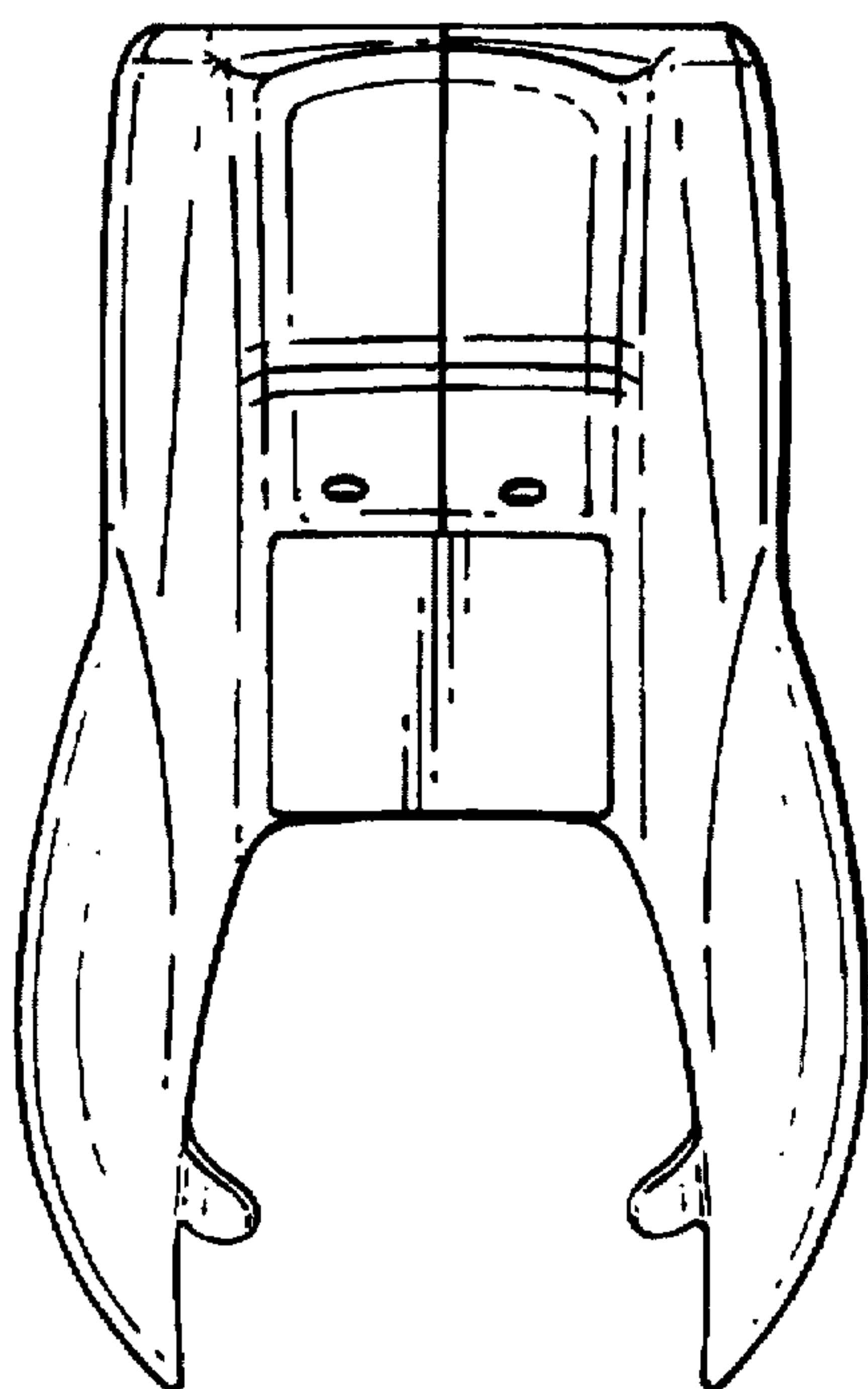


Fig.7.

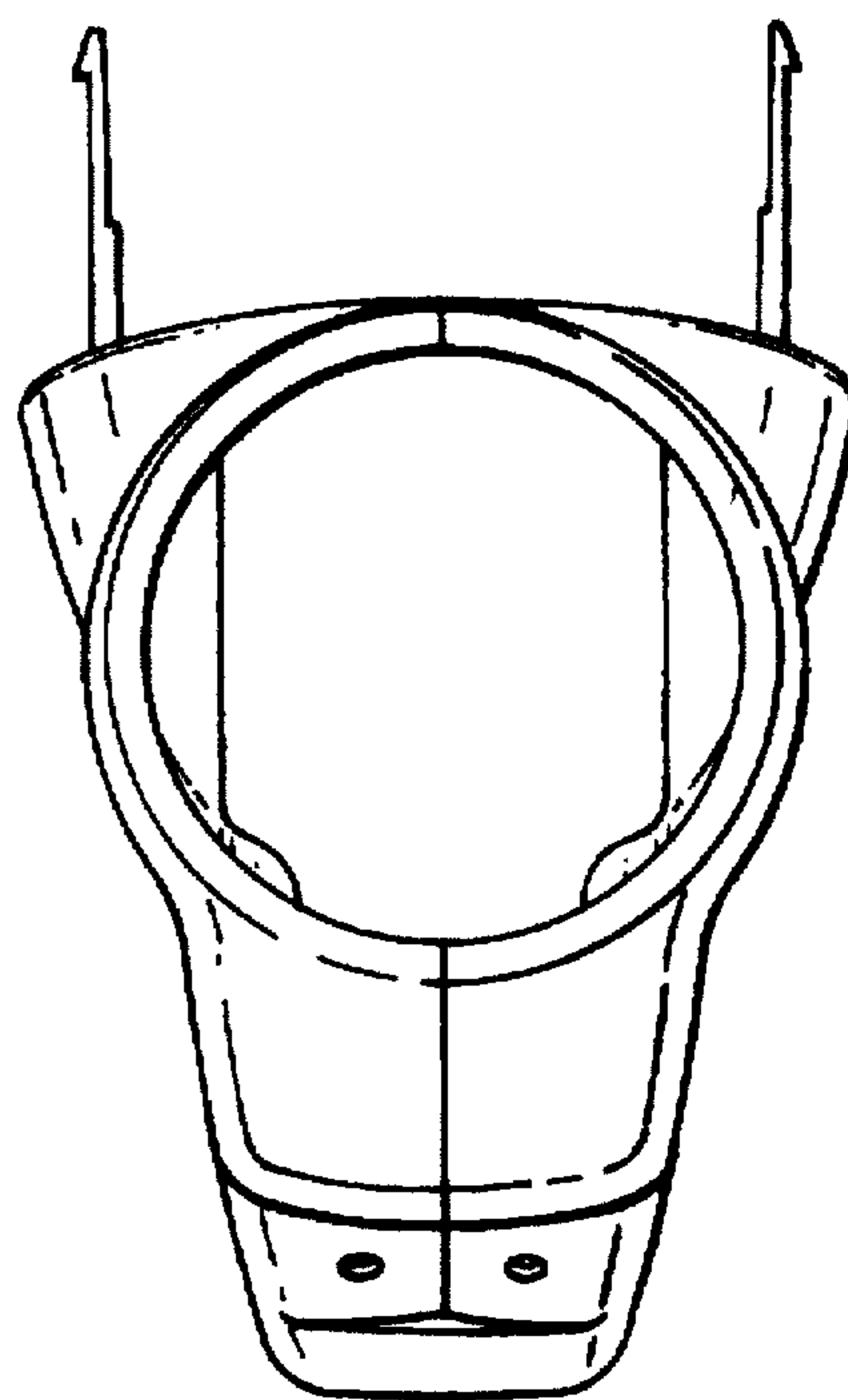


Fig.8.

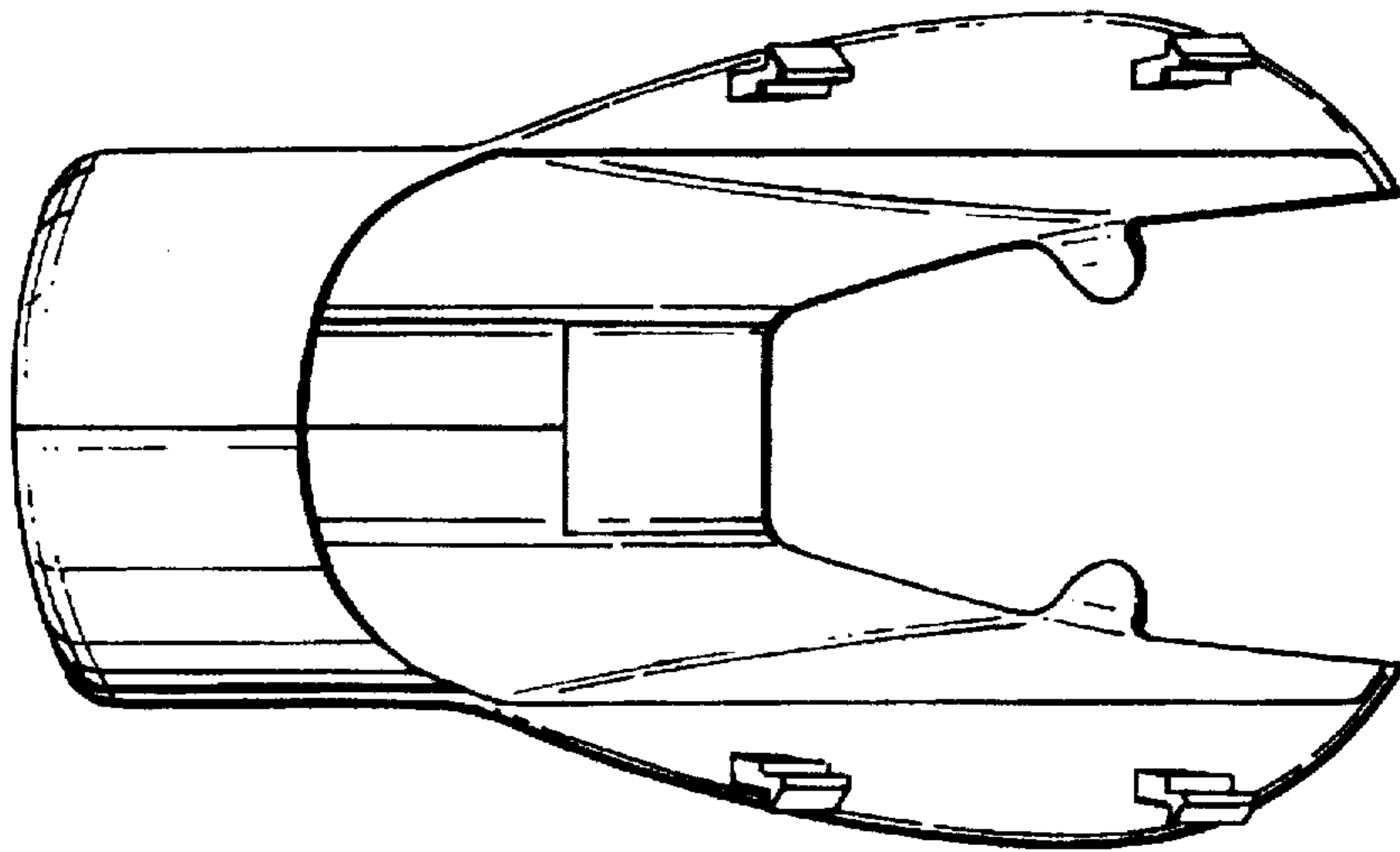


Fig.9.

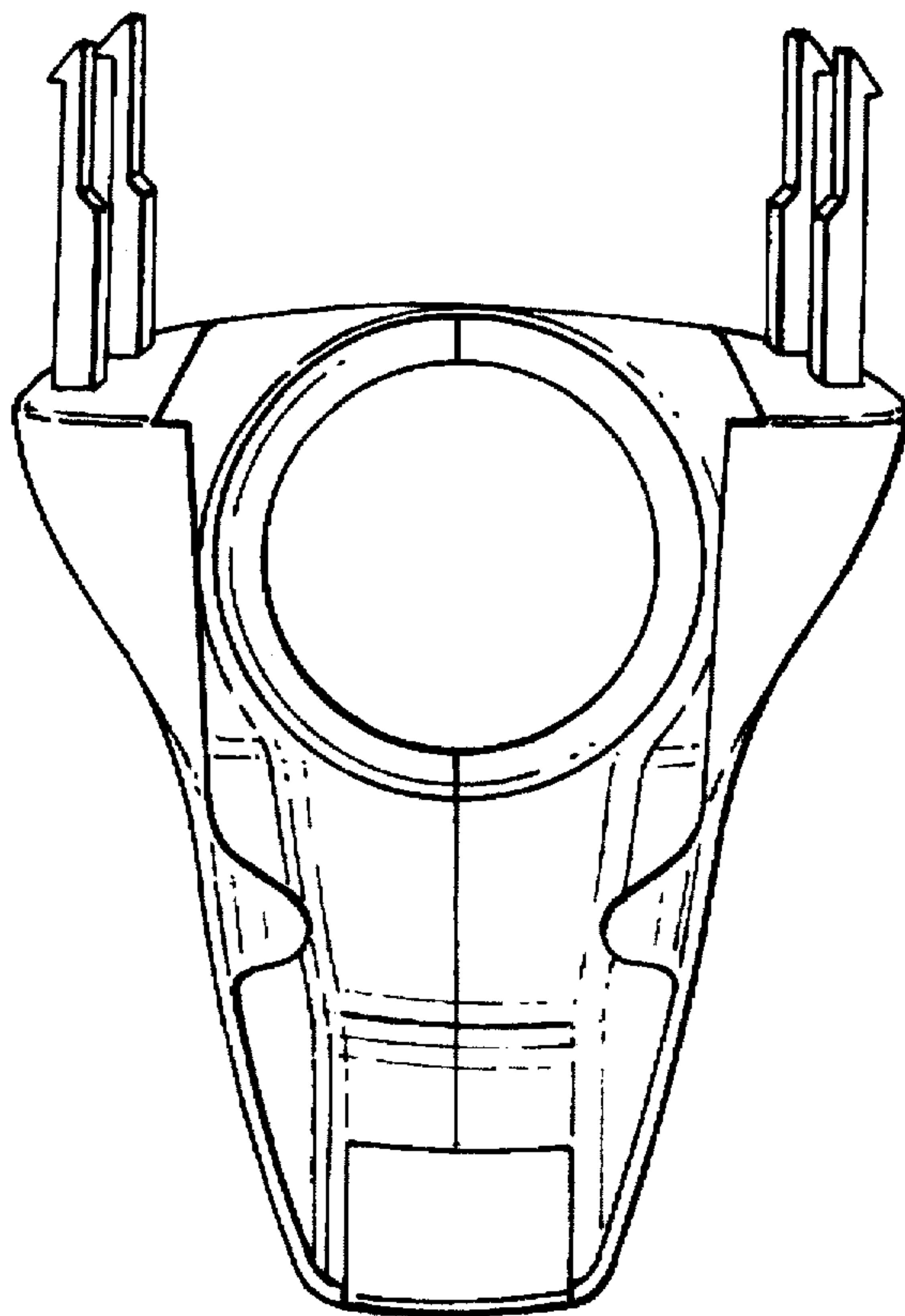


Fig.10.

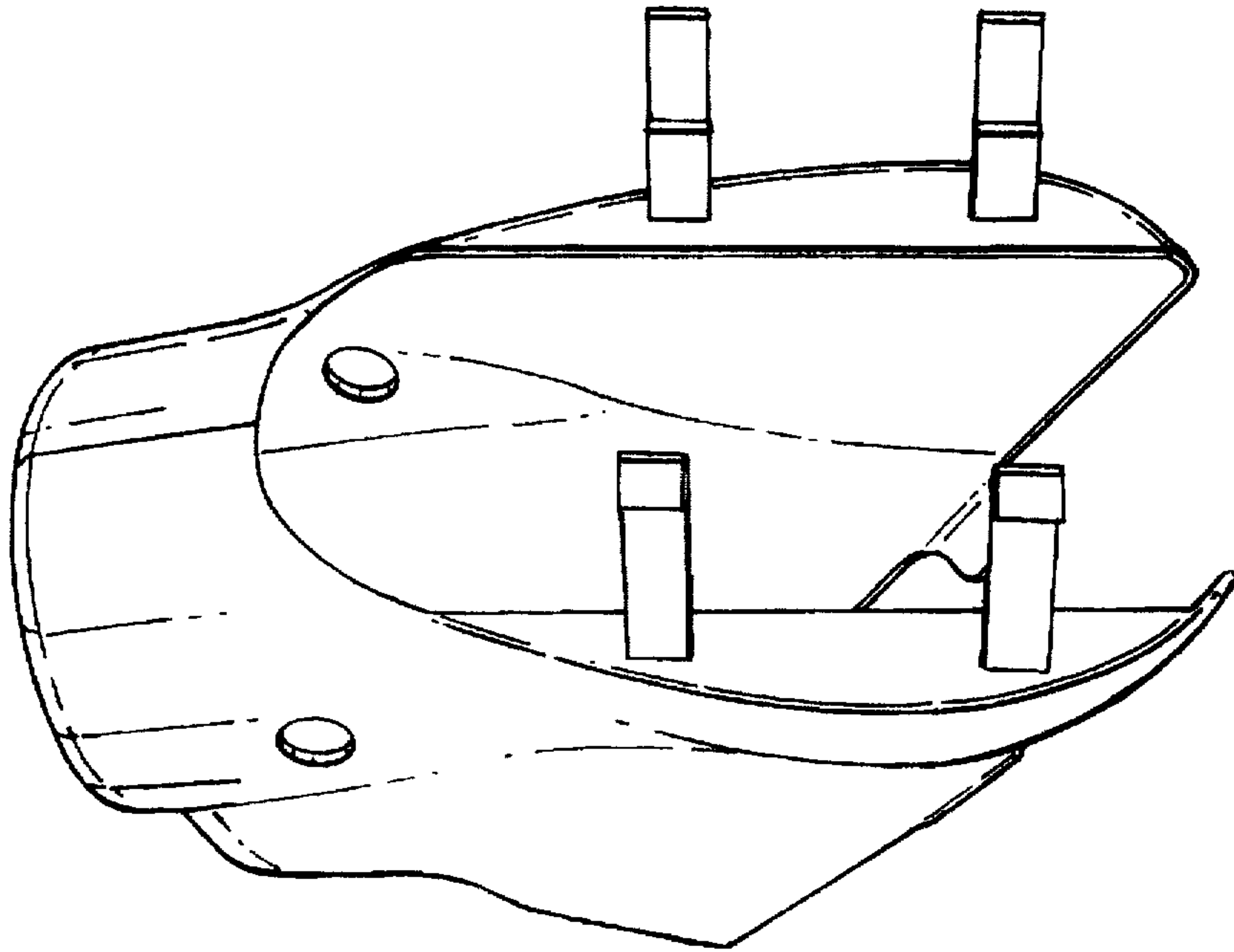


Fig.11.

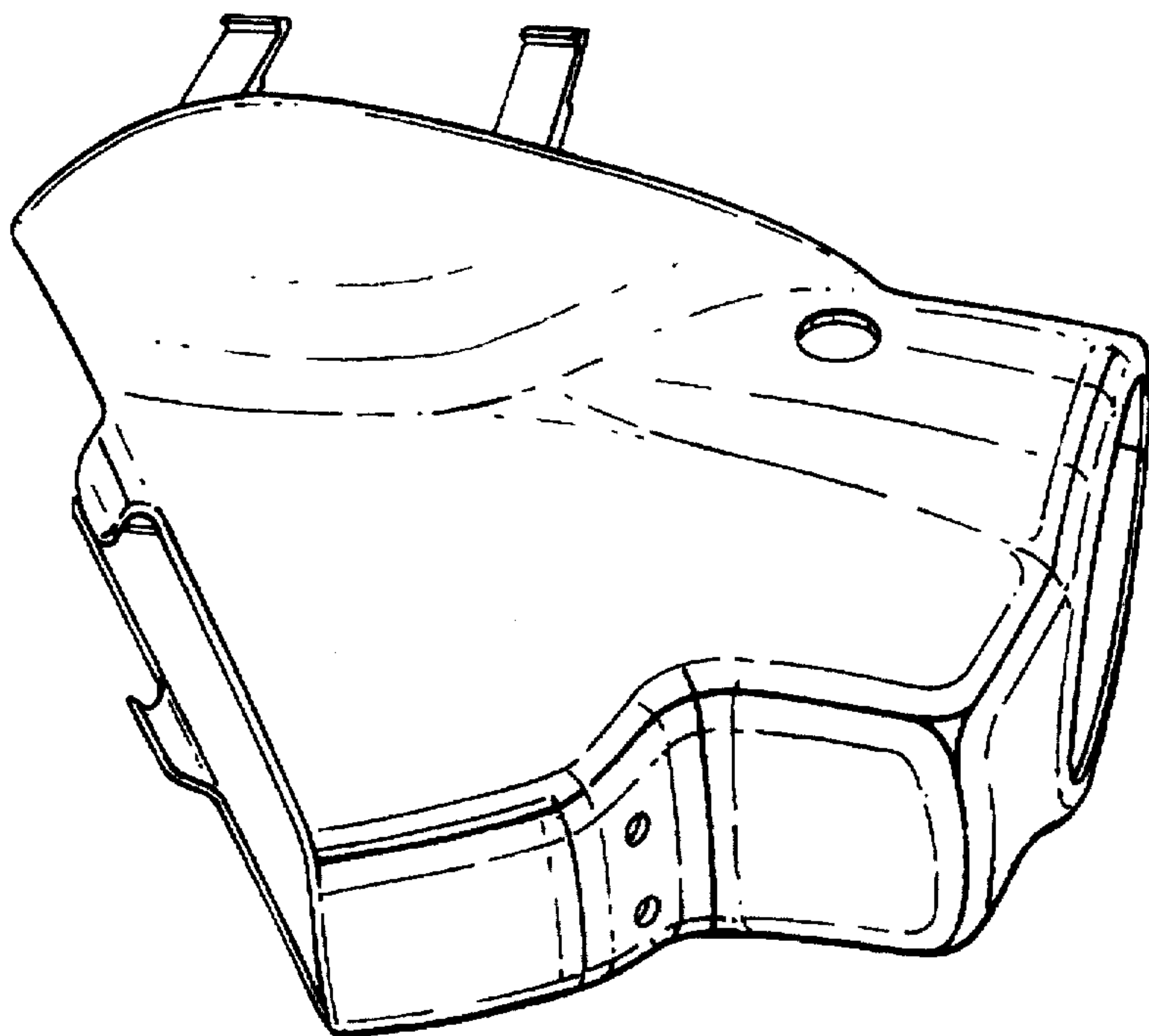


Fig.12.

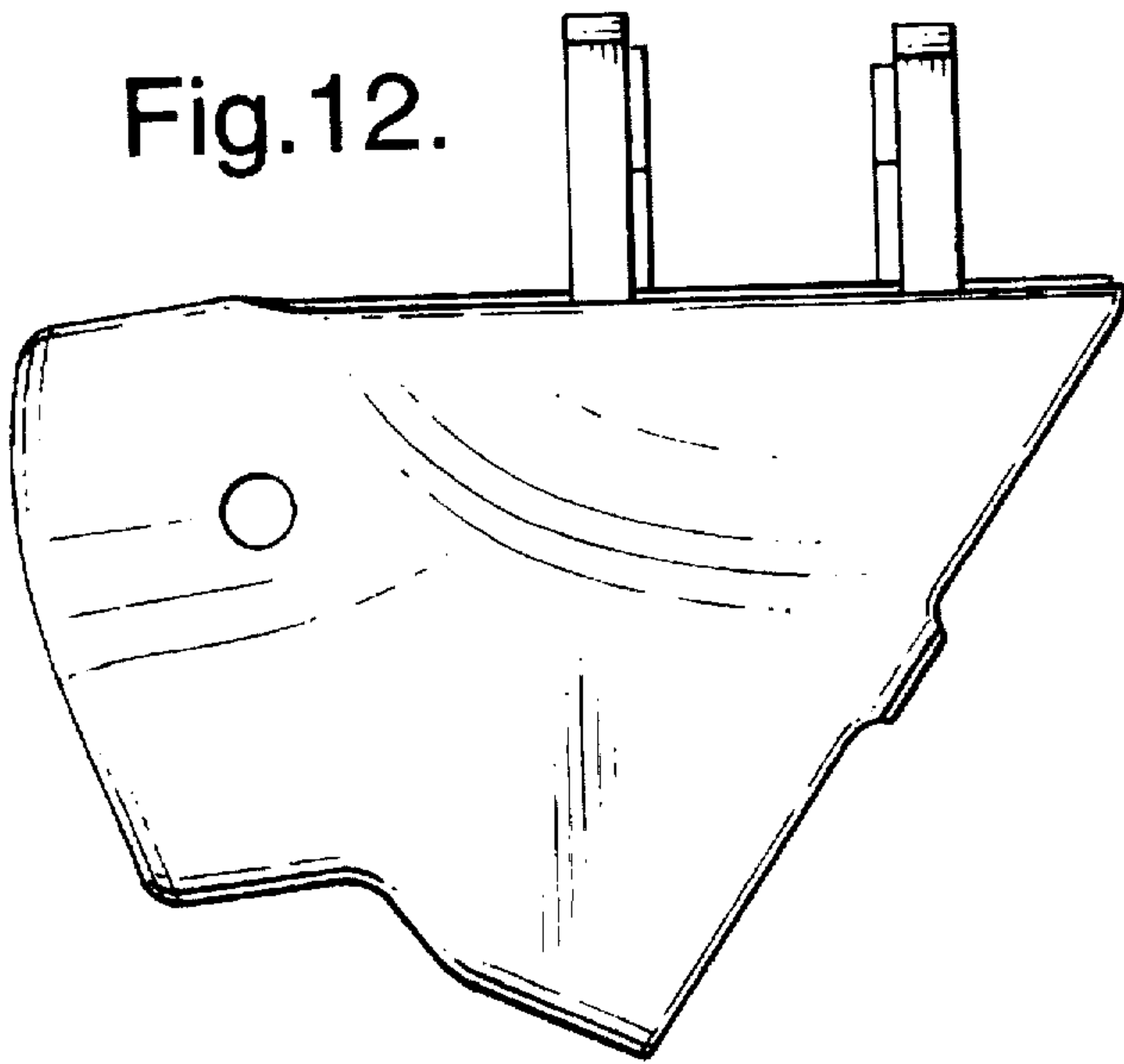


Fig.13.

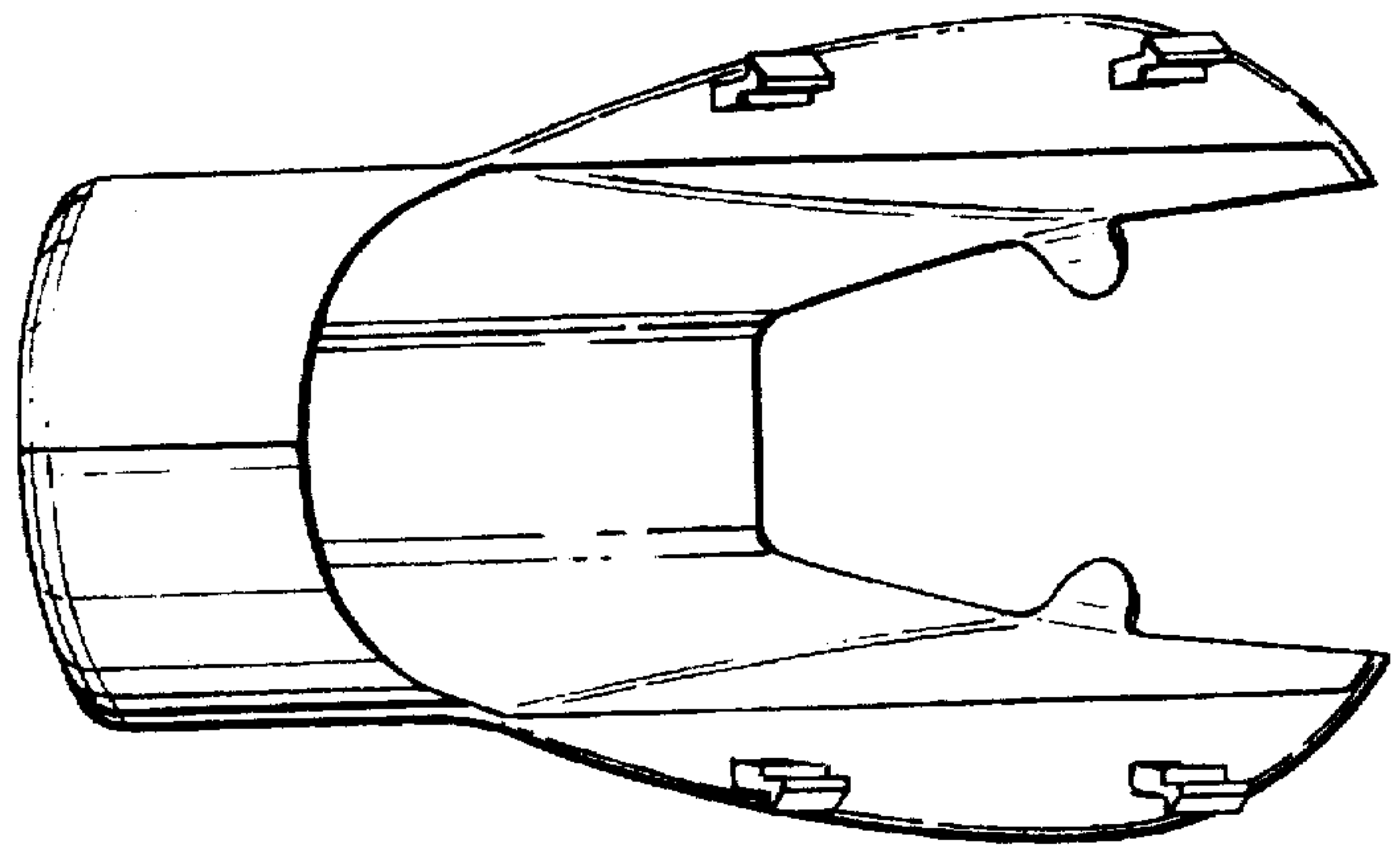


Fig.14.

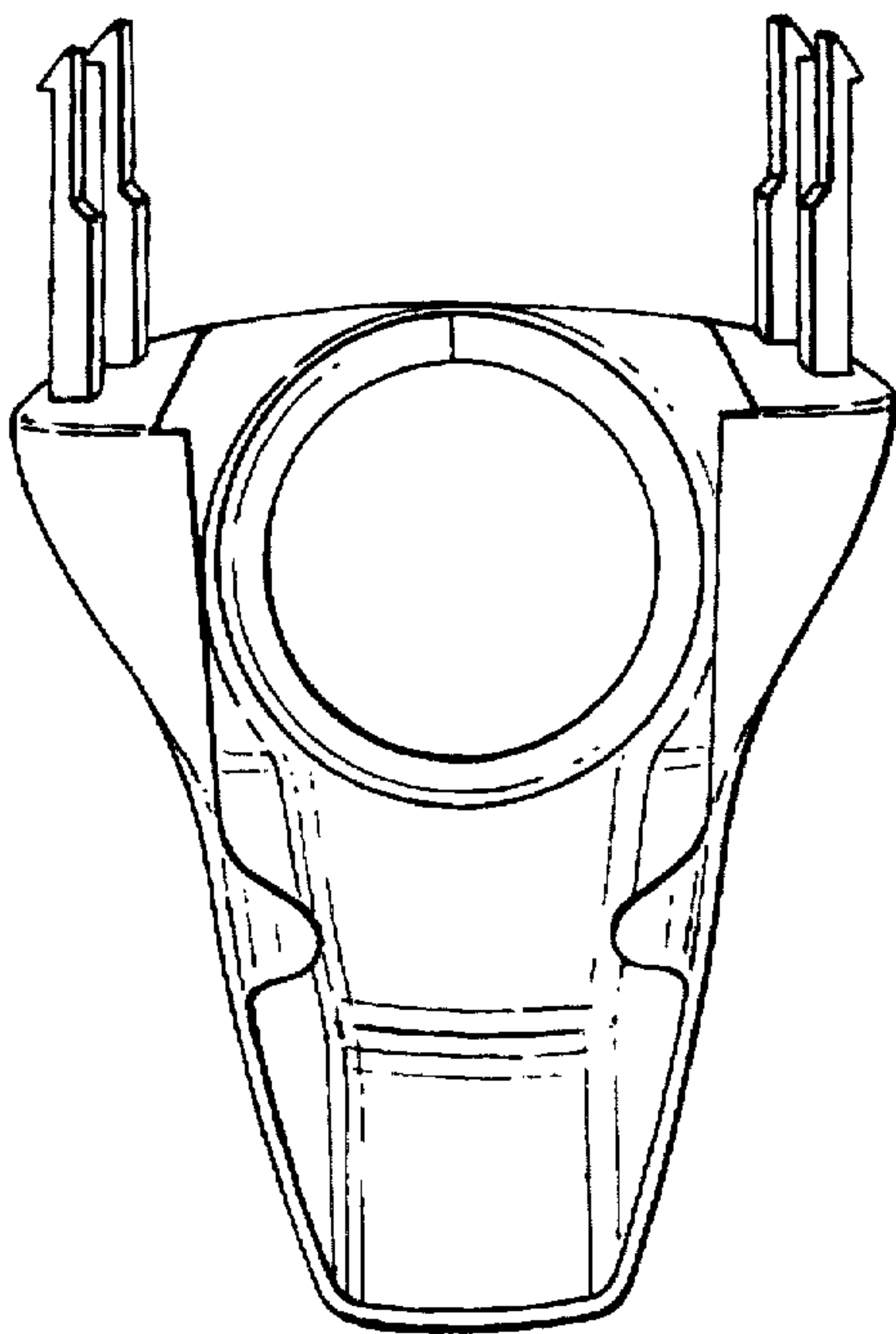


Fig.15.

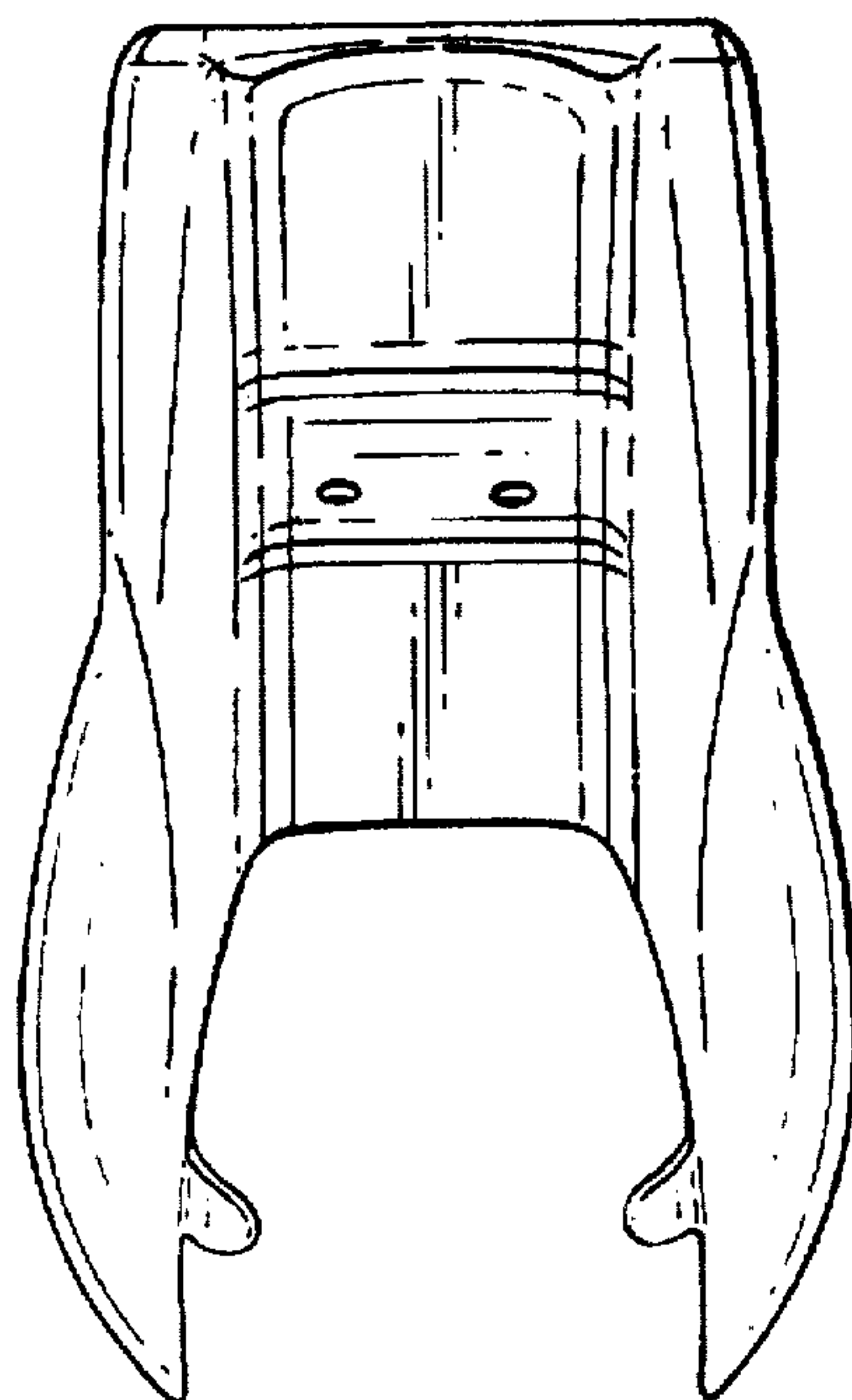


Fig.16.

