



US00D389558S

United States Patent [19]

[11] Patent Number: **Des. 389,558**

Andrus

[45] Date of Patent: *****Jan. 20, 1998**

[54] **HAND HELD SHOWER HEAD**

[75] Inventor: **Leonard C. Andrus**, Plymouth, Mich.

[73] Assignee: **Brass-Craft Manufacturing Company**, Novi, Mich.

[*] Notice: The portion of the term of this patent subsequent to Apr. 23, 2010, has been disclaimed.

[**] Term: **14 Years**

[21] Appl. No.: **52,313**

[22] Filed: **Apr. 2, 1996**

Related U.S. Application Data

[62] Division of Ser. No. 26,909, Aug. 9, 1994, Pat. No. Des. 369,204.

[51] LOC (6) Cl. **23-01**

[52] U.S. Cl. **D23/223**

[58] Field of Search D23/213, 223-229; 239/394, 268, 282, 456-460, 443-449, 390, 391, 380-3, 562-567

[56] References Cited

U.S. PATENT DOCUMENTS

D. 332,303 1/1993 Klose D23/223

D. 334,048	3/1993	Ben-zur	D23/223
D. 349,947	8/1994	Hing-wah	D23/223
D. 366,309	1/1996	Huang	D23/223
D. 369,204	4/1996	Andrus	D23/223
D. 369,205	4/1996	Andrus	D23/223
D. 370,052	5/1996	Chan et al.	D23/223

Primary Examiner—Alan P. Douglas
Assistant Examiner—Robin V. Taylor
Attorney, Agent, or Firm—Myron B. Kapustij; Malcolm L. Sutherland

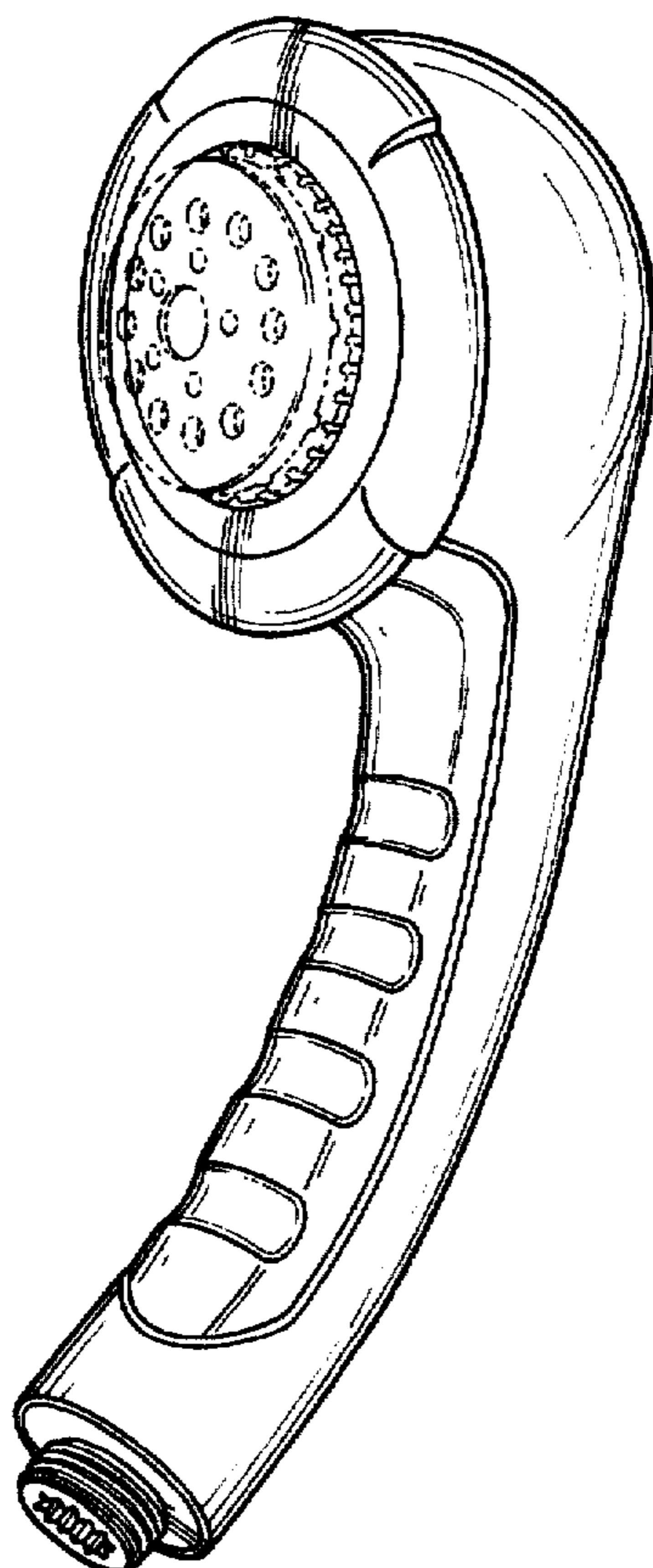
[57] CLAIM

The ornamental design for a hand held shower head, as shown and described.

DESCRIPTION

FIG. 1 is a front perspective view of a hand held shower head showing my new design;
FIG. 2 is a front elevational view thereof;
FIG. 3 is a left side elevational view thereof, the right side being a mirror image;
FIG. 4 is a bottom plan view thereof;
FIG. 5 is a rear elevational view thereof; and,
FIG. 6 is a top plan view thereof.
The broken line representations of the face plate in FIG. 1 is for purposes of illustration only and forms no part of the claimed design.

1 Claim, 3 Drawing Sheets



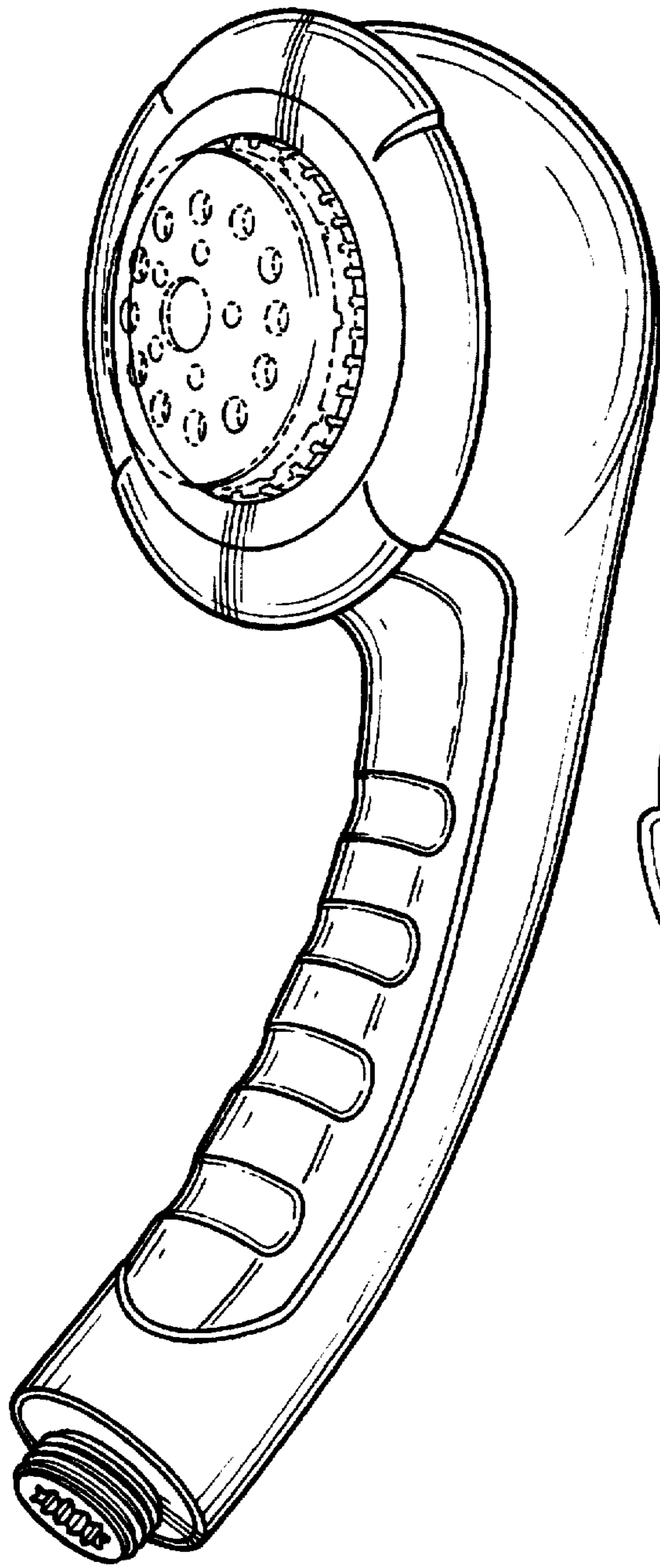


Fig - 1

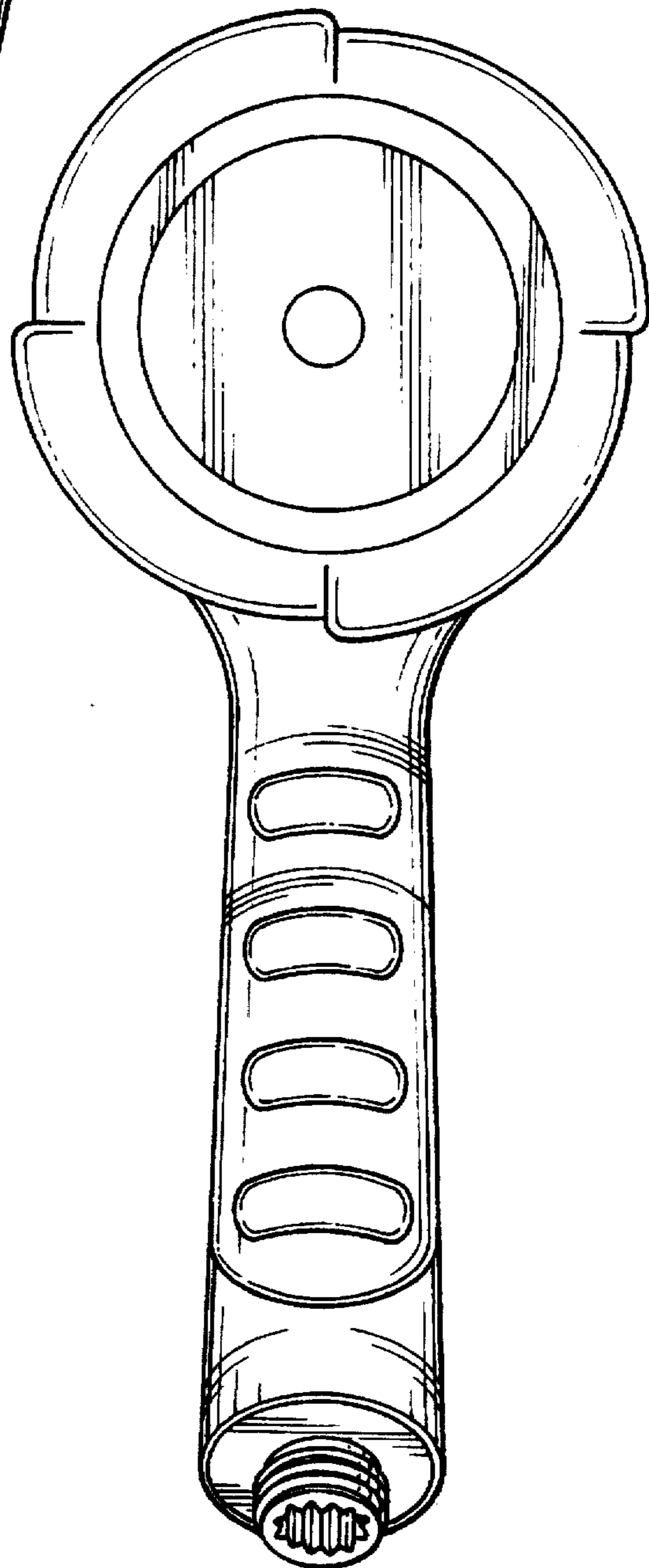


Fig - 2

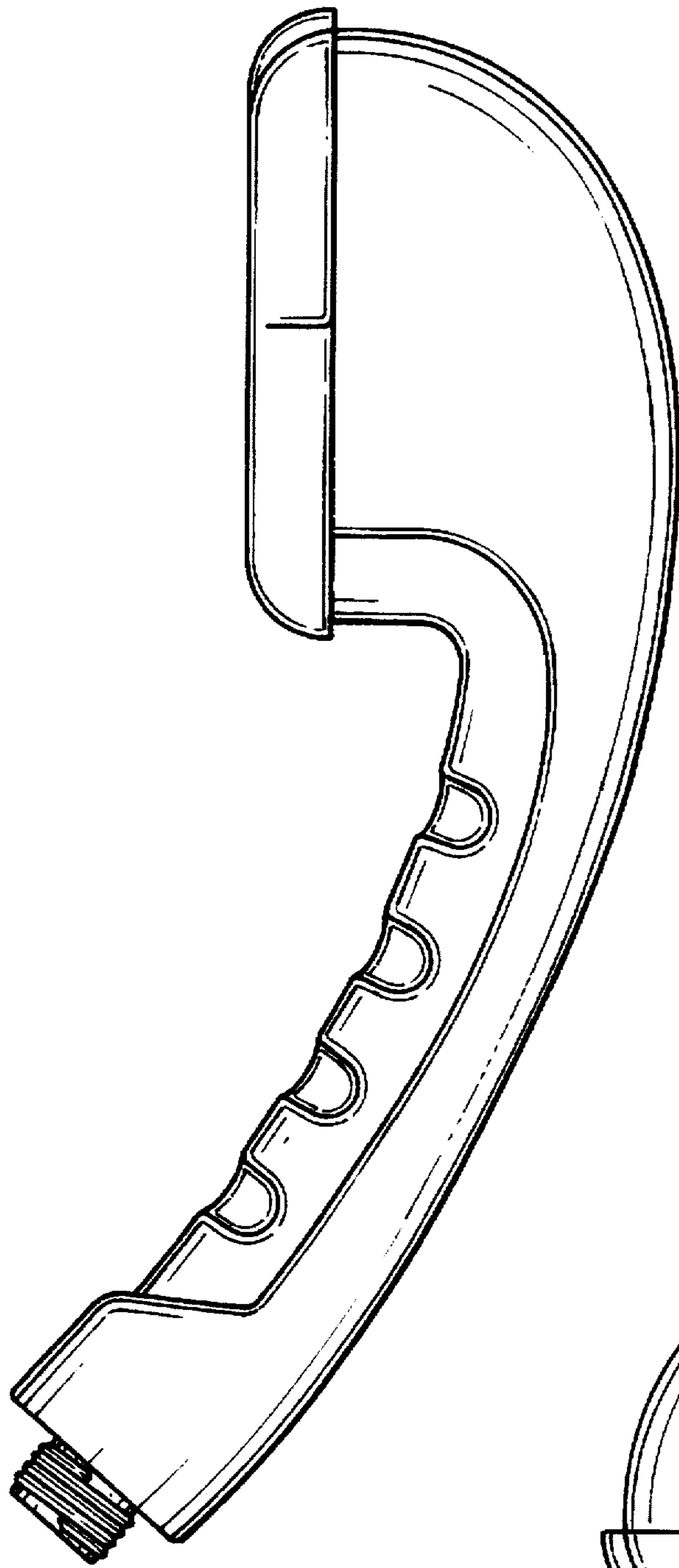


Fig - 3

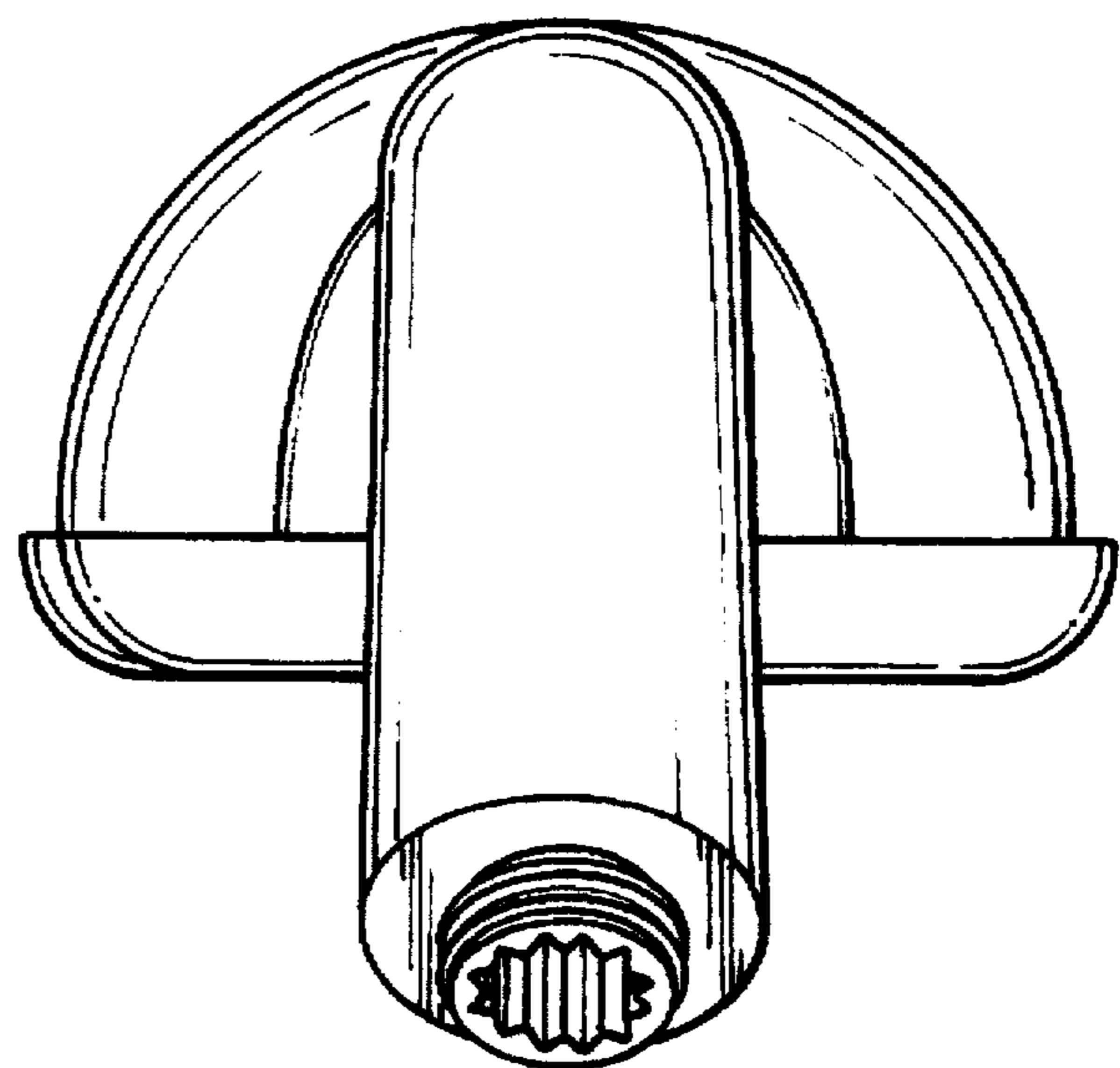


Fig - 4

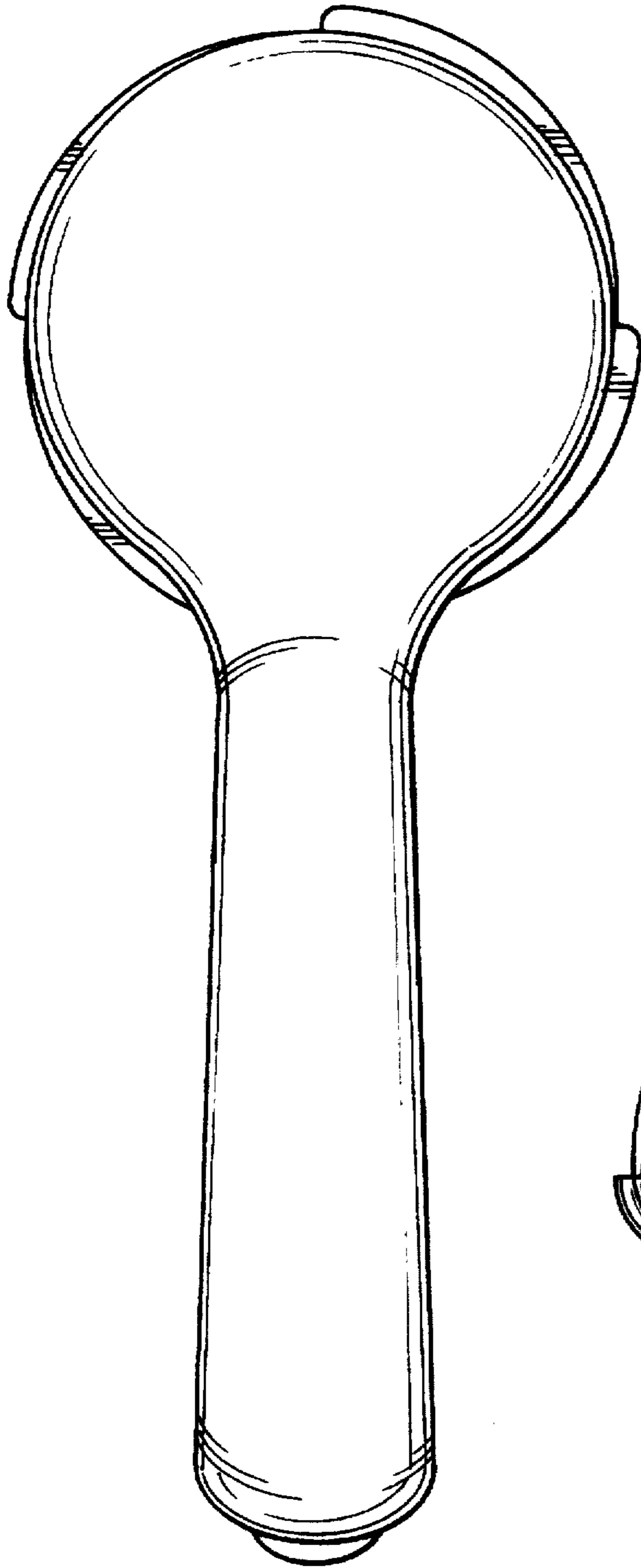


Fig - 5

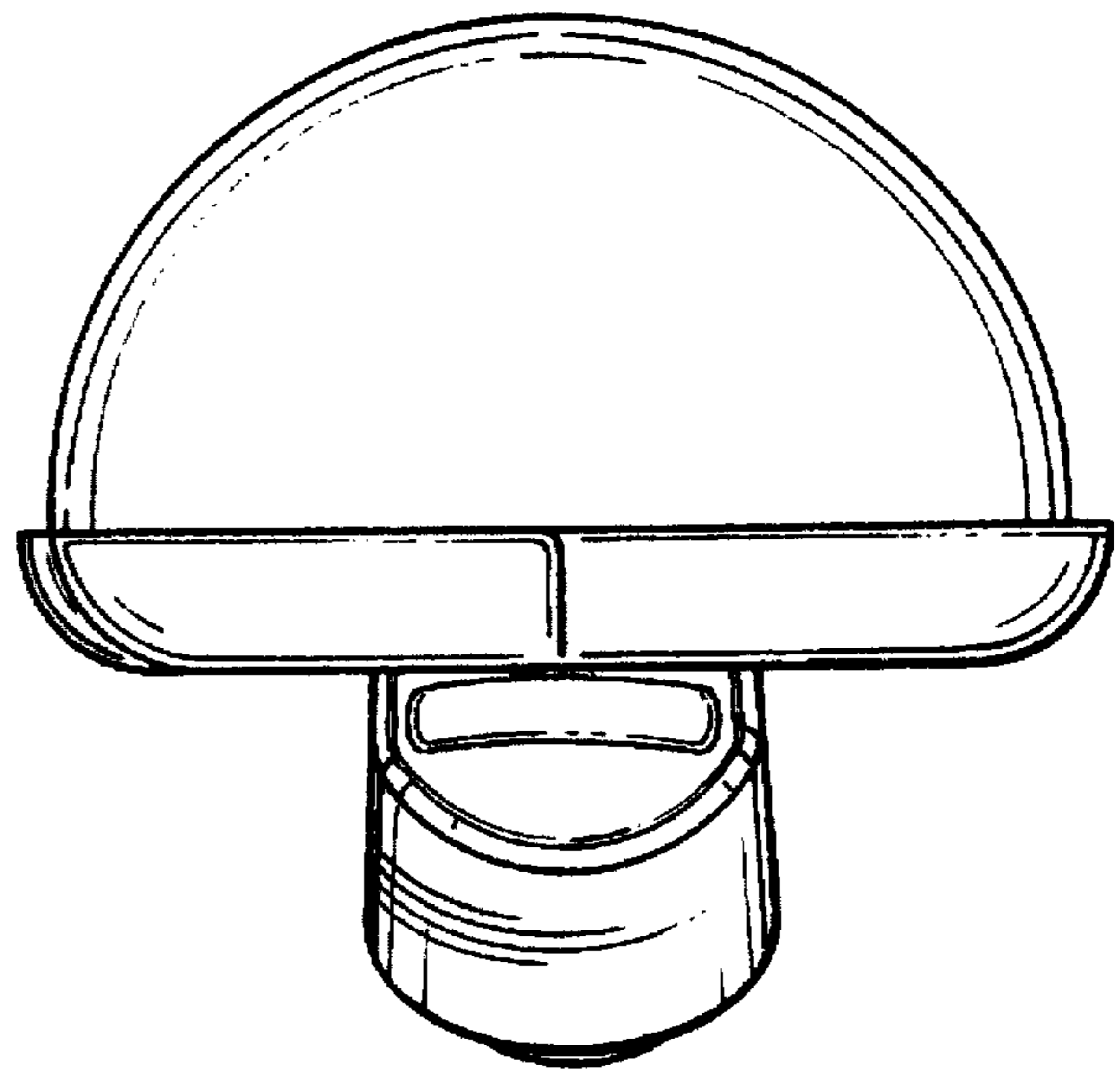


Fig - 6