



US00D389557S

# United States Patent [19] Sweat

[11] Patent Number: **Des. 389,557**  
[45] Date of Patent: **\*\*Jan. 20, 1998**

[54] **NEBULIZER**  
[75] Inventor: **Steven D. Sweat**, Englewood, Colo.  
[73] Assignee: **Precision Glassblowing of Colorado, Inc.**, Englewood, Colo.  
[\*\*] Term: **14 Years**  
[21] Appl. No.: **54,639**  
[22] Filed: **May 17, 1996**  
[51] LOC (6) Cl. .... **23-01**  
[52] U.S. Cl. .... **D23/213**  
[58] Field of Search ..... D24/110; D23/213;  
239/338, 337, 423, 426, 434, 433, 600,  
DIG. 19; 128/200.18

4,125,225 11/1978 Venghiattis ..... 239/338  
4,880,164 11/1989 Noordermeer ..... 239/423  
5,054,478 10/1991 Grychowski et al. .... 128/204.25 X  
5,163,617 11/1992 Clifford et al. .... 239/338 X  
5,411,208 5/1995 Burgener ..... 239/8

*Primary Examiner*—Stella Reid  
*Attorney, Agent, or Firm*—William E. Hein

### [57] CLAIM

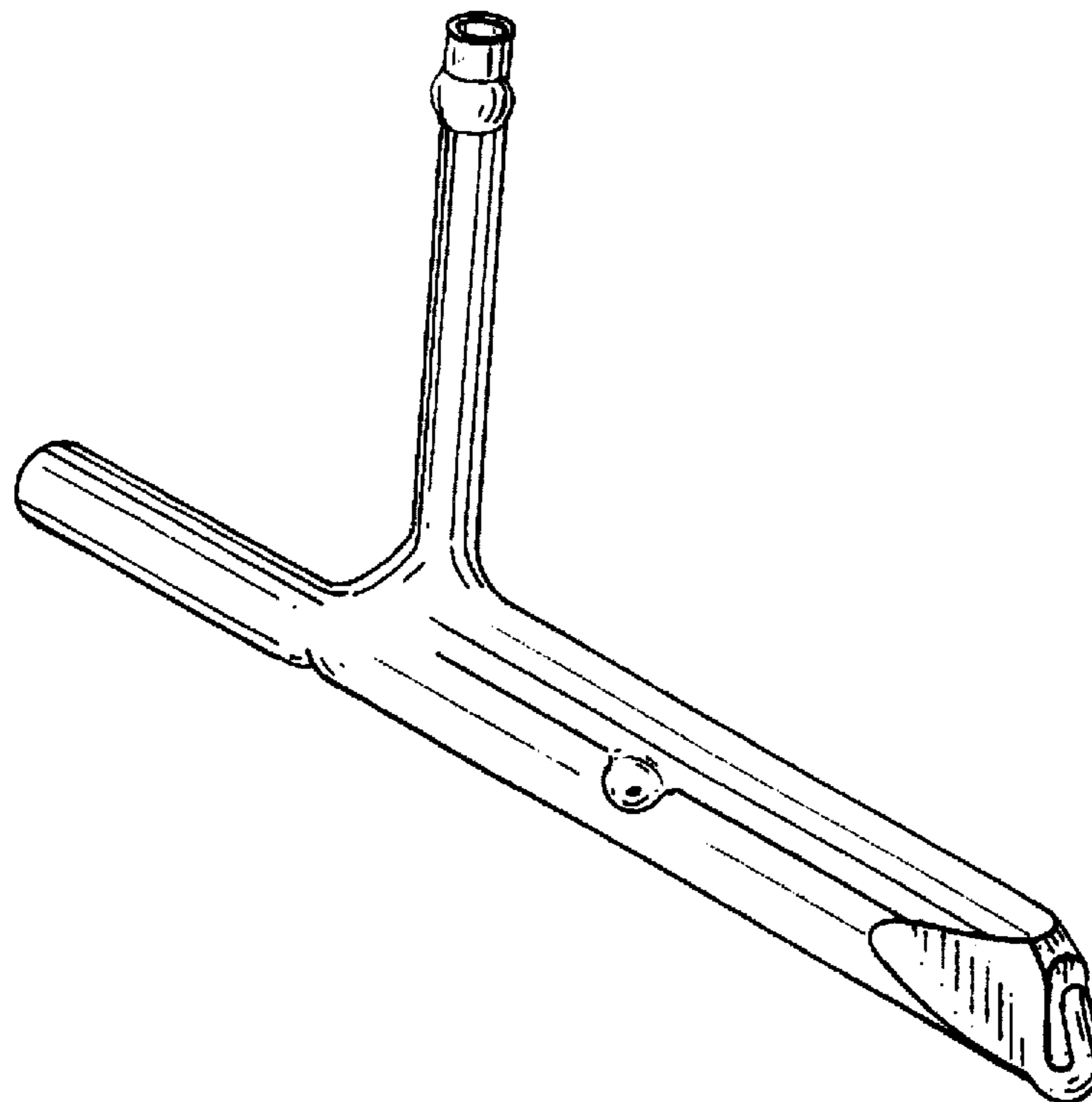
The ornamental design for a nebulizer, as shown and described.

### DESCRIPTION

FIG. 1 is a perspective view of a nebulizer, showing my new design;  
FIG. 2 is a front elevation view;  
FIG. 3 is a rear elevation view;  
FIG. 4 is a top plan view;  
FIG. 5 is a bottom plan view;  
FIG. 6 is a left side elevation view; and,  
FIG. 7 is a right side elevation view.

[56] **References Cited**  
U.S. PATENT DOCUMENTS  
D. 202,399 9/1965 Cheney ..... D24/110  
3,127,406 3/1964 Bird et al. .... D24/110 X  
3,806,250 4/1974 George ..... 239/338 X

**1 Claim, 1 Drawing Sheet**



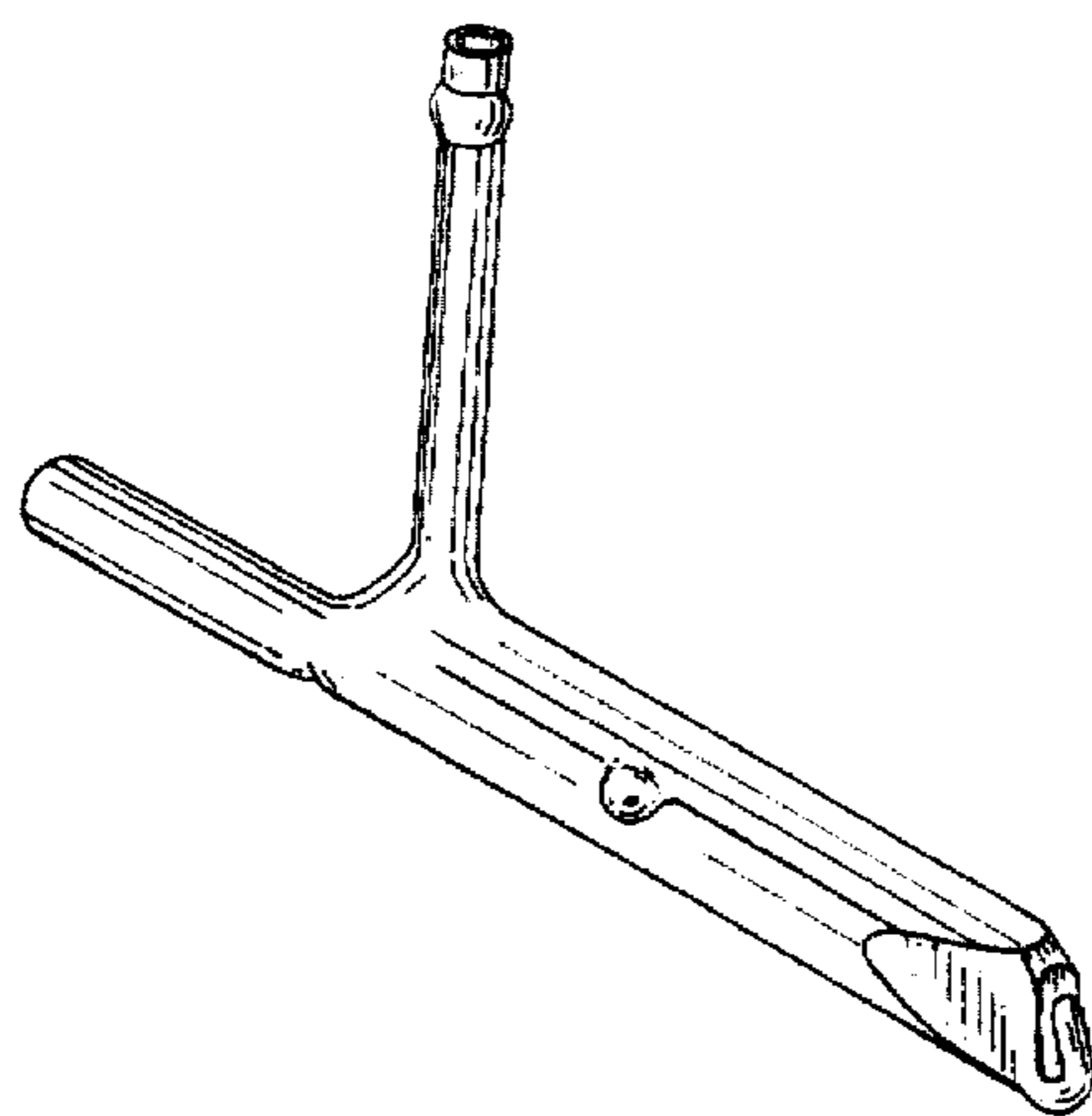


FIG. 1

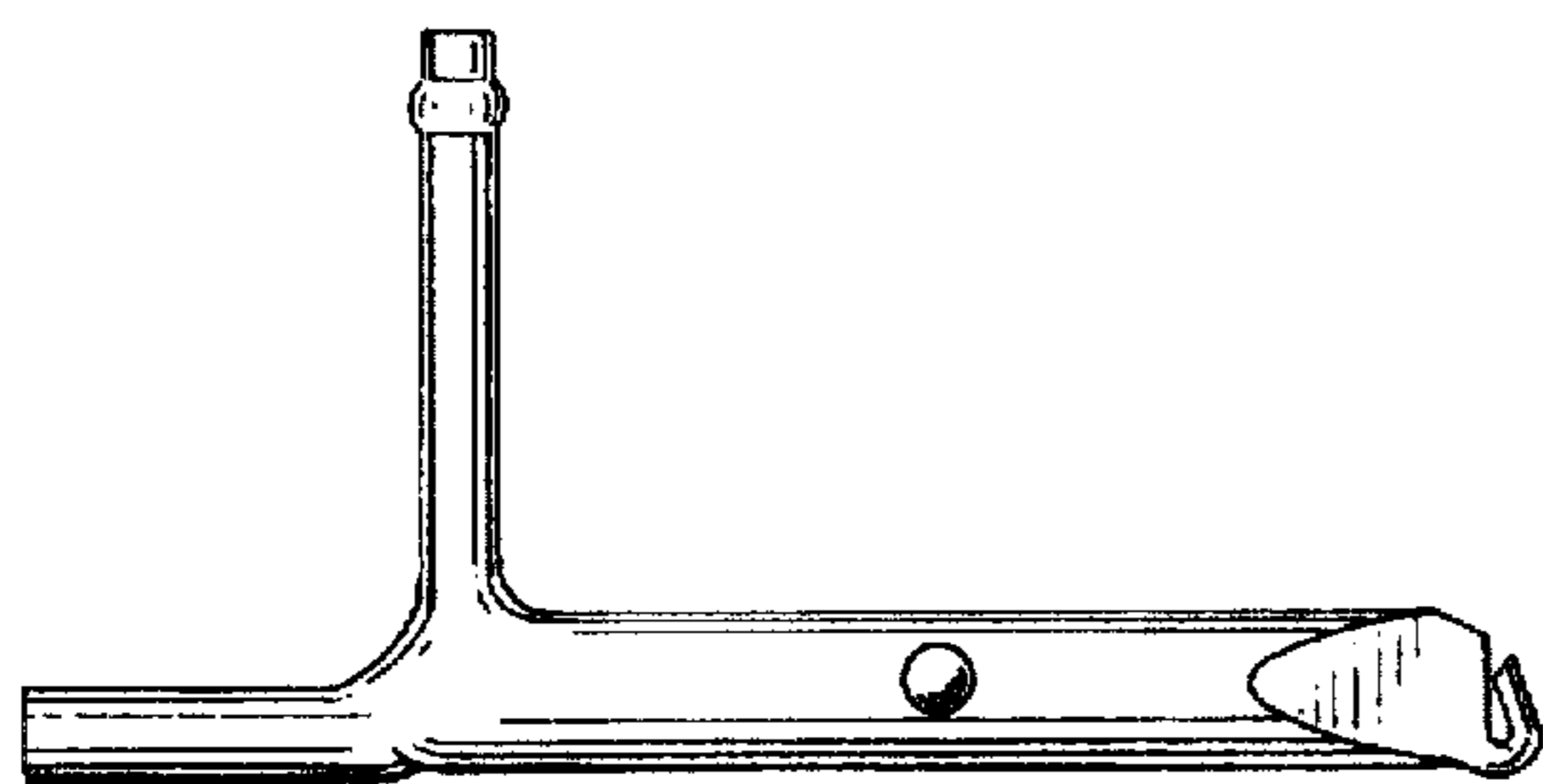


FIG. 2

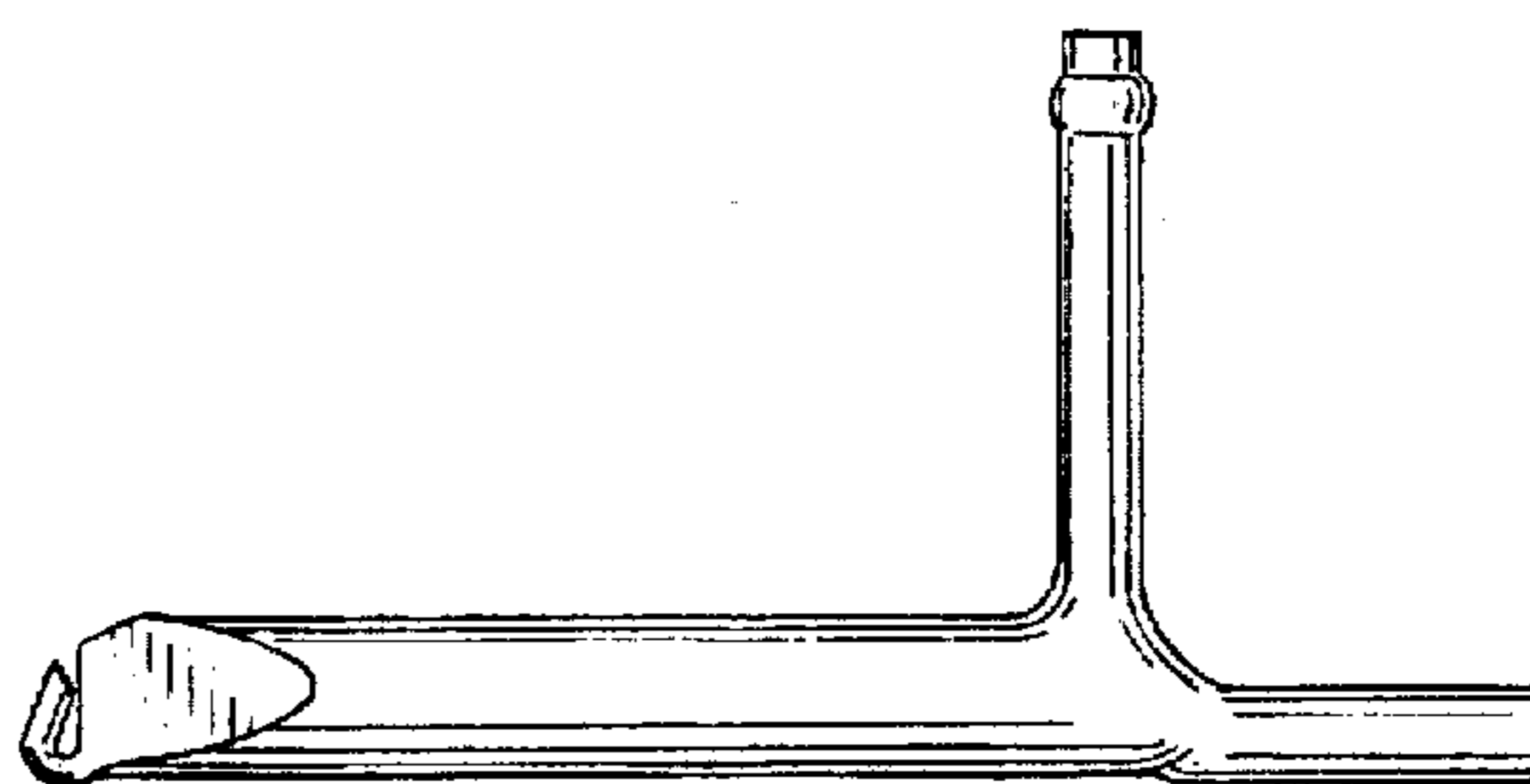


FIG. 3

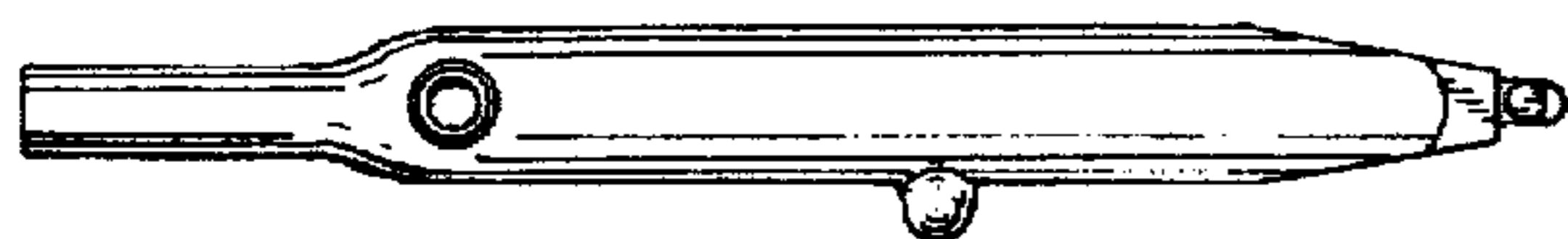


FIG. 4

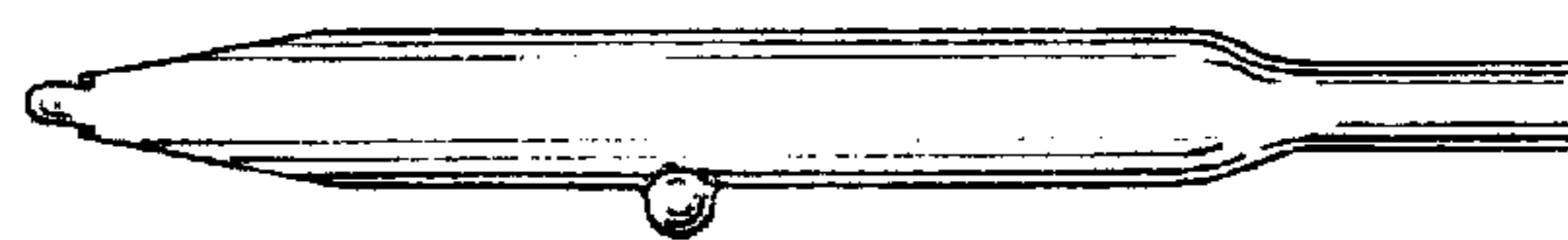


FIG. 5

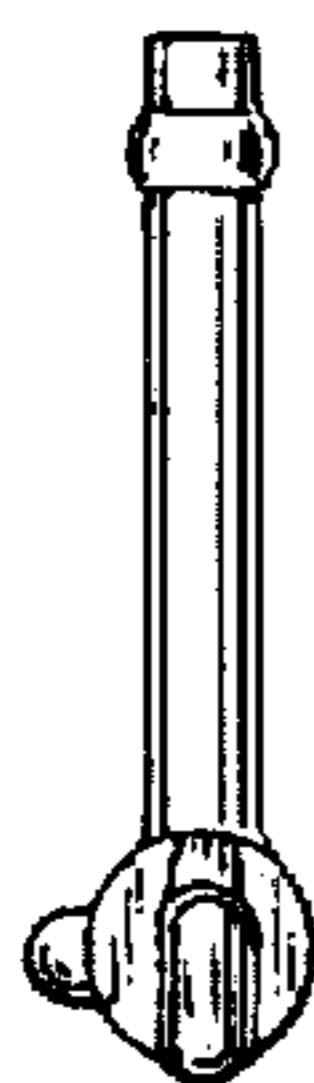


FIG. 6

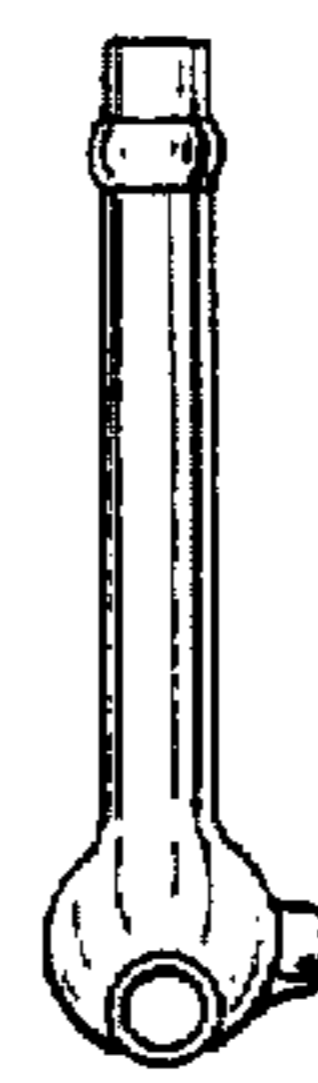


FIG. 7