

US00D389552S

United States Patent [19]
Fitzgerald, Jr.

[11] **Patent Number:** **Des. 389,552**
[45] **Date of Patent:** ****Jan. 20, 1998**

[54] **ARCHERY CROSSBOW STABILIZER**

[75] **Inventor:** **James J. Fitzgerald, Jr.,** Revena, Ky.

[73] **Assignee:** **Archery Center, Inc.,** Irvine, Ky.

[**] **Term:** **14 Years**

[21] **Appl. No.:** **62,744**

[22] **Filed:** **Nov. 22, 1996**

[51] **LOC (6) Cl.** **22-01**

[52] **U.S. Cl.** **D22/107; D22/100; D22/199**

[58] **Field of Search** **D22/100, 107,**
D22/199; 129/25, 89; D21/145

4,660,538	4/1987	Burgard .	
4,779,602	10/1988	Hess .	
4,893,606	1/1990	Sisko .	
4,907,567	3/1990	Henrich	124/89
4,976,250	12/1990	Jeffrey	124/25
5,016,602	5/1991	Mizek .	
5,611,325	3/1997	Kudlacek	124/89
5,619,981	4/1997	Breedlove	124/89
5,630,407	5/1997	Gasser	124/89

Primary Examiner—Louis S. Zarfes

Assistant Examiner—Monica A. Weingart

Attorney, Agent, or Firm—Middleton & Reutlinger; David W. Carrithers

[57] **CLAIM**

The ornamental design for an archery crossbow stabilizer, as shown and described.

DESCRIPTION

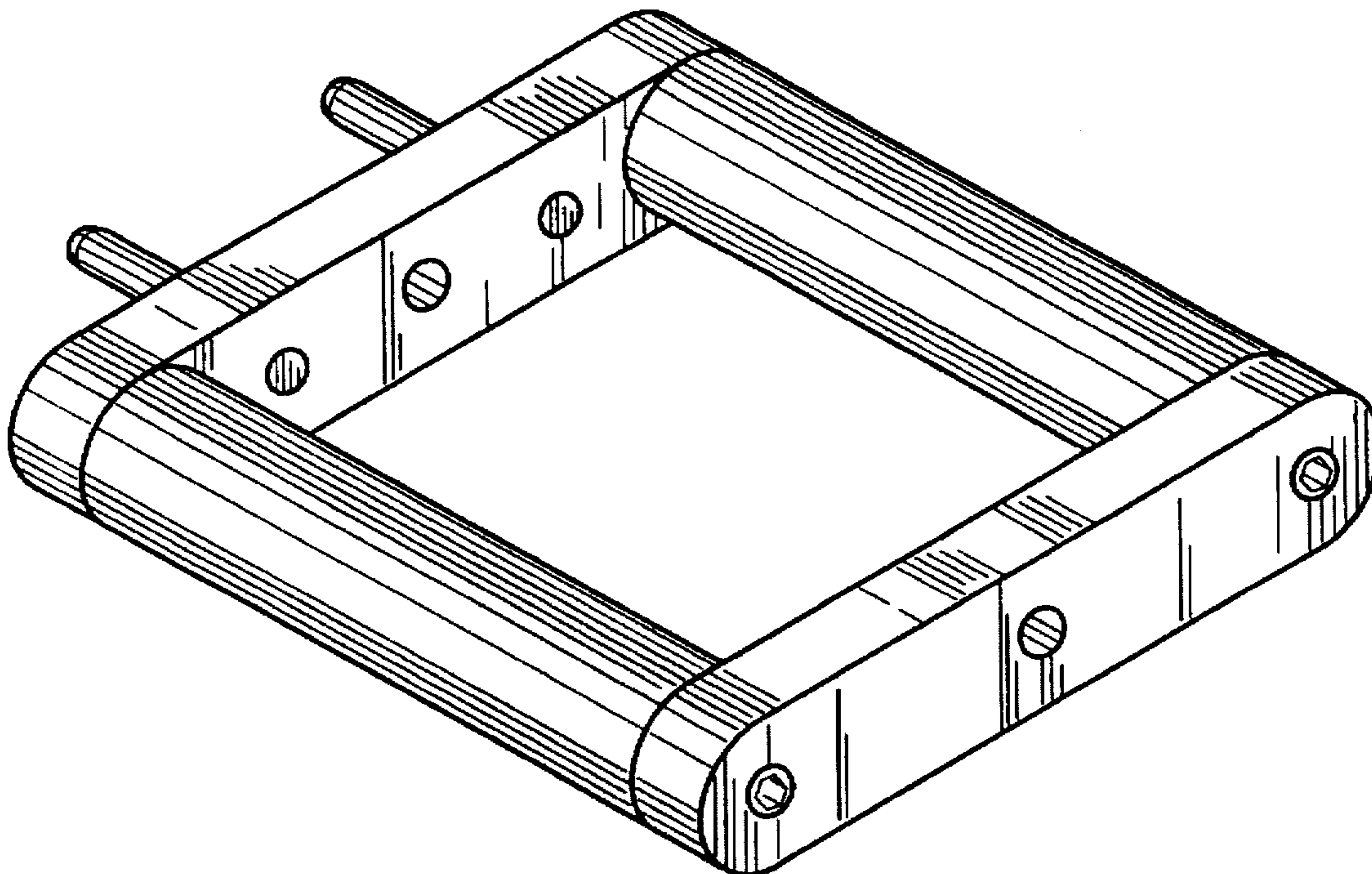
FIG. 1 is a perspective view of an archery crossbow stabilizer in accordance with my design;
FIG. 2 is a front end view thereof; and,
FIG. 3 is a top plan view, the bottom plan view being a mirror image thereof;
FIG. 4 is an elevated side view of FIG. 3 rotated ninety degrees, the opposite side view being a mirror image thereof; and,
FIG. 5 is a rear end view thereof.

1 Claim, 1 Drawing Sheet

[56] **References Cited**

U.S. PATENT DOCUMENTS

D. 337,796	7/1993	Sutyak	D21/145
3,342,172	9/1967	Sanders .	
3,502,062	3/1970	Shurts	124/89 X
3,589,350	6/1971	Hoyt, Jr. .	
3,628,520	12/1971	Izuta .	
3,670,712	6/1972	Izuta .	
3,683,883	8/1972	Izuta	124/89
4,011,929	3/1977	Jeram et al. .	
4,245,612	1/1981	Finlay .	
4,324,222	4/1982	Gasser .	
4,478,204	10/1984	Kocsan .	
4,570,608	2/1986	Masterfield .	
4,615,327	10/1986	Saunders .	



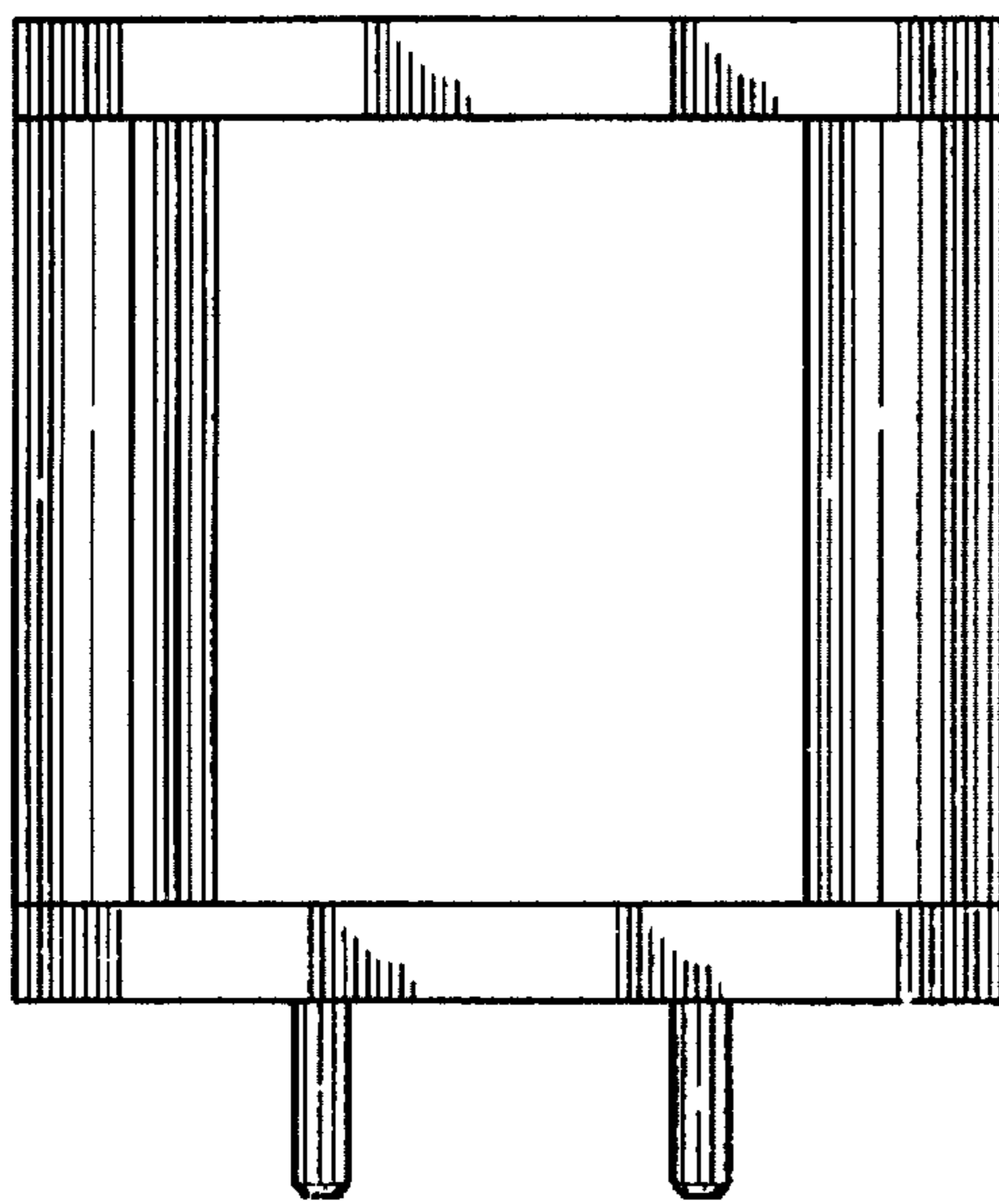
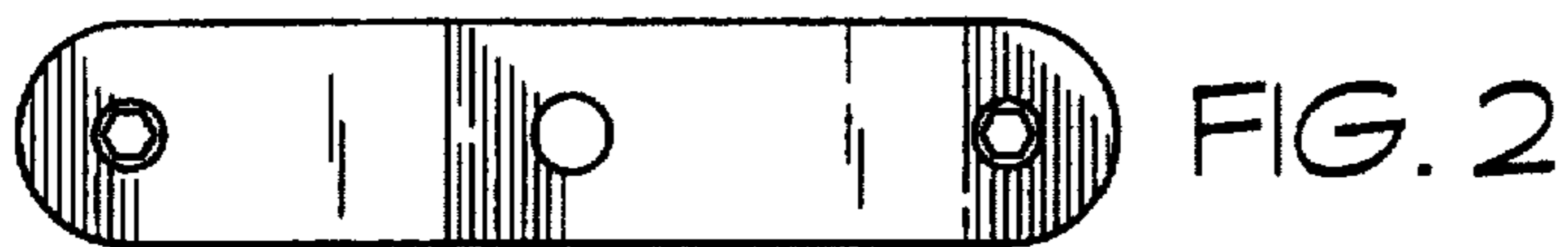
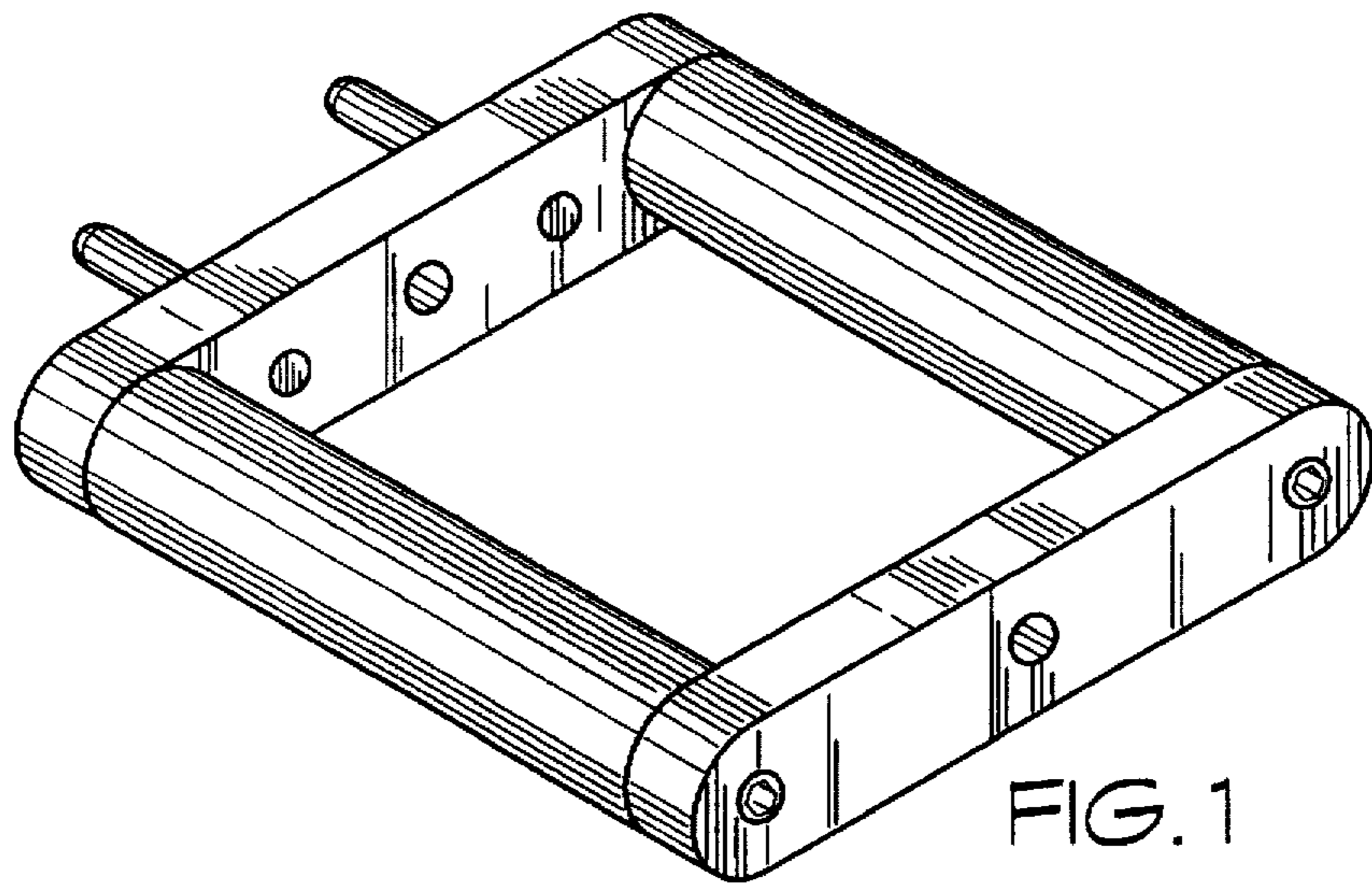


FIG. 3



FIG. 4



FIG. 5