

US00D389548S

United States Patent [19]

[11] Patent Number: **Des. 389,548**

Liu

[45] Date of Patent: ****Jan. 20, 1998**

[54] **GOLF BALL RECEIVER & EJECTOR
DEVICE FOR PUTTING PRACTICE**

3,796,434	3/1974	Moss et al.	473/183
3,810,632	5/1974	Brandell	473/183
4,055,349	10/1977	Hunt et al.	473/183

[76] Inventor: **Chien-Cheng Liu, 72 Chu-Yun Rd.,
Pan-Chiao, Taipei Hsien, Taiwan**

Primary Examiner—Raphael Barkai
Assistant Examiner—Mitchell I. Siegel
Attorney, Agent, or Firm—Beveridge, DeGrandi, Weilacher
& Young, LLP

[**] Term: **14 Years**

[21] Appl. No.: **64,312**

[57] **CLAIM**

[22] Filed: **Dec. 27, 1996**

The ornamental design for a golf ball receiver & ejector device for putting practice, as shown and described.

[51] LOC (6) Cl. **21-02**

[52] U.S. Cl. **D21/234**

[58] Field of Search D21/234; 473/131,
473/182, 183, 190

DESCRIPTION

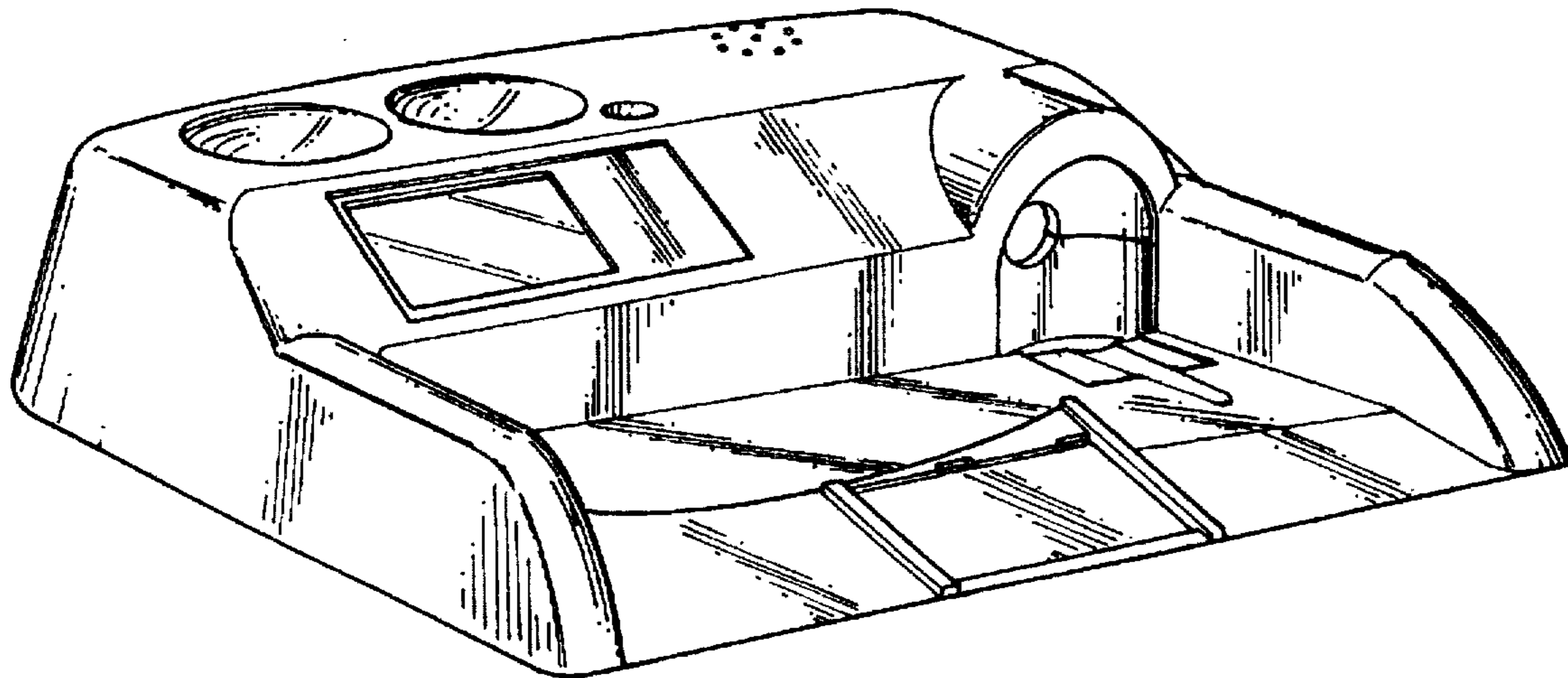
FIG. 1 is a perspective view of a golf ball receiver & ejector device for putting practice showing my new design;
FIG. 2 is a front elevation view thereof;
FIG. 3 is a rear elevation view thereof;
FIG. 4 is a left side elevation view thereof;
FIG. 5 is a right side elevation view thereof;
FIG. 6 is a top plan view thereof; and,
FIG. 7 is a bottom plan view thereof.

[56] **References Cited**

U.S. PATENT DOCUMENTS

D. 182,863	5/1958	Wells	D21/234
D. 200,650	3/1965	Kogan	D21/234
D. 323,357	1/1992	Mulay	D21/234 X
D. 340,964	11/1993	Dunphy	D21/234
3,306,619	2/1967	Brandell	473/183

1 Claim, 3 Drawing Sheets



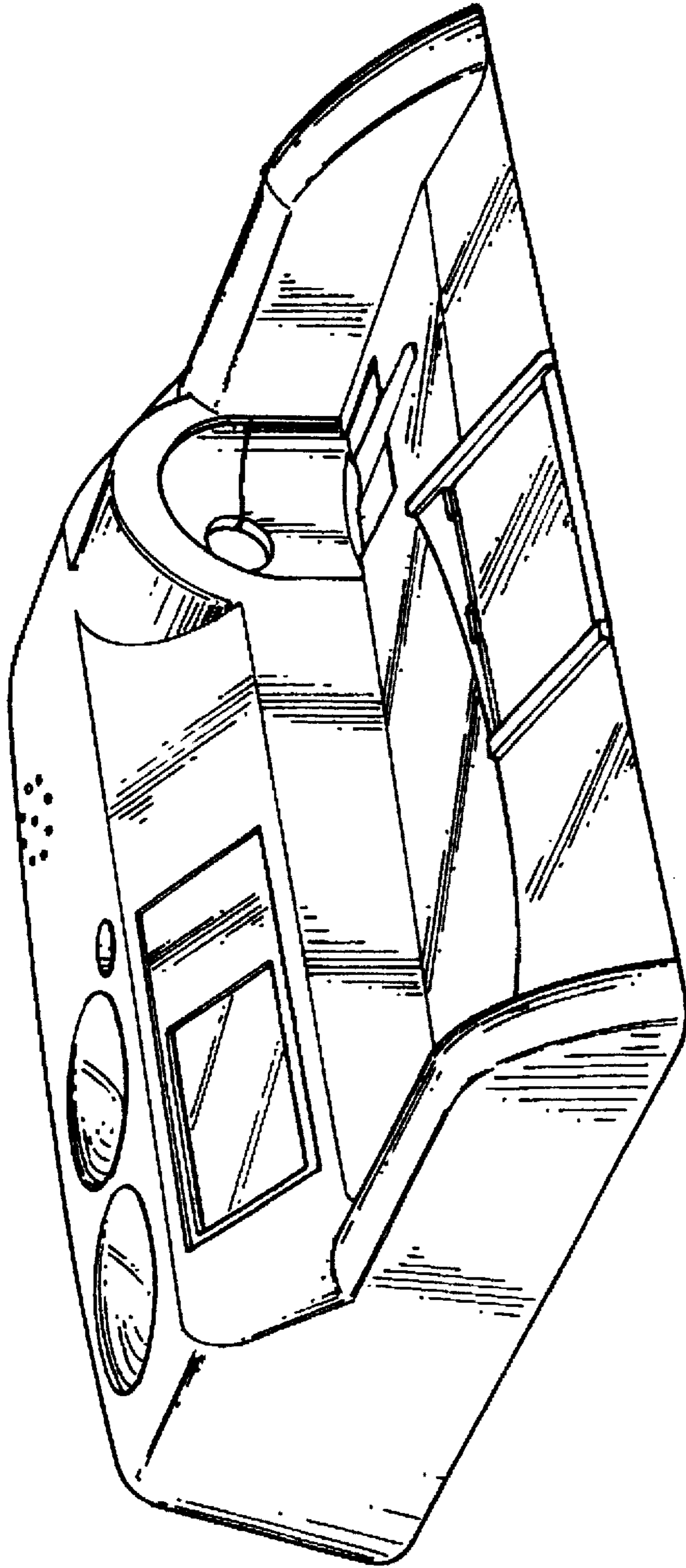


FIG.1

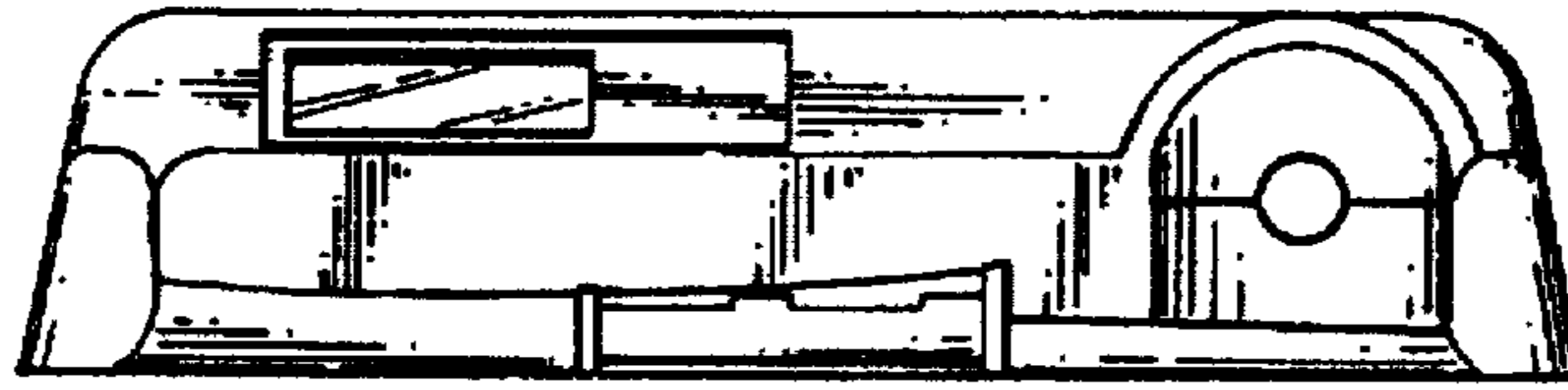


FIG. 2

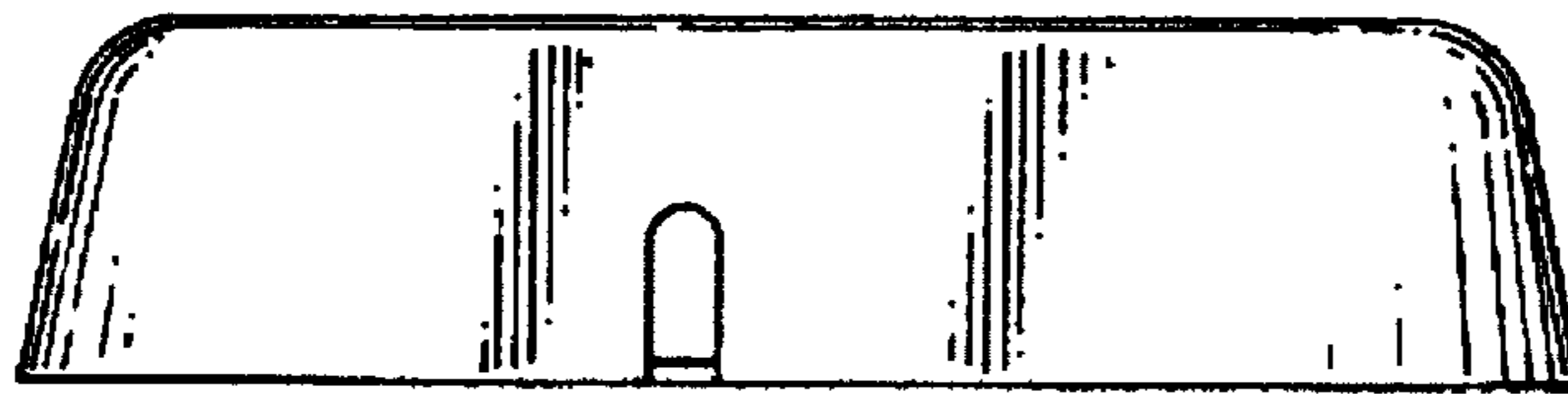


FIG. 3

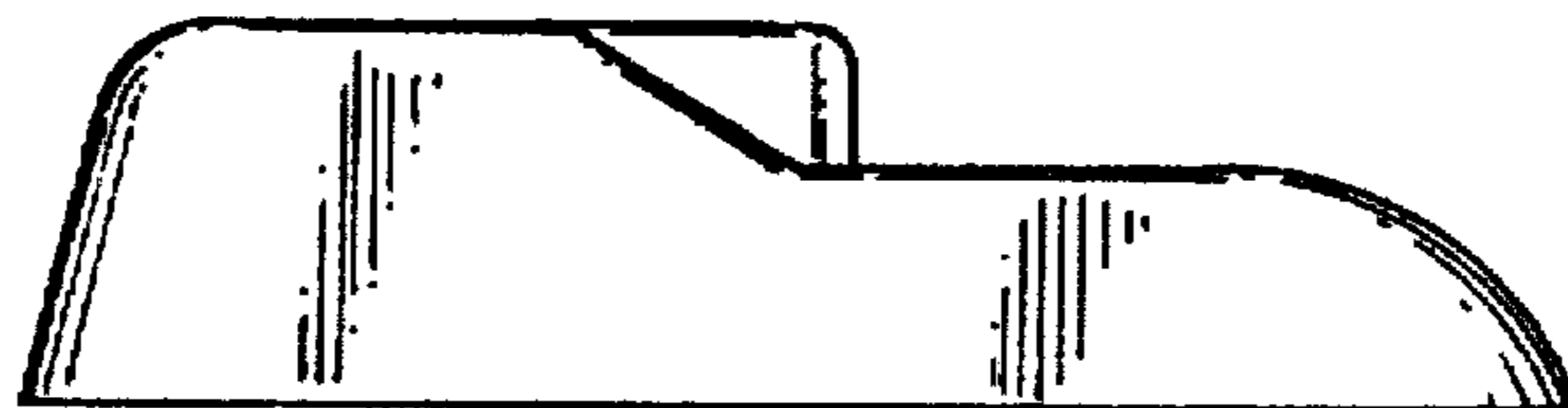


FIG. 4

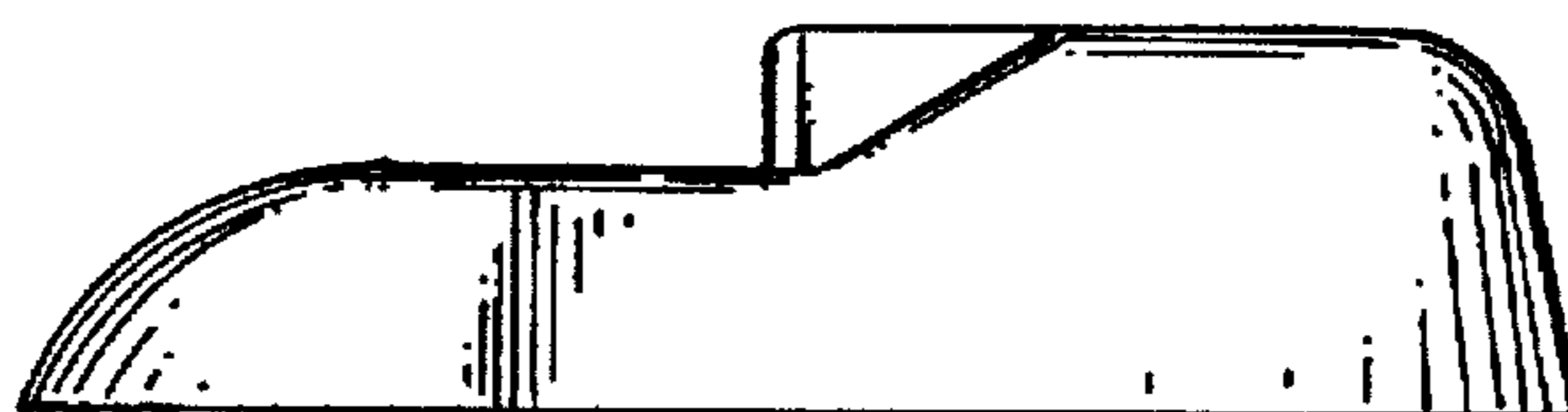


FIG. 5

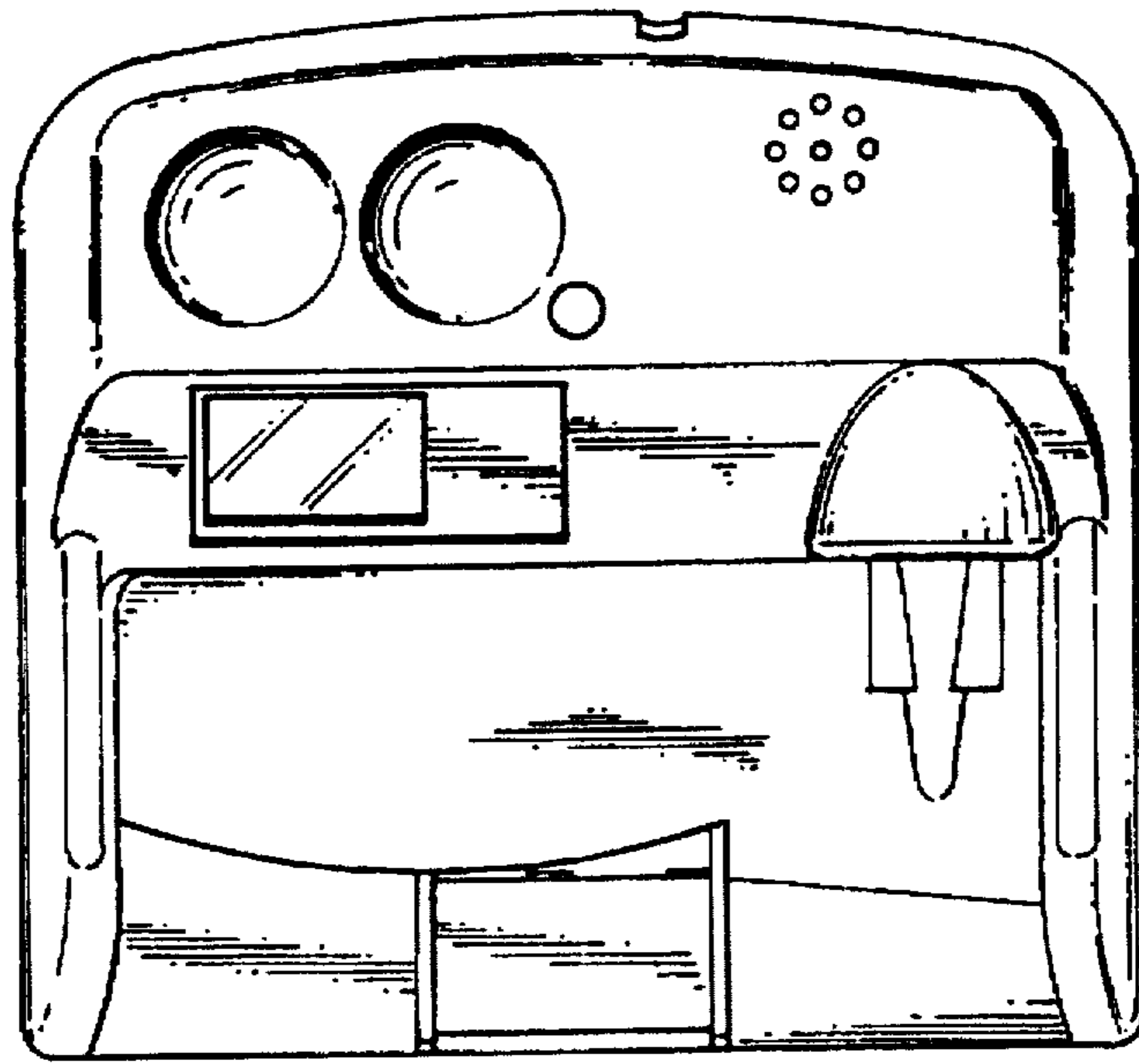


FIG. 6

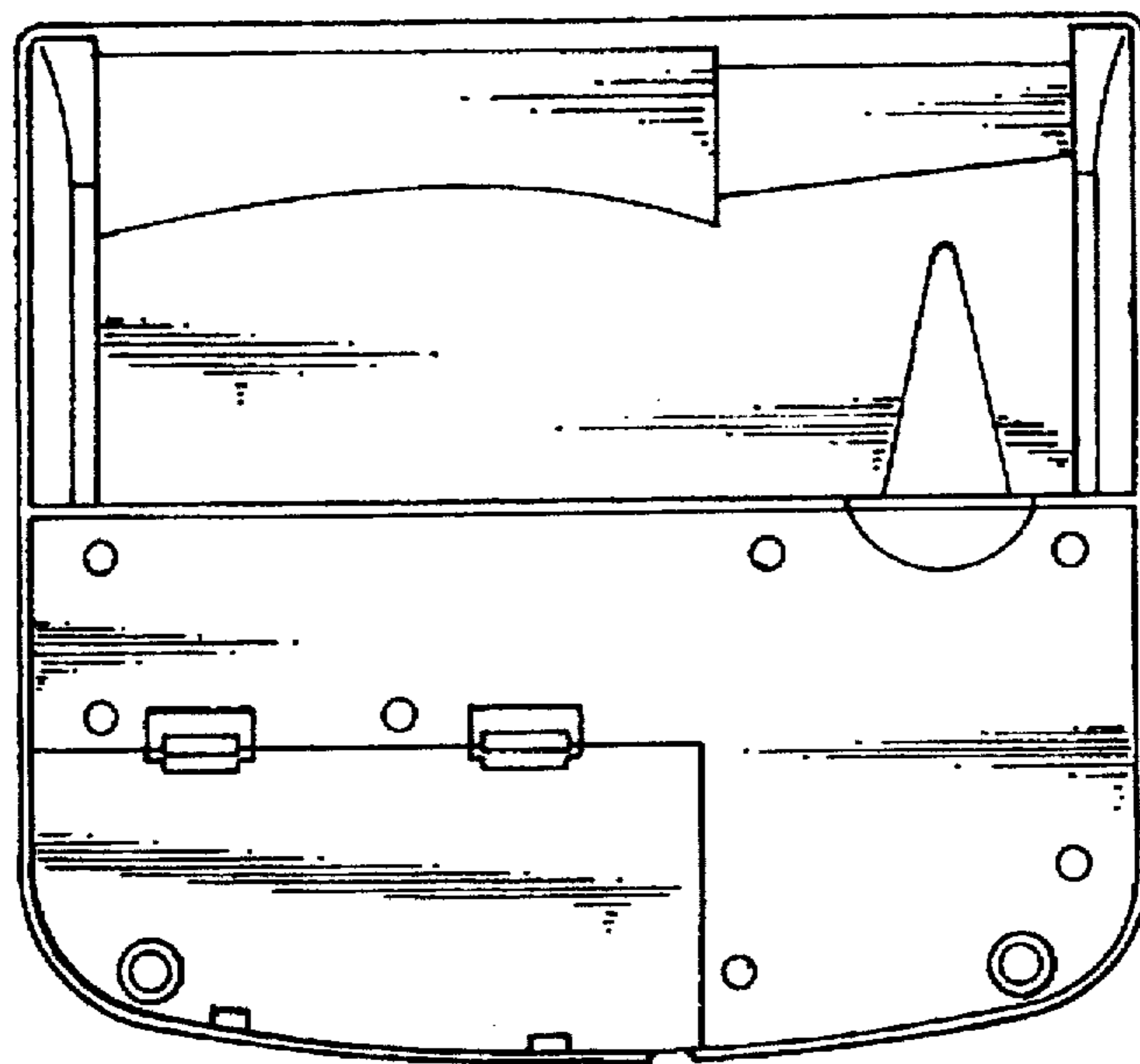


FIG. 7