

US00D389545S

United States Patent [19]

Gertler

[11] Patent Number: Des. 389,545

[45] Date of Patent: **Jan. 20, 1998

[54] ICE SKATING AID

[76] Inventor: **Harvey Gertler**, 79 Reynolds Dr., Lido Beach, N.Y. 11561

[**] Term: 14 Years

[21] Appl. No.: 64,377

[22] Filed: Dec. 30, 1996

[51] LOC (6) Cl. 21-02

[52] U.S. Cl. D21/225

[58] Field of Search D21/71, 224-230; D3/7, 9; D12/130, 133; 280/11.2, 11.22, 11.18, 811, 809, 11.19, 87.021; 482/71; 434/253

[56] **References Cited**

U.S. PATENT DOCUMENTS

- D. 216,523 1/1970 Hasty et al. D12/130
- D. 301,598 6/1989 Harris D21/224
- D. 357,522 4/1995 Gameau D21/225

- 3,176,700 4/1965 Drury, Jr. D3/9
- 3,695,609 10/1972 Rothe 280/87.041
- 4,846,463 7/1989 Kleinnibbelink 482/71

Primary Examiner—Raphael Barkai
Attorney, Agent, or Firm—Myron Amer P.C.

[57] **CLAIM**

The ornamental design for an ice skating aid, as shown and described.

DESCRIPTION

FIG. 1 is a perspective view of an ice skating aid showing my new design;
FIG. 2 is a right side elevational view thereof;
FIG. 3 is a left side elevational view thereof;
FIG. 4 is a front elevational view thereof;
FIG. 5 is a rear elevational view thereof;
FIG. 6 is a plan view thereof; and,
FIG. 7 is a bottom view thereof.

1 Claim, 4 Drawing Sheets

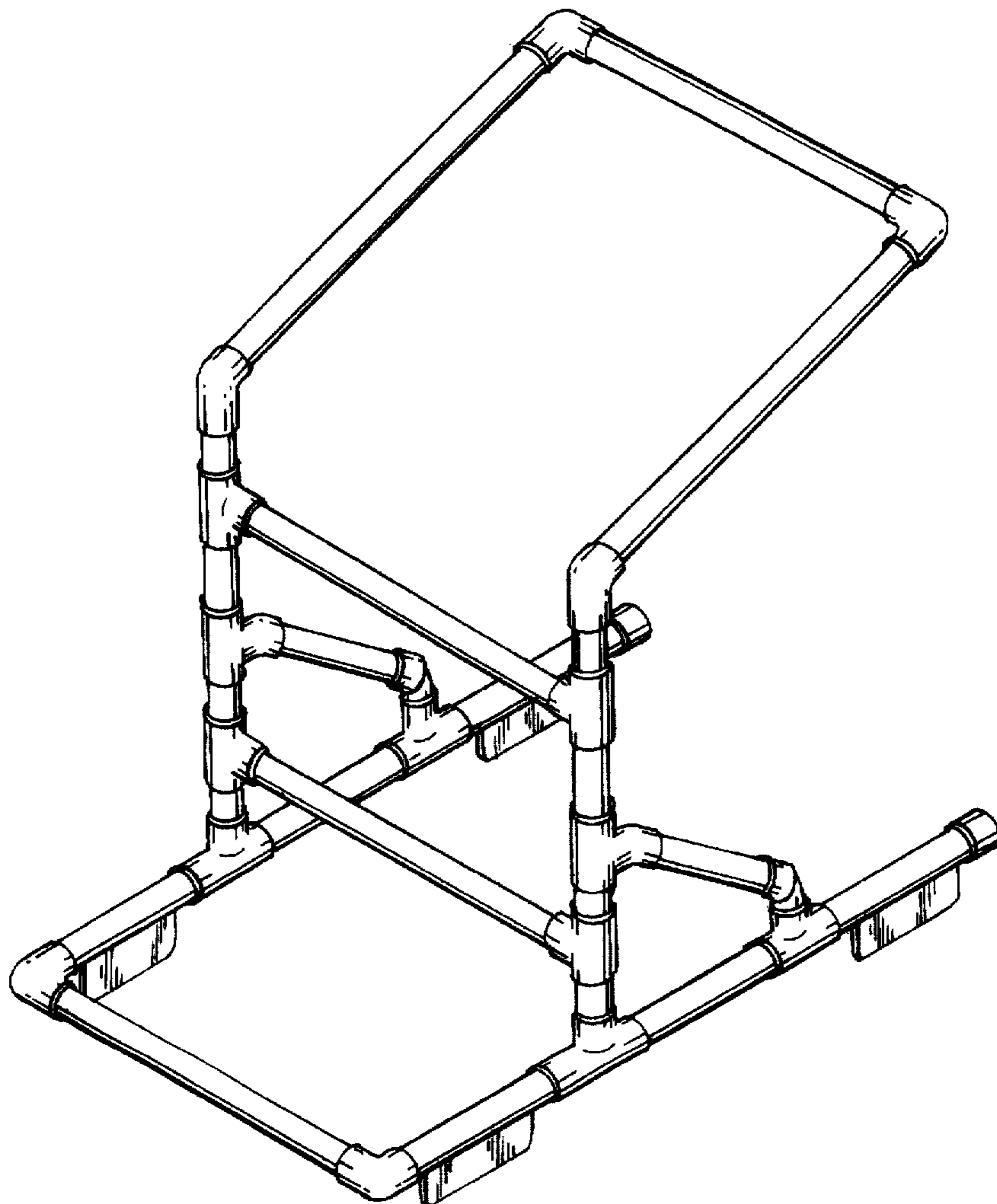


FIG. 1

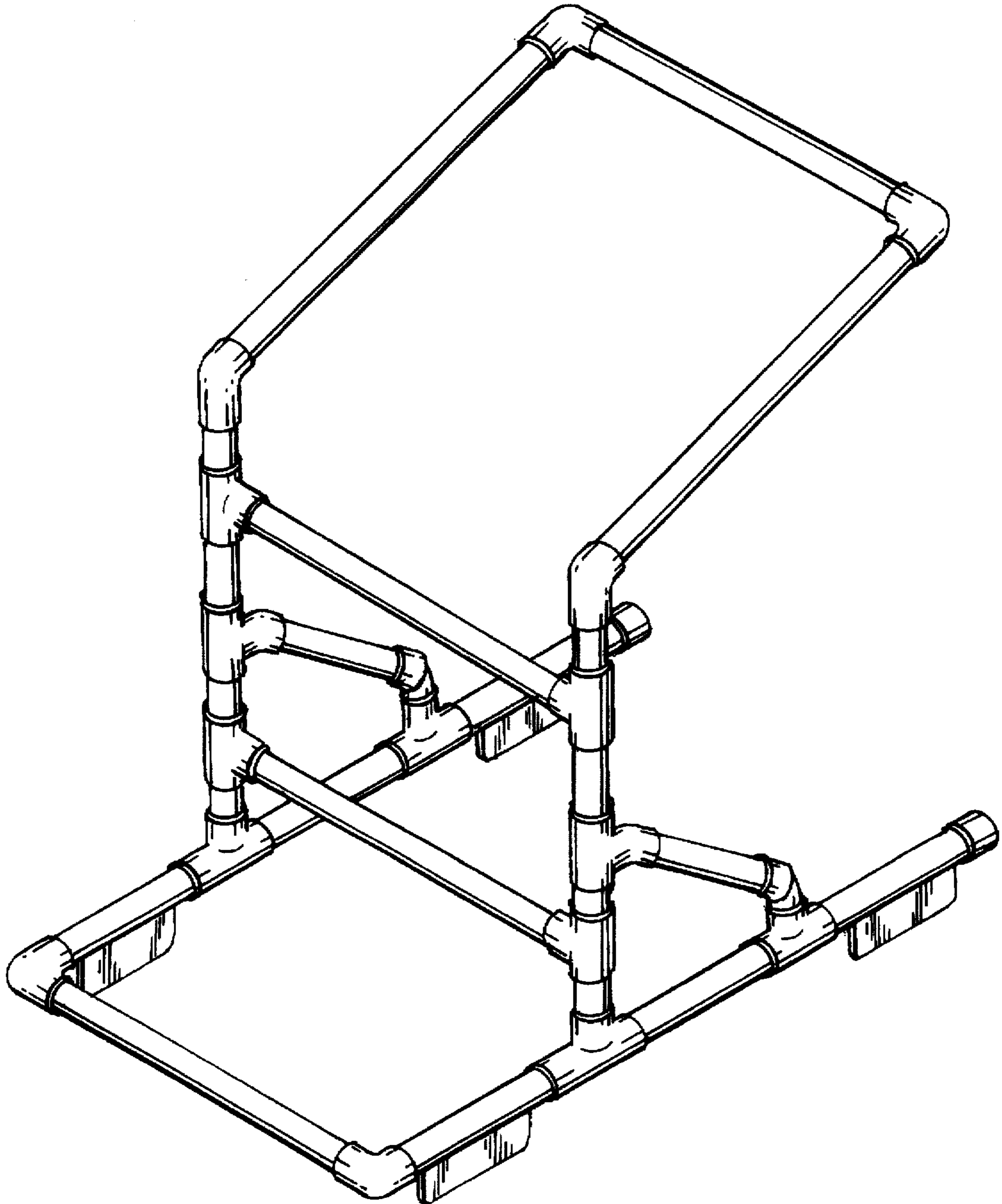


FIG. 3

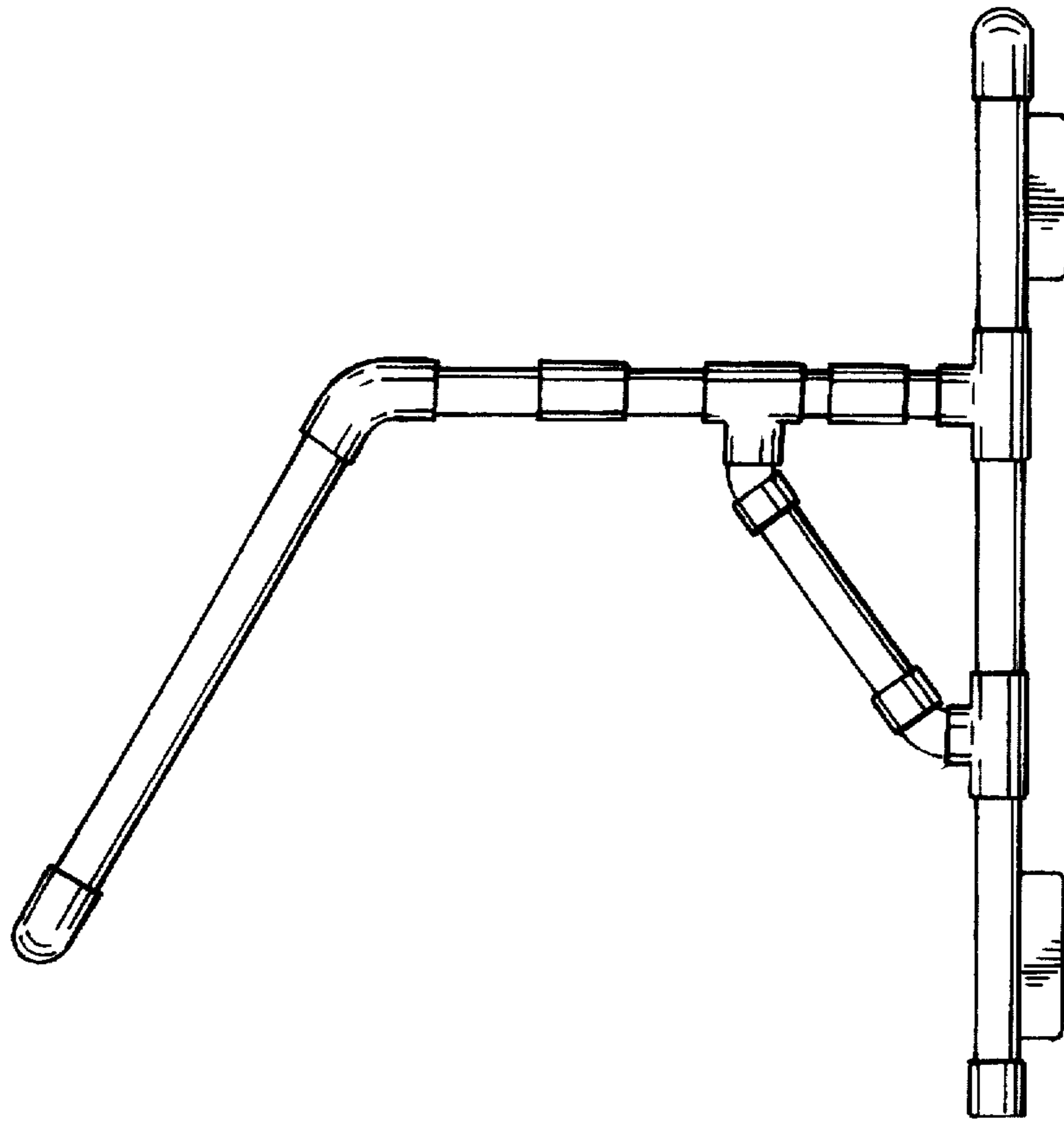


FIG. 2

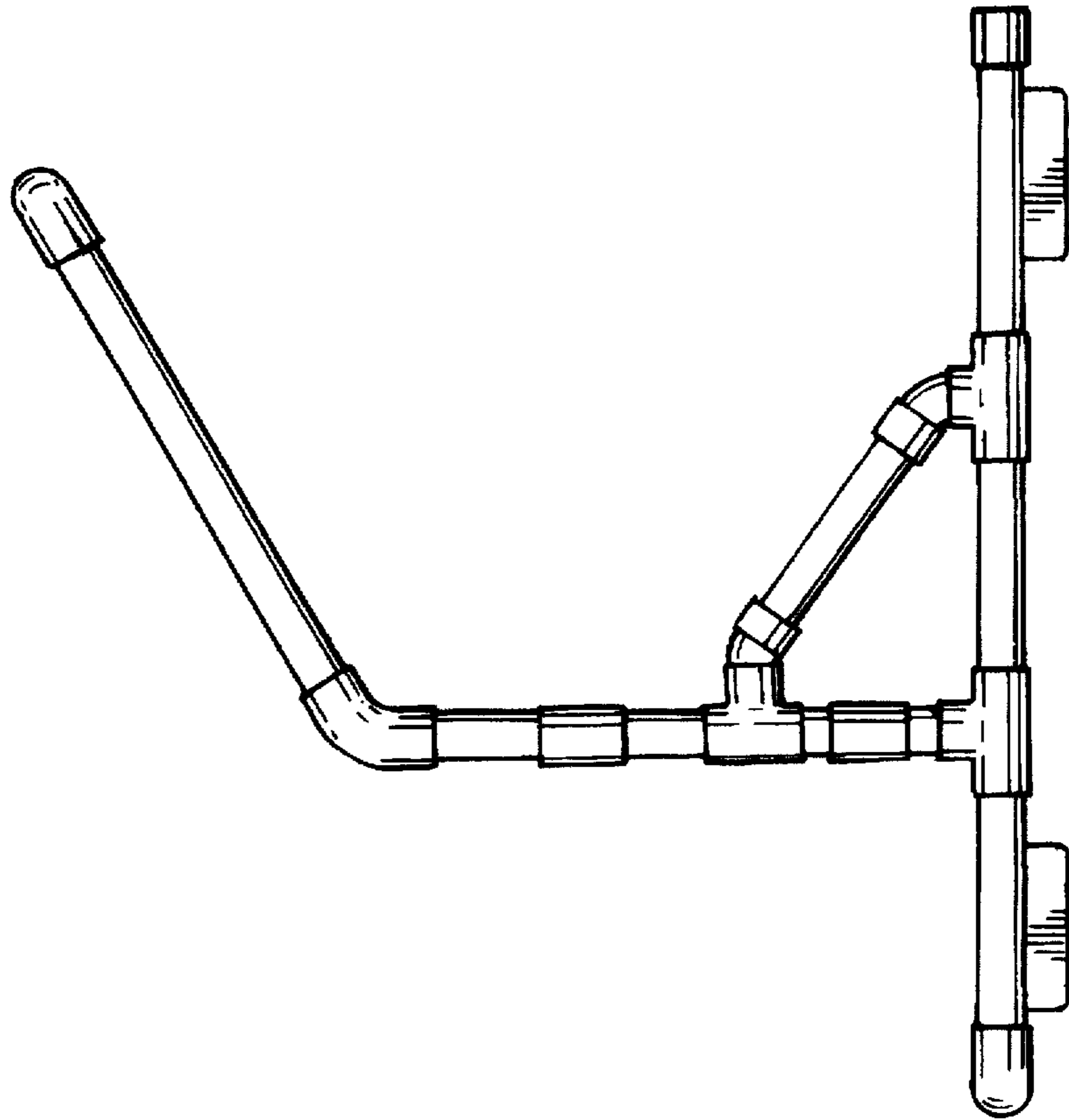


FIG. 5

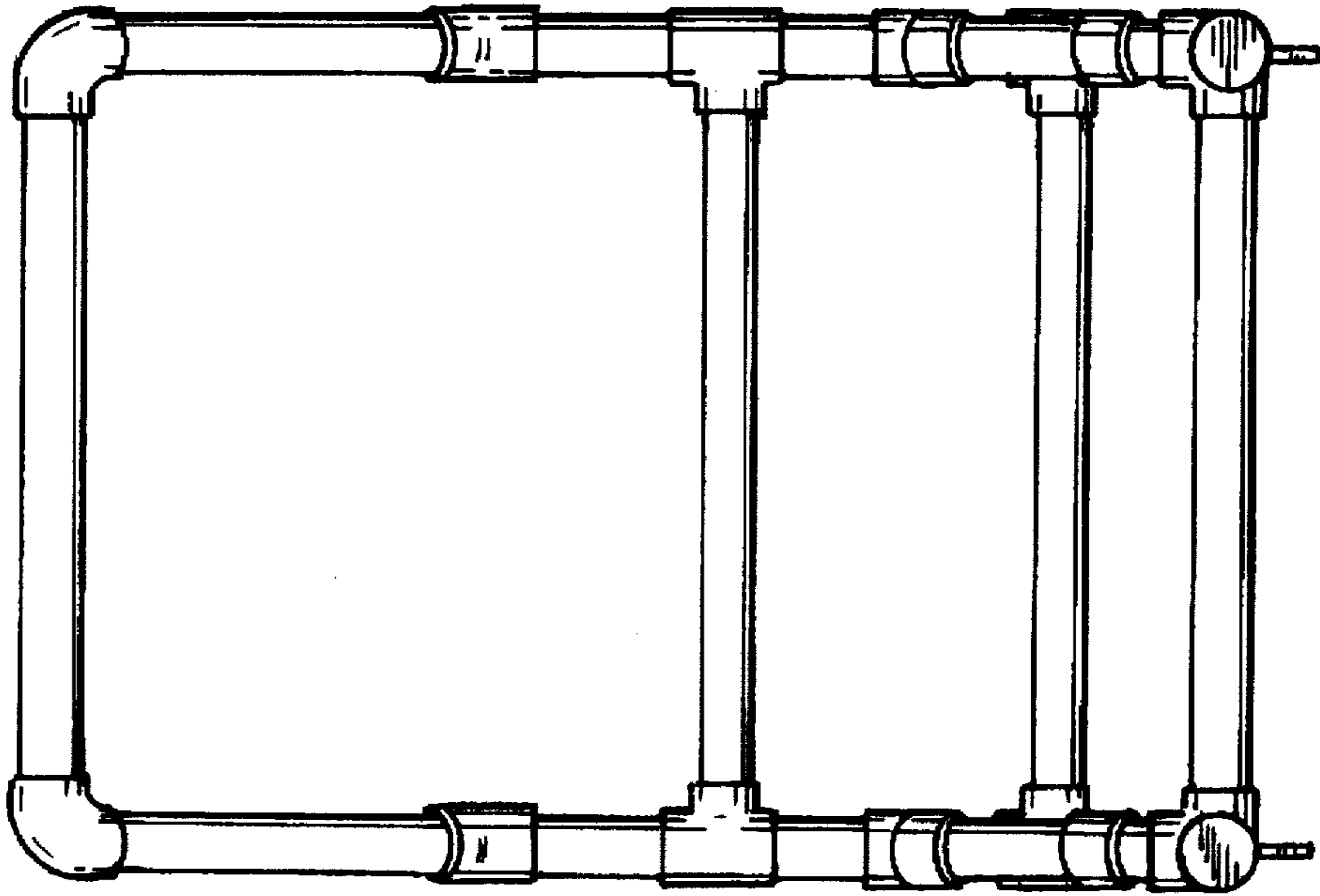


FIG. 4

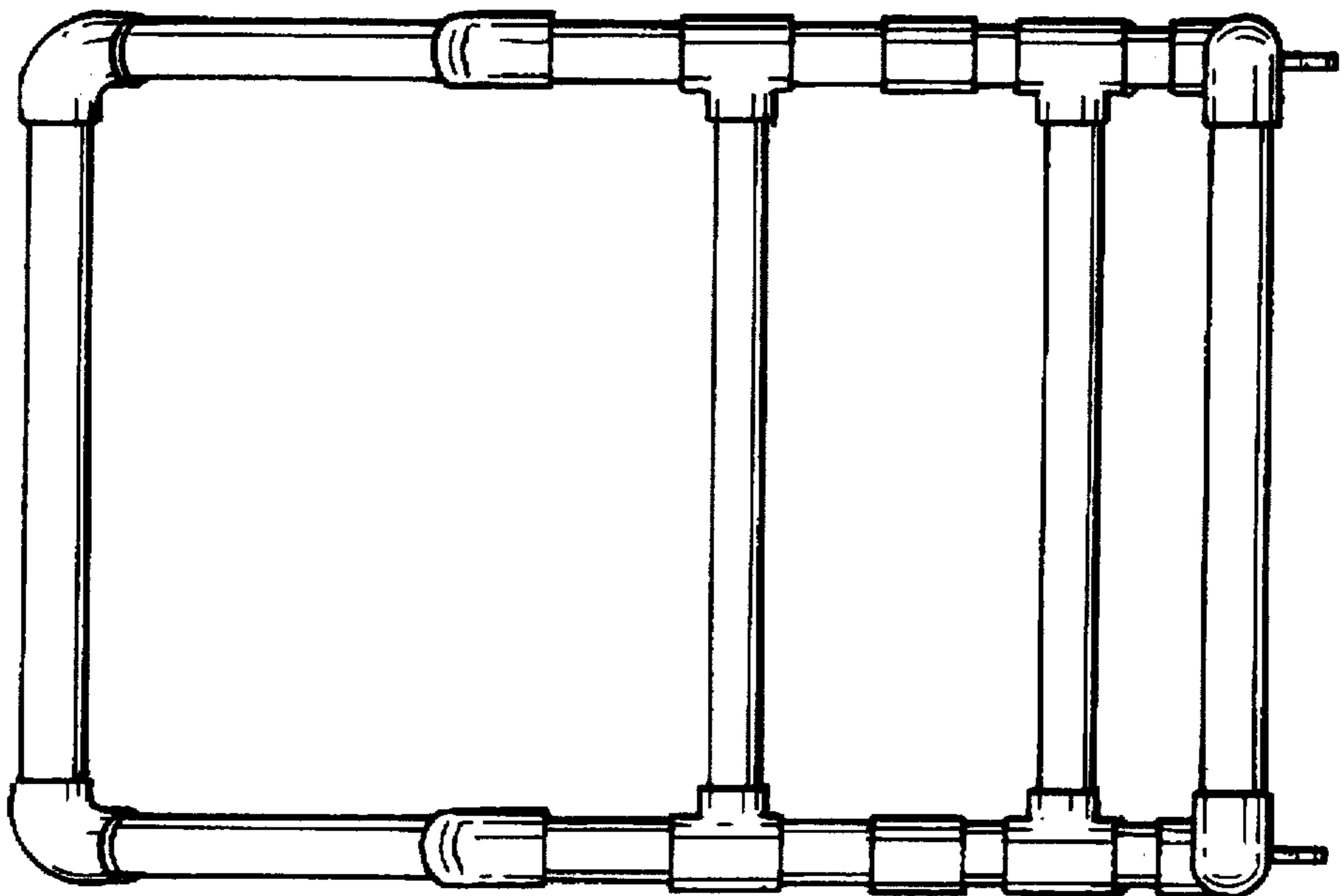


FIG. 7

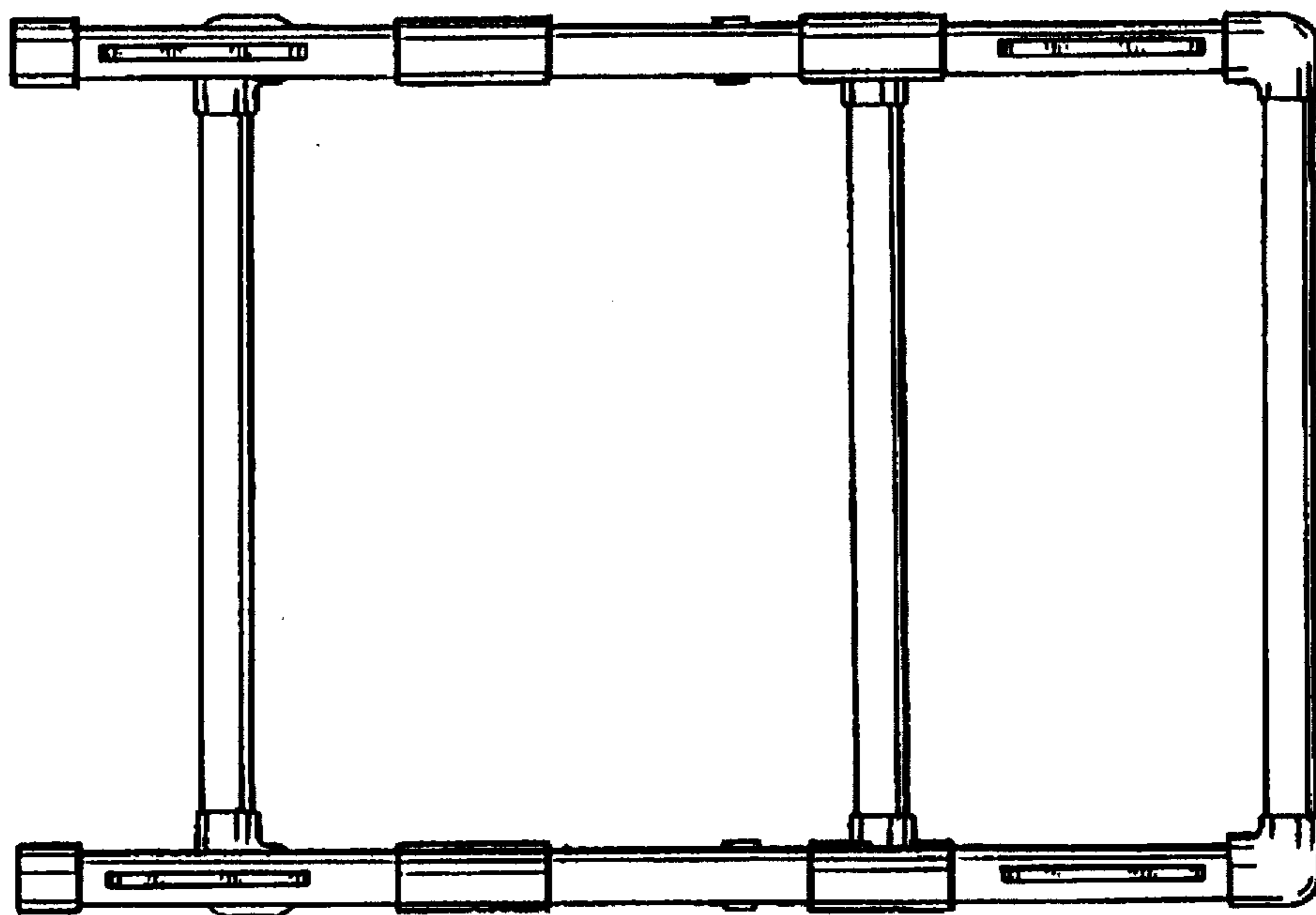


FIG. 6

