



US00D389543S

United States Patent [19]
Morning

[11] **Patent Number: Des. 389,543**

[45] **Date of Patent: **Jan. 20, 1998**

[54] **SKATING AID**

3,695,609 10/1972 Rothe 280/87.041
4,700,730 10/1987 Samuelson et al. 280/87.021
4,846,463 7/1989 Kleinnibbelink 482/71

[76] **Inventor: Brent Morning, R.R. #1, Kettleby,
Ontario, Canada, L0G 1J0**

[**] **Term: 14 Years**

Primary Examiner—Raphael Barkai
Attorney, Agent, or Firm—Ridout & Maybee

[21] **Appl. No.: 57,852**

[57] **CLAIM**

[22] **Filed: Aug. 1, 1996**

The ornamental design for the skating aid, as shown.

[51] **LOC (6) Cl. 21-02**

DESCRIPTION

[52] **U.S. Cl. D21/224; D21/225; D21/226**

FIG. 1 is a top perspective view of the skating aid showing my new design;

[58] **Field of Search** D21/71, 224-230;
D3/7, 9; D12/130, 133; 280/11.2, 11.22,
11.18, 811, 809, 11.19, 87.021; 482/71;
434/253

FIG. 2 is a bottom perspective view thereof;

FIG. 3 is a side elevational view thereof;

FIG. 4 is a rear elevational view thereof;

FIG. 5 is a top plan view thereof;

FIG. 6 is a top perspective view of a variant of the skating aid showing my new design;

FIG. 7 is a bottom perspective view thereof;

FIG. 8 is a side elevational view thereof;

FIG. 9 is a rear elevational view thereof; and,

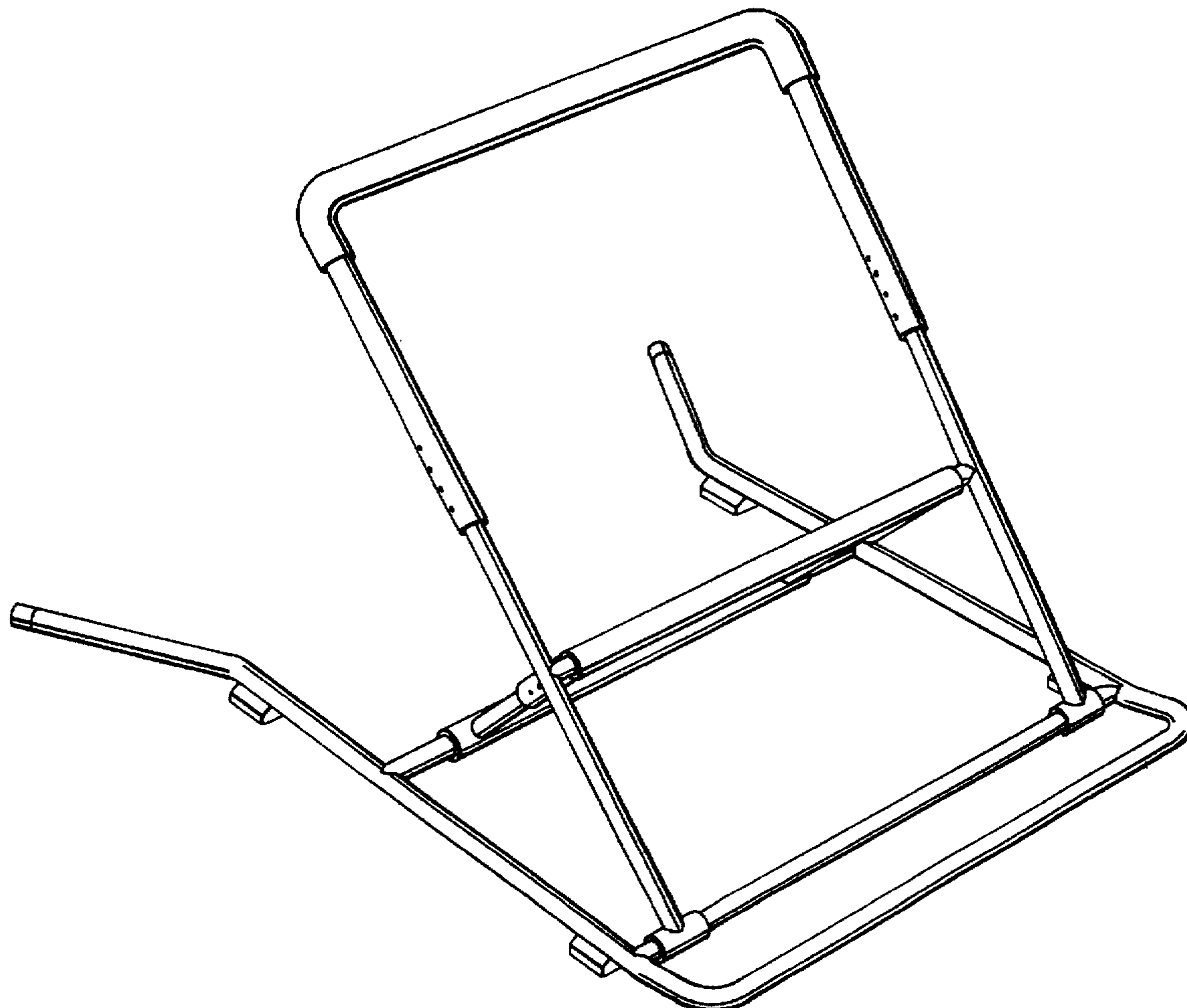
FIG. 10 is a top plan view thereof.

[56] **References Cited**

U.S. PATENT DOCUMENTS

D. 216,523 1/1970 Hasty et al. D12/130
D. 301,598 6/1989 Harris D21/224
D. 357,522 4/1995 Gameau D21/225
3,176,700 4/1965 Drury, Jr. D3/9
3,438,642 4/1969 Kite et al. D21/71

1 Claim, 10 Drawing Sheets



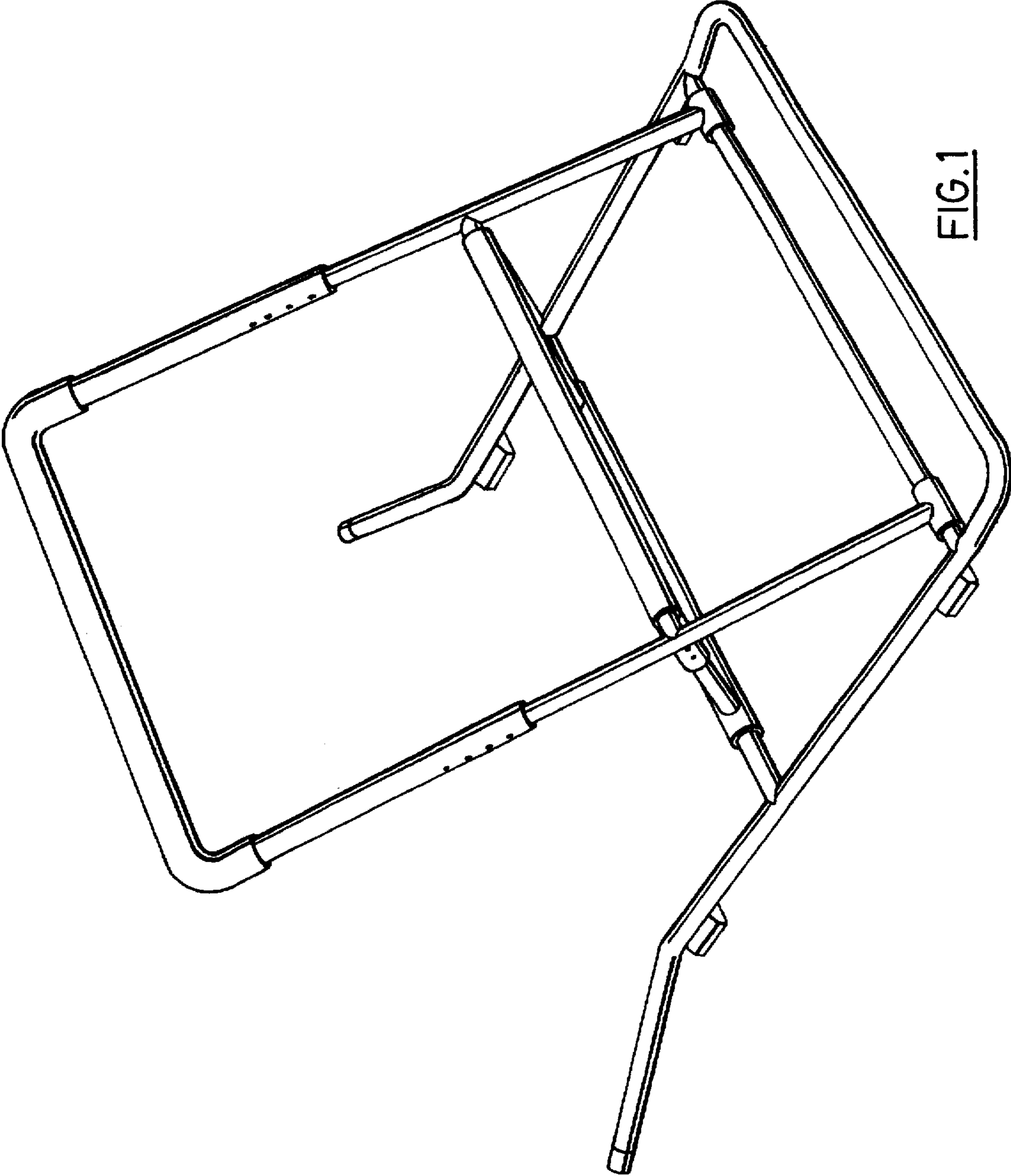


FIG. 1

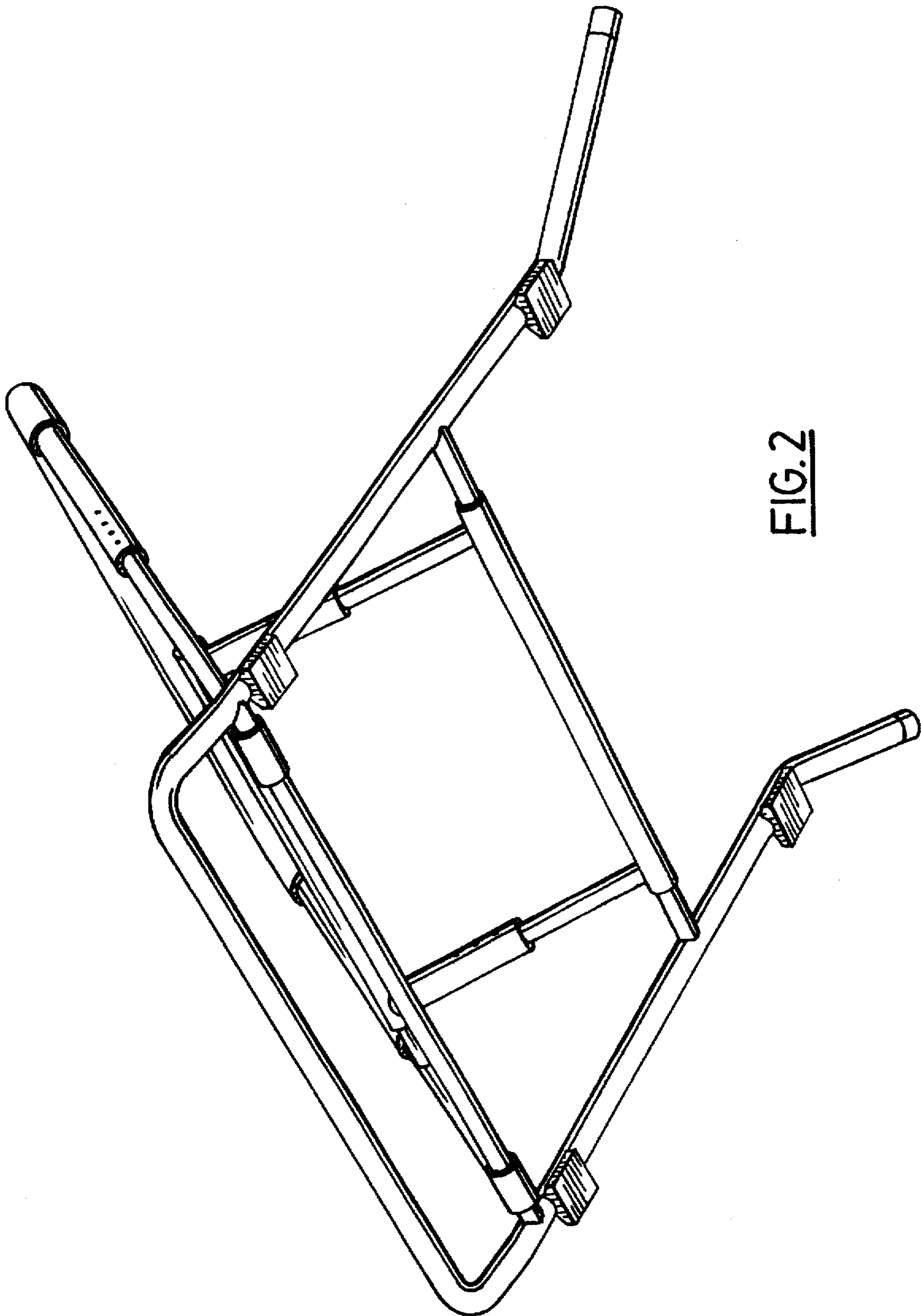


FIG. 2

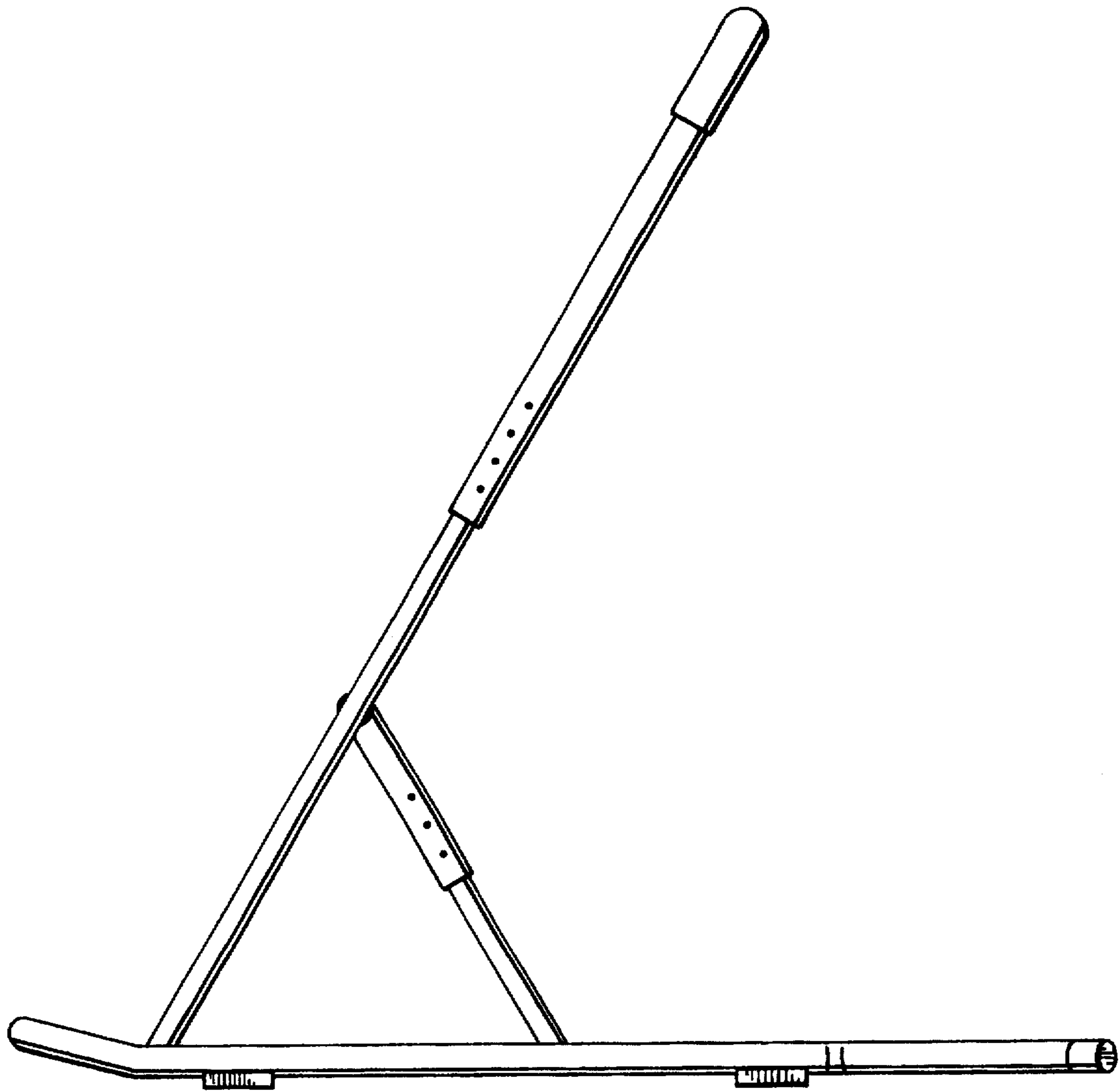


FIG. 3

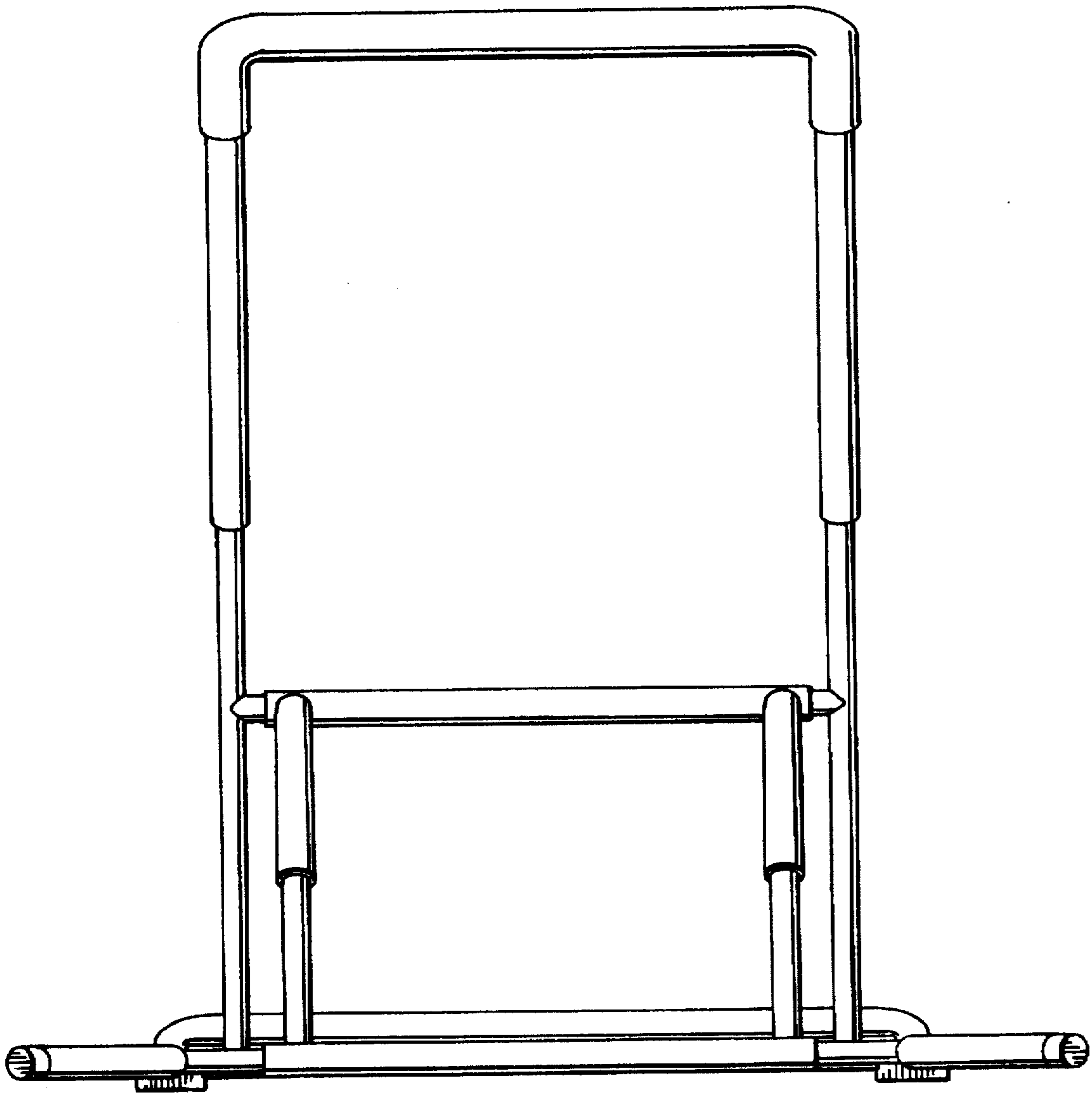


FIG.4

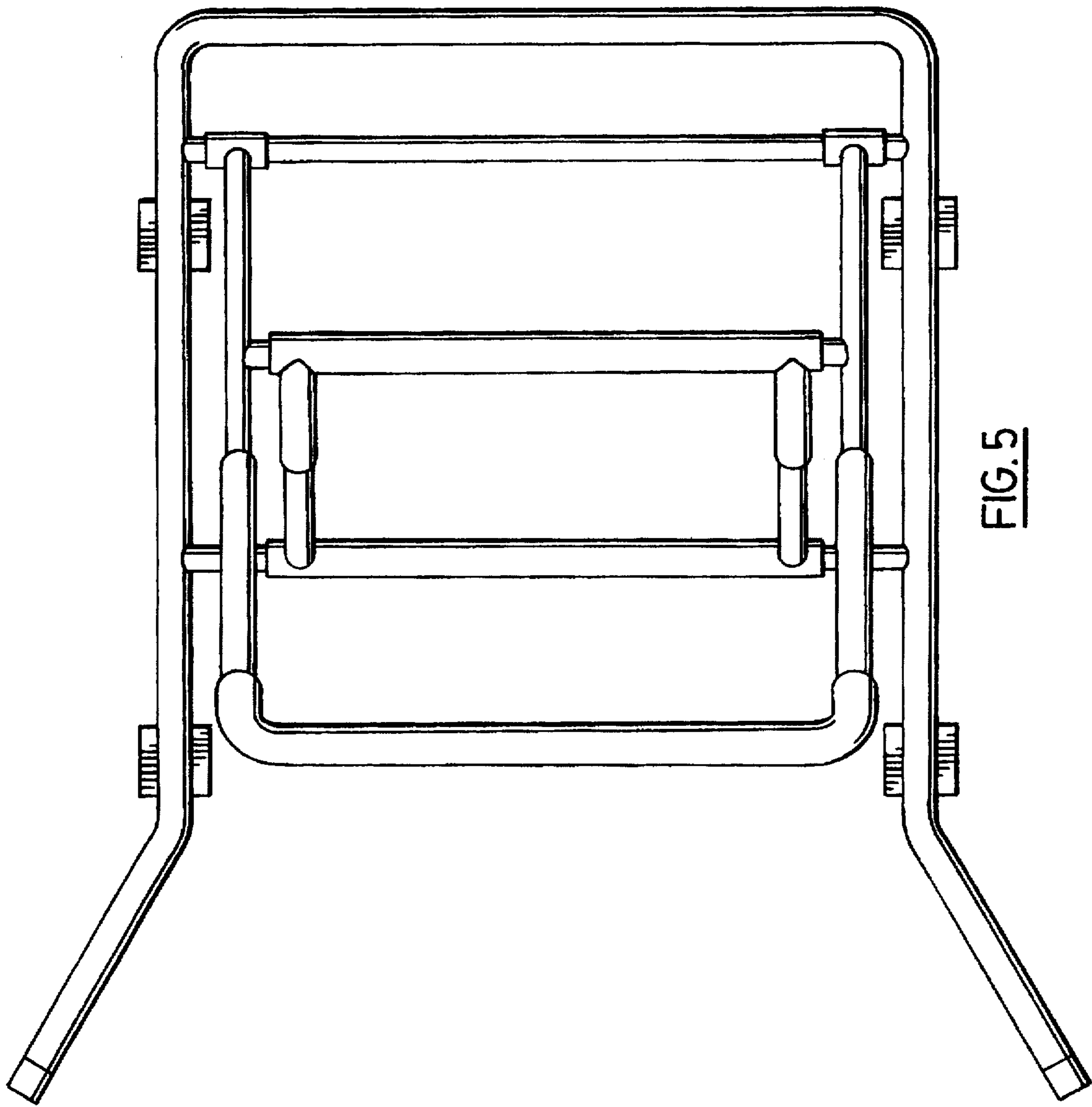


FIG. 5

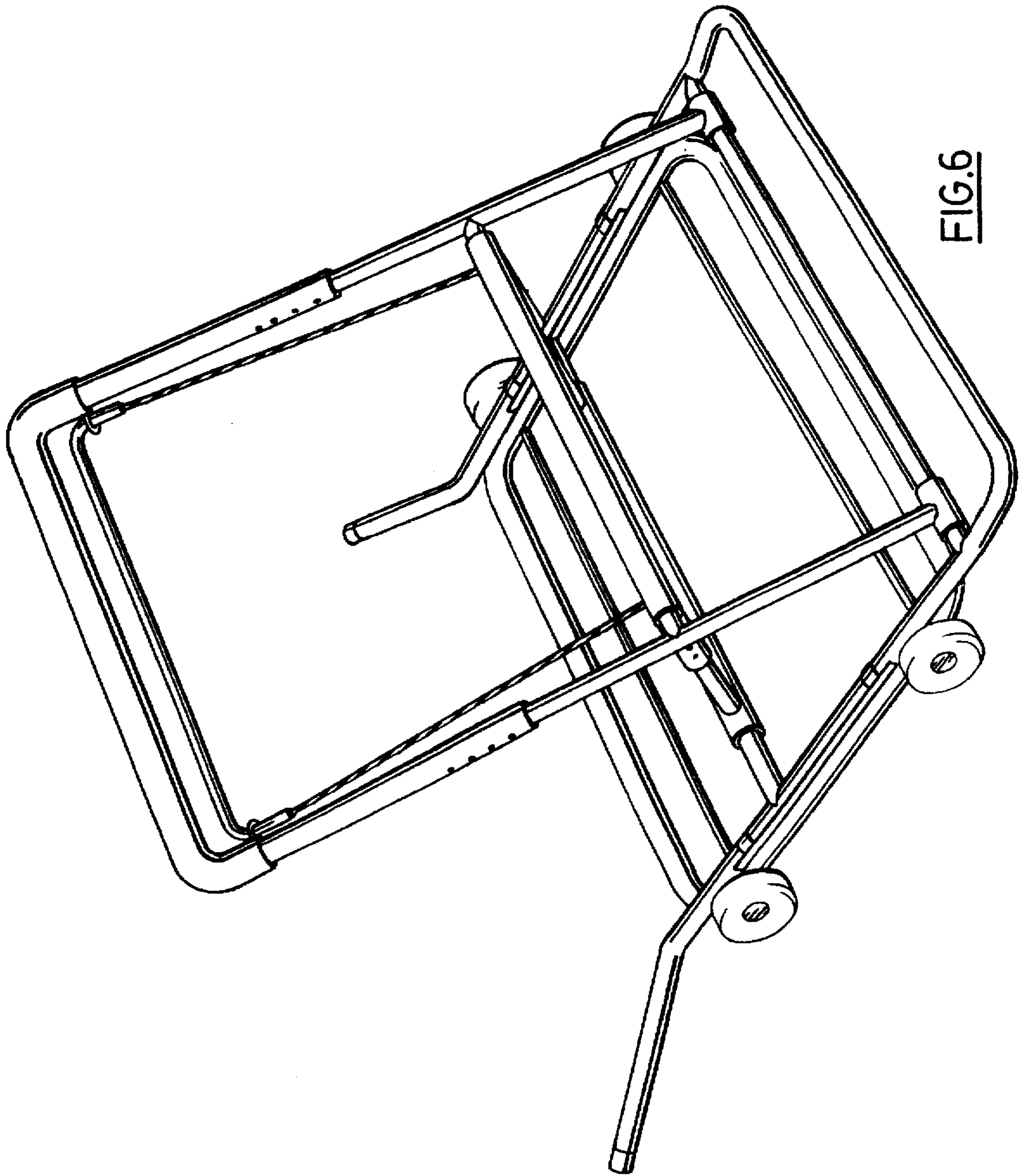


FIG.6

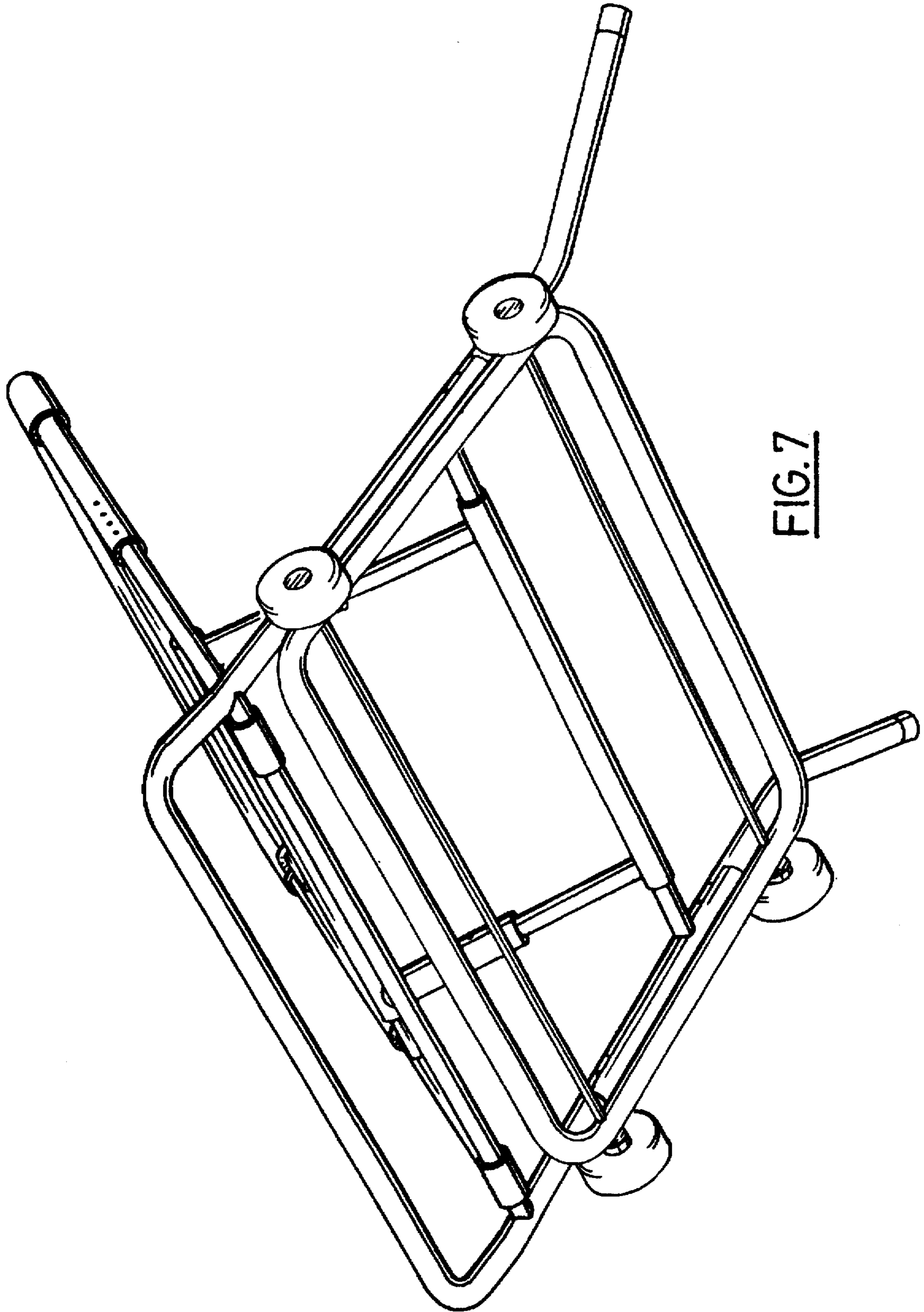


FIG. 7

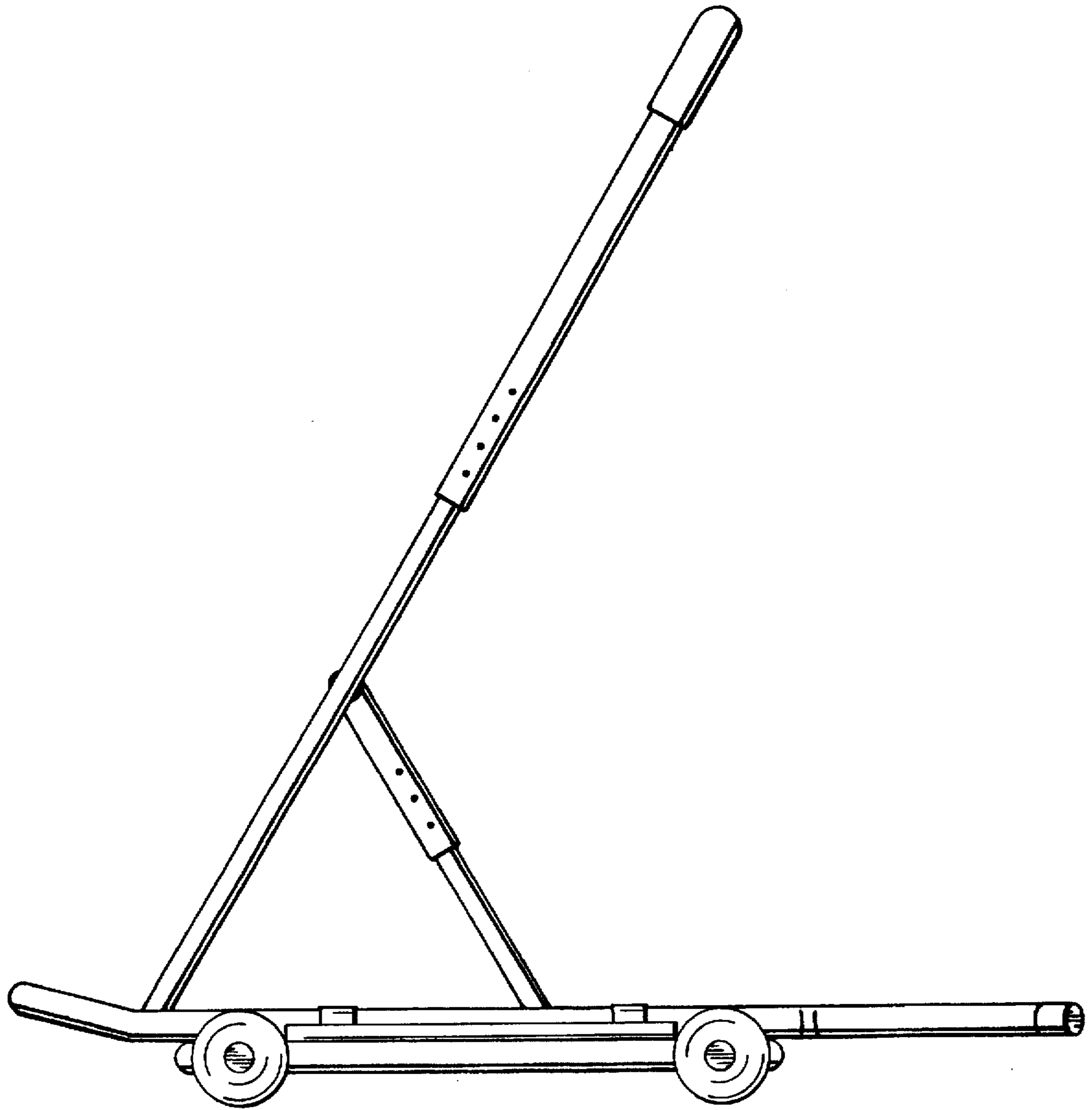


FIG. 8

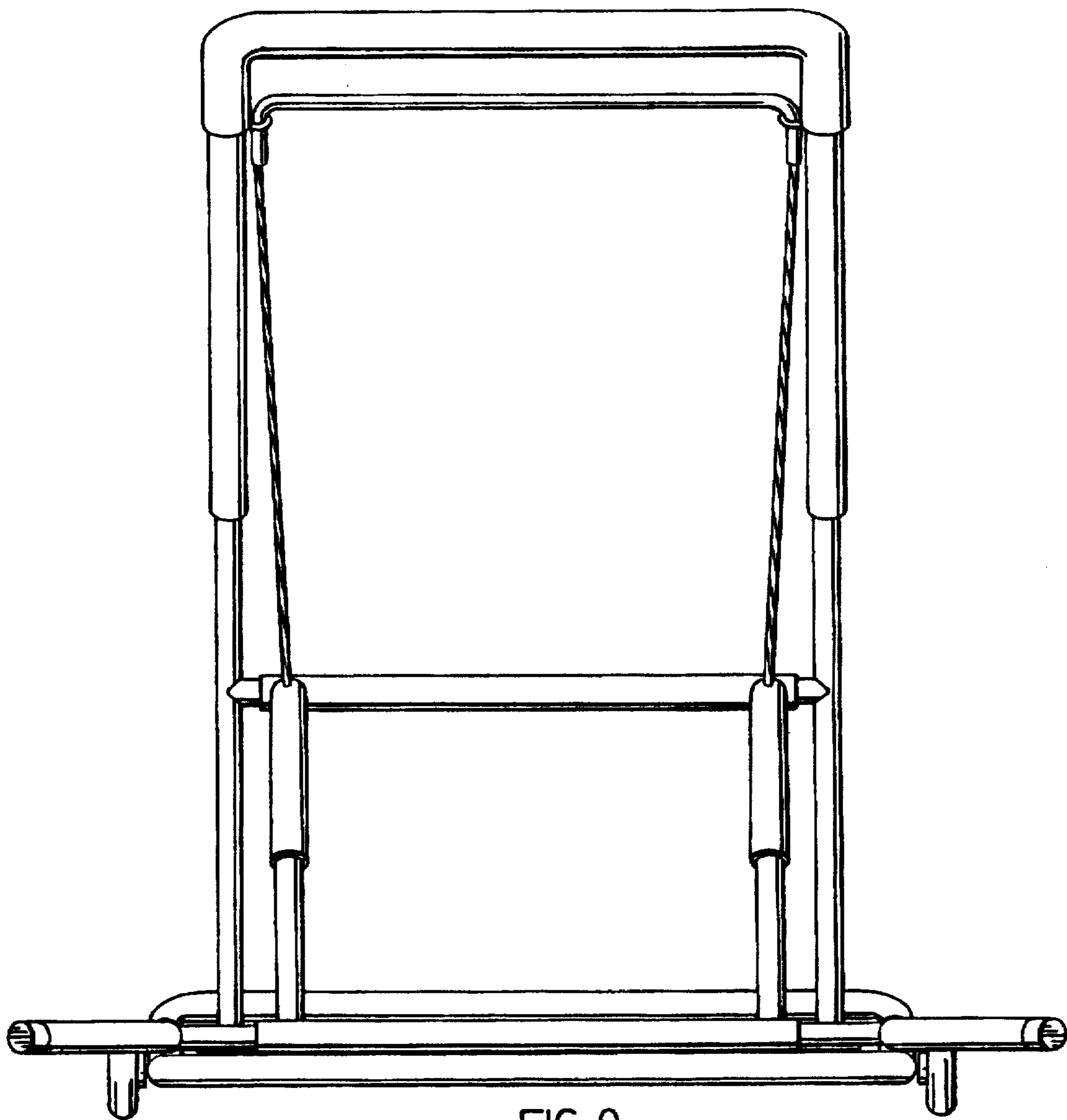


FIG. 9

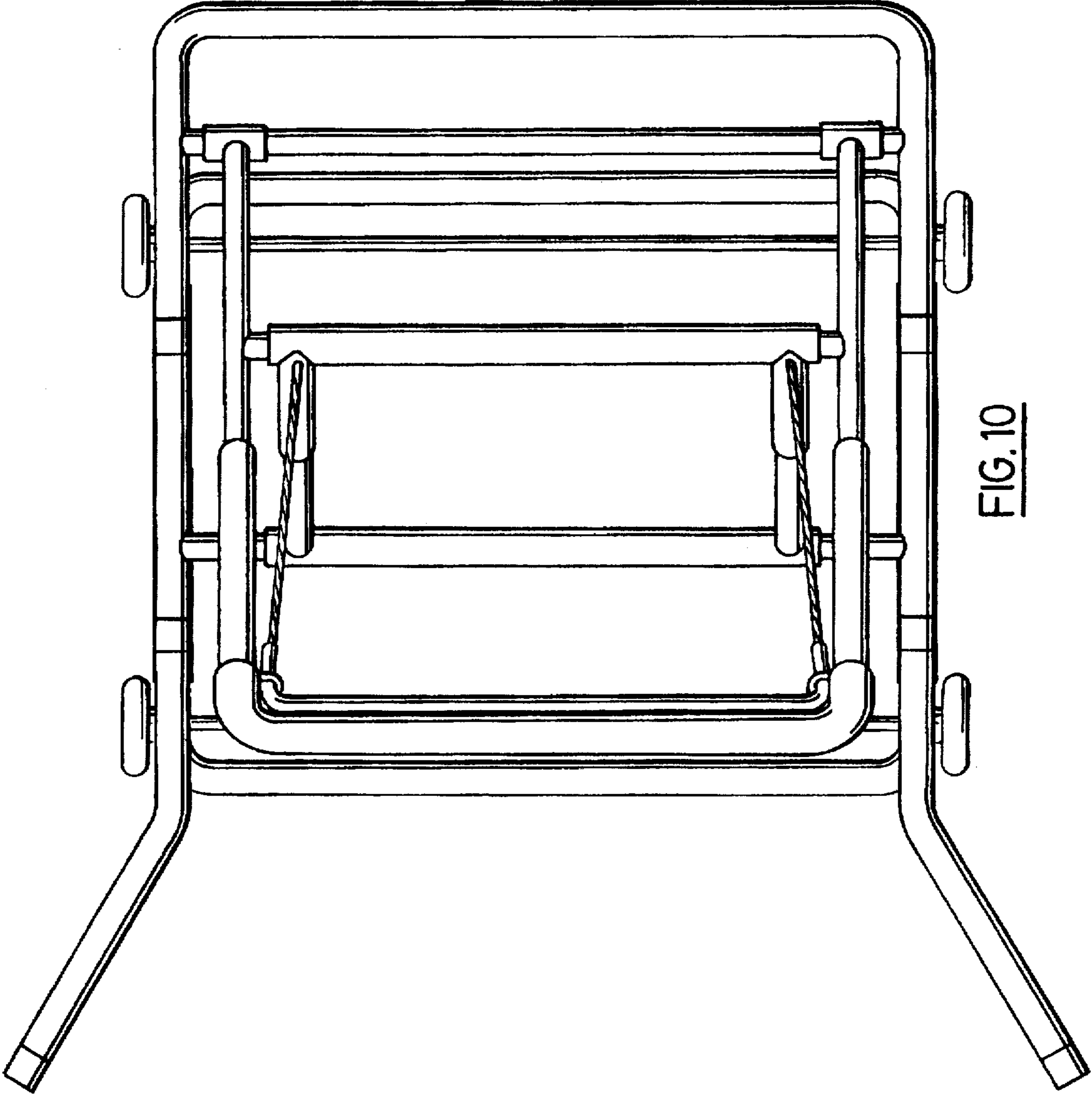


FIG. 10