



US00D389538S

United States Patent [19]
Riis

[11] **Patent Number: Des. 389,538**
[45] **Date of Patent: **Jan. 20, 1998**

[54] **HELMET FOR A TOY FIGURE**
[75] **Inventor: Geir Karsten Riis, Vonge, Denmark**
[73] **Assignee: Interlego AG, Baar, Switzerland**
[**] **Term: 14 Years**
[21] **Appl. No.: 59,833**
[22] **Filed: Sep. 17, 1996**
[51] **LOC (6) Cl. 21-01**
[52] **U.S. Cl. D21/190**
[58] **Field of Search D2/865, 868, 869;**
D21/177, 178, 180, 189, 190; D29/100,
102; 2/202, 205, 206, 906, 909

Toy Biz, p. 50, item no. 49420, 1995.
Toy Biz, p. 61, Mighty Morphin Power Rangers, 1995.

Primary Examiner—Sandra L. Morris
Assistant Examiner—Nanda Bondade
Attorney, Agent, or Firm—
Kane, Dalsimer, Sullivan, Kurucz, Levy, Eisele and Richard,
LLP

[57] **CLAIM**

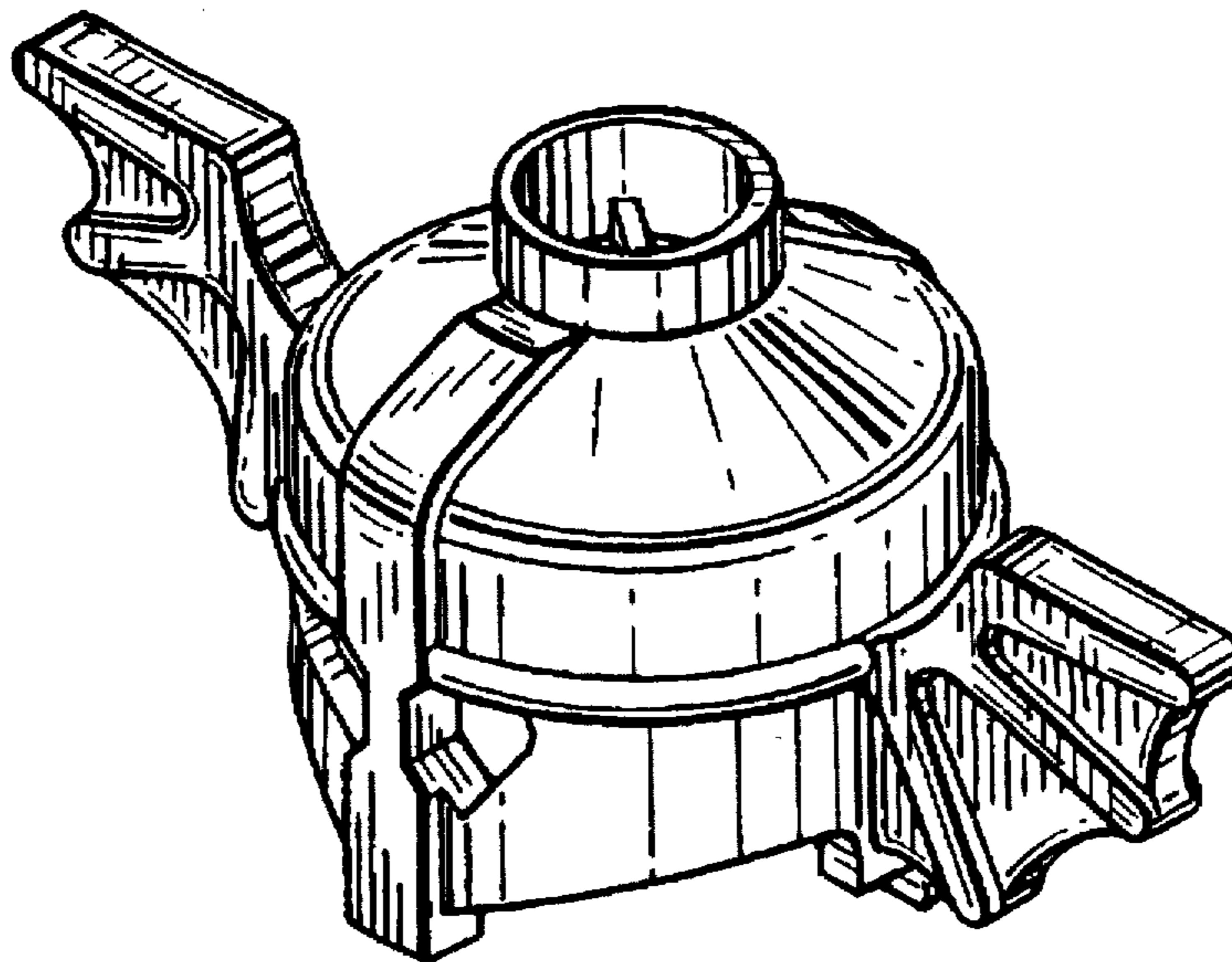
The ornamental design for a helmet for a toy figure, as shown and described.

DESCRIPTION

FIG. 1 is a top perspective view of the helmet for a toy figure;
FIG. 2 is a bottom perspective view thereof;
FIG. 3 is a front elevational view thereof;
FIG. 4 is a left side elevational view thereof;
FIG. 5 is a right side elevational view thereof;
FIG. 6 is a rear elevational view thereof;
FIG. 7 is a bottom plan view thereof; and,
FIG. 8 is a top plan view thereof.

[56] **References Cited**
U.S. PATENT DOCUMENTS
D. 167,790 9/1952 Adams 2/205 X
4,170,840 10/1979 Ogawa 446/97 X
OTHER PUBLICATIONS
Hong Kong Toys, p. 140, Star Wars clock and 13-inch iron-man, 1982.
American Bicyclist and Motorcyclist, p. 47, Monarch, Mar. 1985.

1 Claim, 3 Drawing Sheets



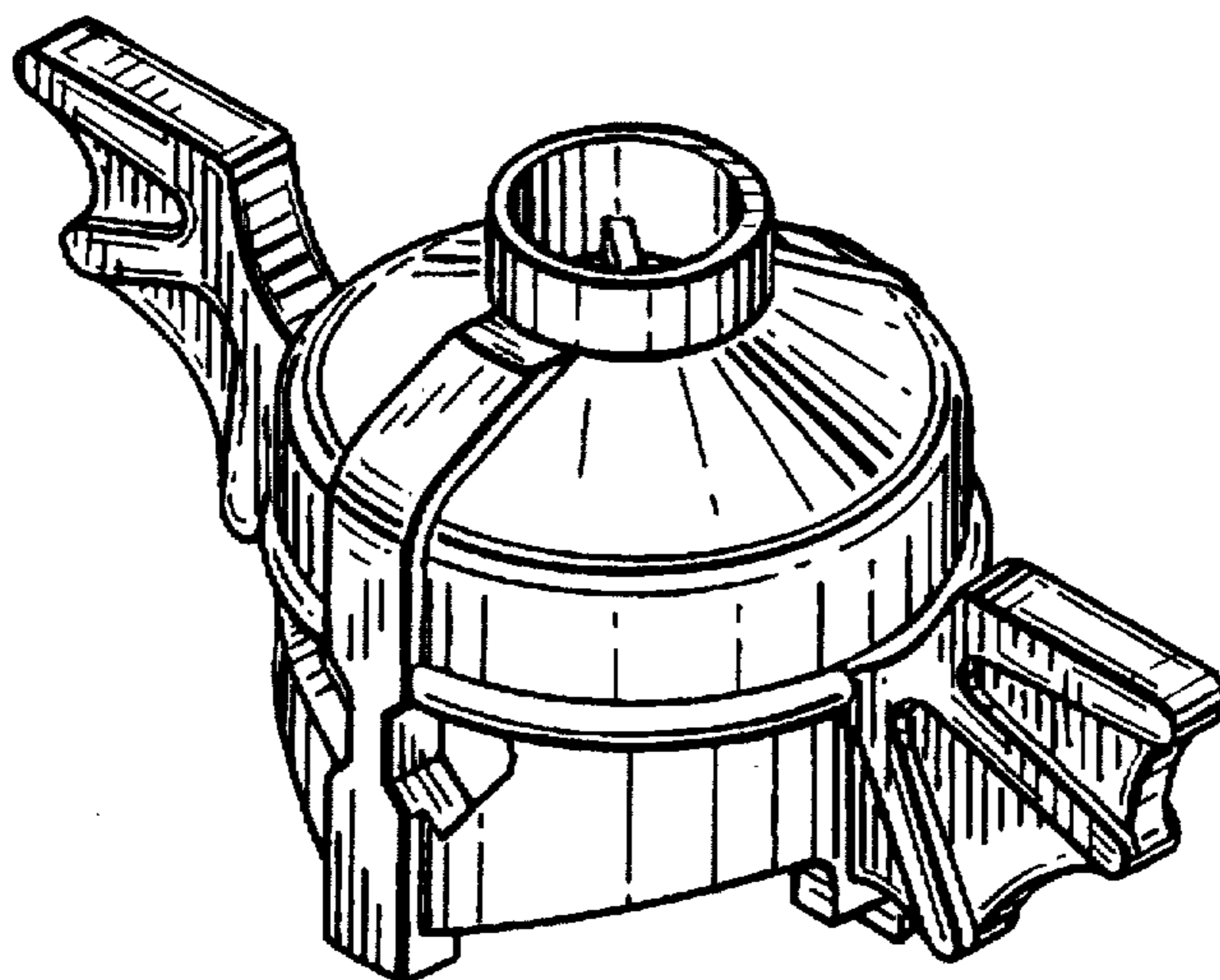


FIG. 1

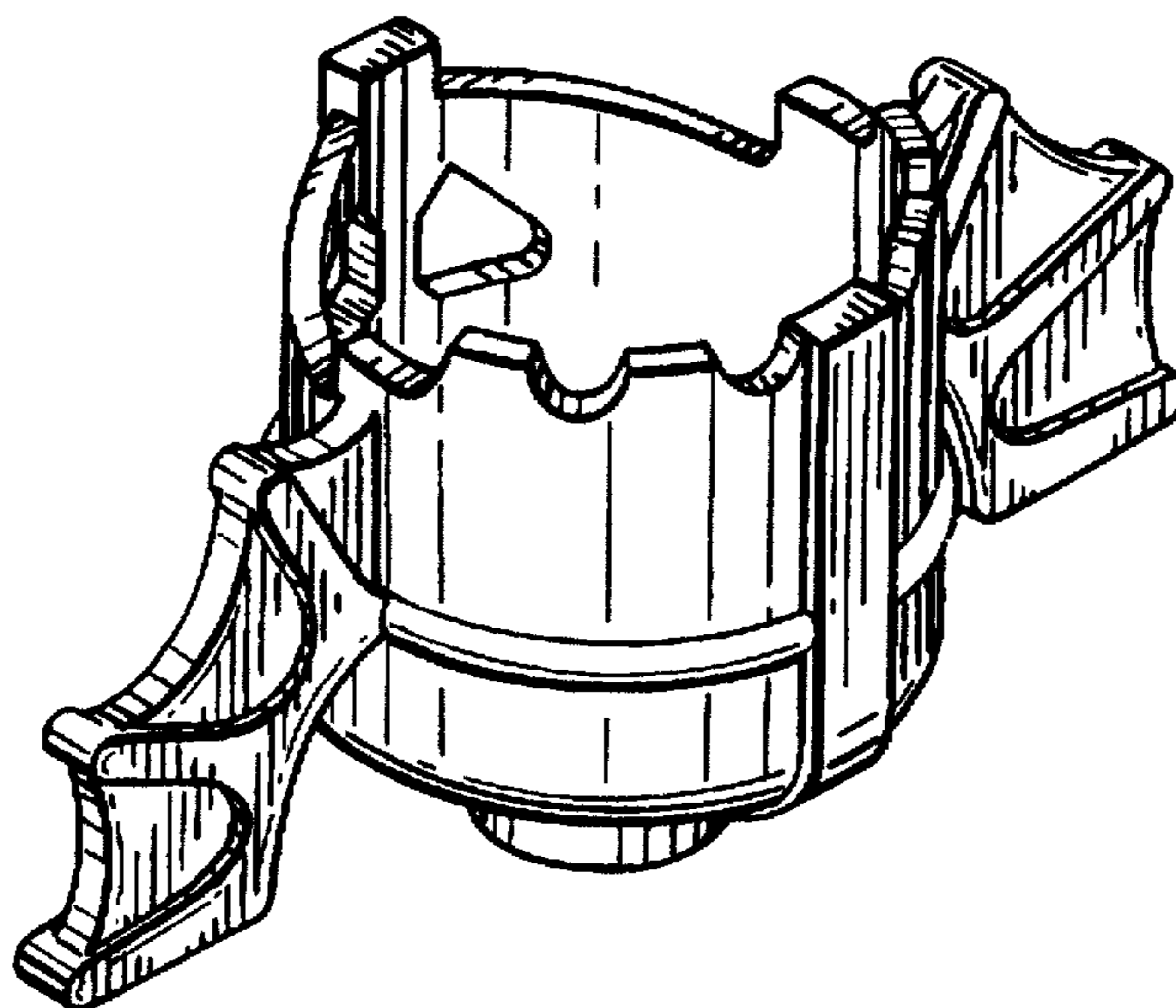


FIG. 2

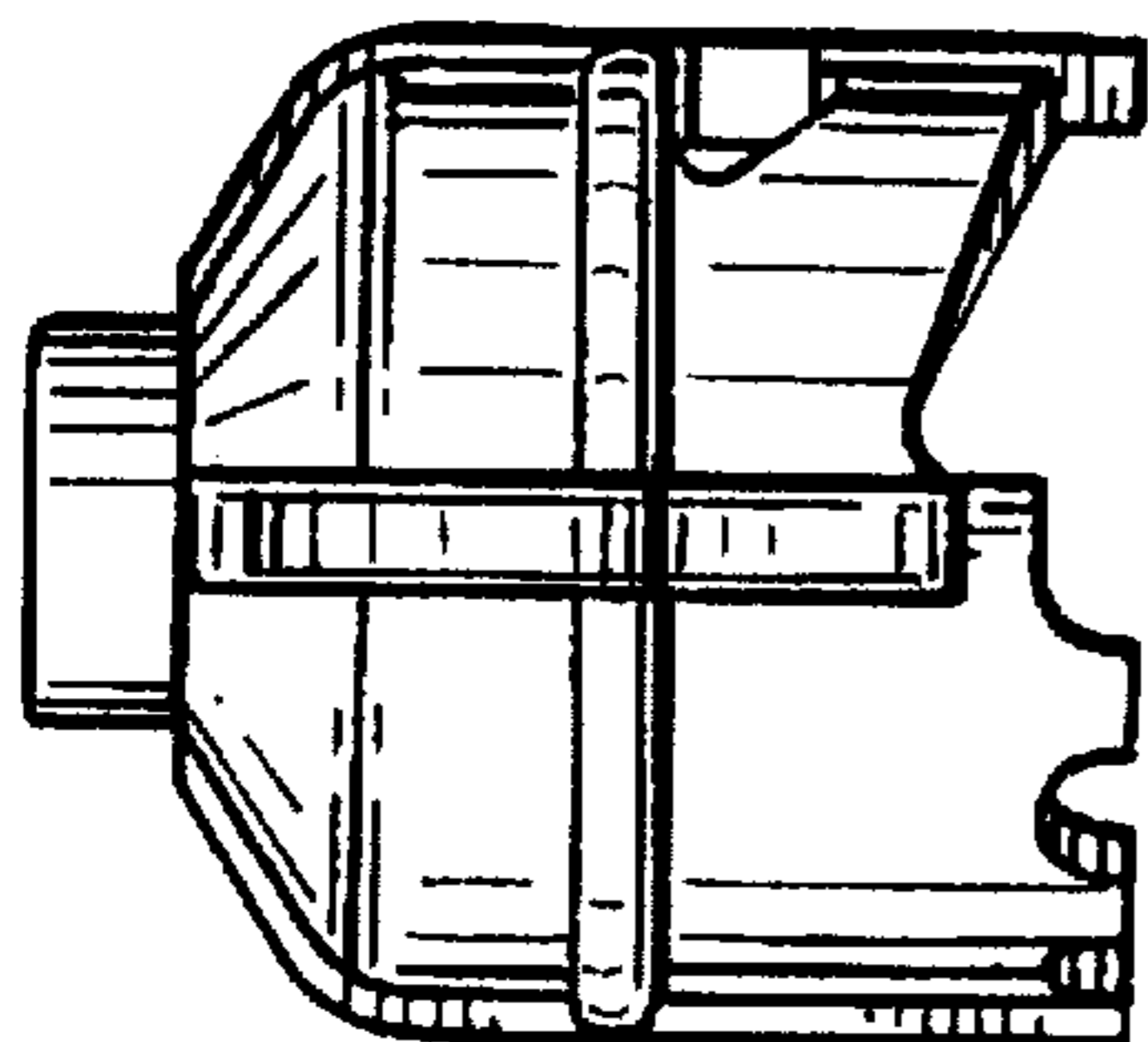


FIG. 4

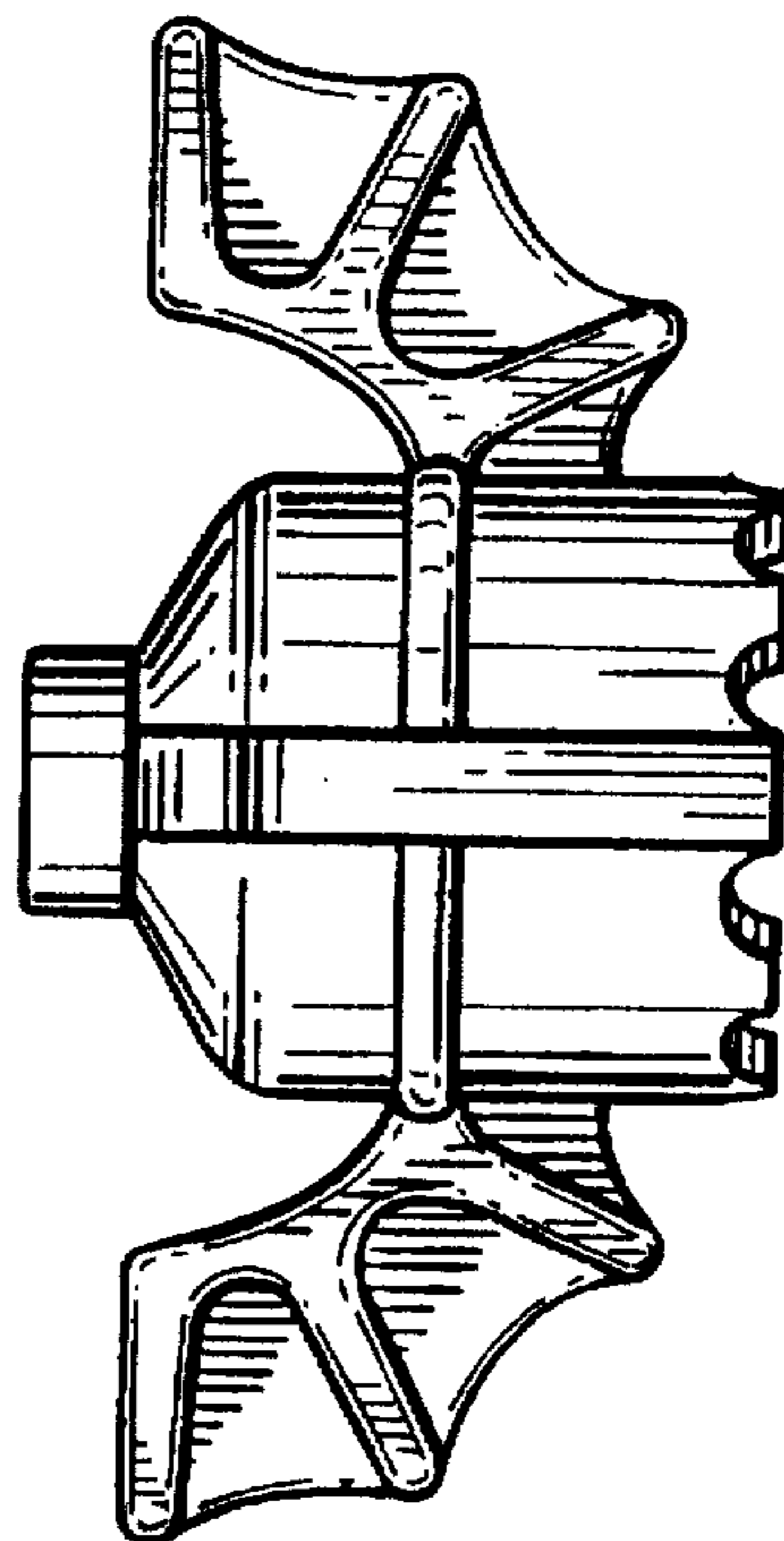


FIG. 6

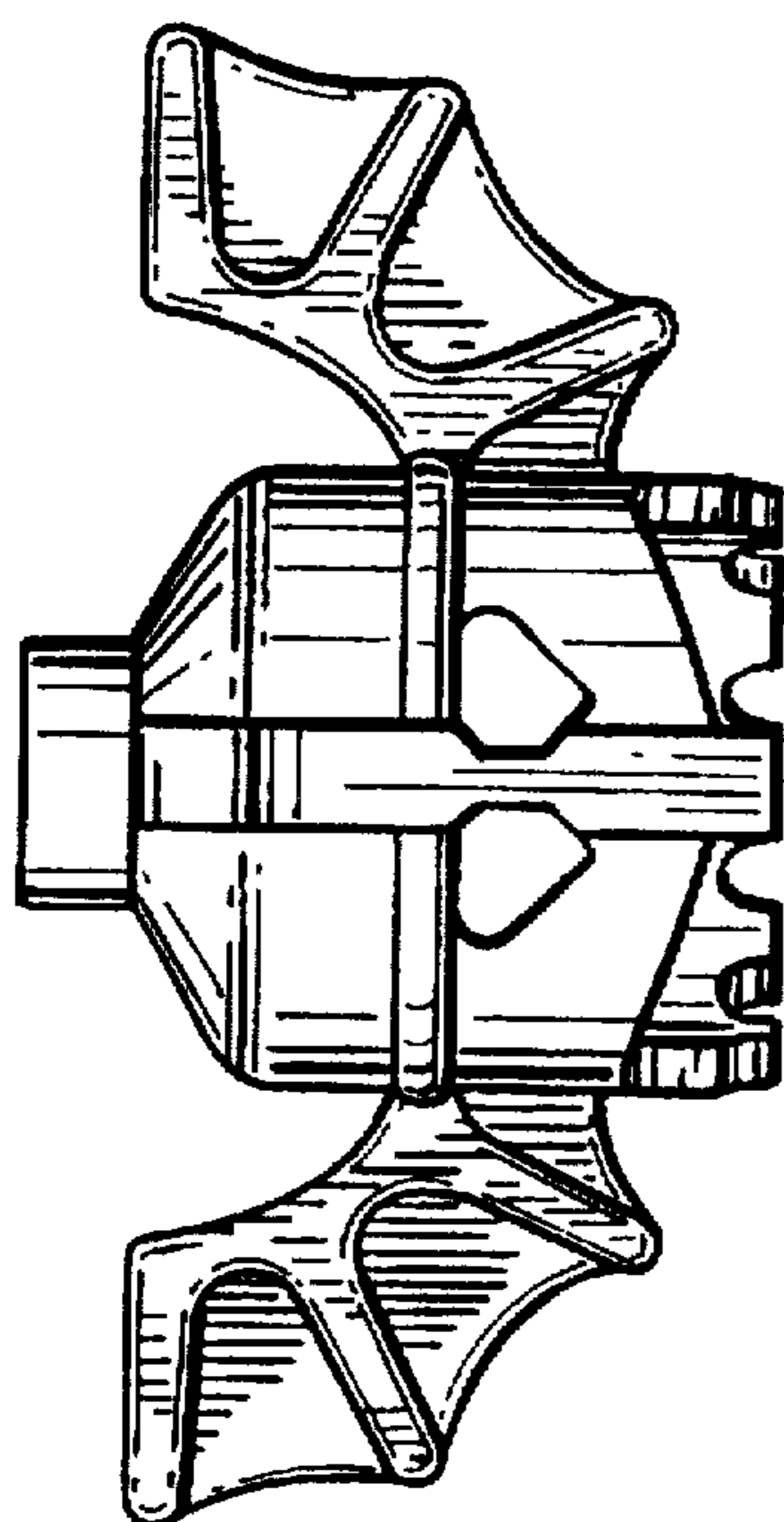


FIG. 3

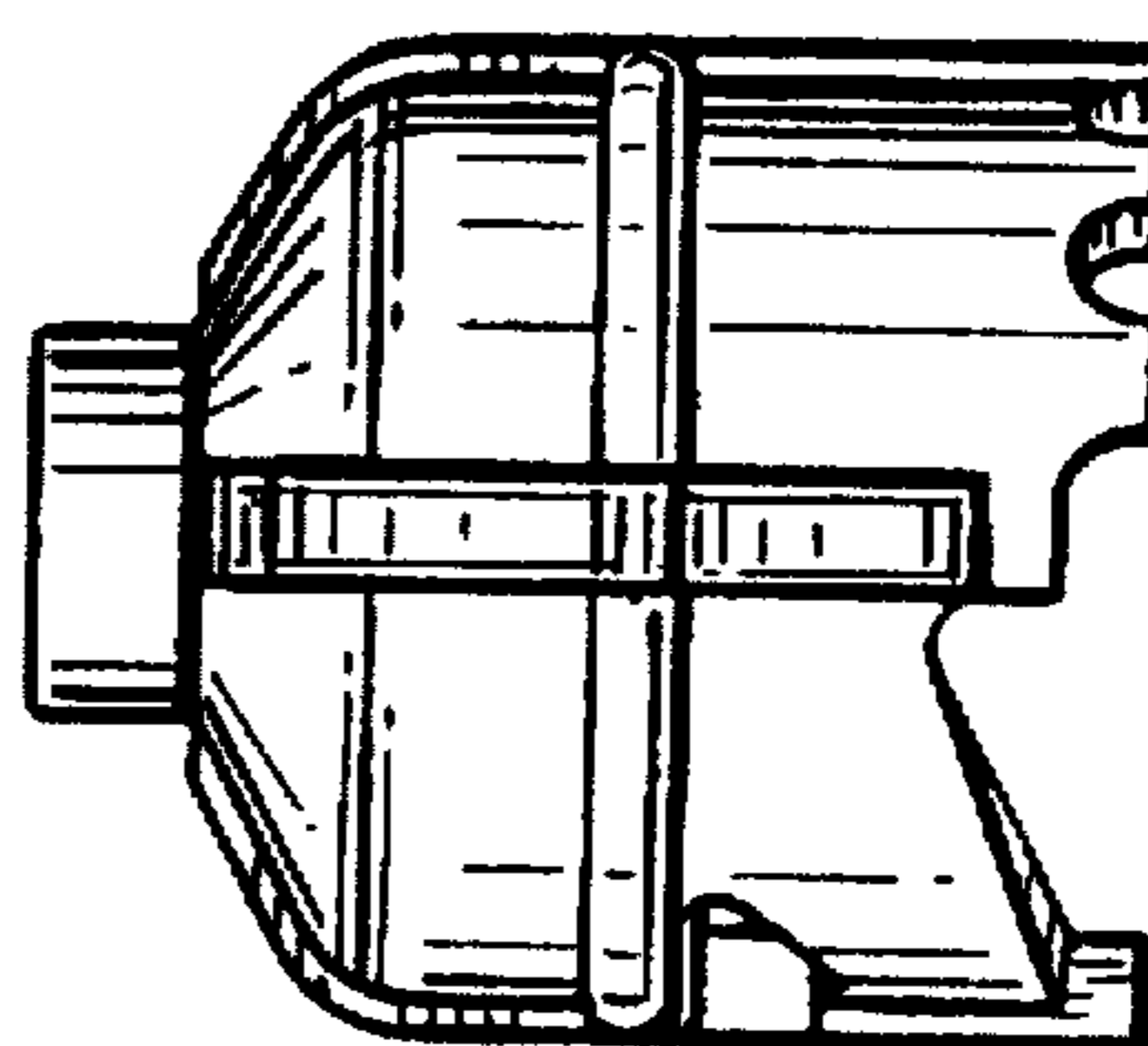


FIG. 5

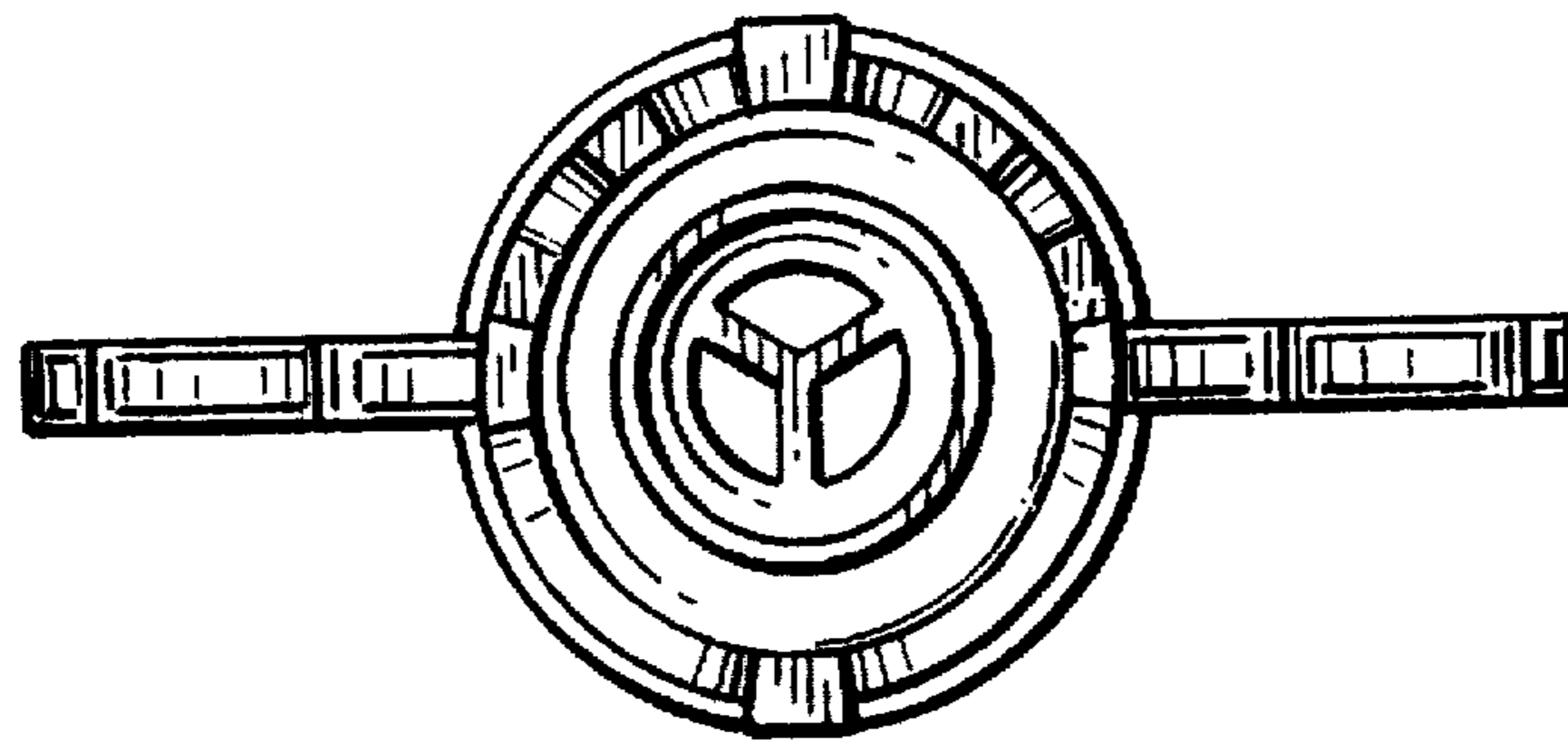


FIG. 7

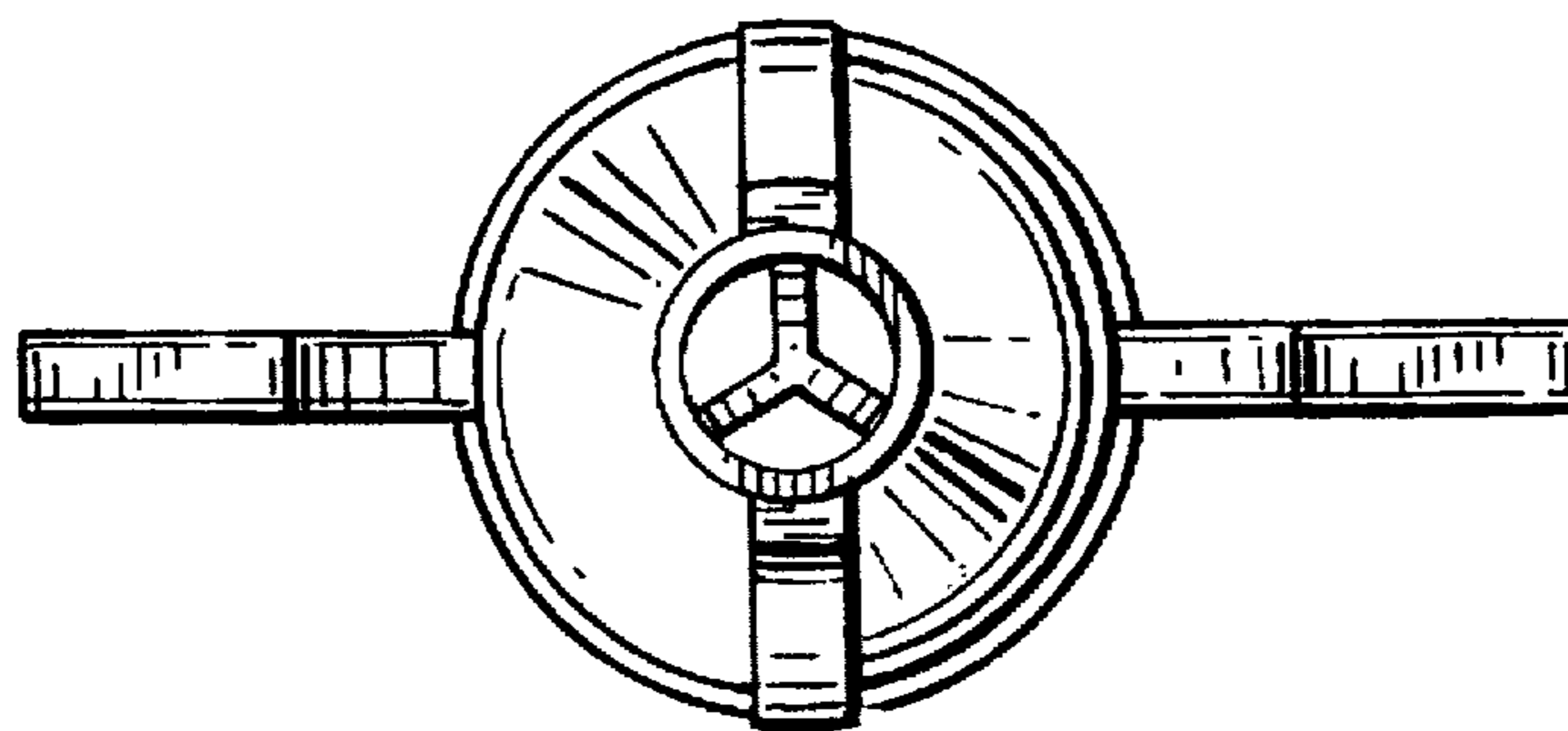


FIG. 8