



US00D389533S

**United States Patent** [19]  
**Maxwell**

[11] **Patent Number: Des. 389,533**  
[45] **Date of Patent: \*\*Jan. 20, 1998**

[54] **RIDE-ON TOY**

[75] **Inventor: Matthew C. Maxwell, Mogadore, Ohio**

[73] **Assignee: The Little Tikes Company, Hudson, Ohio**

[\*\*] **Term: 14 Years**

[21] **Appl. No.: 66,374**

[22] **Filed: Feb. 7, 1997**

[51] **LOC (6) Cl. .... 21-01**

[52] **U.S. Cl. .... D21/74**

[58] **Field of Search ..... D21/71, 73-76, D21/128, 134, 136, 157; 280/87.01, 87.021, 87.051, 87.043, 1.22, 1.13, 827, 828; 446/470, 441, 440, 76, 78, 80, 268, 269, 431, 465**

[56] **References Cited**

**U.S. PATENT DOCUMENTS**

D. 55,009	4/1920	Baier .	
D. 153,575	5/1949	Arbib .....	280/1.22
D. 215,224	9/1969	Cohn .....	280/1.22
D. 244,047	4/1977	Daverin et al. ....	D21/74
D. 248,683	7/1978	Nakao et al. ....	D21/74
D. 257,375	10/1980	Nottingham et al. ....	D21/74
D. 264,608	5/1982	Mariol .....	D21/78
D. 269,098	5/1983	Mariol .....	D21/78
D. 272,925	3/1984	Jones et al. ....	D21/74
D. 303,776	10/1989	Aker .....	D12/108
D. 327,302	6/1992	Mariol .....	D21/79
D. 337,973	8/1993	Mariol .....	D12/112
D. 338,925	8/1993	Van Huystee .....	D21/78
D. 341,168	11/1993	Martin .....	D21/75
D. 352,741	11/1994	Nakai .....	D21/76
D. 359,314	6/1995	Baerenwald et al. ....	D21/75
D. 362,279	9/1995	Fuligni .....	D21/78
D. 368,287	3/1996	Walter .....	D21/78
D. 370,943	6/1996	Maxwell et al. ....	D21/78
D. 371,812	7/1996	Veraguth .....	D21/74
2,938,725	5/1960	Vanause .....	280/1.22
3,137,510	6/1964	Lemelson .....	280/1.22
4,264,080	4/1981	Kassai .....	280/1.13
4,714,261	12/1987	Kassai .....	280/87.021
4,741,544	5/1988	Kassai .....	280/113

**OTHER PUBLICATIONS**

- P. 119, Ride-on toys; Montgomery Ward Christmas Values '83, address unknown. Publication date 1983.
- P. 569, Ride-on toys; Sears Wish Book '85, 3333 Beverly Road, Hoffman Estates, Illinois 60179. Publication date 1985.
- P. 29, Ride-on toys; Marx toys Catalog, address unknown. Publication date 1973.
- P. 19, Ride-on toys; Playskool/A Division of Hasbro, Inc., 1027 Newport Avenue, P. O. Box 1059, Pawtucket, Rhode Island 02862. Publication date 1993.
- Catalog page, Ride-on toy; Playskool/A Division of Hasbro, Inc., 1027 Newport Avenue, P. O. Box 1059, Pawtucket, Rhode Island 02862. Publication date 1992.
- Catalog page, Ride-on toy; Chicco, Statli dei Giovi km. 7, 22070 Casnate. Publication date 1991.
- P. 26, Ride-on toy; Big Spielwarenfabrik, Postfach 280, 8510 Furth/Bayern, Germany. Published at least as early as Dec., 1994.
- Catalog page, Ride-on toys; Panosh Place, 200 Century Parkway, Mount Laurel, New Jersey 08054. Publication date 1987.
- P. 9, Ride-on toy; Fisher-Price, 620 Girard Avenue, East Aurora, New York 14052. Publication date 1994.

(List continued on next page.)

*Primary Examiner*—Raphael Barkai  
*Attorney, Agent, or Firm*—Richard B. O'Planick; Lisa B. Riedesel

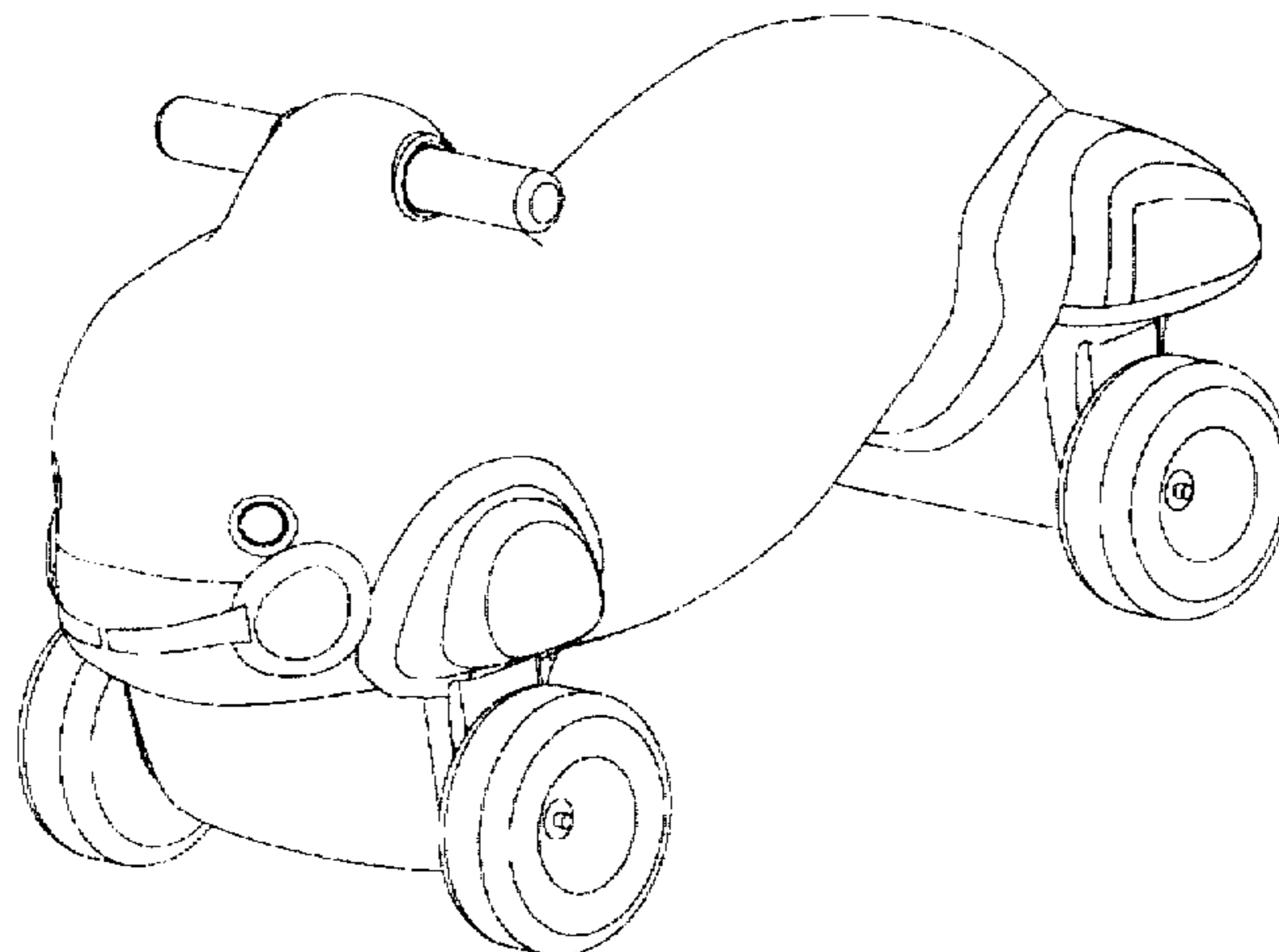
[57] **CLAIM**

The ornamental design for a ride-on toy, as shown and described.

**DESCRIPTION**

FIG. 1 is a top right front perspective view of a ride-on toy showing my new design.  
FIG. 2 is a right side elevational view thereof; the left side elevational view being a mirror image;  
FIG. 3 is a top plan view thereof;  
FIG. 4 is a bottom plan view thereof;  
FIG. 5 is a front elevational view thereof; and,  
FIG. 6 is a rear elevational view thereof.

**1 Claim, 5 Drawing Sheets**



**OTHER PUBLICATIONS**

P. 14, Ride-on toy; The Little Tikes Company, 2180 Barlow Road, Hudson, Ohio 44236. Publication date 1985.  
P. 25, Ride-on toy; The Little Tikes Company, 2180 Barlow Road, Hudson, Ohio 44236. Publication date 1987.

P. 65, Ride-on toys; The Little Tikes Company, 2180 Barlow Road, Hudson, Ohio 44236. Publication date 1990.

Catalog page, Ride-on toys; The Little Tikes Company, 2180 Barlow Road, Hudson, Ohio 44236. Publication date 1997.

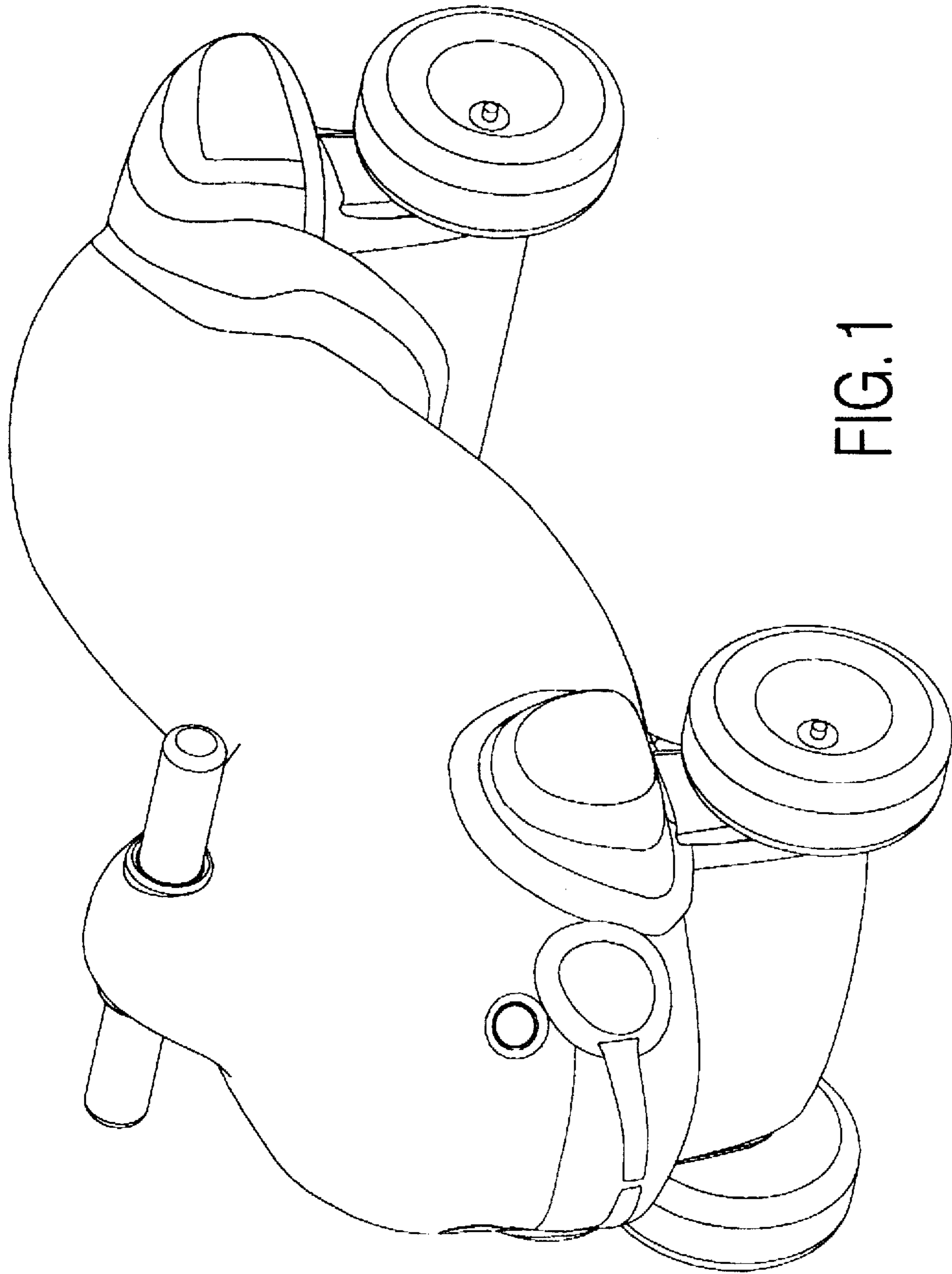


FIG. 1

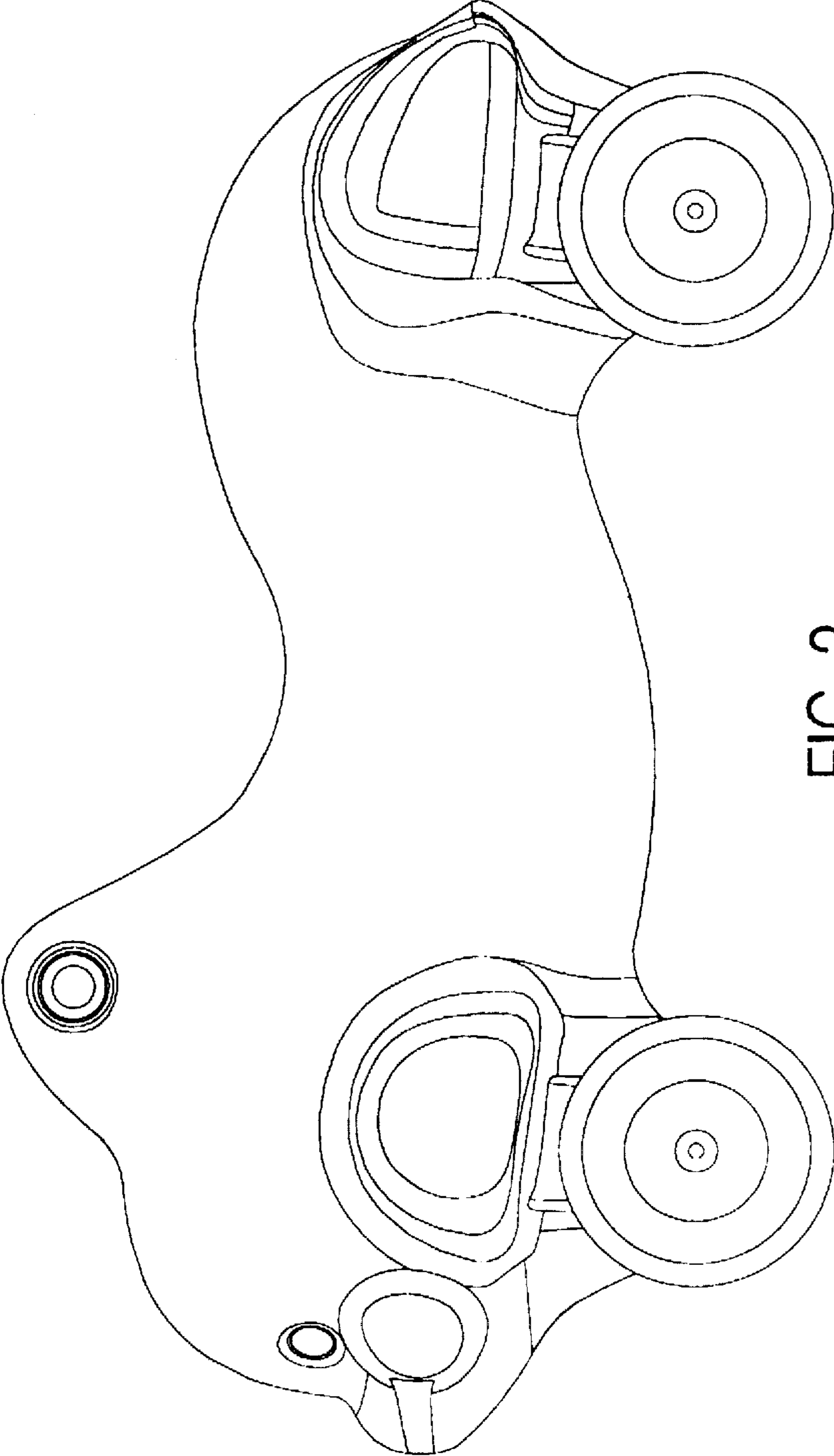


FIG. 2

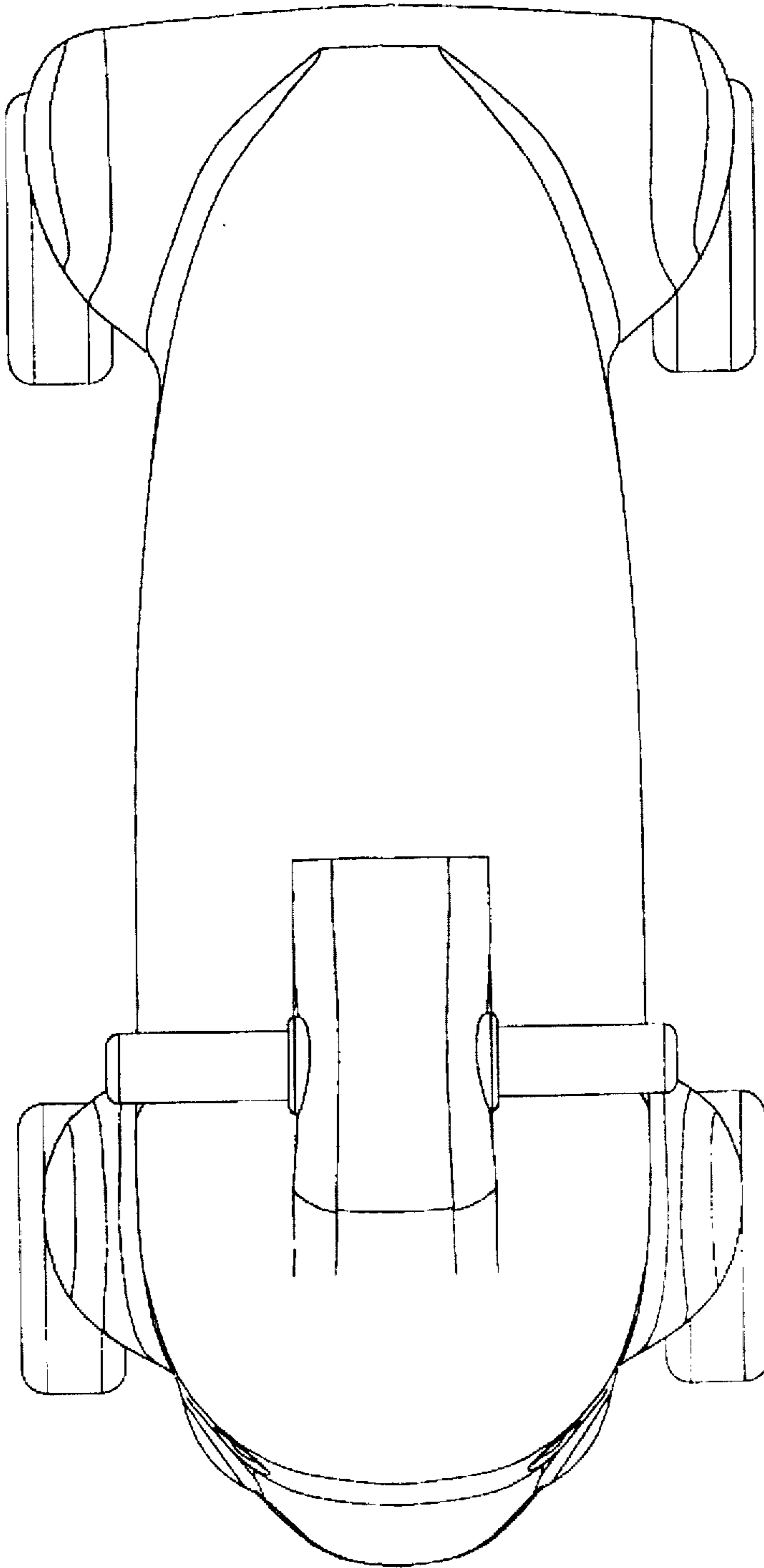


FIG. 3

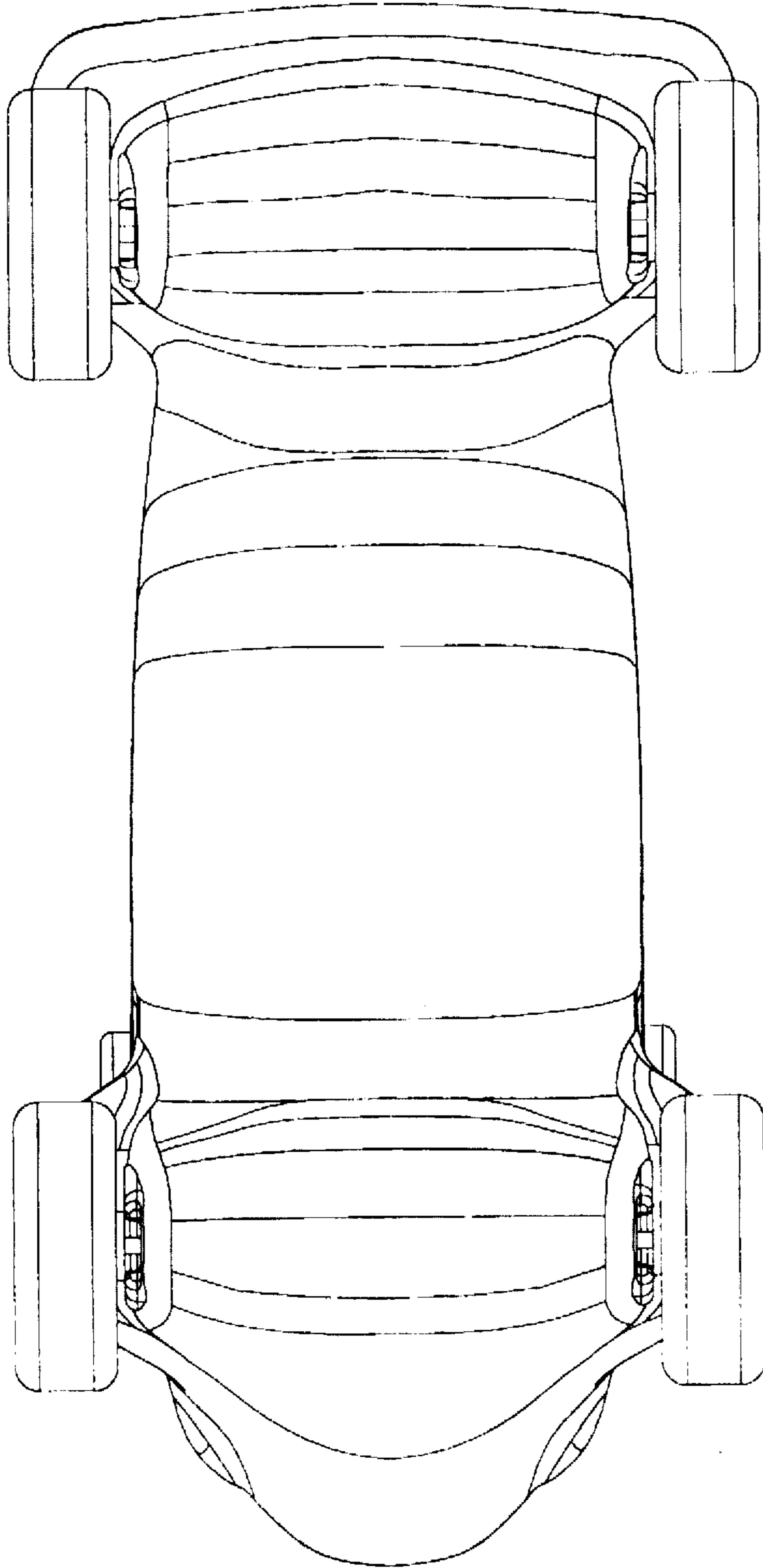


FIG. 4

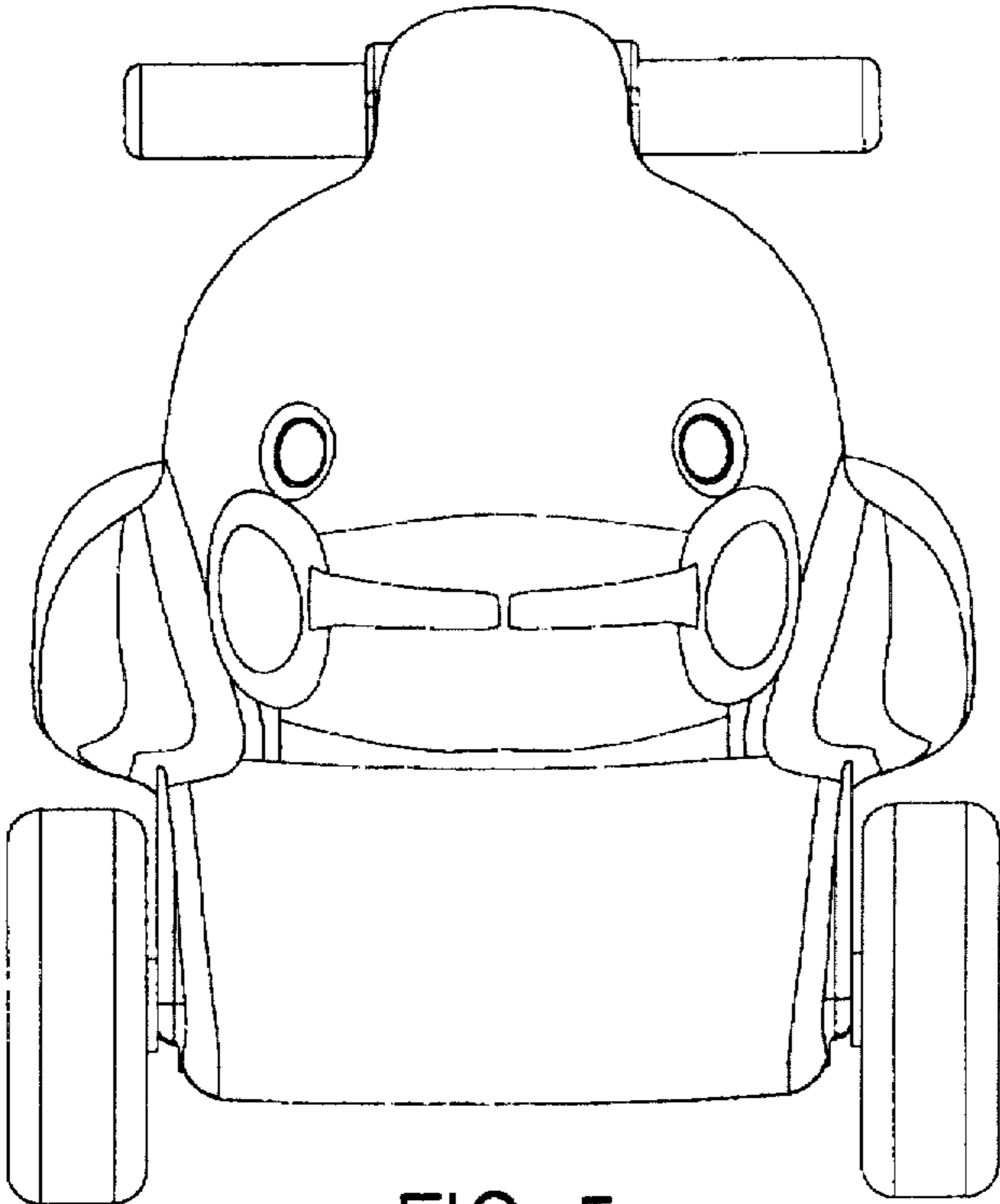


FIG. 5

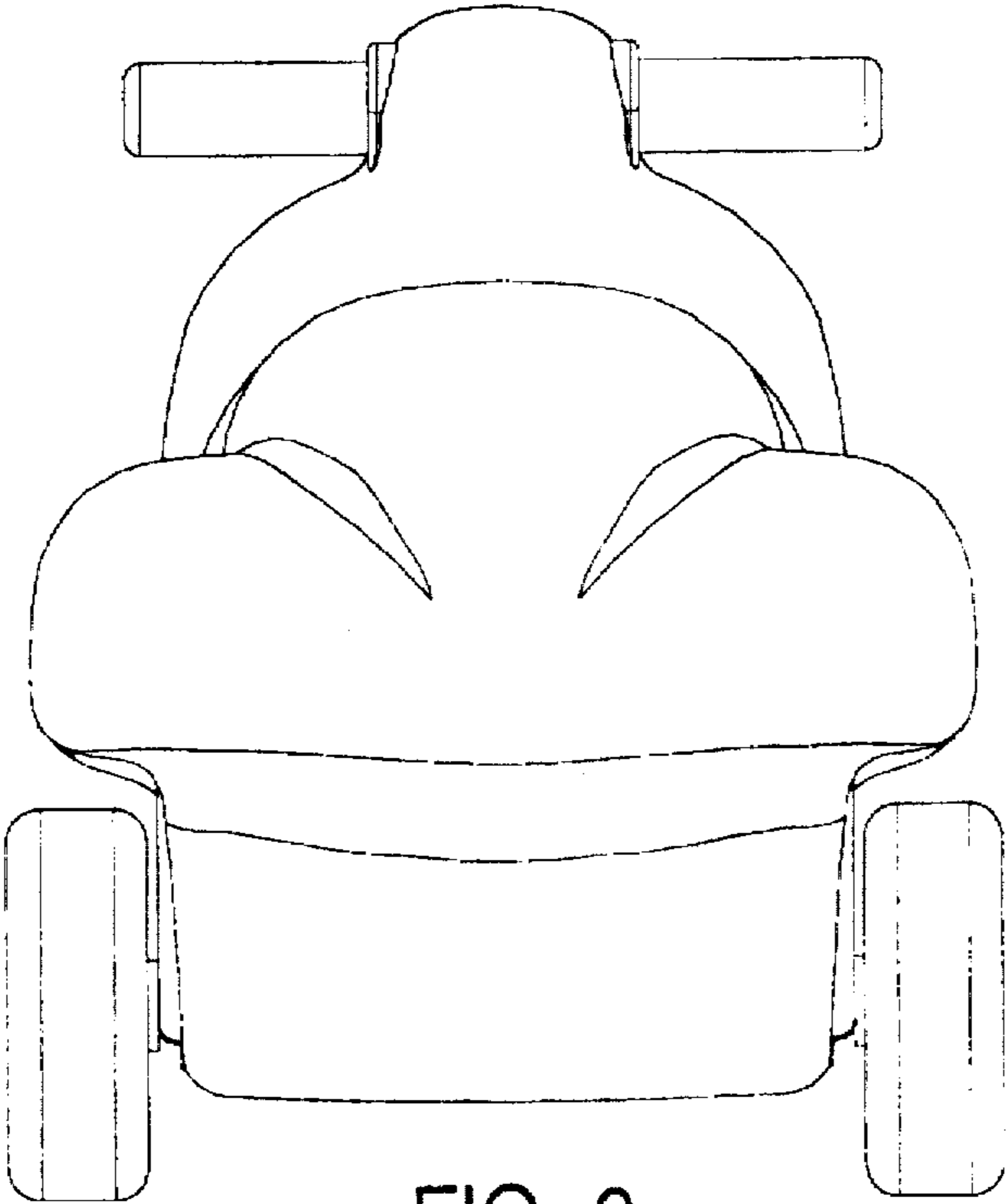


FIG. 6