



US00D389532S

United States Patent [19]
van Huystee

[11] **Patent Number: Des. 389,532**
[45] **Date of Patent: **Jan. 20, 1998**

[54] **WAGON**

D. 345,768 4/1994 Bro et al. D21/71
D. 369,629 5/1996 Pasin et al. D21/71
D. 372,942 8/1996 Fish, Jr. D21/71

[75] **Inventor: Maarten van Huystee, East Aurora, N.Y.**

OTHER PUBLICATIONS

Little Tikes Catalog, p. 26, Wagon "F", 1995.

[73] **Assignee: Fisher-Price, Inc., East Aurora, N.Y.**

Primary Examiner—Raphael Barkai

[**] **Term: 14 Years**

Attorney, Agent, or Firm—Morgan, Lewis & Bockius LLP;
C. Scott Talbot

[21] **Appl. No.: 62,528**

[57] **CLAIM**

[22] **Filed: Nov. 18, 1996**

The ornamental design for a wagon, as shown and described.

Related U.S. Application Data

DESCRIPTION

[63] Continuation-in-part of Ser. No. 50,050, Feb. 7, 1996, abandoned.

FIG. 1 is a right perspective view of a wagon with the handle in an extended position showing my new design, the left side being a mirror image;

[51] **LOC (6) Cl. 21-01**

[52] **U.S. Cl. D21/71**

[58] **Field of Search D21/71, 73, 78, D21/80, 81, 129, 134; 280/87.01, 87.21, 87.042, 828, 47.36; 446/444, 446, 168**

FIG. 2 is a right perspective view of the wagon with the handle in a retracted position, the left side being a mirror image;

FIG. 3 is a top plan view thereof;

FIG. 4 is a bottom plan view thereof;

FIG. 5 is a front elevational view thereof;

FIG. 6 is a rear elevational view thereof;

FIG. 7 is a right side elevational view thereof; and,

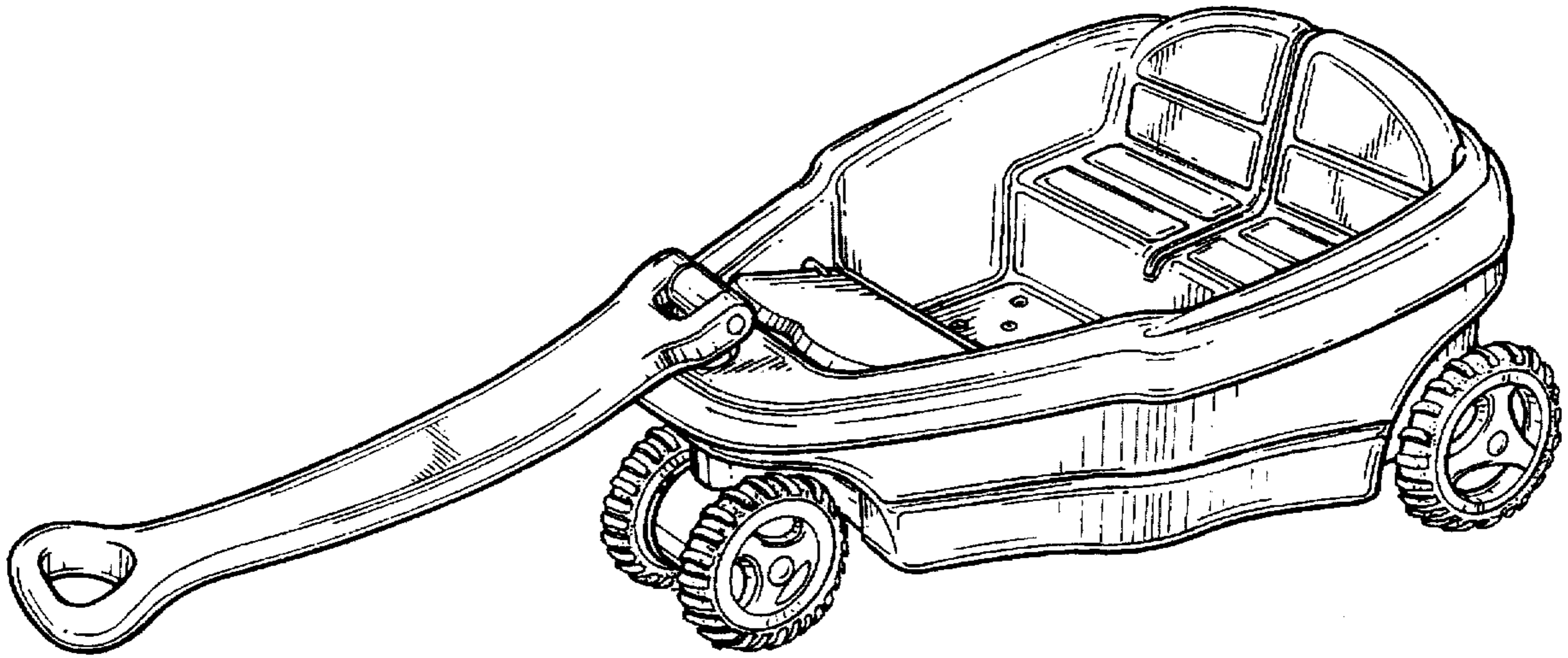
FIG. 8 is a left side elevational view thereof.

[56] **References Cited**

U.S. PATENT DOCUMENTS

D. 145,624 9/1946 Huebner D21/80
D. 146,061 12/1946 Patner D21/80
D. 326,288 5/1992 Arnott et al. D21/71

1 Claim, 5 Drawing Sheets



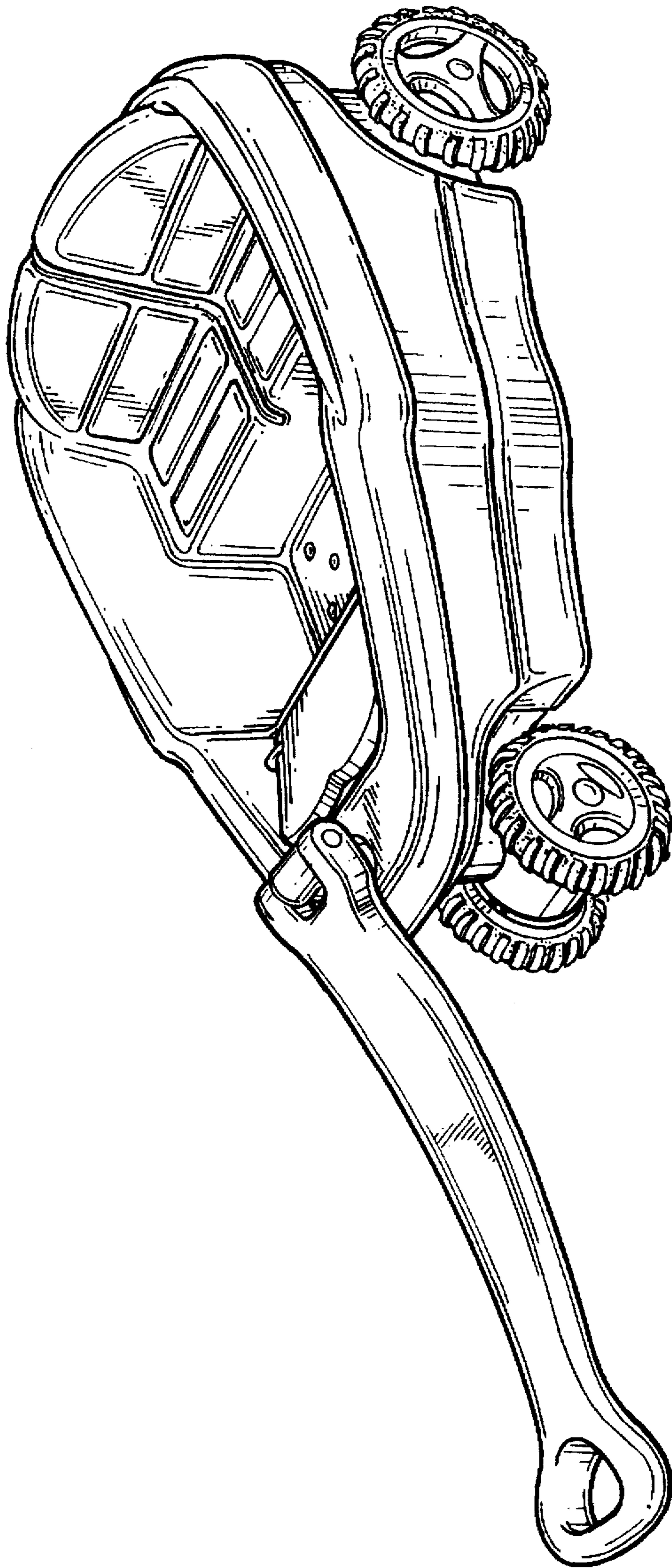


FIG. 1

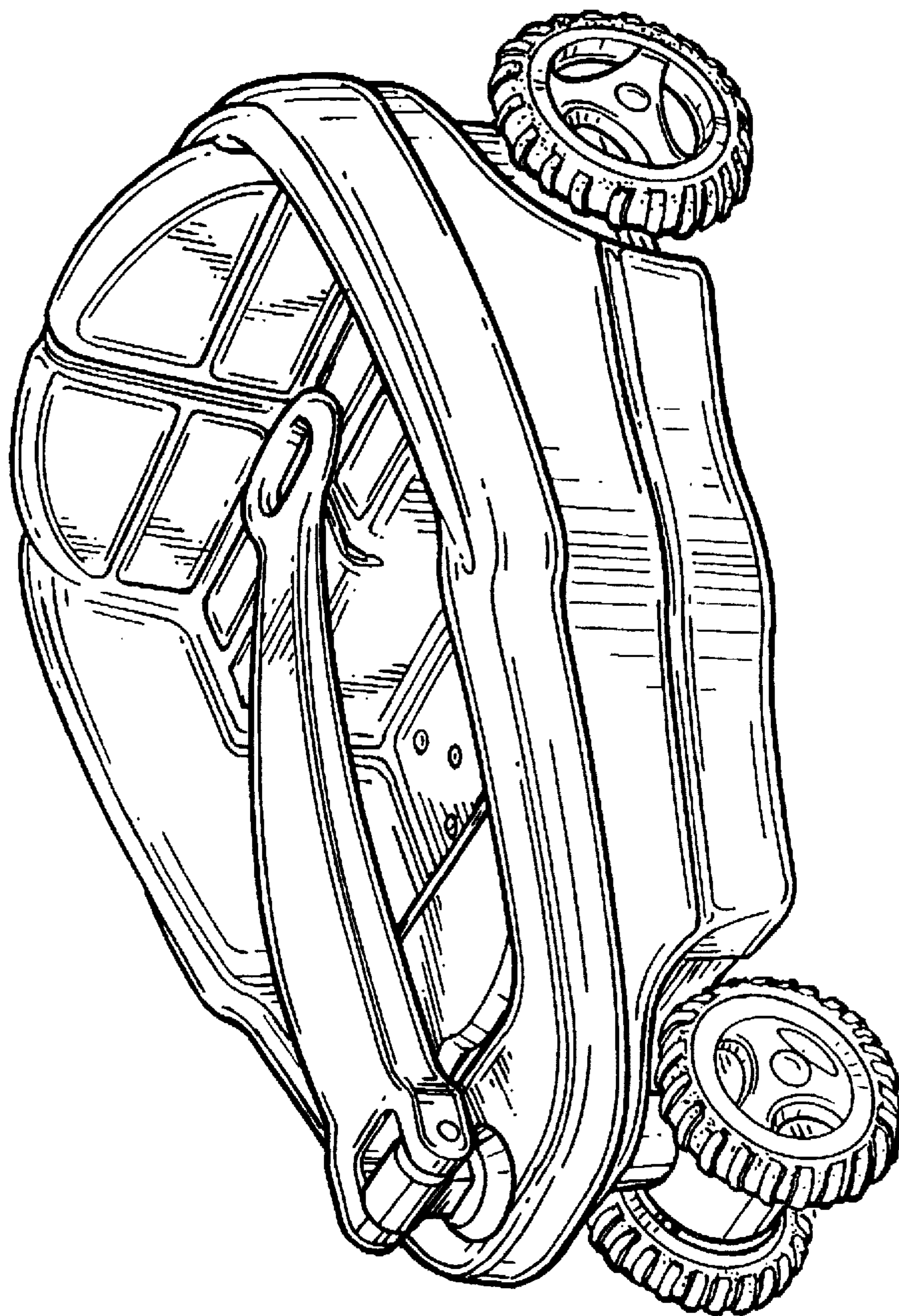


FIG. 2

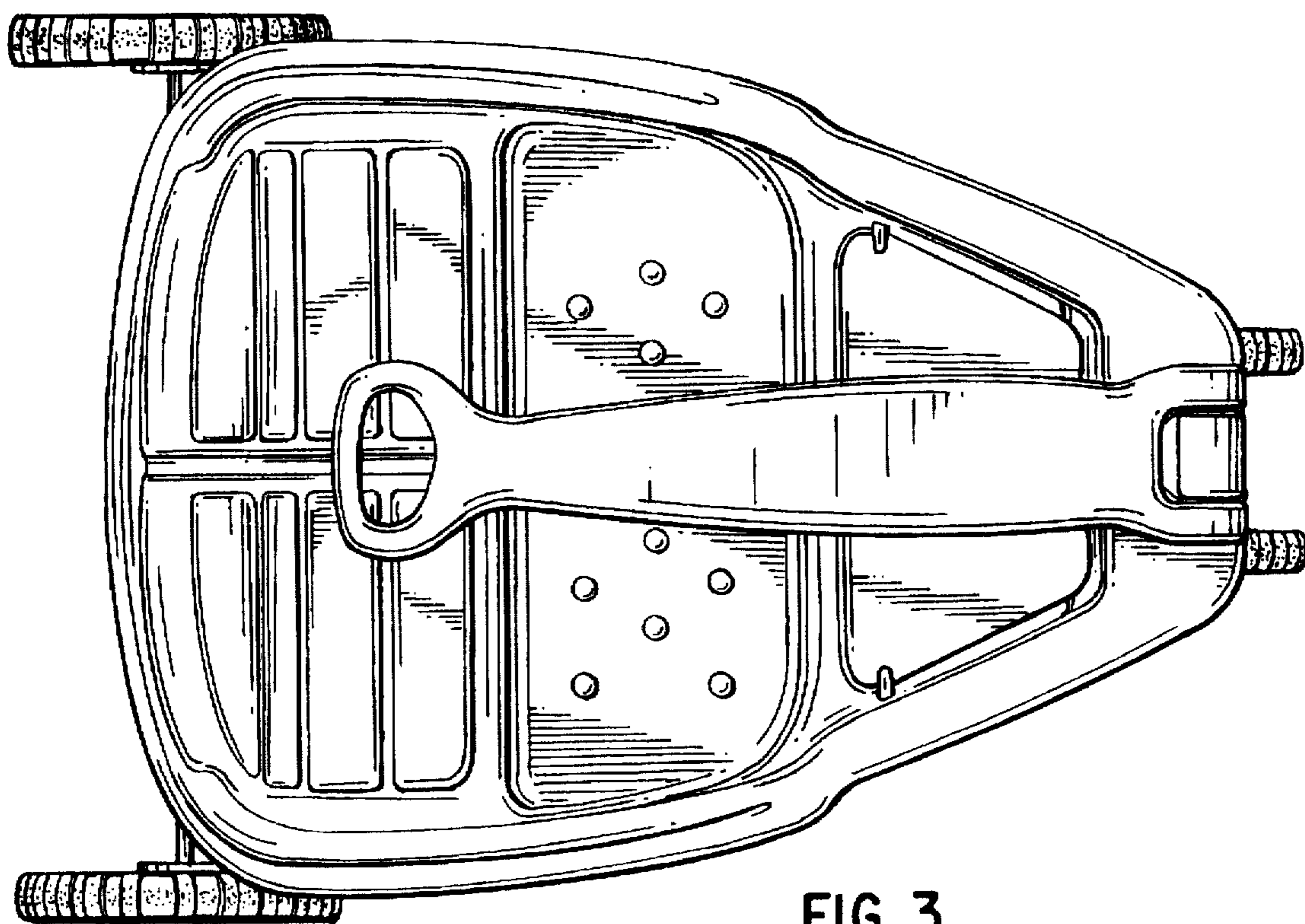


FIG. 3

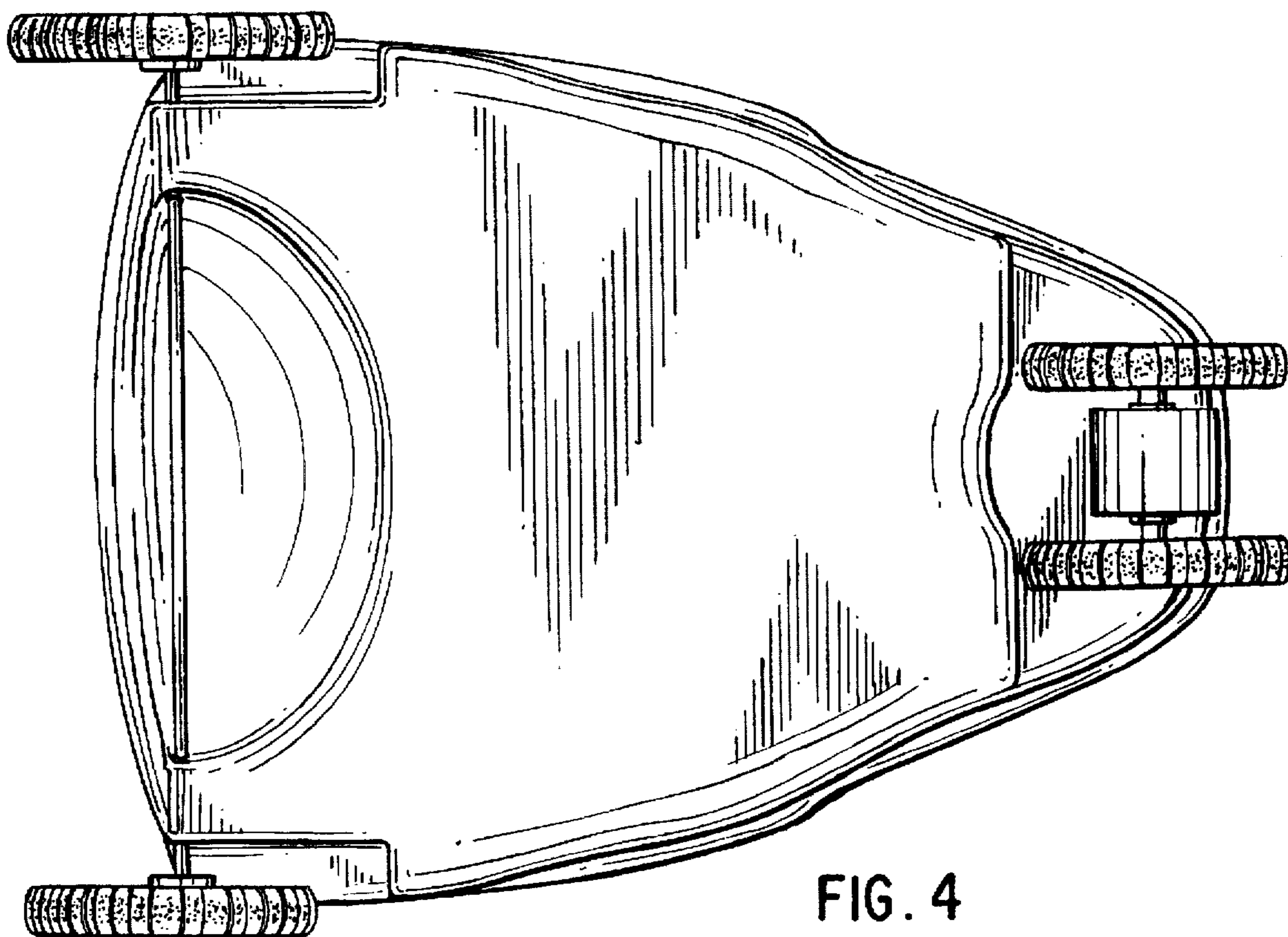


FIG. 4

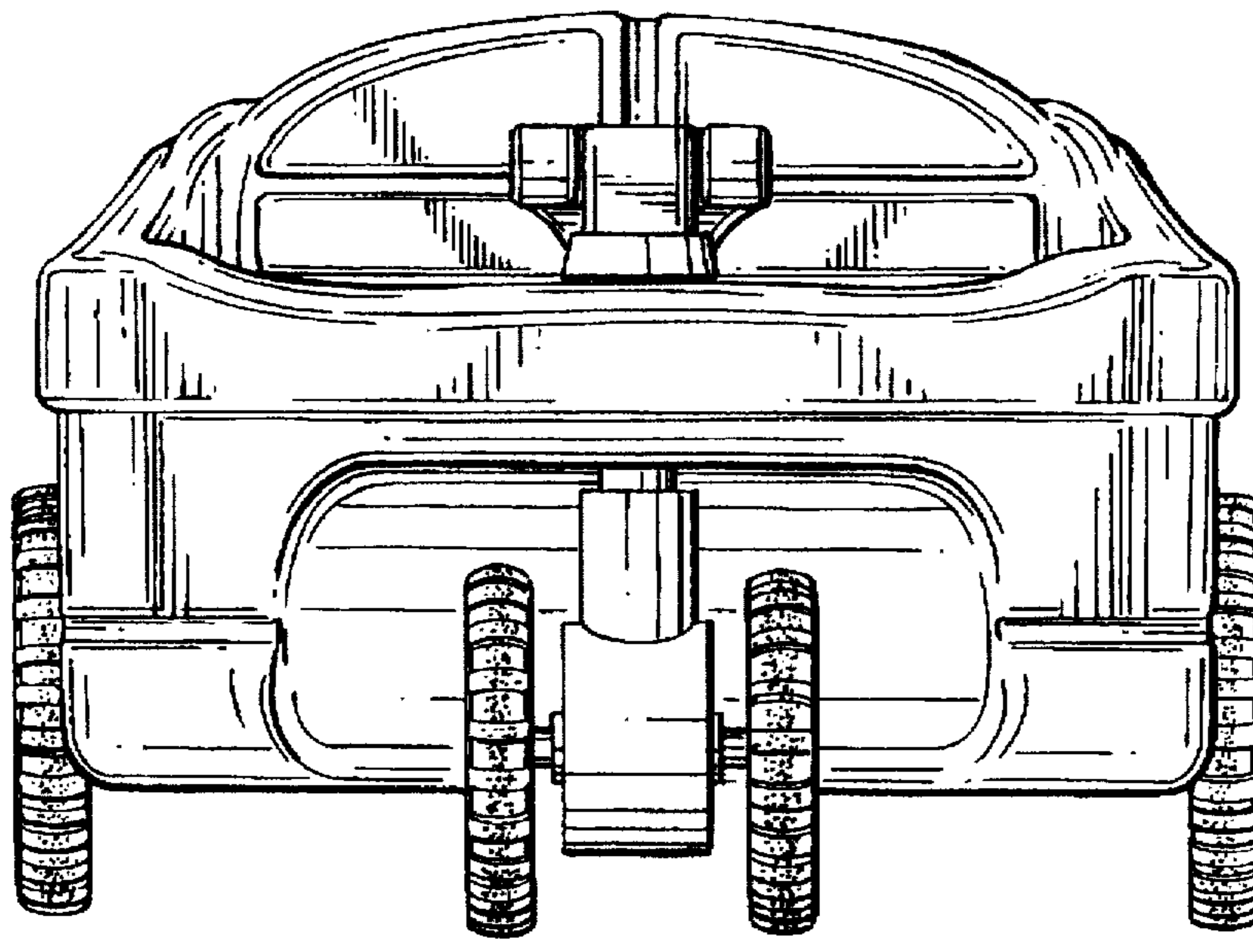


FIG. 5

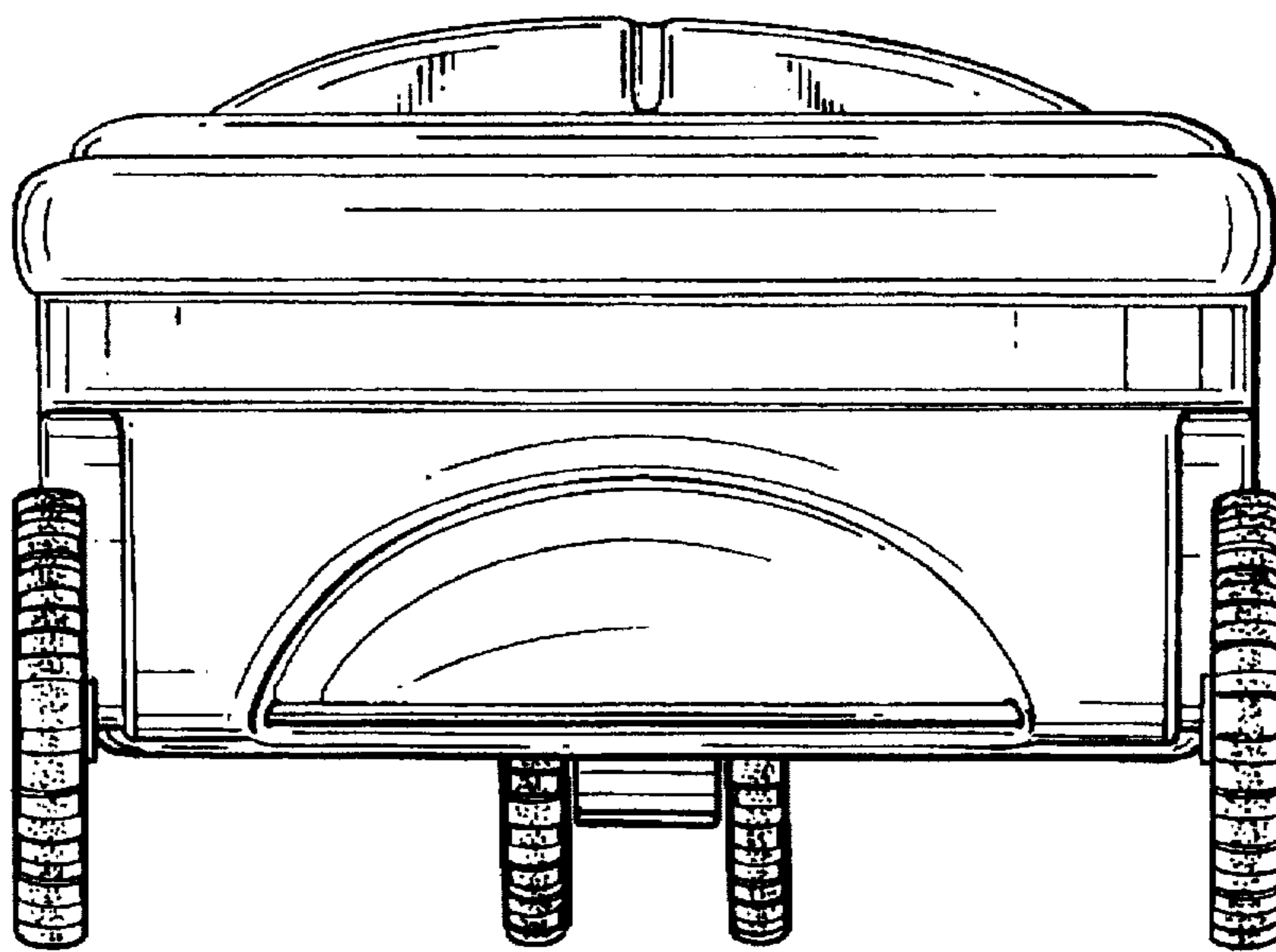


FIG. 6

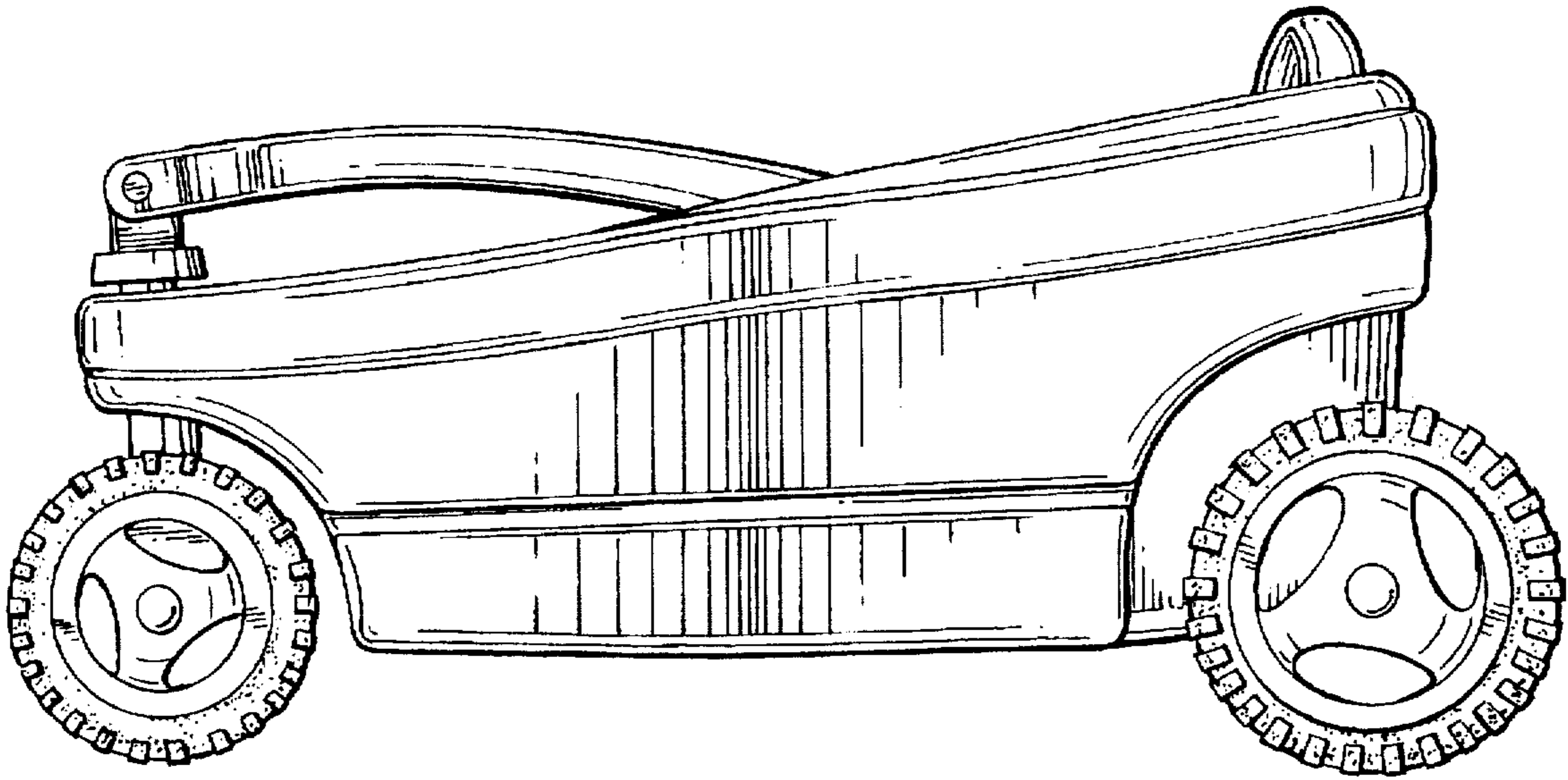


FIG. 7

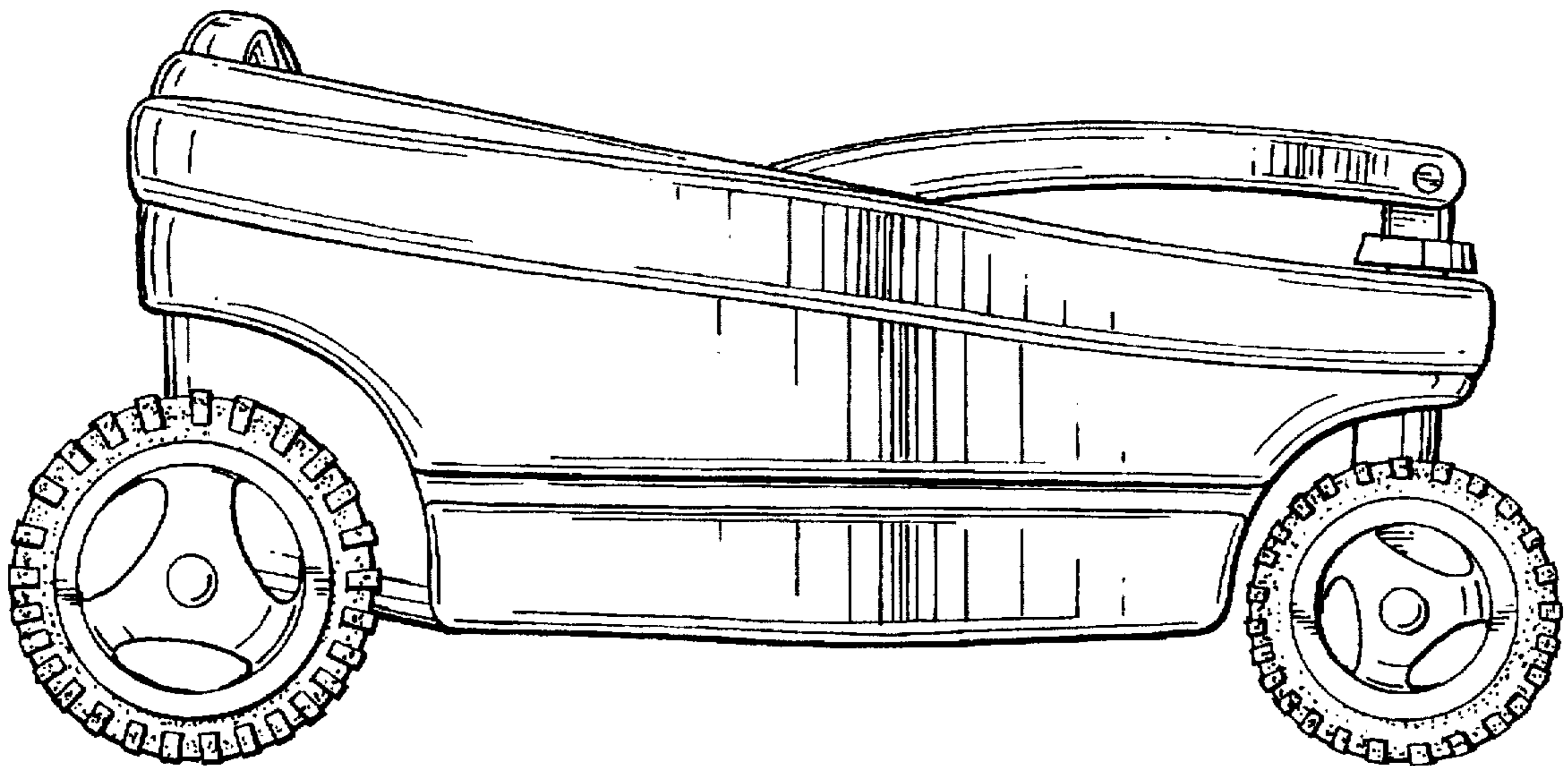


FIG. 8