



US00D389530S

# United States Patent [19]

Herman

[11] Patent Number: **Des. 389,530**

[45] Date of Patent: **\*\*Jan. 20, 1998**

[54] **TOY SIFTER**

[76] Inventor: **Dale Kevin Herman, 9308—176A Street, Edmonton, Alberta, Canada, T5T 3G6**

[\*\*] Term: **14 Years**

[21] Appl. No.: **57,155**

[22] Filed: **Jul. 17, 1996**

[30] **Foreign Application Priority Data**

Jan. 18, 1996 [CA] Canada ..... 1996-0109

[51] LOC (6) CL ..... **21-01**

[52] U.S. Cl. .... **D21/59; D7/667**

[58] Field of Search ..... **D21/59; D7/667, D7/668; 446/70; 209/233**

[56] **References Cited**

### U.S. PATENT DOCUMENTS

D. 161,679 1/1951 Chester ..... D7/668  
D. 272,972 3/1984 DeCaster ..... D7/667

D. 355,938 2/1995 Kino ..... D21/59  
D. 369,837 5/1996 Kino ..... D21/59  
3,200,954 8/1965 Marcus ..... D7/667 X  
3,561,155 2/1971 Tarrson ..... 446/70  
3,627,128 12/1971 Ostrowsky ..... D7/668 X  
3,835,580 9/1974 Kecses ..... 446/70

*Primary Examiner—Dominic Simone*  
*Attorney, Agent, or Firm—Anthony R. Lambert*

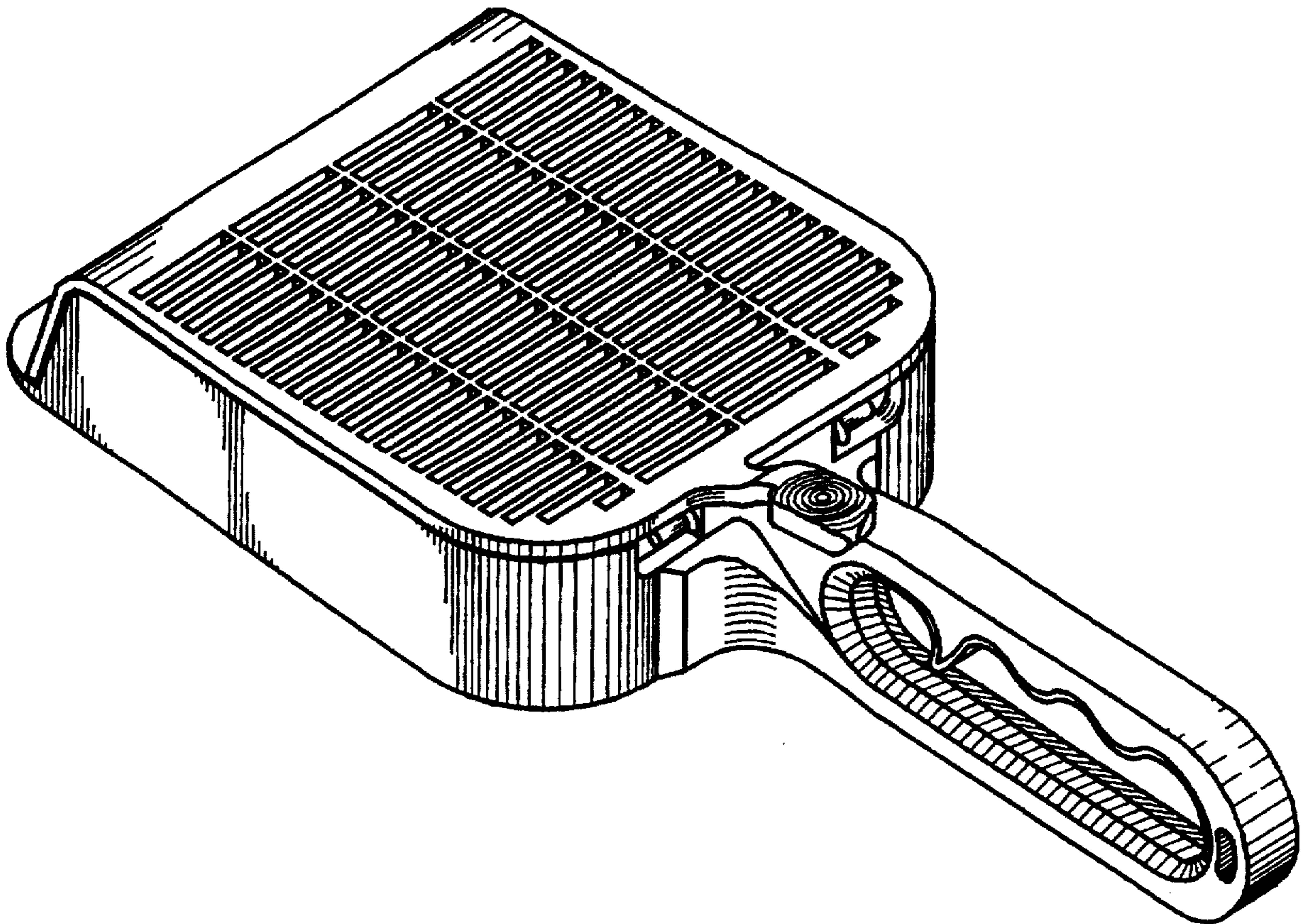
### [57] CLAIM

The ornamental design for a toy sifter, as shown and described.

### DESCRIPTION

FIG. 1 is a perspective view;  
FIG. 2 is a top plan view;  
FIG. 3 is a bottom plan view;  
FIG. 4 is a right side elevation view;  
FIG. 5 is a left side elevation view;  
FIG. 6 is a rear elevation view; and  
FIG. 7 is a front elevation view.

**1 Claim, 5 Drawing Sheets**



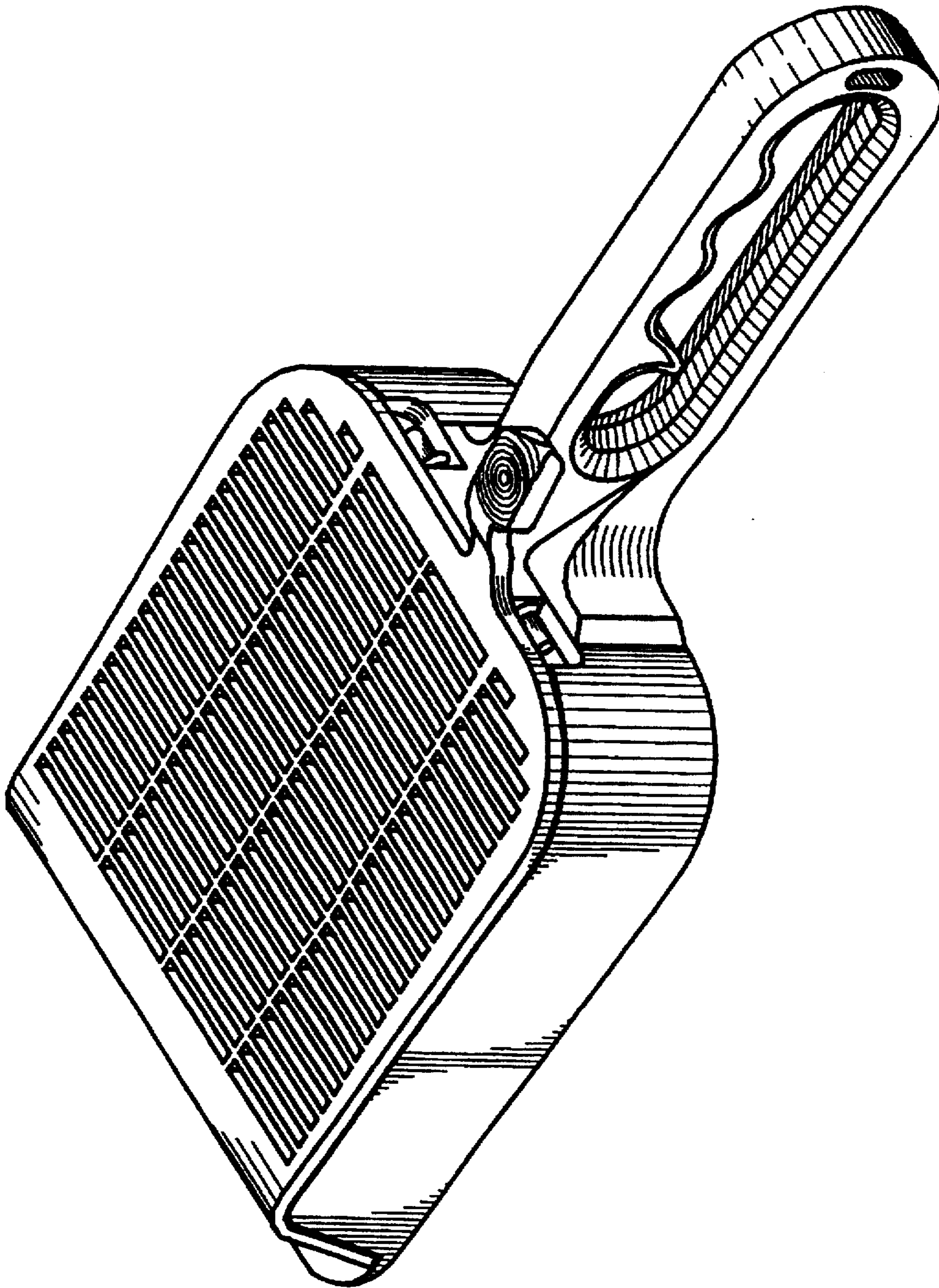


FIGURE 1

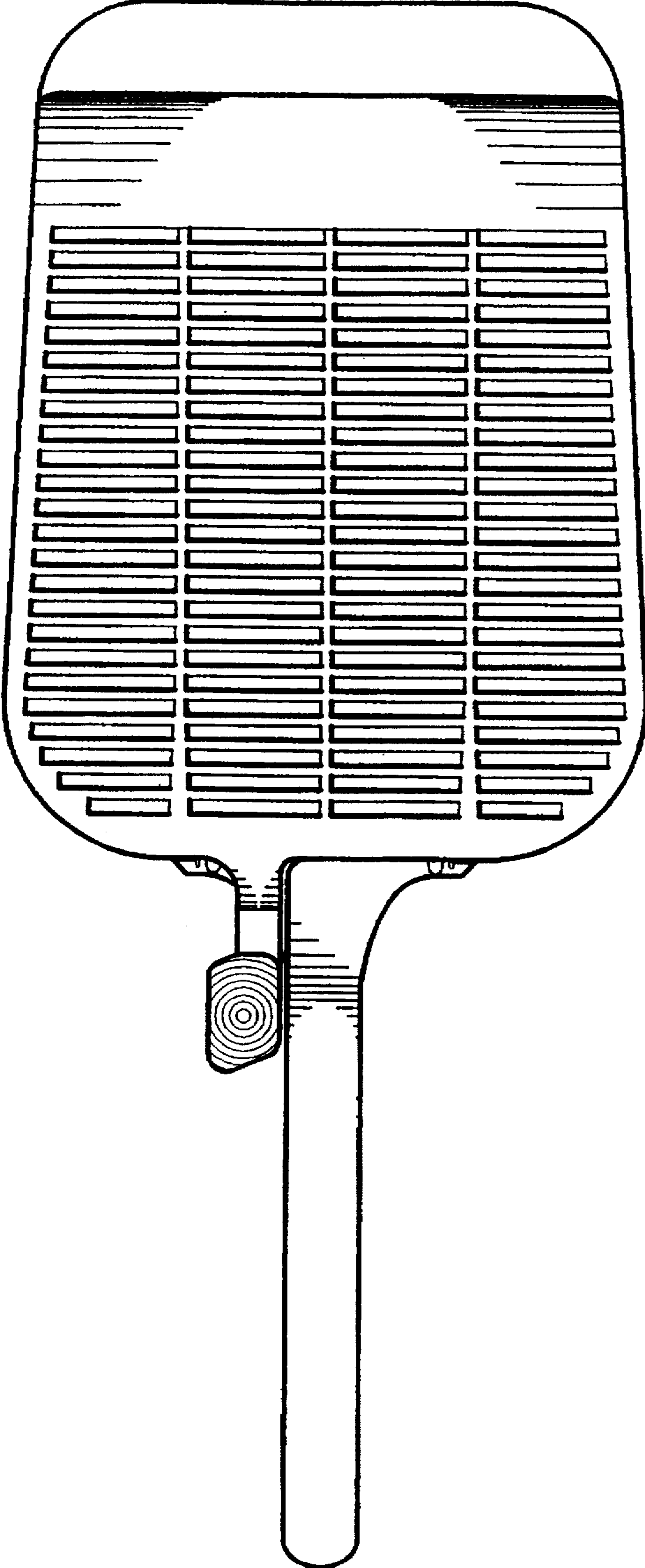


FIGURE 2

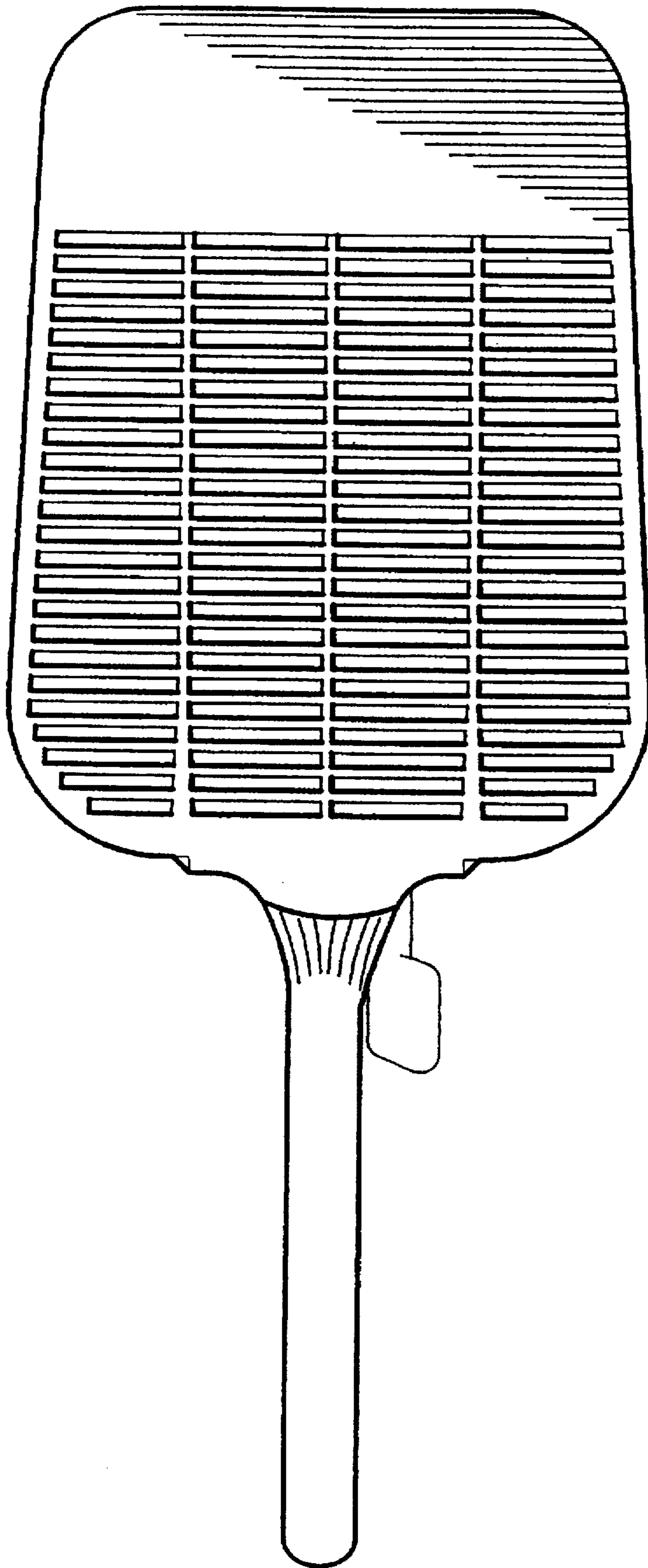


FIGURE 3

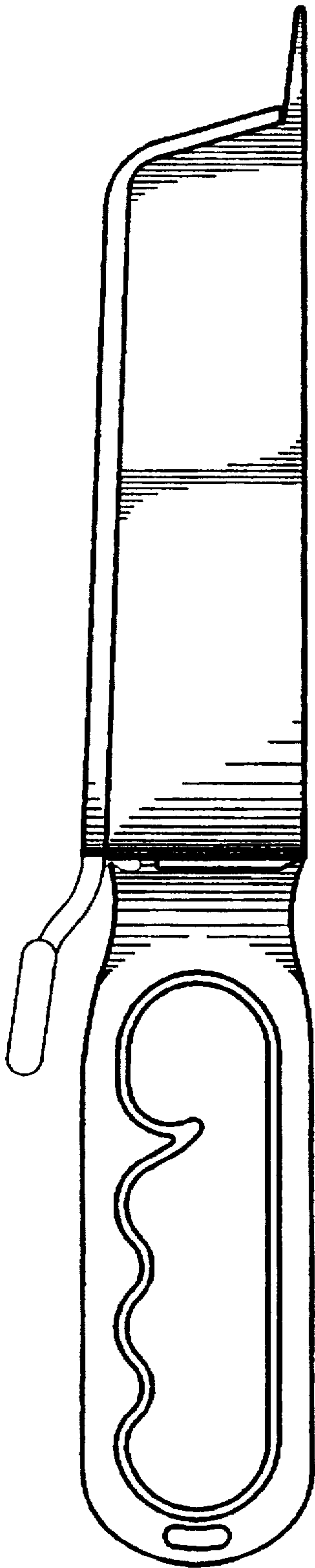


FIGURE 4

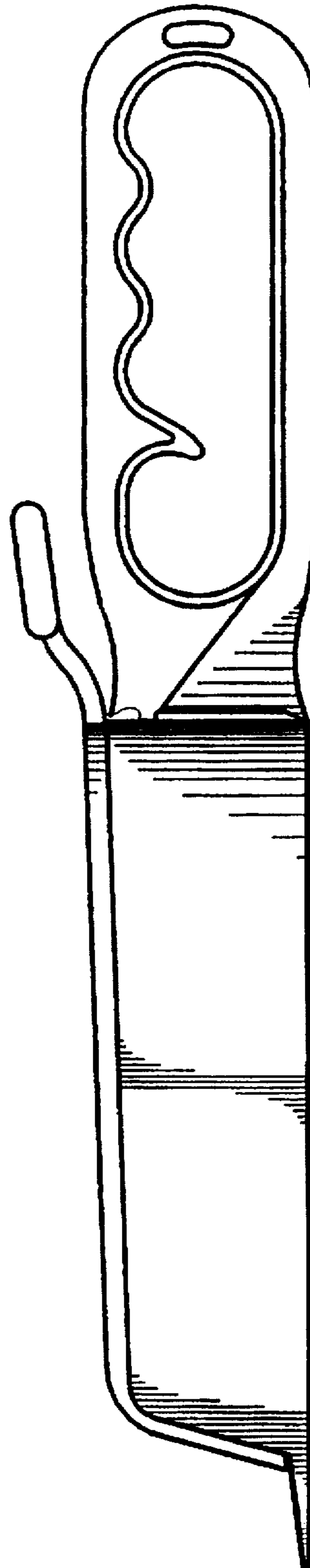


FIGURE 5

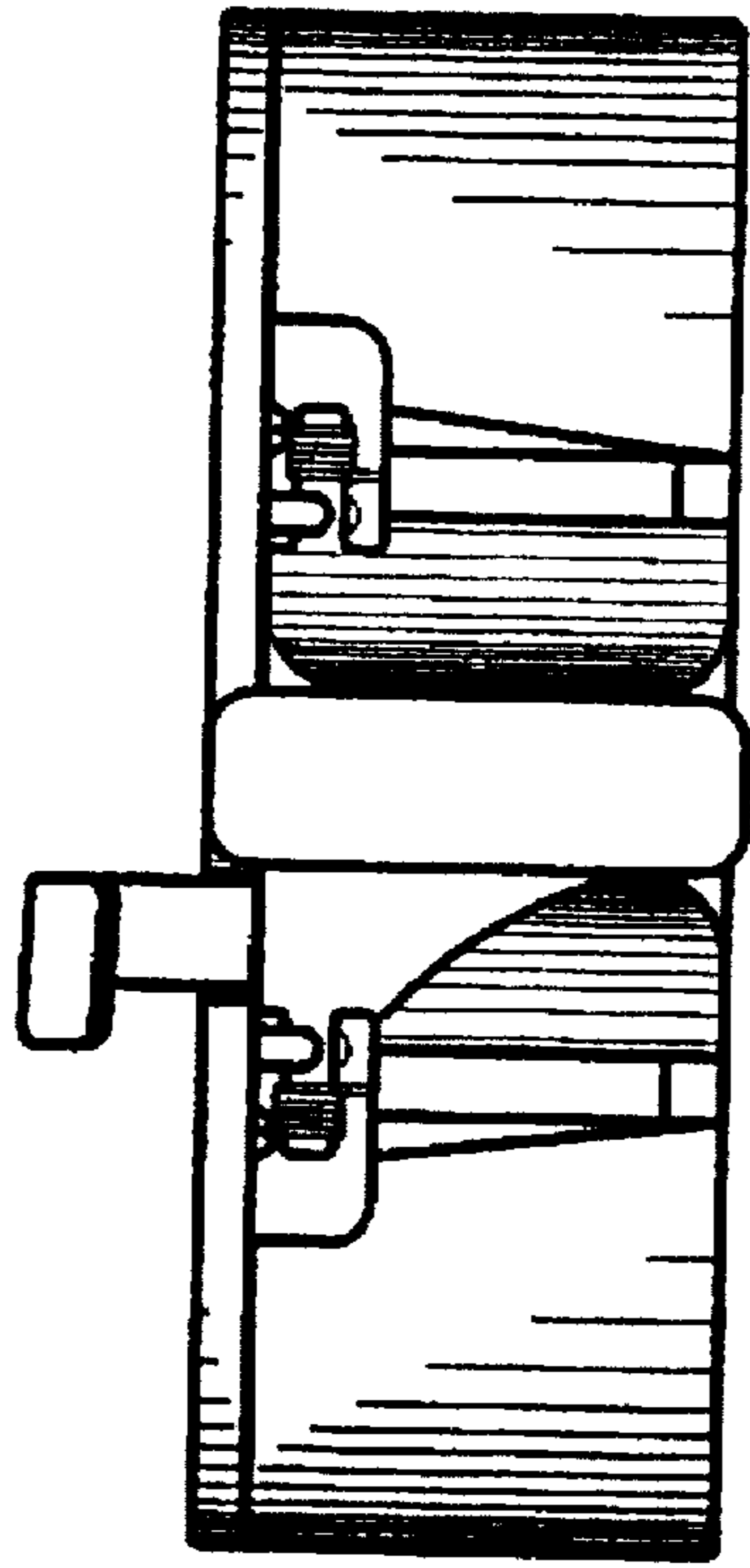


FIGURE 7

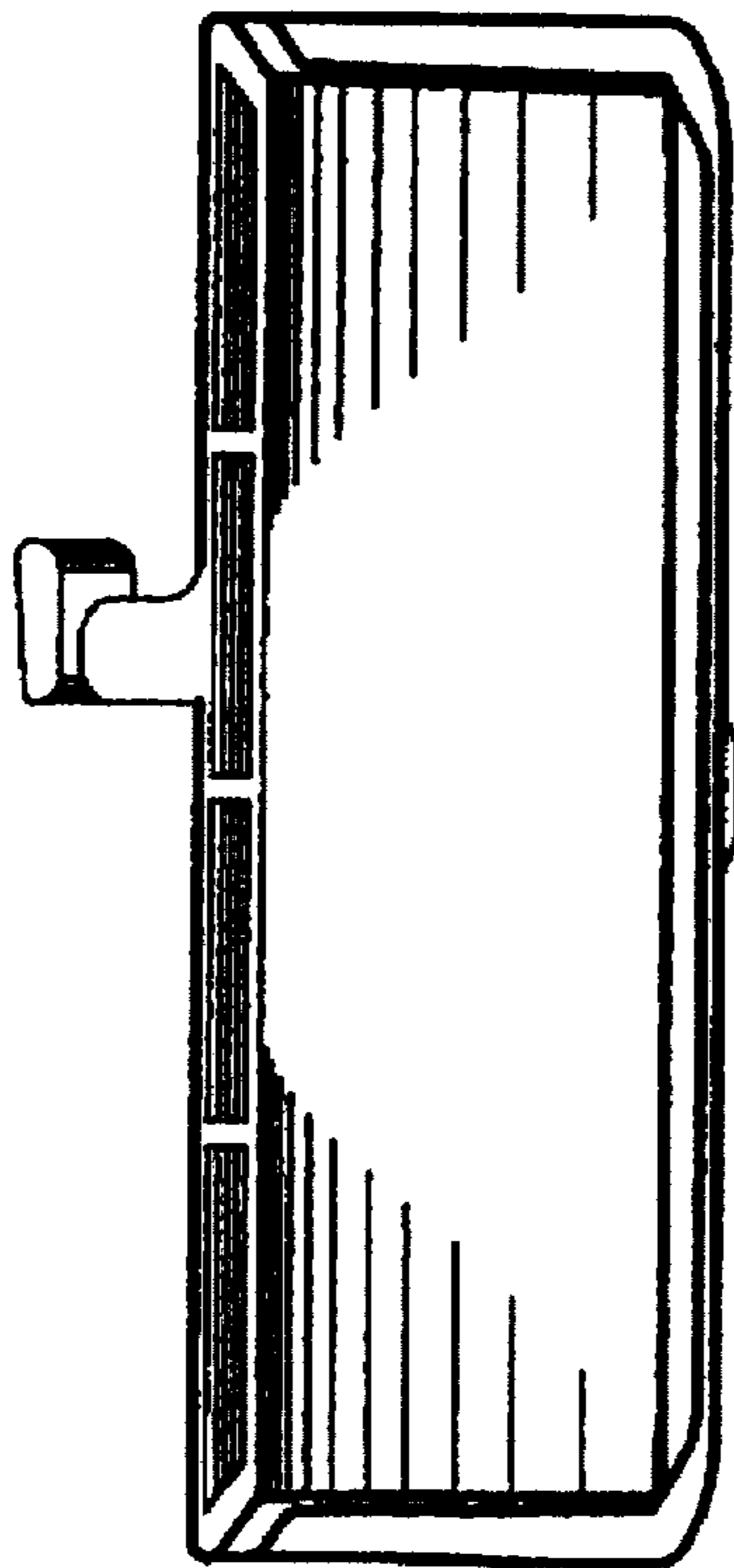


FIGURE 6