



US00D389526S

**United States Patent** [19]  
**Callas**

[11] **Patent Number: Des. 389,526**  
[45] **Date of Patent: \*\*Jan. 20, 1998**

[54] **ADJUSTABLE SIGN HOLDER**

[76] **Inventor: Mike T. Callas, 120 Gideons Point Rd.,  
Tonka Bay, Minn. 55331**

[\*\*] **Term: 14 Years**

[21] **Appl. No.: 51,691**

[22] **Filed: Mar. 15, 1996**

[51] **LOC (6) Cl. .... 25-01**

[52] **U.S. Cl. .... D20/43; D25/119**

[58] **Field of Search .... 40/642.02, 651,  
40/1, 646, 649, 1.6, 653, 662, 661, 647;  
D20/43, 10; 248/298.1, 297.21; D25/119**

3,743,228	7/1973	Drab .	
3,936,913	2/1976	Weissman .	
3,952,985	4/1976	Davenport .	
4,112,550	9/1978	DeWitt et al. .	
4,118,000	10/1978	Campbell .	
4,135,692	1/1979	Ferguson .	
4,174,580	11/1979	Sanders et al. ....	40/651 X
4,223,488	9/1980	Schoenung .	
4,315,611	2/1982	Hoop .	
4,318,525	3/1982	Welch .	
4,392,316	7/1983	Thomas .	
4,564,165	1/1986	Grant et al. .	
4,667,913	5/1987	Peelle et al. .	
4,899,973	2/1990	Ishida et al. ....	248/298.1
5,188,332	2/1993	Callas .	
5,381,991	1/1995	Stocker .	
5,625,969	5/1997	Vogler ....	40/661 X

[56] **References Cited**

**U.S. PATENT DOCUMENTS**

D. 220,257	3/1971	Schooler .	
D. 240,709	7/1976	Vandenber et al. .	
D. 254,625	4/1980	Stenersen ....	D20/43
D. 283,674	5/1986	Paradis et al. .	
D. 289,251	4/1987	Joseph .	
D. 311,426	10/1990	Ytter .	
D. 311,583	10/1990	Shell .	
D. 313,654	1/1991	Shell ....	D25/119
D. 318,742	7/1991	Miller .	
D. 321,639	11/1991	Adams .	
D. 321,914	11/1991	Tam .	
D. 347,449	5/1994	Garfinkle .	
D. 348,109	6/1994	Dallaire et al. .	
D. 349,927	8/1994	Orsos ....	D20/43
D. 350,157	8/1994	Hart .	
D. 364,799	12/1995	Callas .	
D. 372,939	8/1996	Callas ....	D20/43
1,417,325	5/1922	Hoop .	
1,717,156	6/1929	Johansson .	
2,704,409	3/1955	Randall .	
2,809,017	10/1957	Wong .	

**FOREIGN PATENT DOCUMENTS**

1030537 5/1958 Germany .

*Primary Examiner*—Susan J. Lucas  
*Assistant Examiner*—Jennifer Regester  
*Attorney, Agent, or Firm*—Burd, Bartz & Gutenkauf

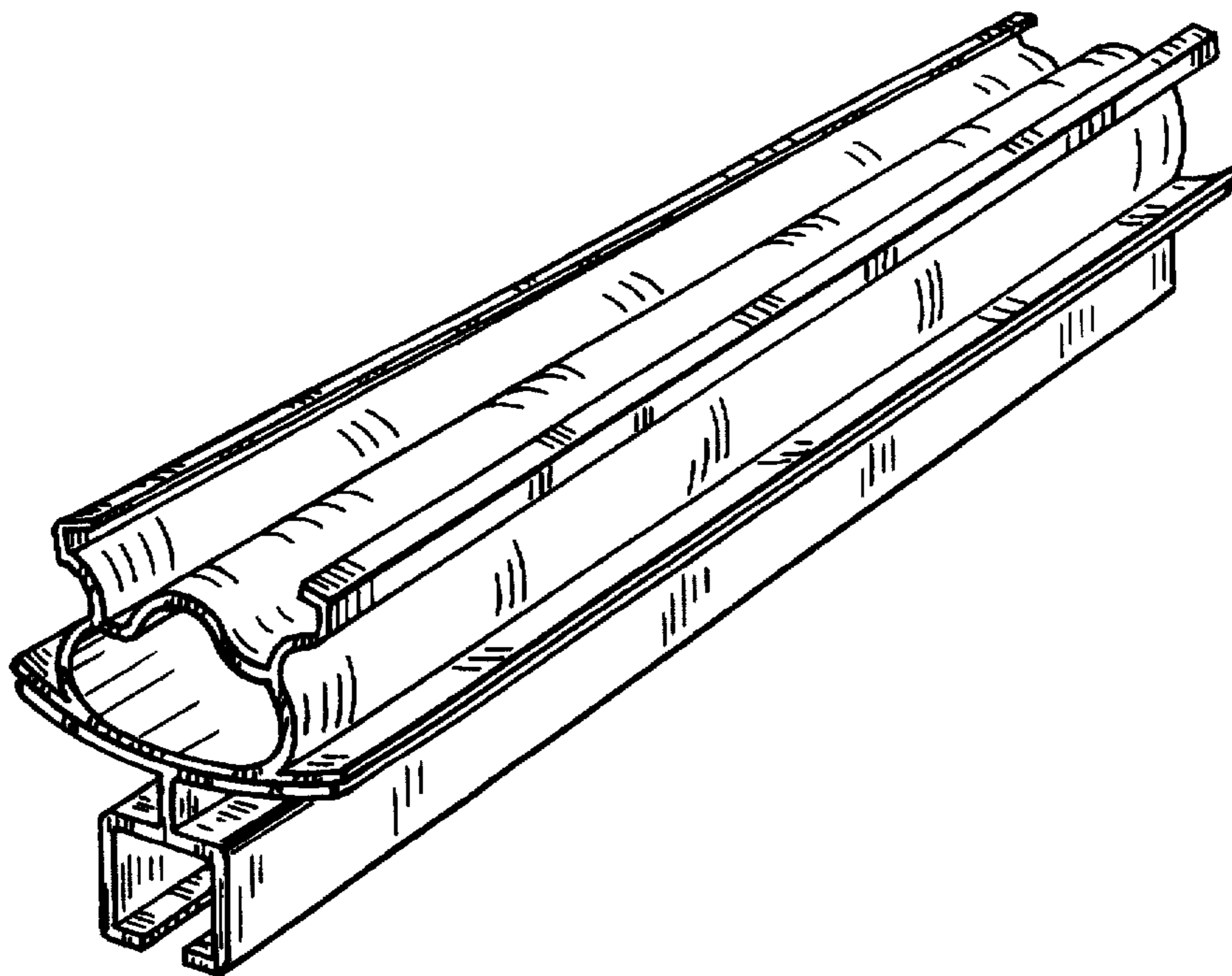
[57] **CLAIM**

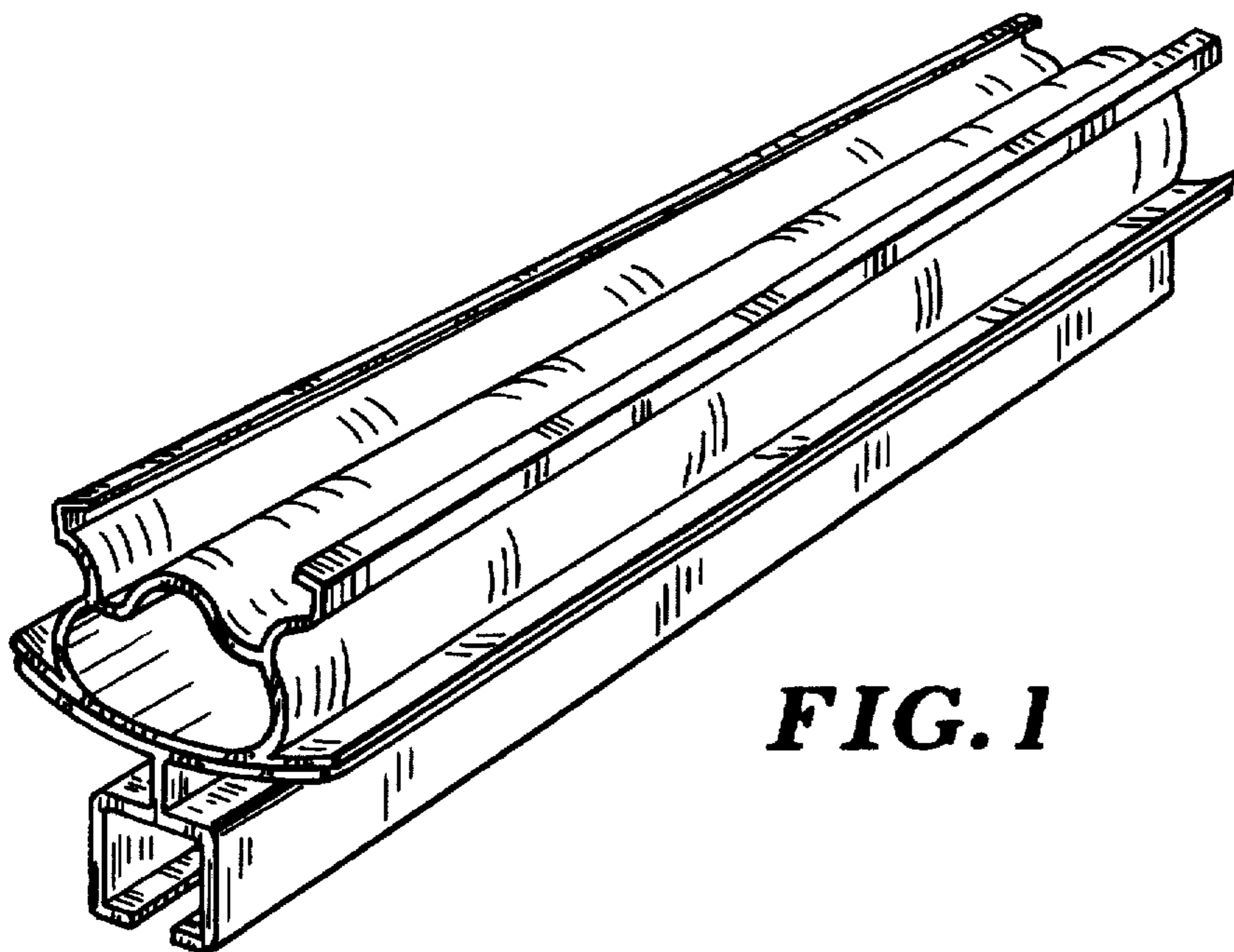
The ornamental design of an adjustable sign holder, as shown and described.

**DESCRIPTION**

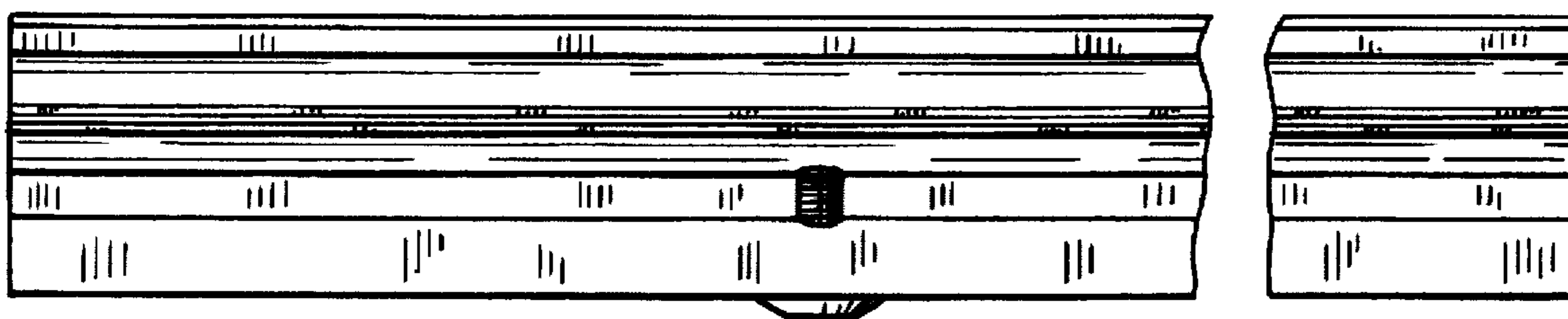
FIG. 1 is a perspective view of the adjustable sign holder of my new design;  
FIG. 2 is a foreshortened side elevational view thereof; the opposite side elevational view being a mirror image thereof;  
FIG. 3 is a foreshortened top plan view thereof;  
FIG. 4 is a foreshortened bottom plan view thereof; and,  
FIG. 5 is an enlarged end elevational view thereof; the opposite end elevational view being a mirror image thereof.

**1 Claim, 2 Drawing Sheets**

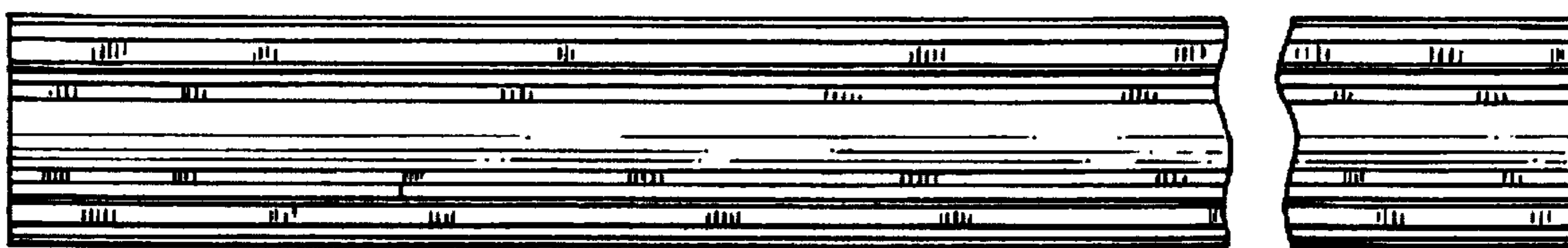




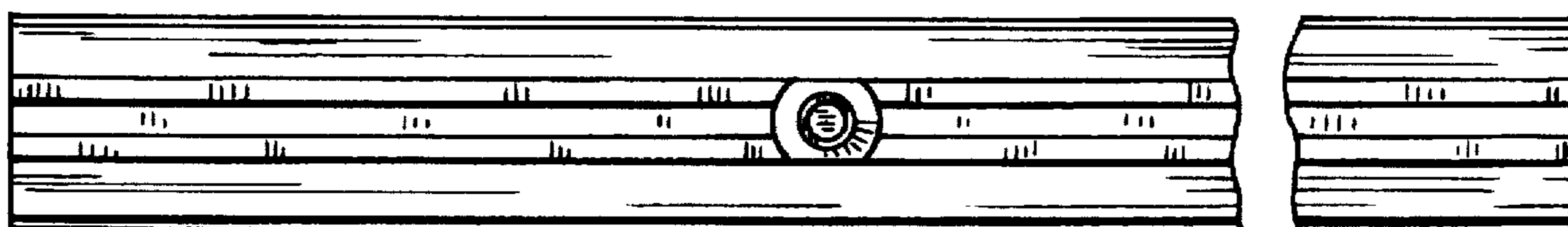
**FIG. 1**



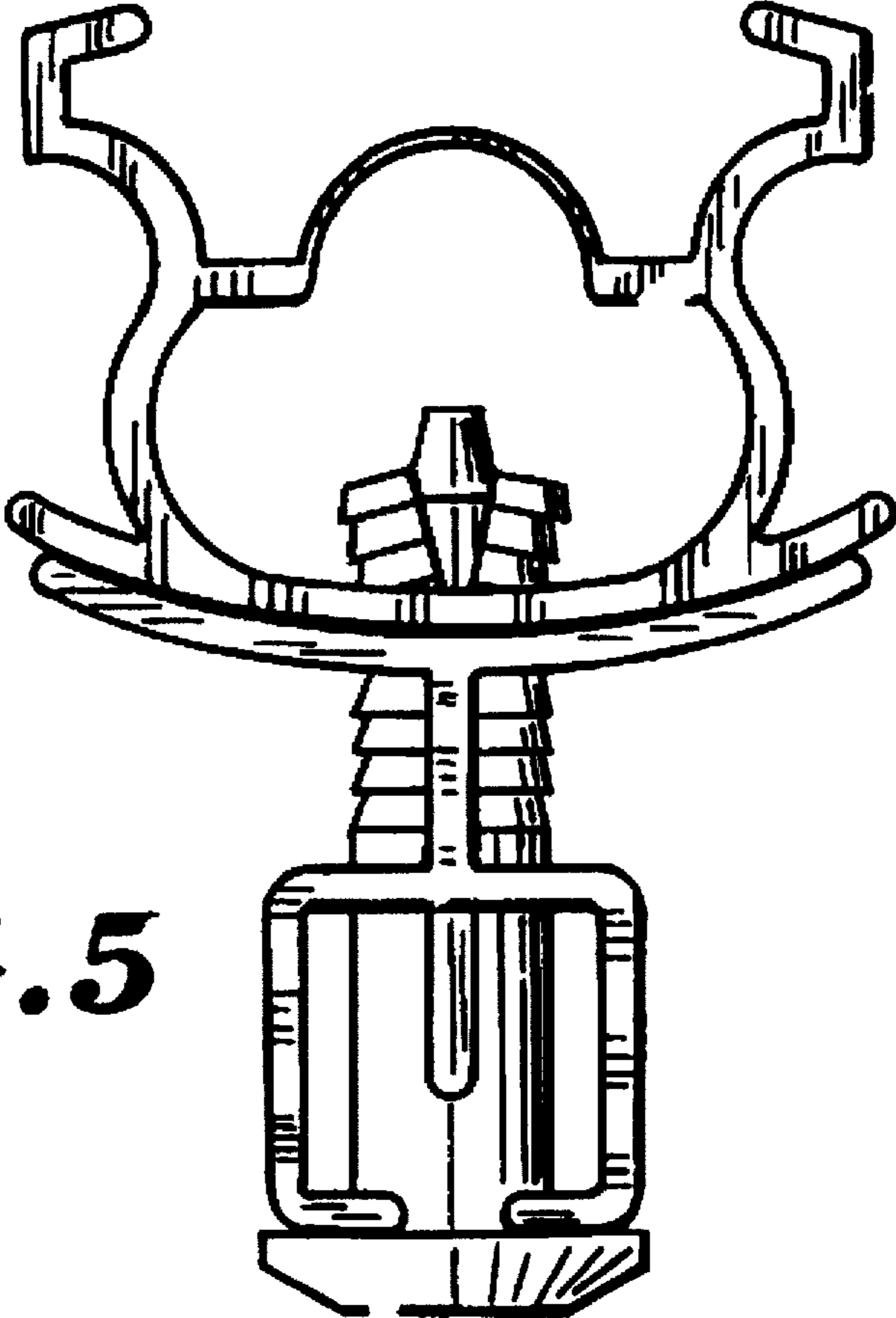
**FIG. 2**



**FIG. 3**



**FIG. 4**



**FIG. 5**