



US00D389525S

**United States Patent** [19]  
**Prokes**

[11] **Patent Number:** **Des. 389,525**  
[45] **Date of Patent:** **\*\*Jan. 20, 1998**

[54] **DEPENDINGLY SUPPORTED SIGN**

[76] **Inventor:** **William J. Prokes**, 826 E. Dava Dr.,  
Tempe, Ariz. 85283

[\*\*] **Term:** **14 Years**

[21] **Appl. No.:** **68,417**

[22] **Filed:** **Apr. 3, 1997**

[51] **LOC (6) Cl.** ..... **20-02**

[52] **U.S. Cl.** ..... **D20/42**

[58] **Field of Search** ..... **D20/42, 10, 43;**  
**40/584, 605, 617, 619**

*Primary Examiner*—Susan J. Lucas  
*Assistant Examiner*—Jennifer Register  
*Attorney, Agent, or Firm*—Cahill, Sutton & Thomas P.L.C.

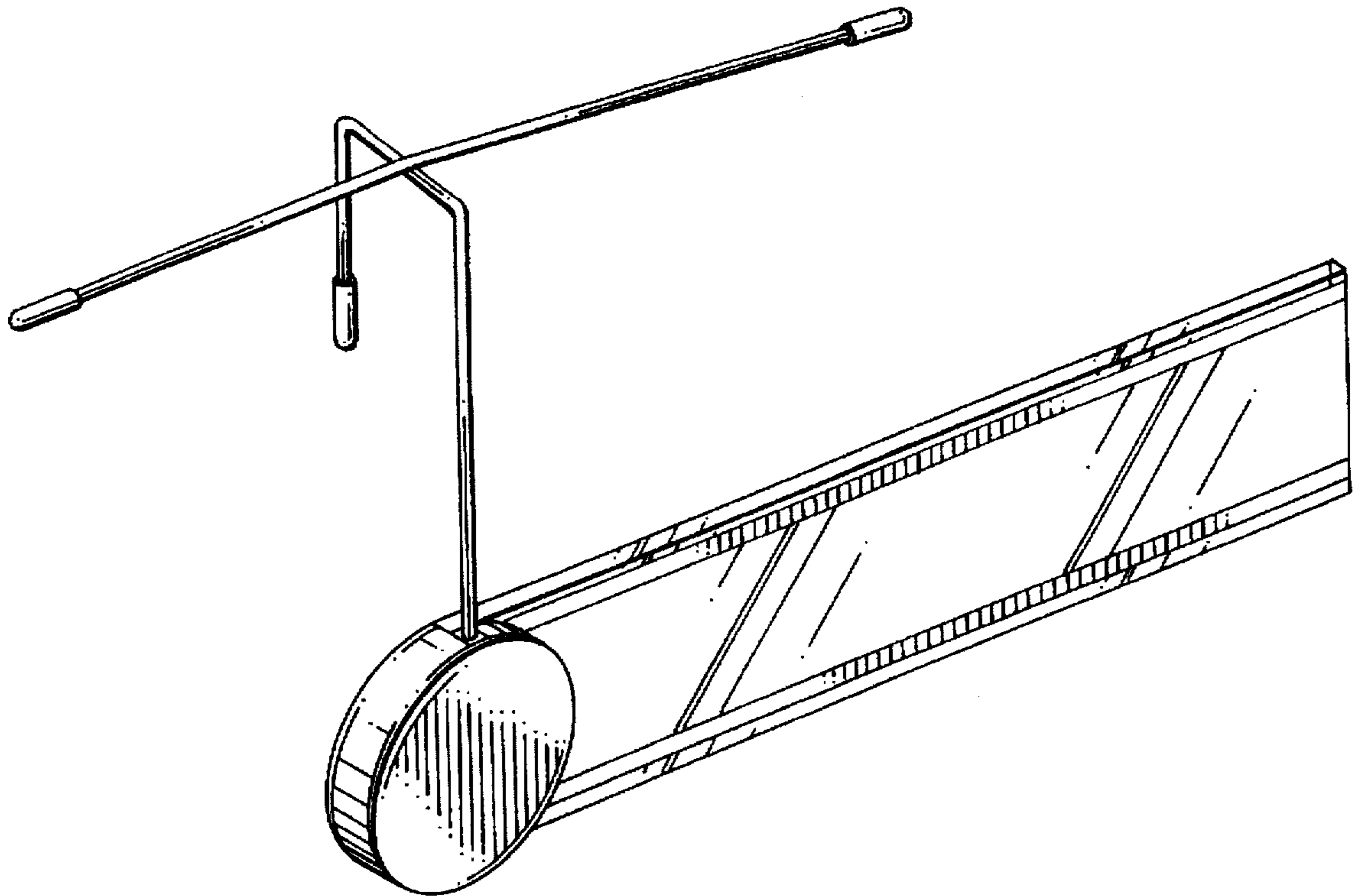
[57] **CLAIM**

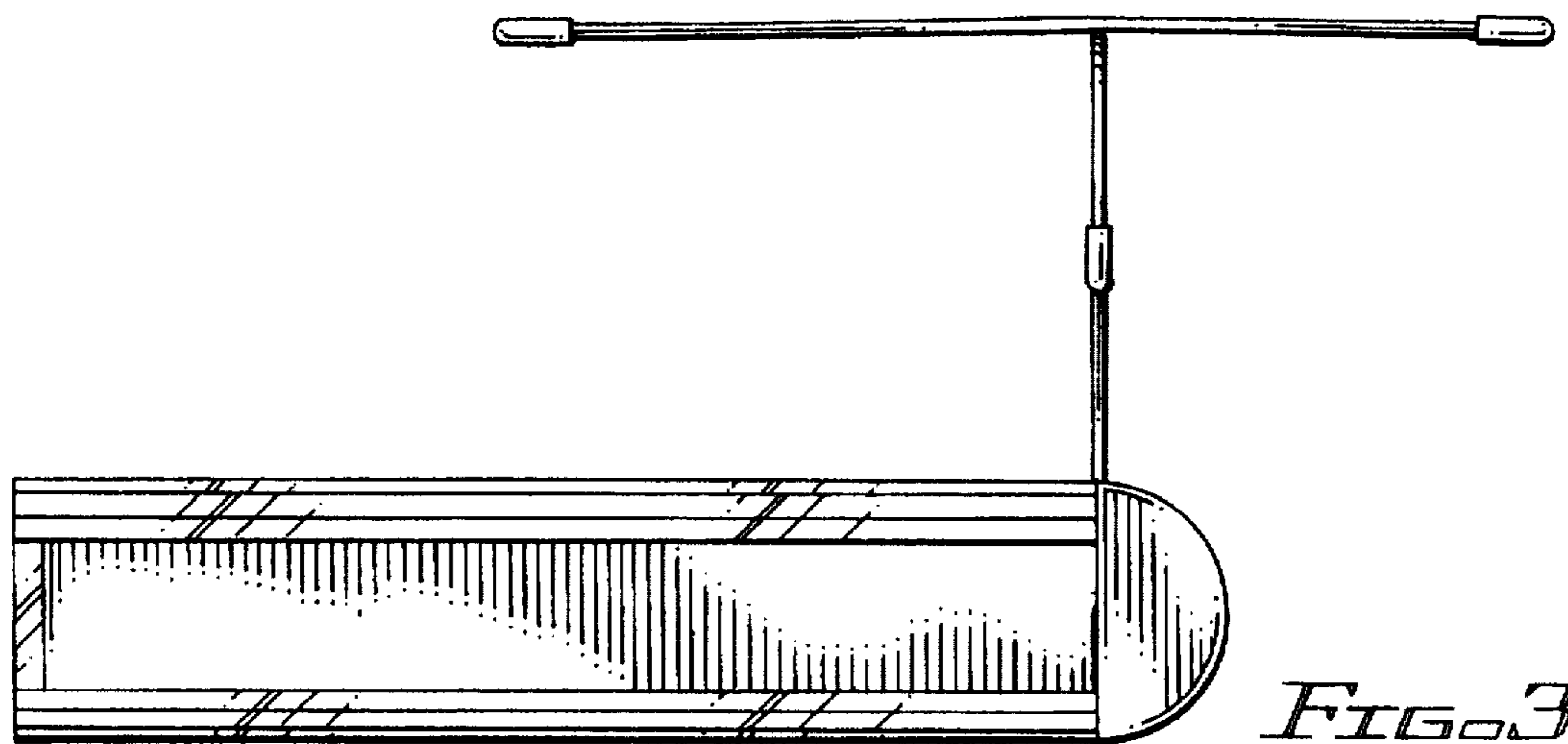
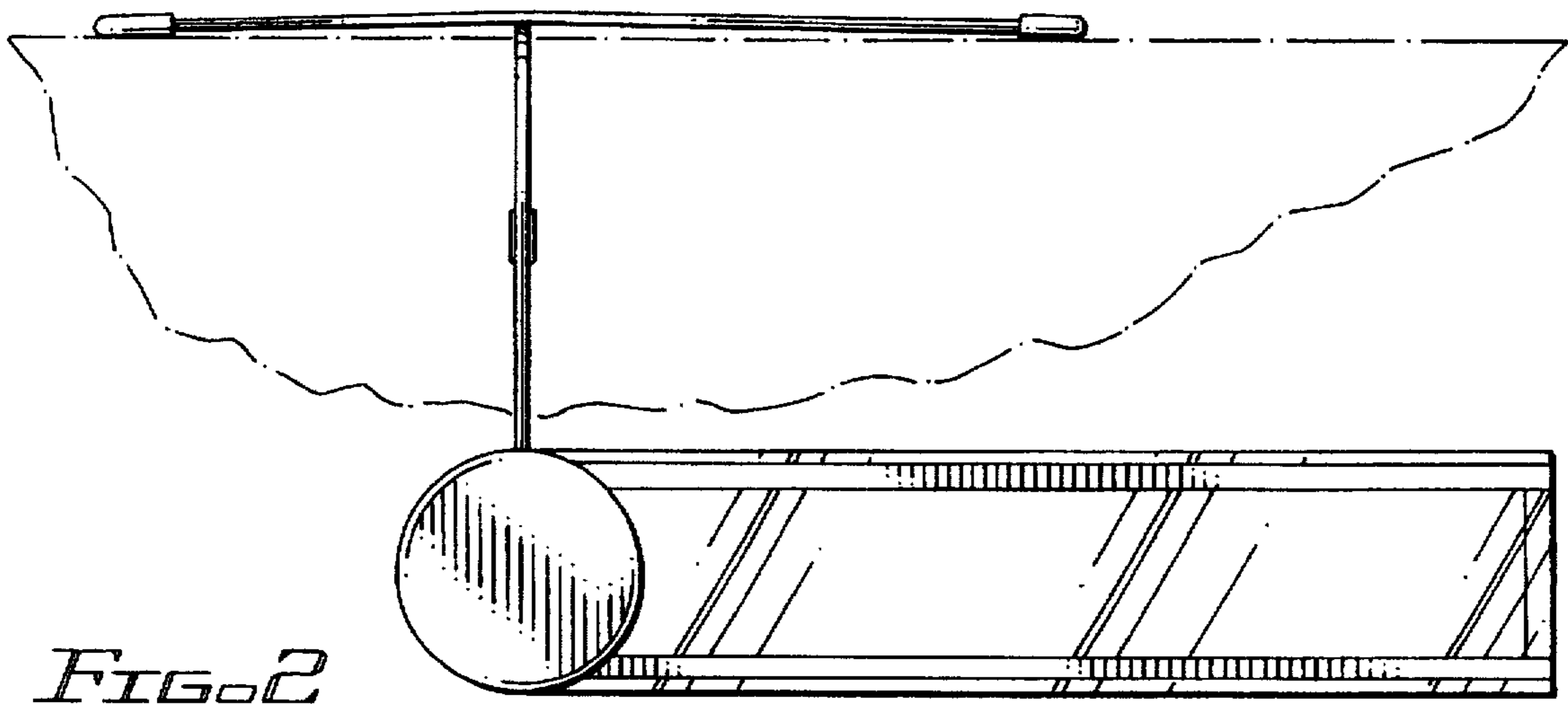
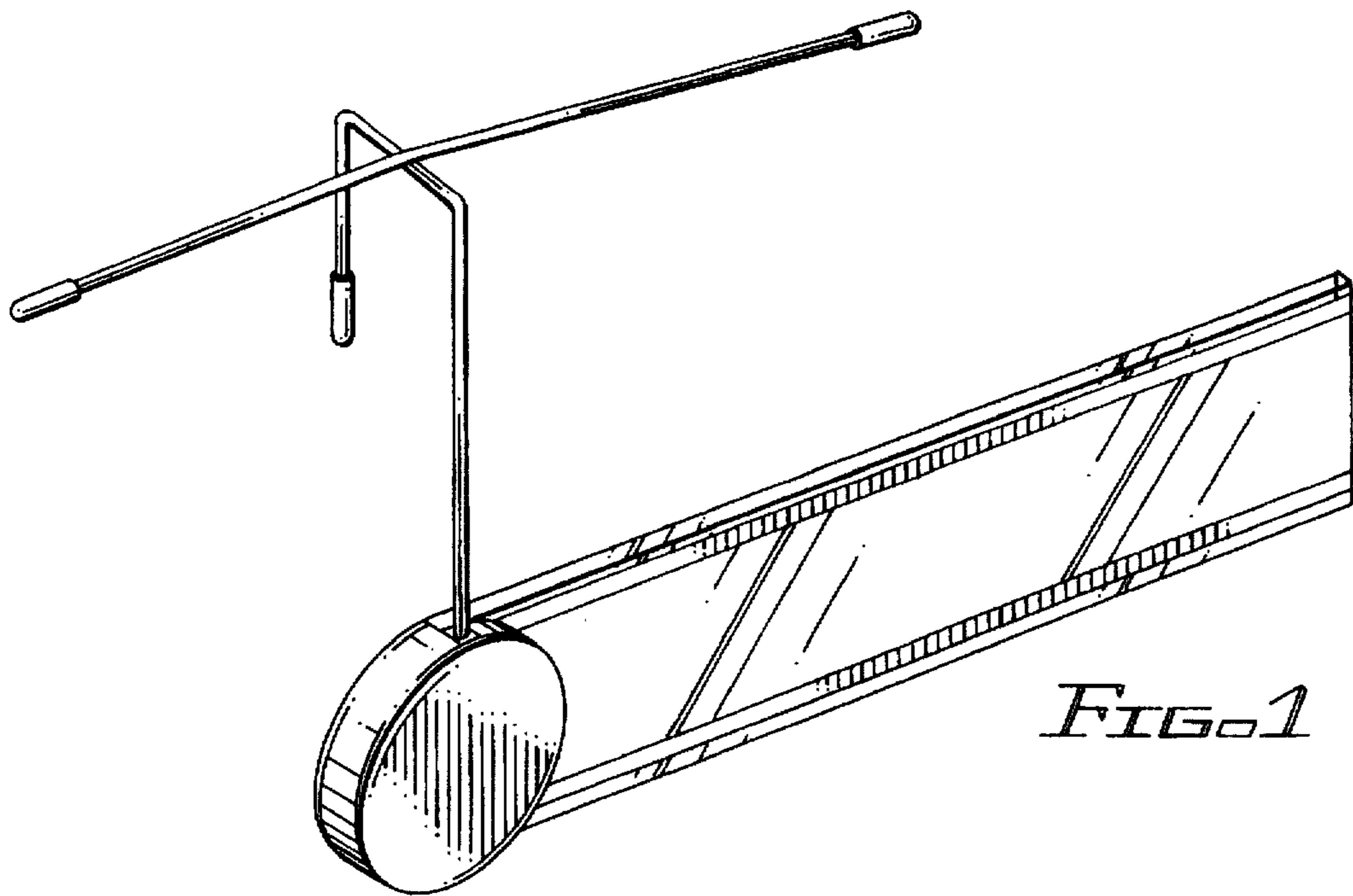
The ornamental design for a dependingly supported sign, as shown and described.

**DESCRIPTION**

FIG. 1 is a left front perspective view of a dependingly supported sign showing my new design;  
FIG. 2 is a front elevational view thereof with a supporting panel being shown in dashed lines;  
FIG. 3 is a rear elevational view thereof;  
FIG. 4 is a left elevational view thereof with a supporting panel being shown in dashed lines;  
FIG. 5 is a right elevational view thereof;  
FIG. 6 is a top plan view thereof; and,  
FIG. 7 is a bottom plan view thereof.  
The broken lines are shown for illustrative purposes only and form no part of the claimed design.

**1 Claim, 2 Drawing Sheets**





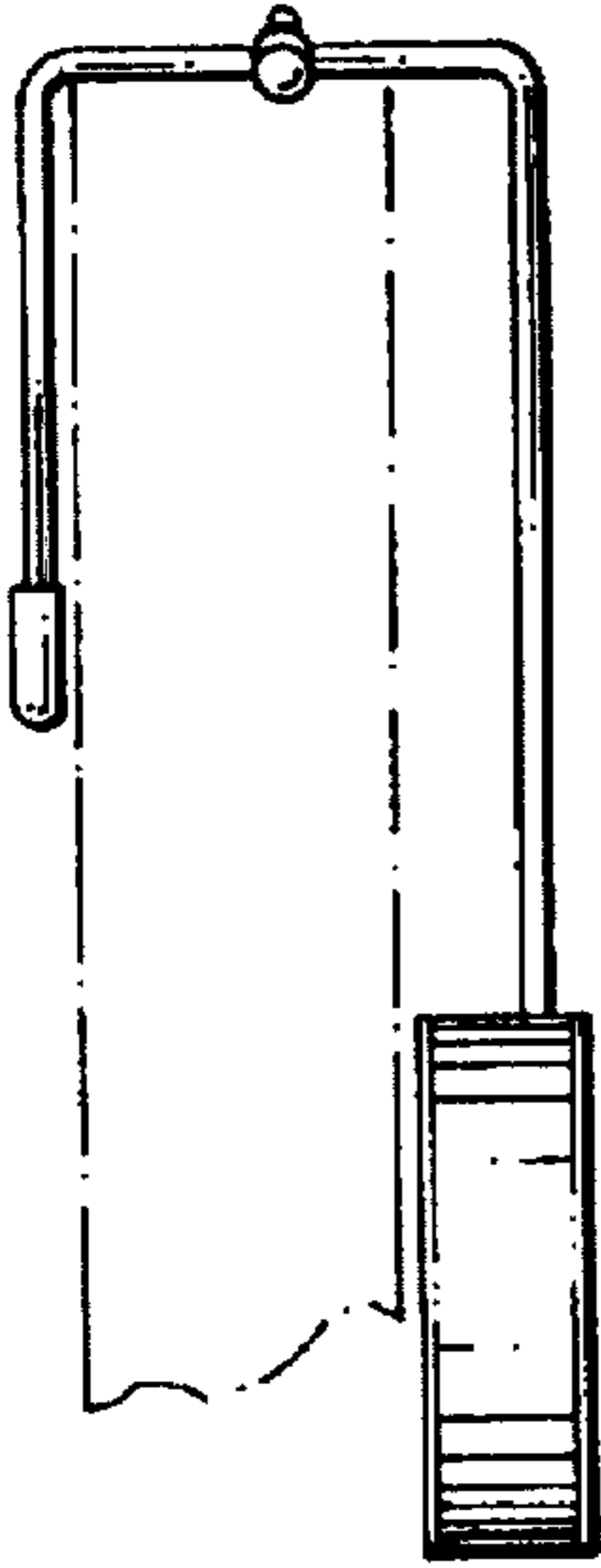


FIG. 4

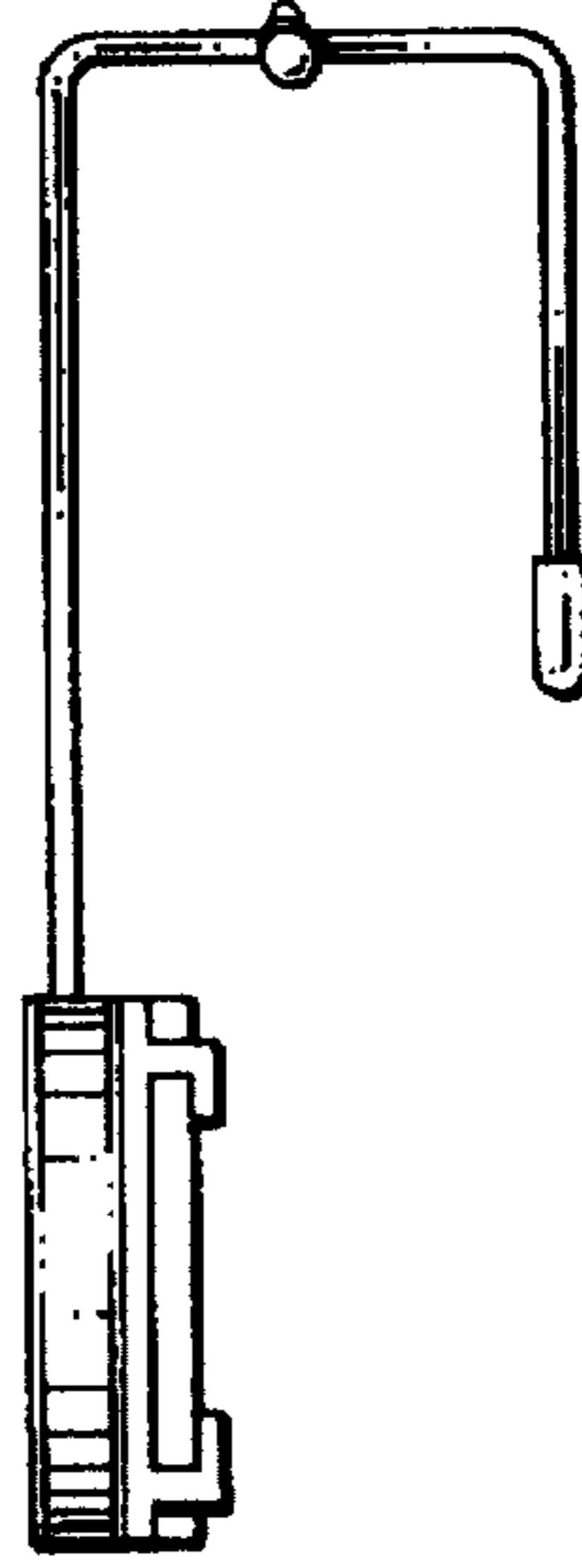


FIG. 5

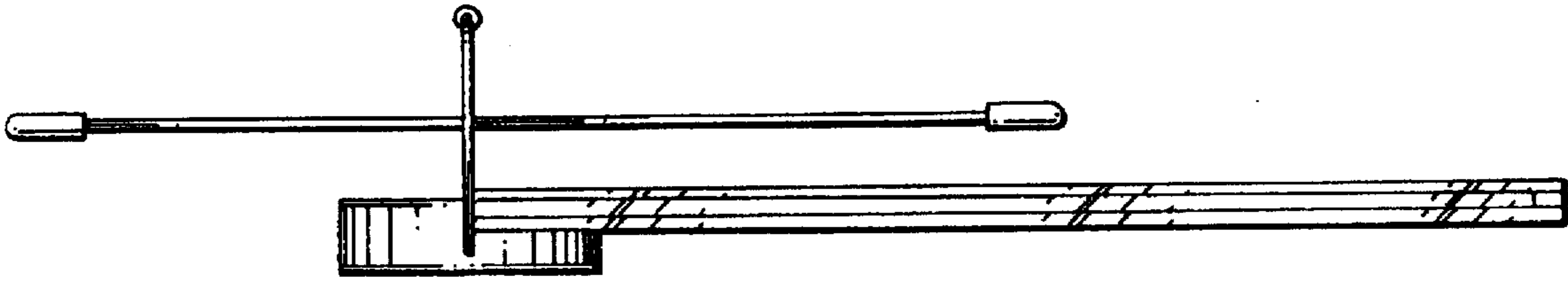


FIG. 6

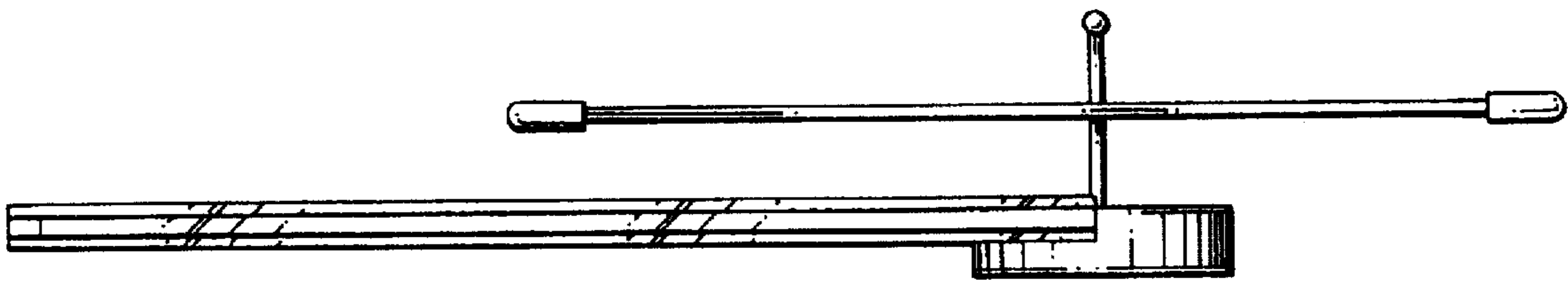


FIG. 7