



US00D389524S

United States Patent [19]
Grange

[11] **Patent Number: Des. 389,524**
[45] **Date of Patent: **Jan. 20, 1998**

[54] **DISPLAY SIGN DEVICE**
[75] **Inventor: Kenneth Henry Grange, Hampstead, United Kingdom**
[73] **Assignee: More Group PLC, London, United Kingdom**
[**] **Term: 14 Years**

[21] **Appl. No.: 57,343**
[22] **Filed: Jul. 23, 1996**
[30] **Foreign Application Priority Data**

Jan. 26, 1996 [GB] United Kingdom 2053678
[51] **LOC (6) Cl. 20-02**
[52] **U.S. Cl. D20/41**
[58] **Field of Search D20/10, 41, 39, D20/21; 40/602, 606, 605, 584, 591**

[56] **References Cited**
U.S. PATENT DOCUMENTS
D. 310,389 9/1990 Trewam D20/21 X
D. 328,143 7/1992 Elmer D20/10 X
D. 347,025 5/1994 Asselin D20/41
3,828,455 8/1974 Bentley 40/602

Primary Examiner—Susan J. Lucas
Assistant Examiner—Jennifer Register
Attorney, Agent, or Firm—Jones, Day, Reavis & Pogue

[57] **CLAIM**
The ornamental design for a display sign device, as shown.

DESCRIPTION
FIG. 1 is a front elevational view of a display sign device showing my new design;
FIG. 2 is a rear elevational view thereof;
FIG. 3 is a right side view thereof;
FIG. 4 is a left side view thereof;
FIG. 5 is a top plan view thereof;
FIG. 6 is a bottom view thereof;
FIG. 7 is a front right perspective view thereof;
FIG. 8 is a front elevational view of a second embodiment of my design;
FIG. 9 is a rear elevational view thereof;
FIG. 10 is a right side view thereof;
FIG. 11 is a left side view thereof;
FIG. 12 is a top plan view thereof;
FIG. 13 is a bottom view thereof; and,
FIG. 14 is a front right perspective view thereof.

1 Claim, 6 Drawing Sheets

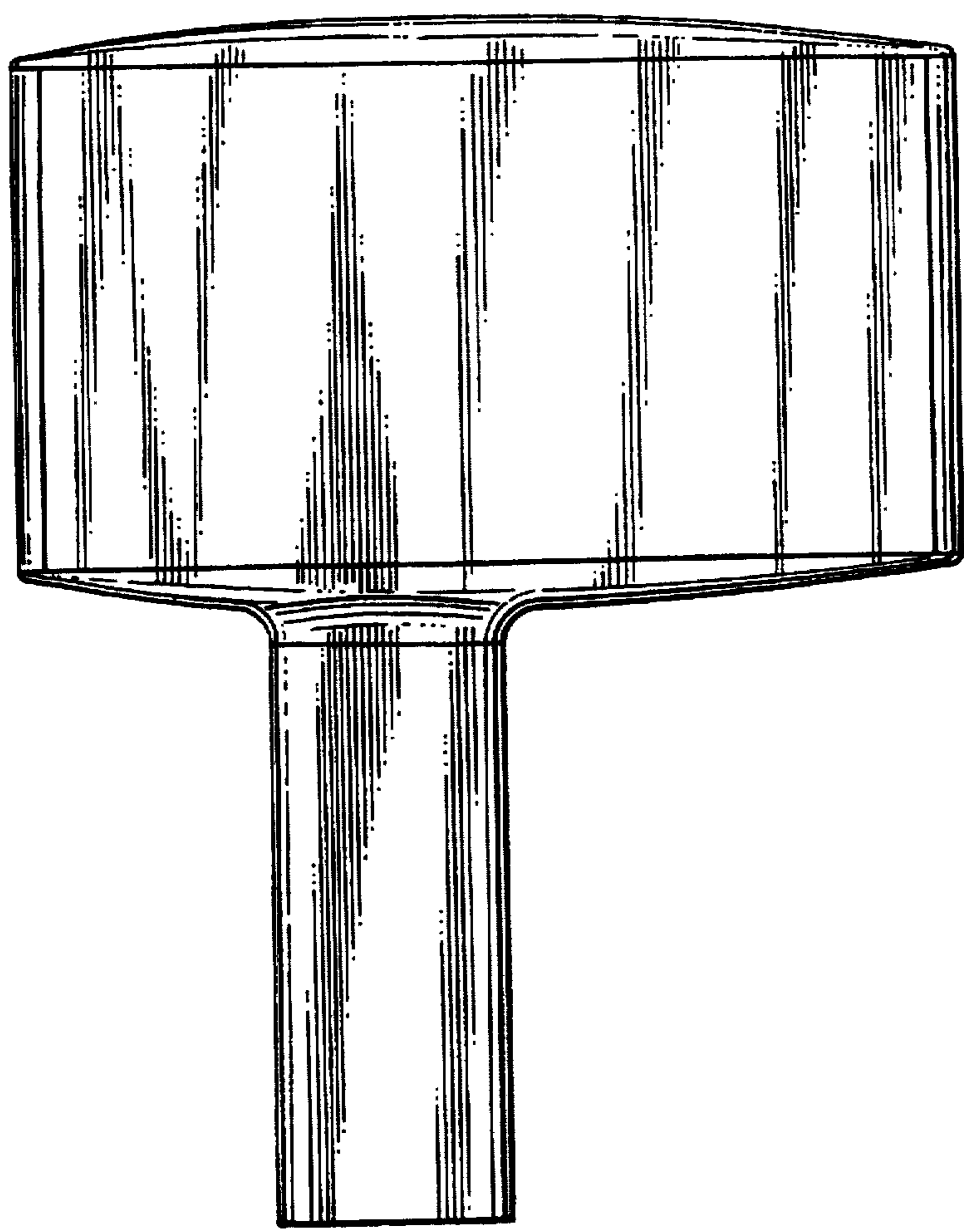


FIG. 1

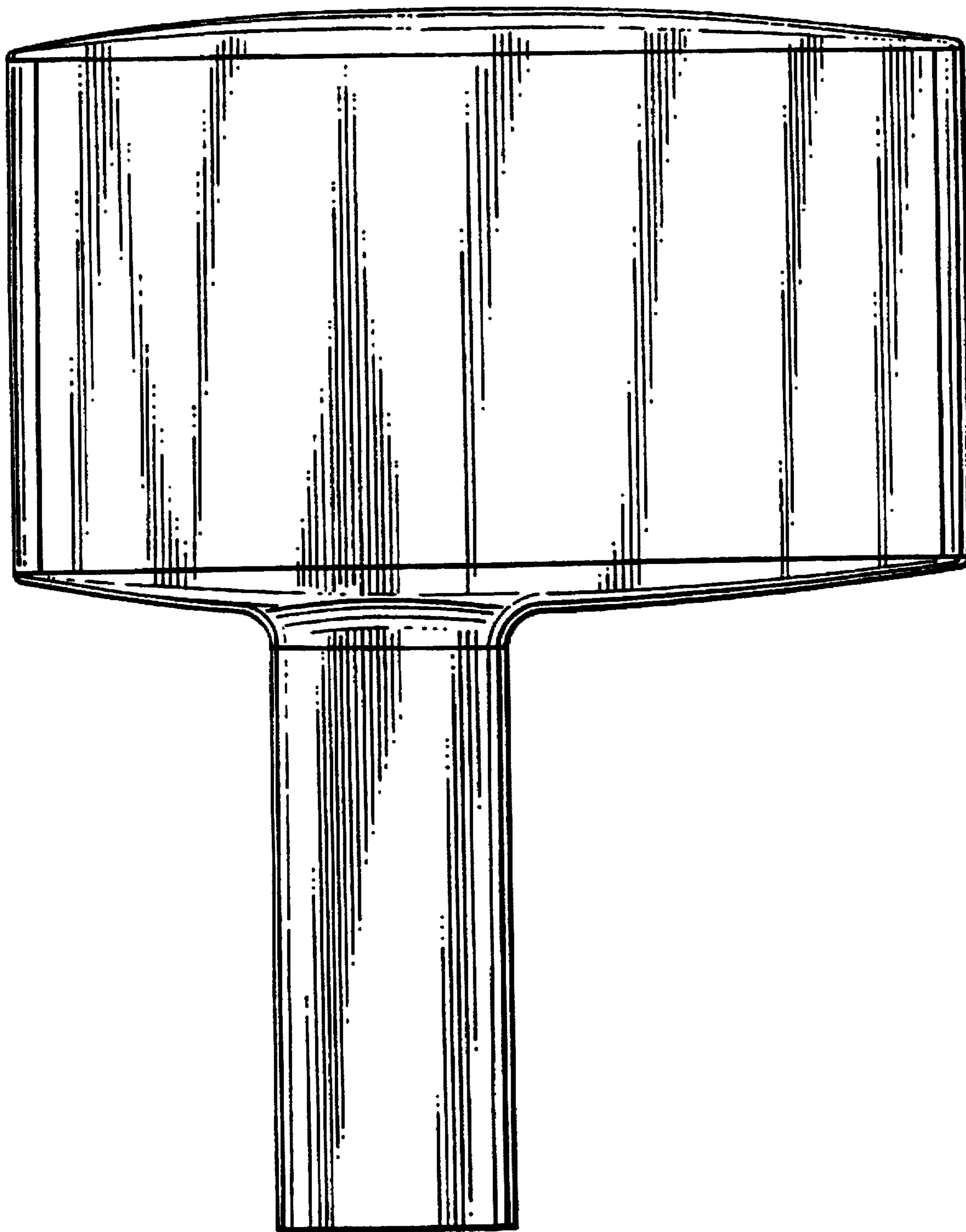


FIG. 2

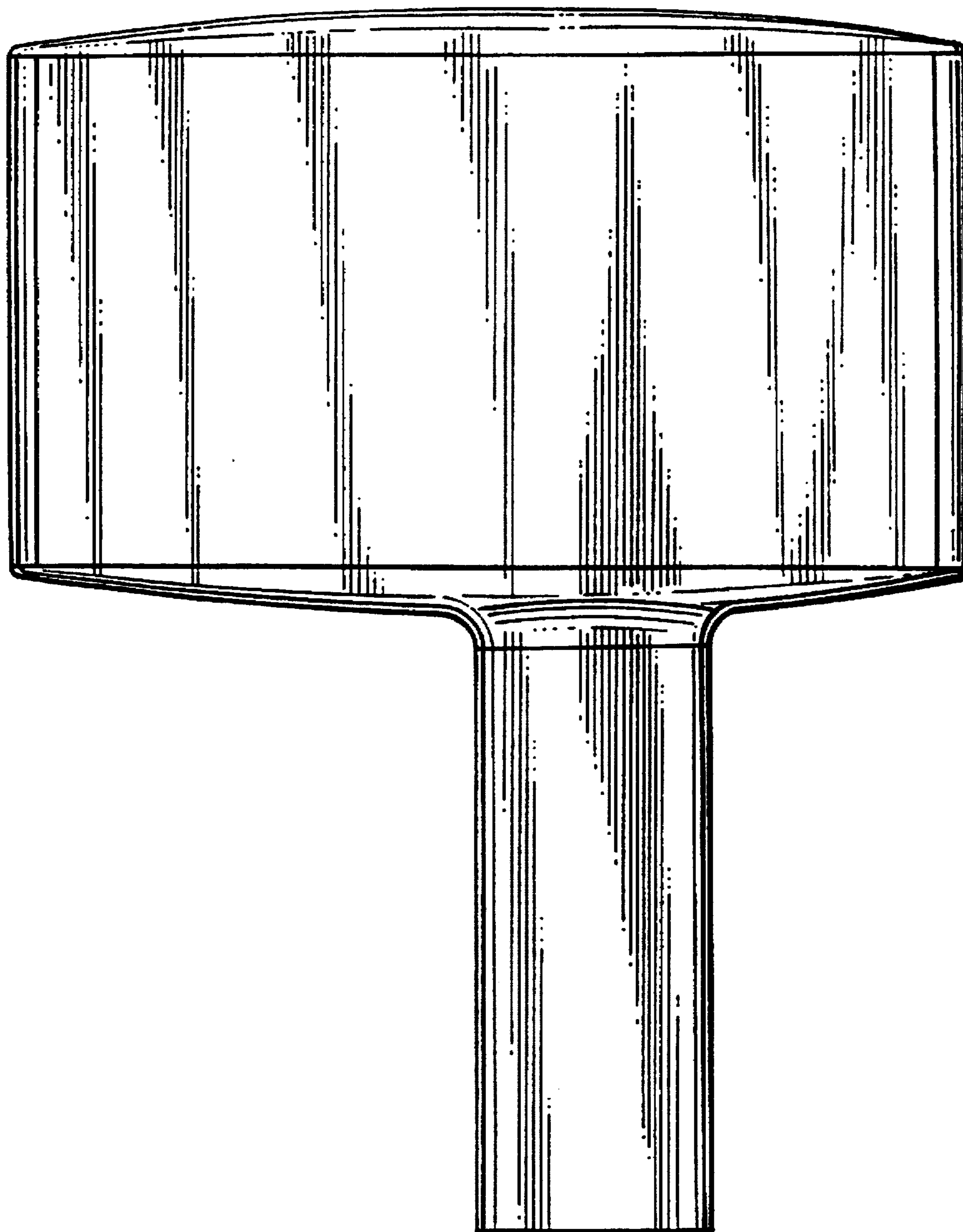




FIG. 3



FIG. 4

FIG. 5

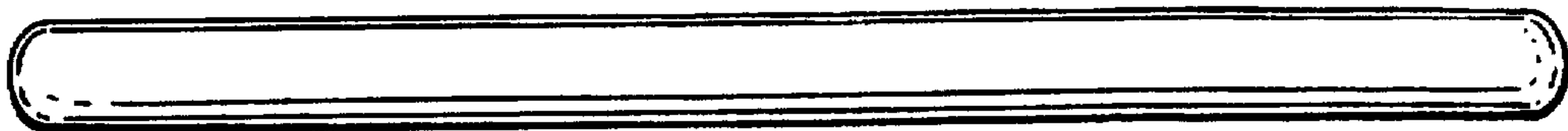
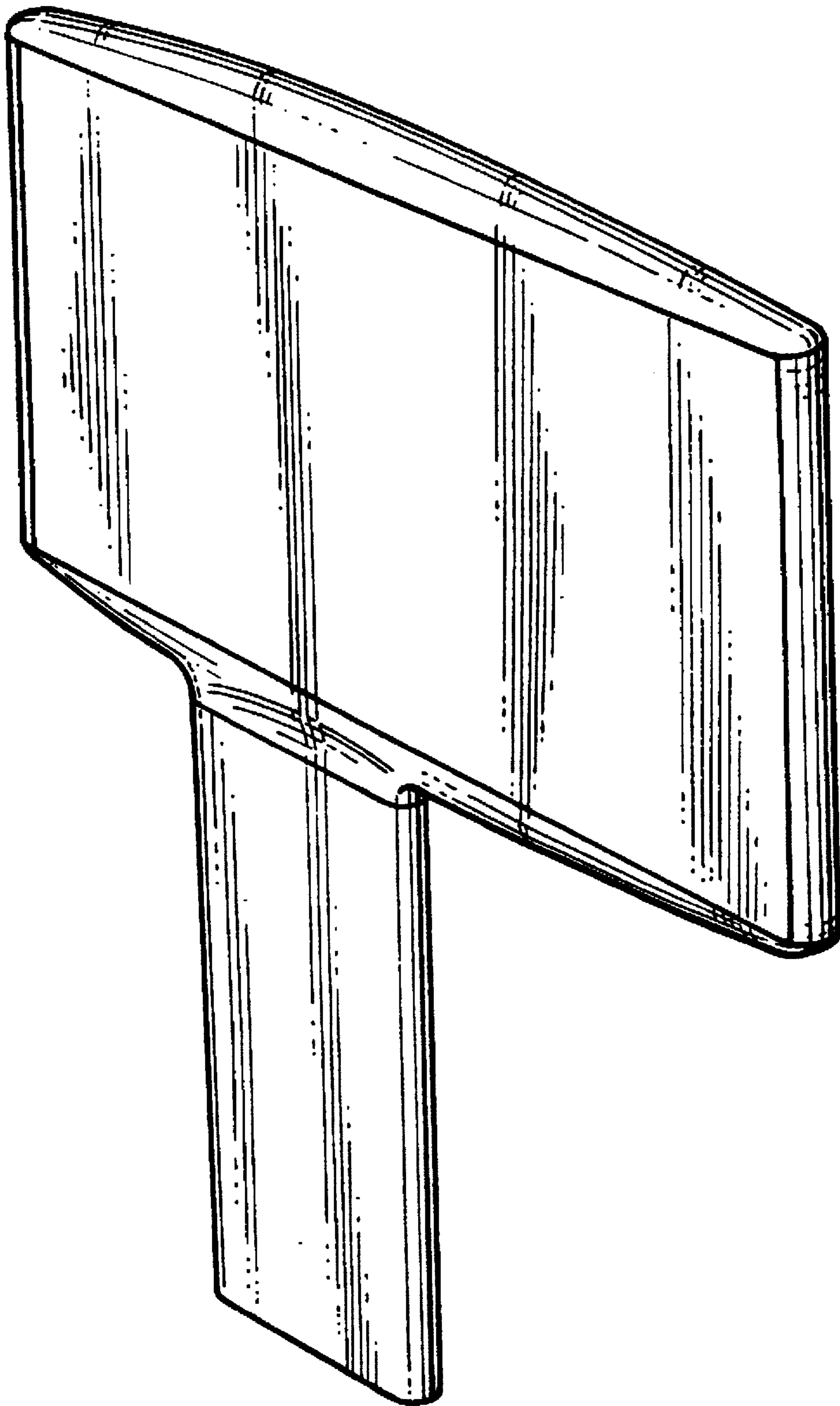


FIG. 6



FIG. 7



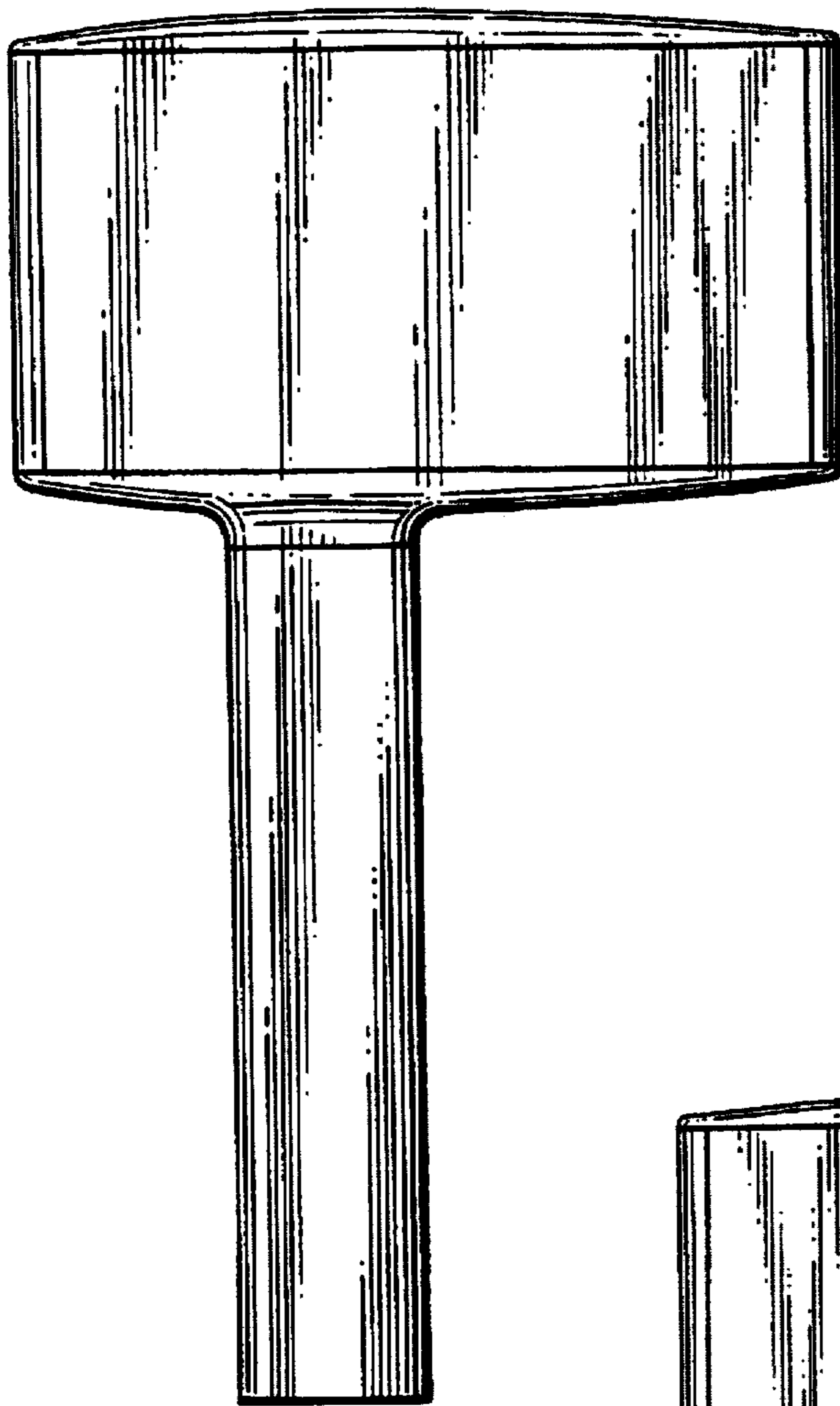


FIG. 8

FIG. 9

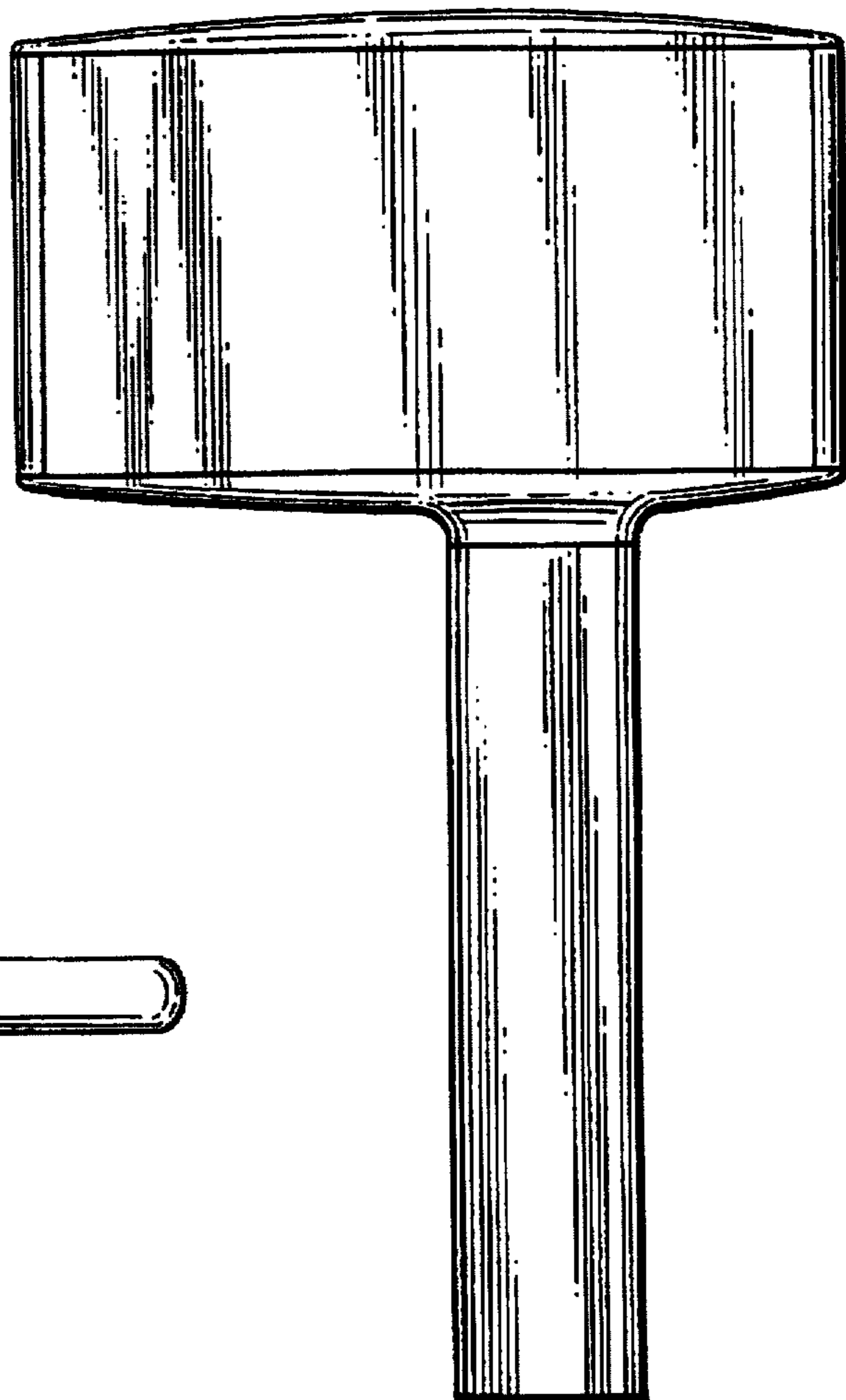


FIG. 12





FIG. 10



FIG. 11



FIG. 13

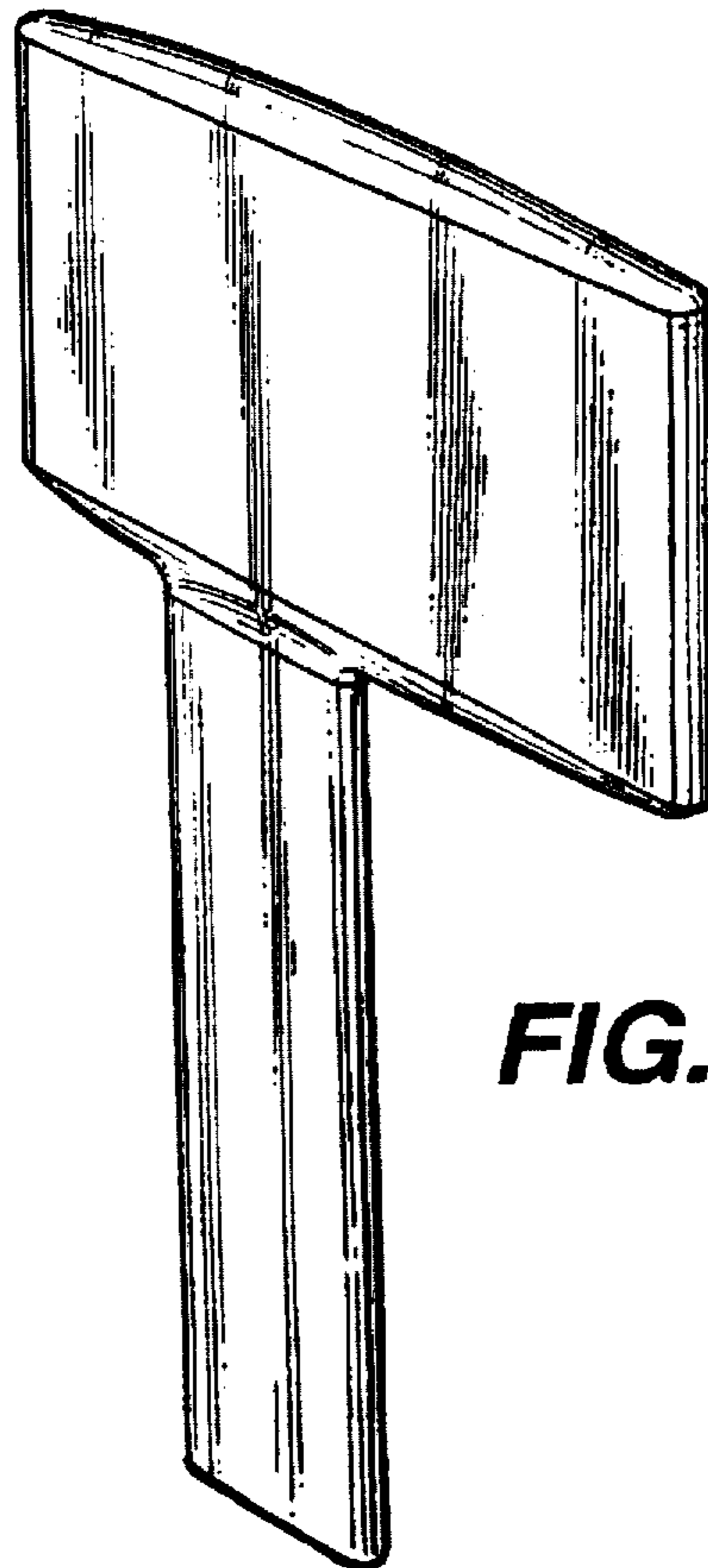


FIG. 14