

US00D389520S

United States Patent [19]
Kocon et al.

[11] **Patent Number: Des. 389,520**
[45] **Date of Patent: **Jan. 20, 1998**

[54] **MARKER HOLDER**

[75] Inventors: **Bernard J. Kocon**, Bethlehem, Pa.;
Craig R. Bures, Prospect, Conn.;
Frederick W. Kruger, Jr., Churchville, Pa.

[73] Assignee: **Binney & Smith Inc.**, Easton, Pa.

[**] Term: **14 Years**

[21] Appl. No.: **66,565**

[22] Filed: **Feb. 14, 1997**

[51] LOC (6) Cl. **19-06**

[52] U.S. Cl. **D19/85; D3/206; D19/35**

[58] Field of Search **D14/124; D19/35,**
D19/36, 65, 75, 77, 81-85, 99, 100; 206/214,
415.2, 224, 443, 371, 762; 211/69.1-69.9,
69; D3/206; 224/221, 162; 401/8, 99, 195;
D6/553

[56] **References Cited**

U.S. PATENT DOCUMENTS

D. 241,107	8/1976	Ferrara, Jr. et al.	D6/553 X
D. 256,292	8/1980	Cox	D3/206
D. 291,947	9/1987	Nakata	D3/206
D. 299,359	1/1989	Cain	D19/75
D. 365,850	1/1996	Romans	D19/36
D. 369,160	4/1996	Gotoh et al.	D14/124
2,793,617	5/1957	Palmer	224/162
4,736,838	4/1988	Nakata et al.	206/214

OTHER PUBLICATIONS

A sketch of a device used by teachers to create parallel lines on a chalkboard to write musical notes for students. The device had a wooden handle and several metal fingers. Each finger held a piece of chalk. The sketch is based upon a device seen in approximately 1972.

Primary Examiner—Martie Thompson
Attorney, Agent, or Firm—Leydig, Voit & Mayer, Ltd.

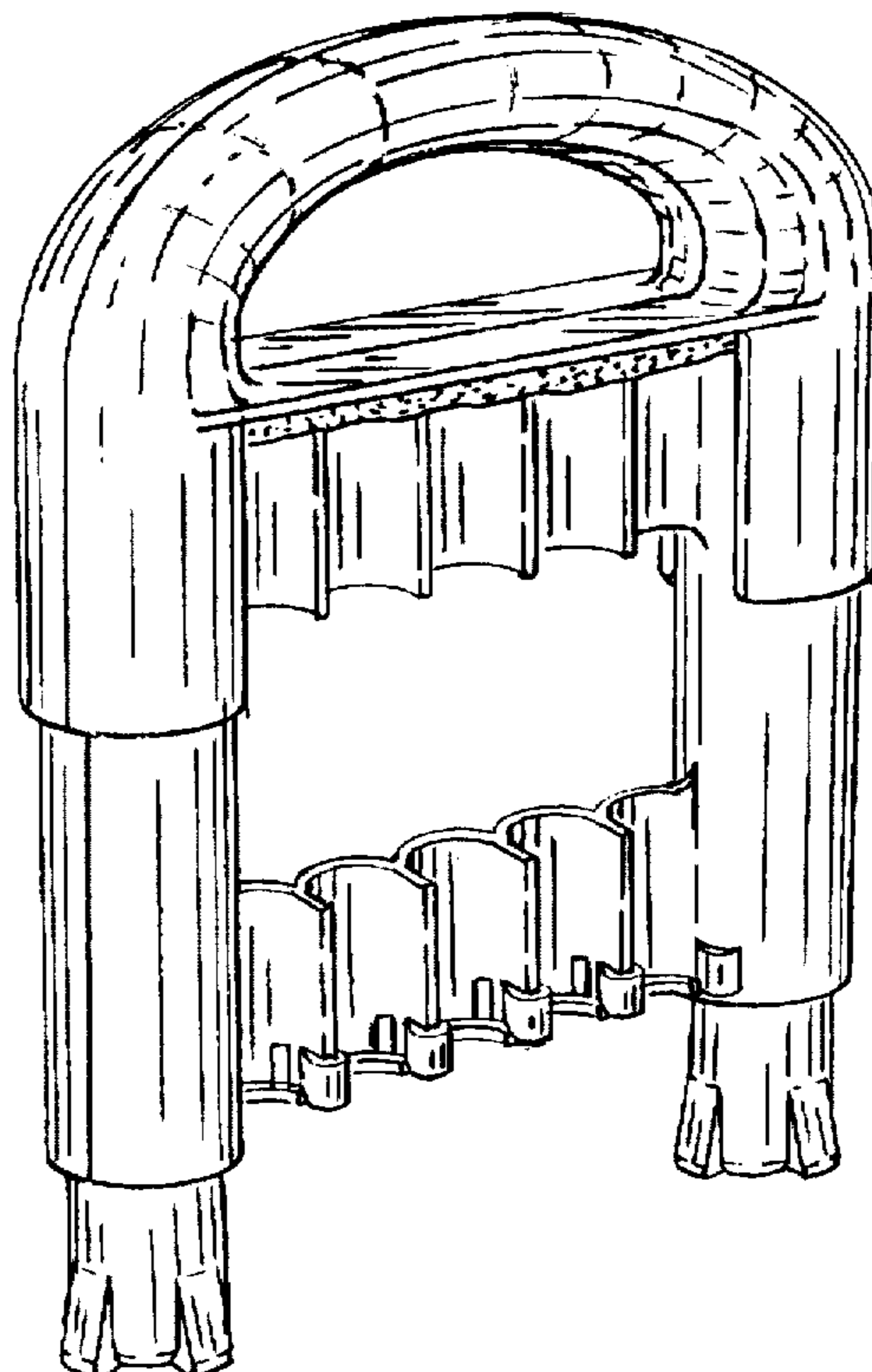
[57] **CLAIM**

The ornamental design for marker holder, as shown and described.

DESCRIPTION

FIG. 1 is a left front top perspective view of the marker holder;
FIG. 2 is a front bottom perspective view thereof;
FIG. 3 is a rear bottom perspective view thereof;
FIG. 4 is a front view thereof;
FIG. 5 is a right side view thereof;
FIG. 6 is a left side view thereof;
FIG. 7 is a rear view thereof;
FIG. 8 is a top plan view thereof;
FIG. 9 is a bottom plan view thereof;
FIG. 10 is a front bottom perspective view thereof with a stamper marker shown in broken lines.
The broken lines showing the stamper marker are for illustrative purposes only and forms no part of the claimed design.

1 Claim, 4 Drawing Sheets



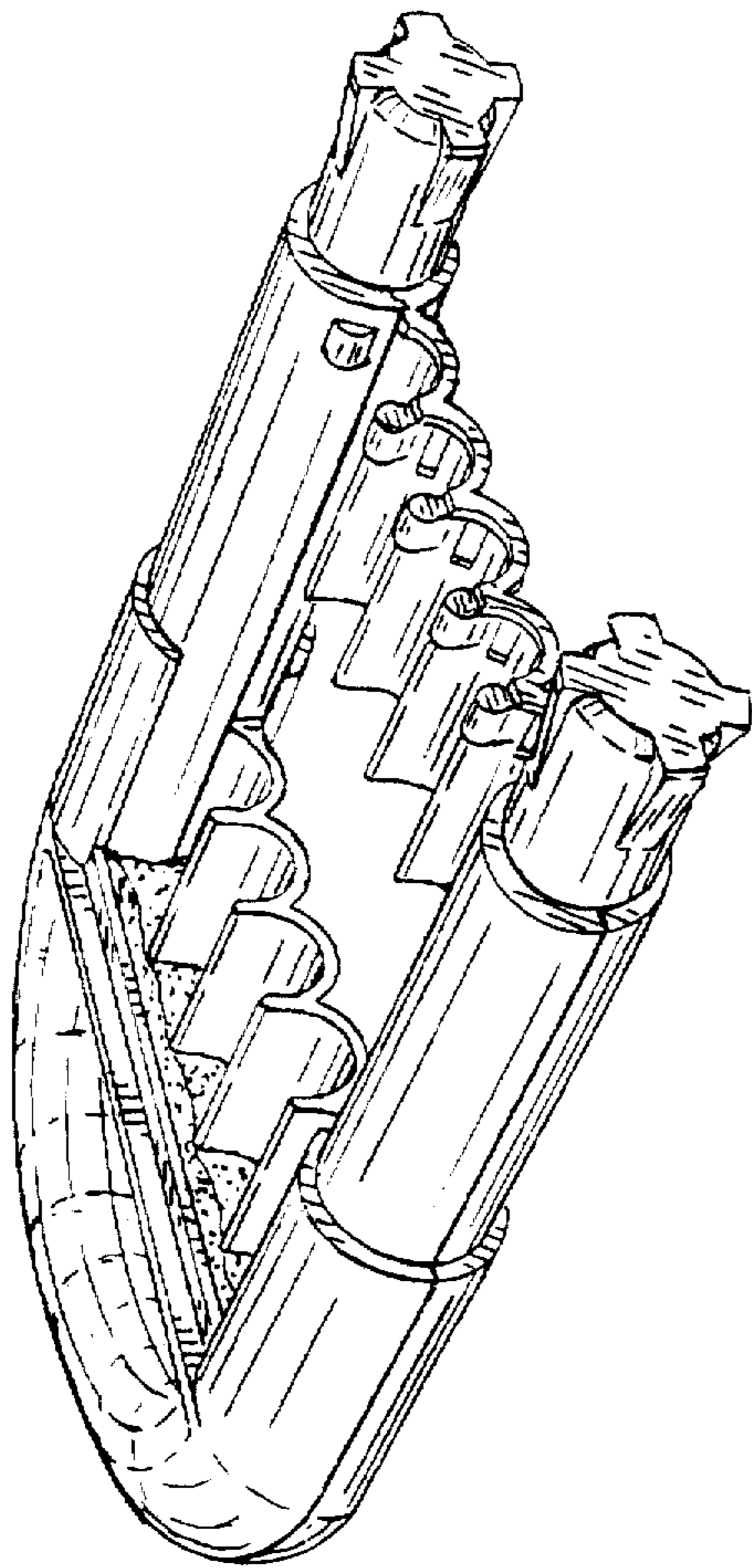


FIG. 2

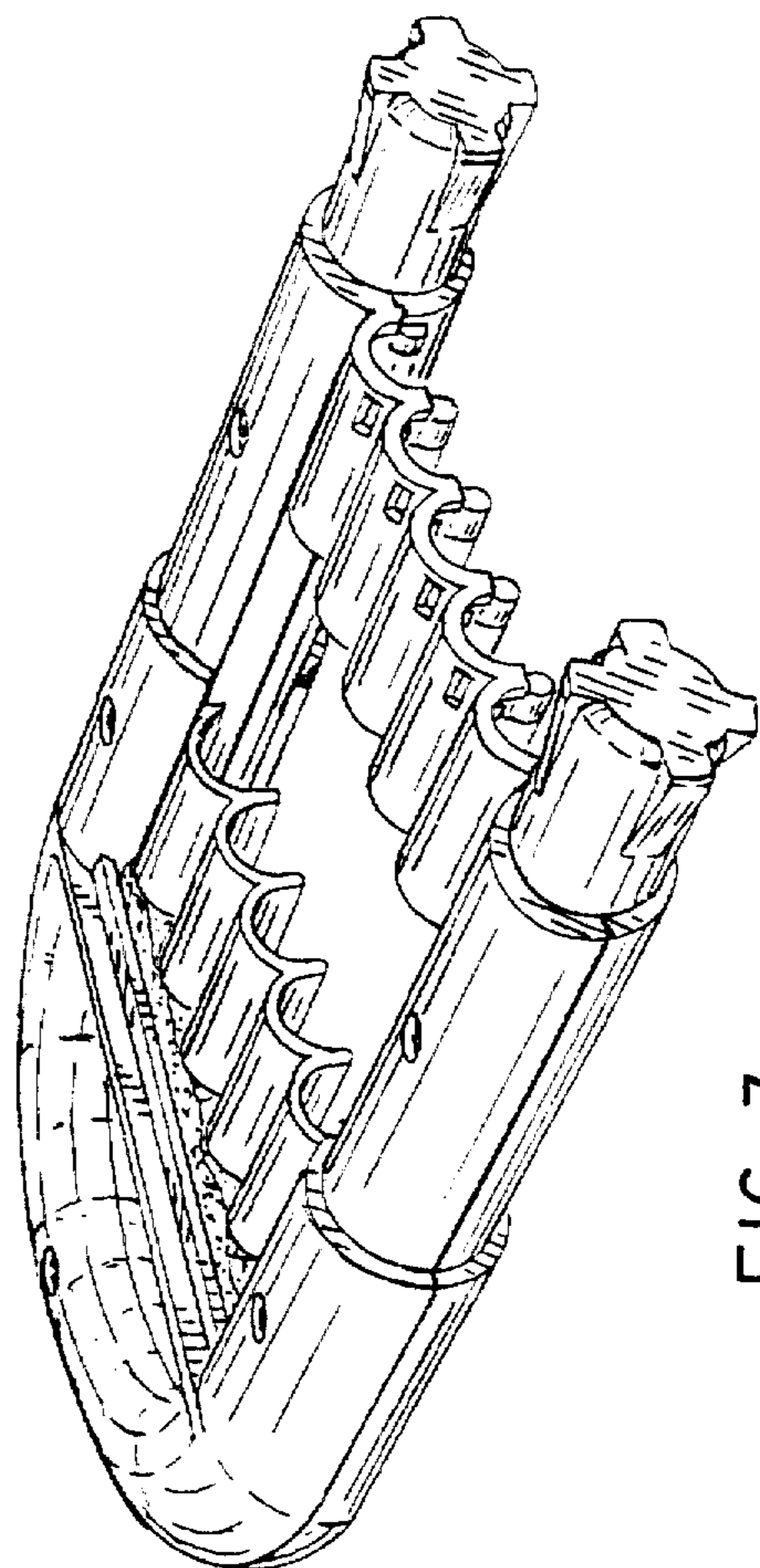


FIG. 3

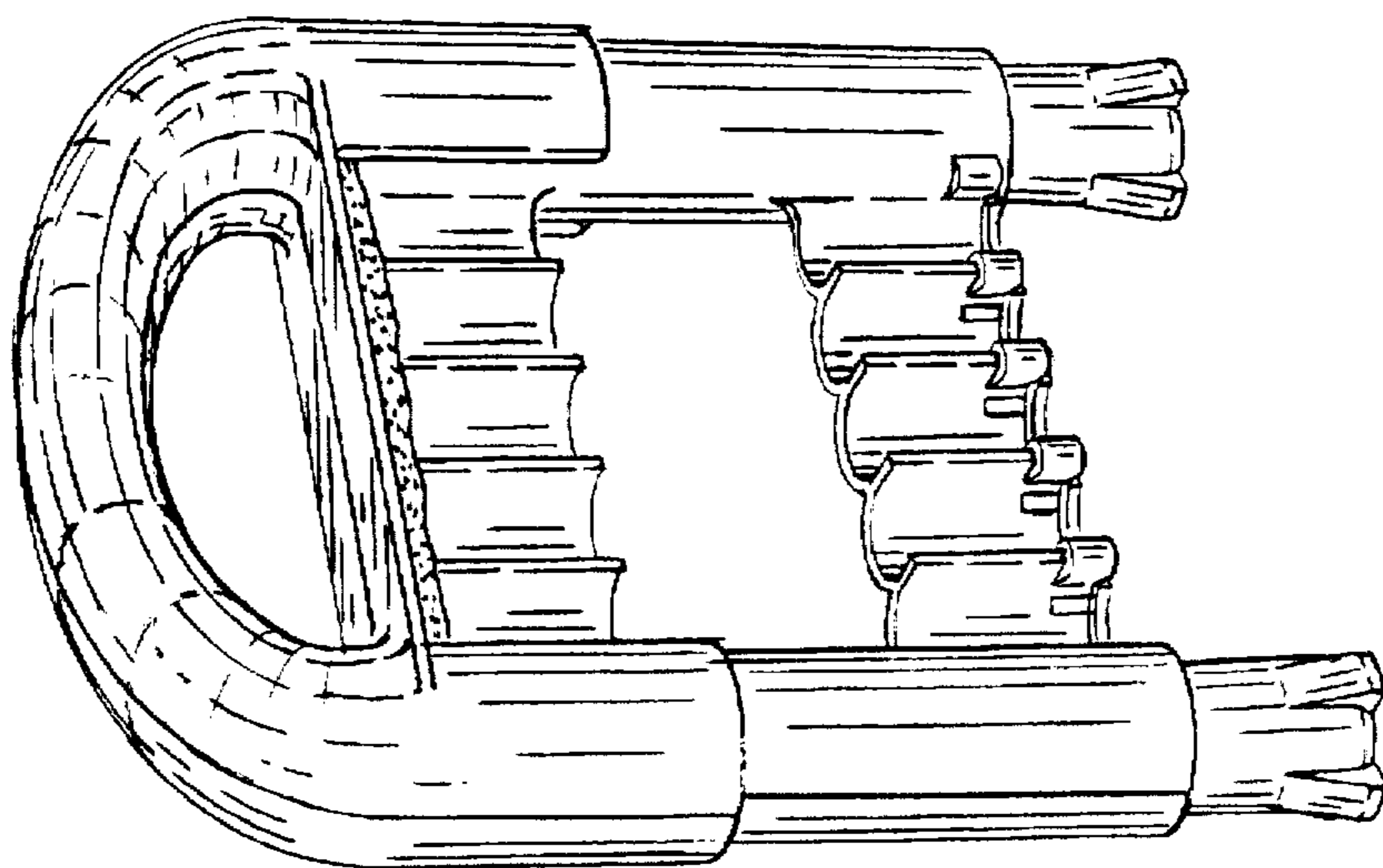


FIG. 1

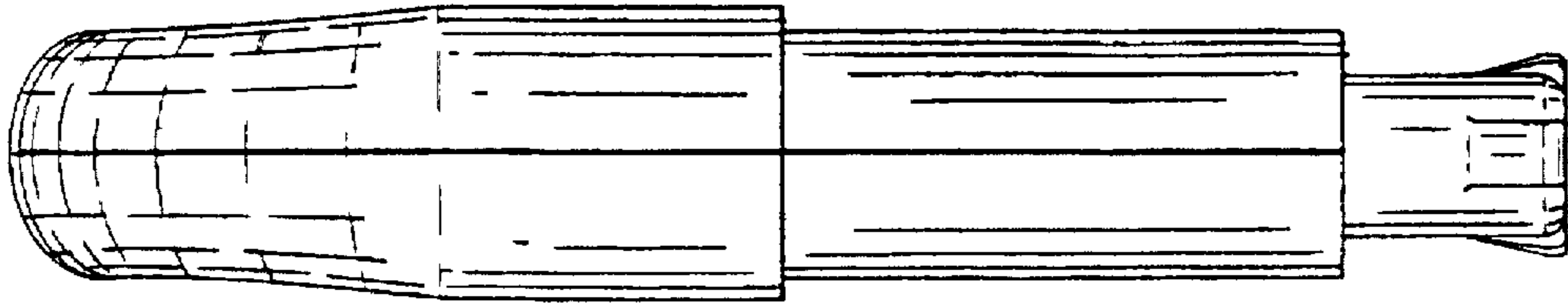


FIG. 6

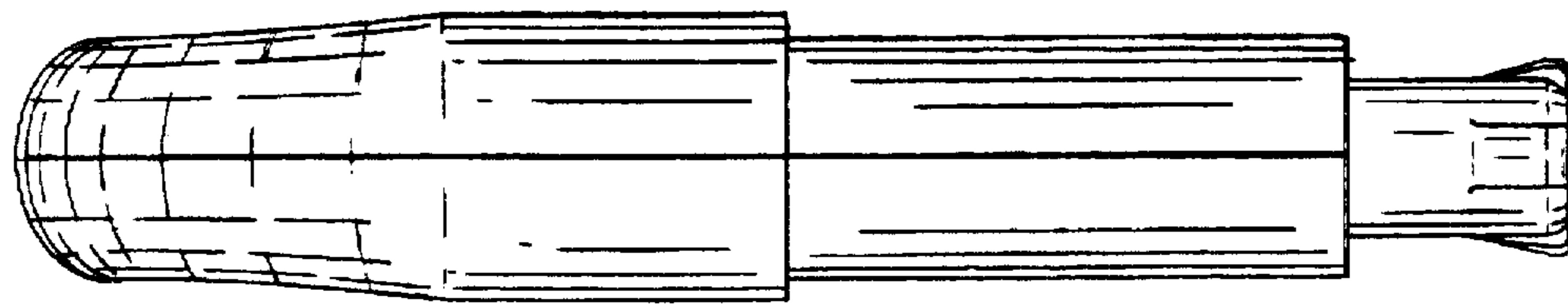


FIG. 5

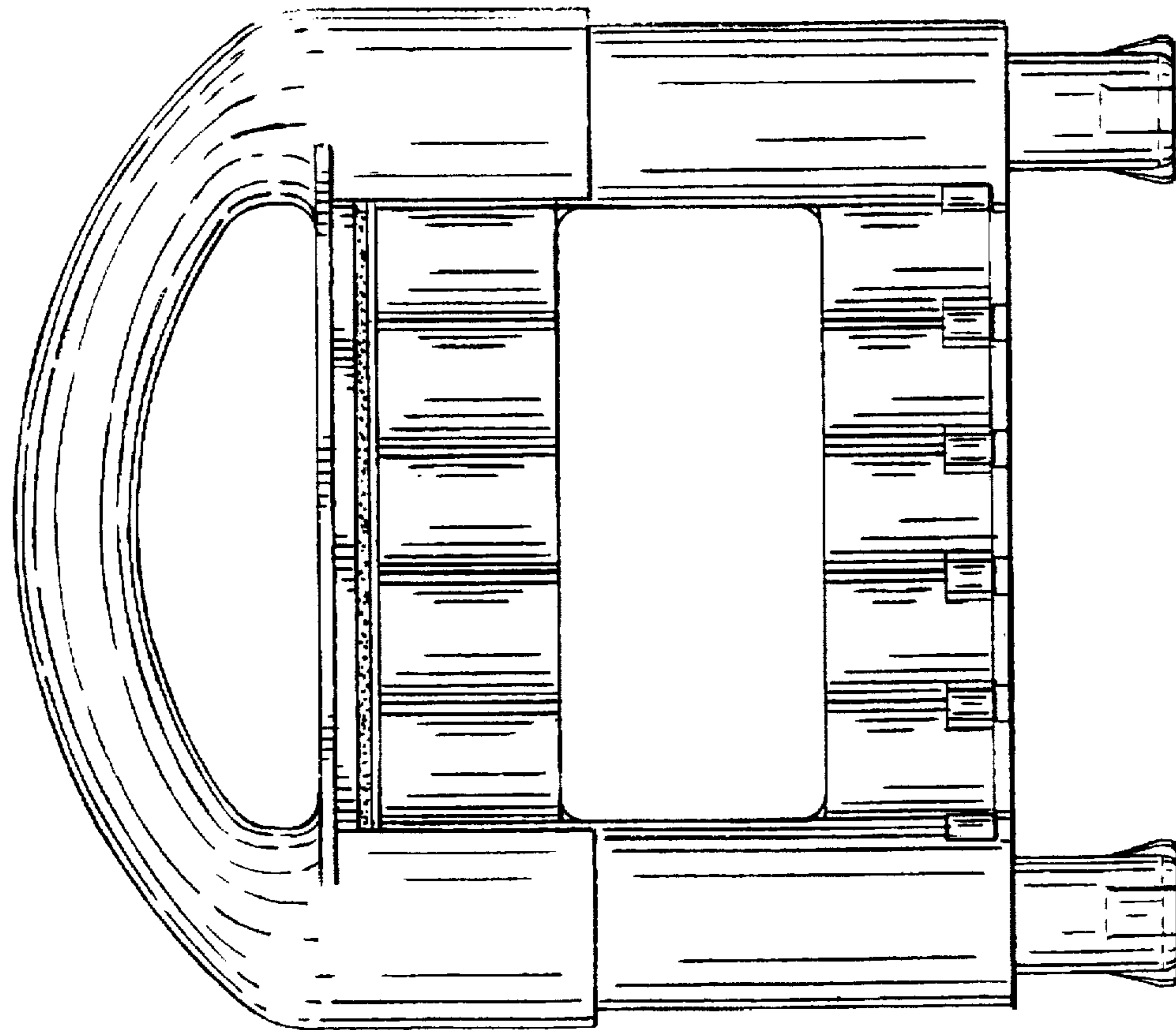


FIG. 4

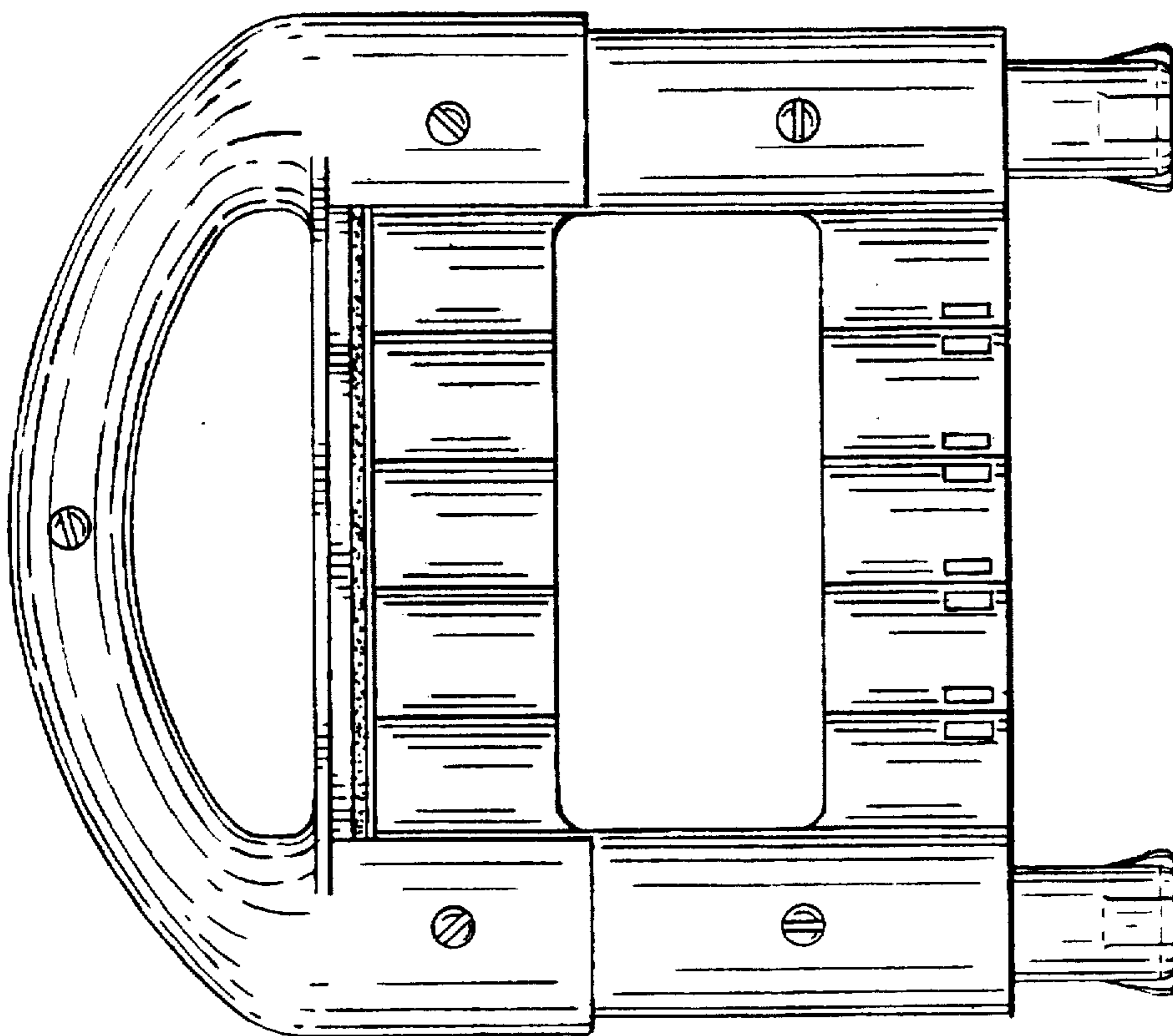


FIG. 7

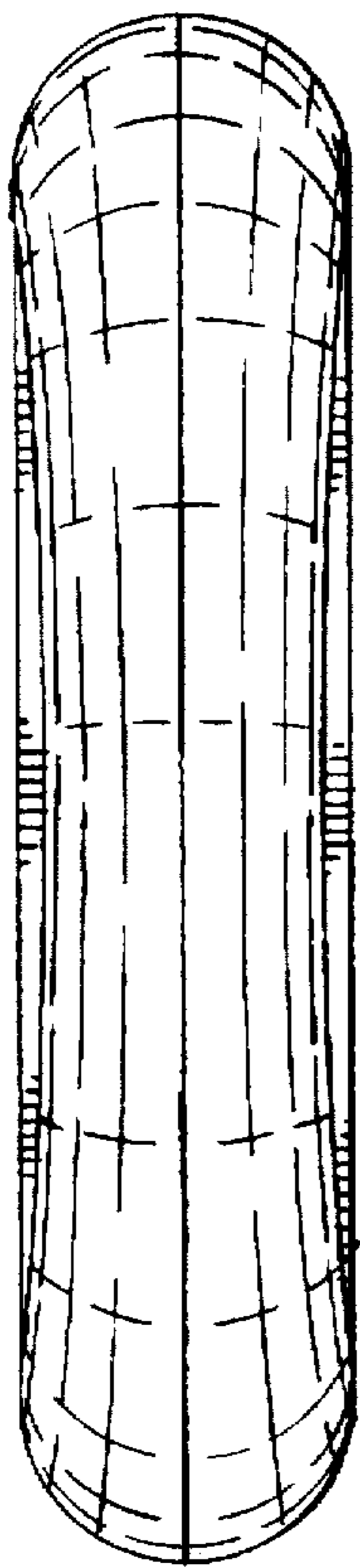


FIG. 8

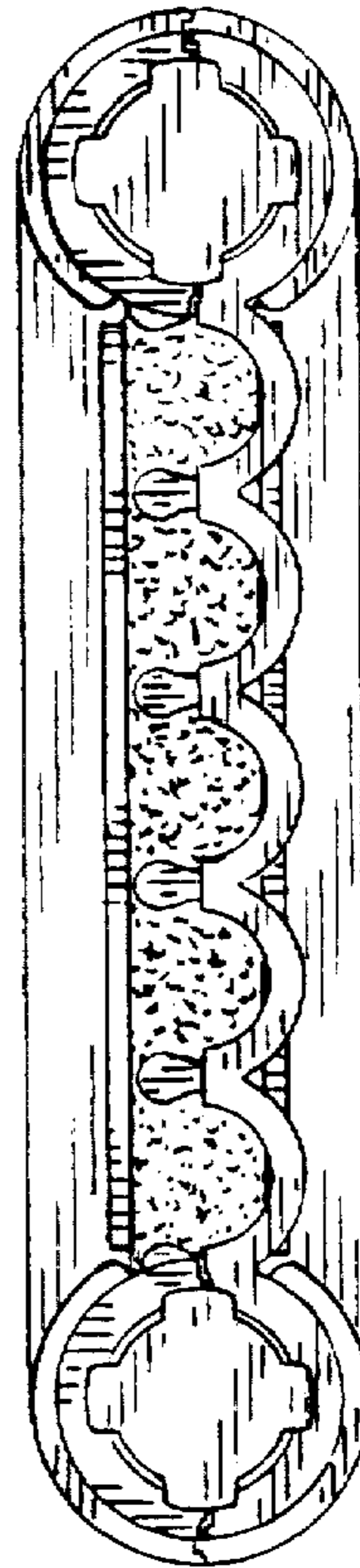


FIG. 9

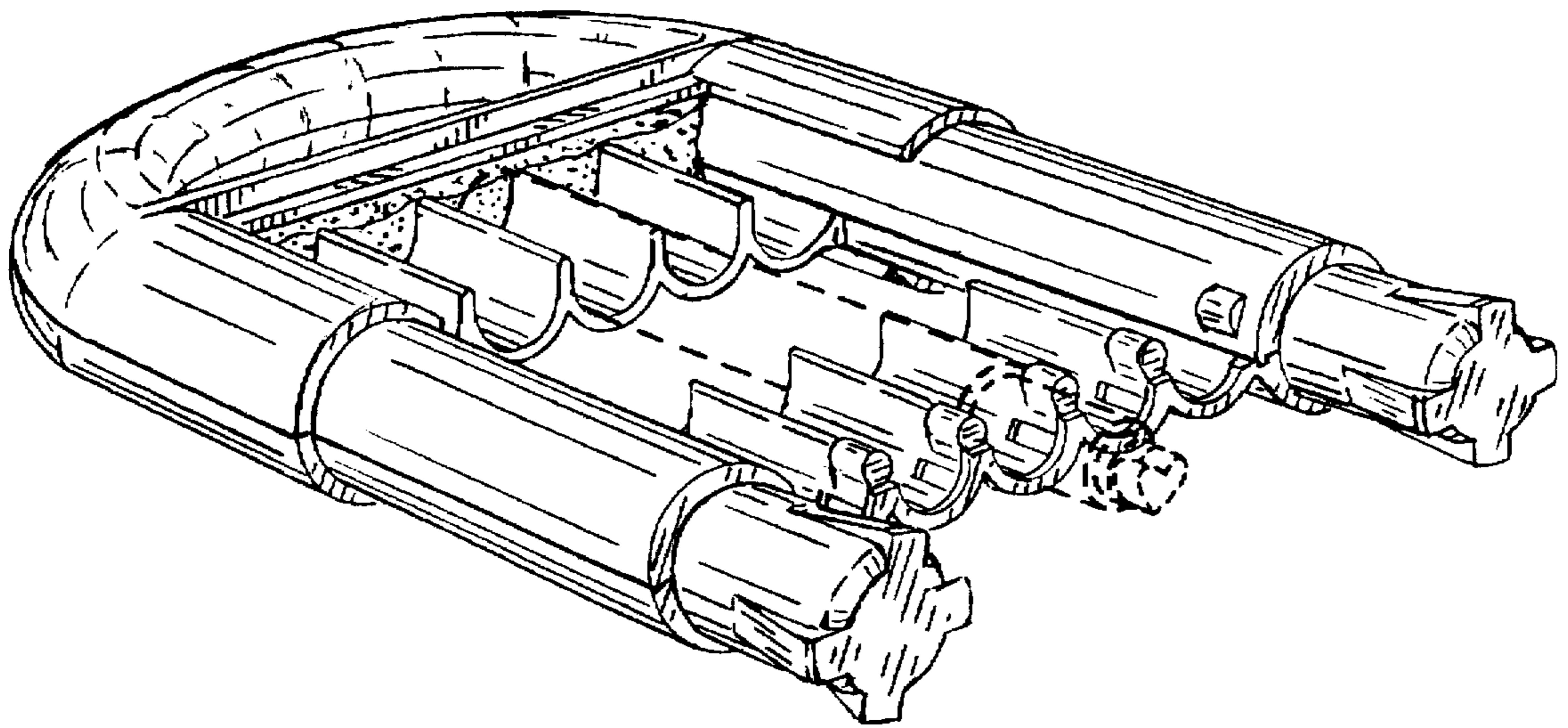


FIG. 10